



US00D469754S

(12) **United States Design Patent**  
**Lewis**

(10) **Patent No.:** **US D469,754 S**  
(45) **Date of Patent:** **\*\* Feb. 4, 2003**

(54) **COMPONENT LOUDSPEAKER SYSTEM**

(75) Inventor: **David Lewis**, Copenhagen (DK)  
(73) Assignee: **Bang & Olufsen A/S**, Postboks Struer (DK)  
(\*\*) Term: **14 Years**

(21) Appl. No.: **29/143,913**  
(22) Filed: **Jun. 21, 2001**

(30) **Foreign Application Priority Data**

Jun. 18, 2001 (DK) ..... MA 2001 00604

(51) **LOC (7) Cl.** ..... **14-01**  
(52) **U.S. Cl.** ..... **D14/215**  
(58) **Field of Search** ..... D14/204, 207, D14/209-216; 181/144-145, 147-148, 150, 153, 157, 198-199; 381/300-302, 306, 333, 345, 361-364, 386-388

(56) **References Cited**

**U.S. PATENT DOCUMENTS**

D290,697 S \* 7/1987 Tanaka et al. .... D14/214  
D329,647 S \* 9/1992 Frank ..... D14/215  
D422,593 S \* 4/2000 Ito et al. .... D14/214  
D436,946 S \* 1/2001 Lin ..... D14/215

\* cited by examiner

*Primary Examiner*—Nanda Bondade  
(74) *Attorney, Agent, or Firm*—Darby & Darby

(57) **CLAIM**

The ornamental design for a component loudspeaker system, as shown.

**DESCRIPTION**

FIG. 1 is a front perspective view of an ornamental design for a component loudspeaker system in accordance with the present invention;

FIG. 2 is a rear perspective view thereof;  
FIG. 3 is a front view thereof;  
FIG. 4 is a rear view thereof;  
FIG. 5 is a top plan view thereof;  
FIG. 6 is a bottom plan view thereof;  
FIG. 7 is a front perspective view of a first component of the loudspeaker system, shown separately for clarity of description.  
FIG. 8 is a rear perspective view thereof;  
FIG. 9 is a front view thereof;  
FIG. 10 is a rear view thereof;  
FIG. 11 is a top plan view thereof;  
FIG. 12 is a bottom plan view thereof;  
FIG. 13 is a right side view thereof;  
FIG. 14 is a left side view thereof;  
FIG. 15 is a front perspective view of a second component of the loudspeaker system in accordance with the present invention, shown separately for clarity of description.  
FIG. 16 is a rear perspective view thereof;  
FIG. 17 is a front view thereof;  
FIG. 18 is a rear view thereof;  
FIG. 19 is a right side view thereof;  
FIG. 20 is a left side view thereof;  
FIG. 21 is a top plan view thereof; and,  
FIG. 22 is a bottom plan view thereof.

**1 Claim, 10 Drawing Sheets**

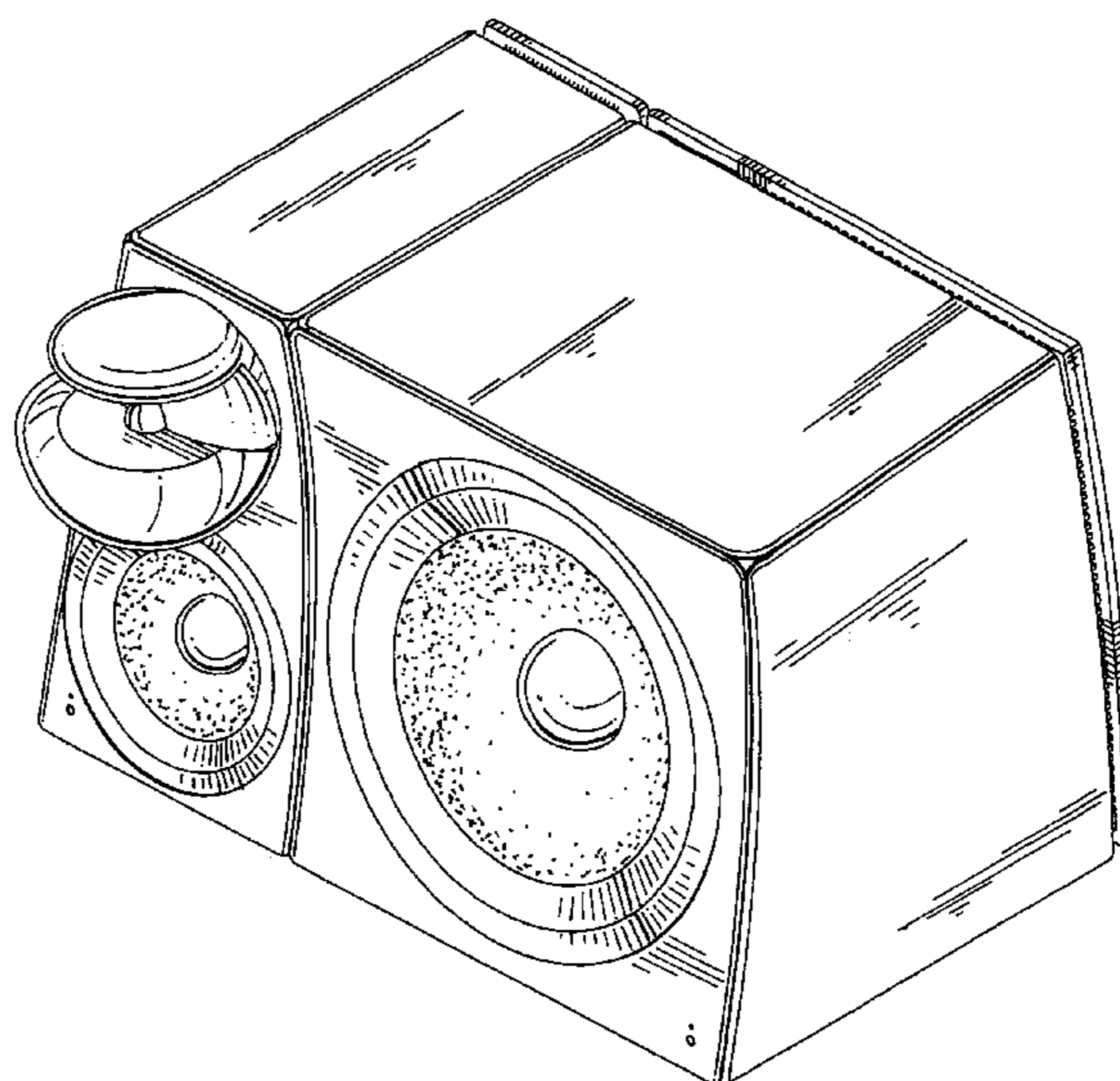


FIG. 1

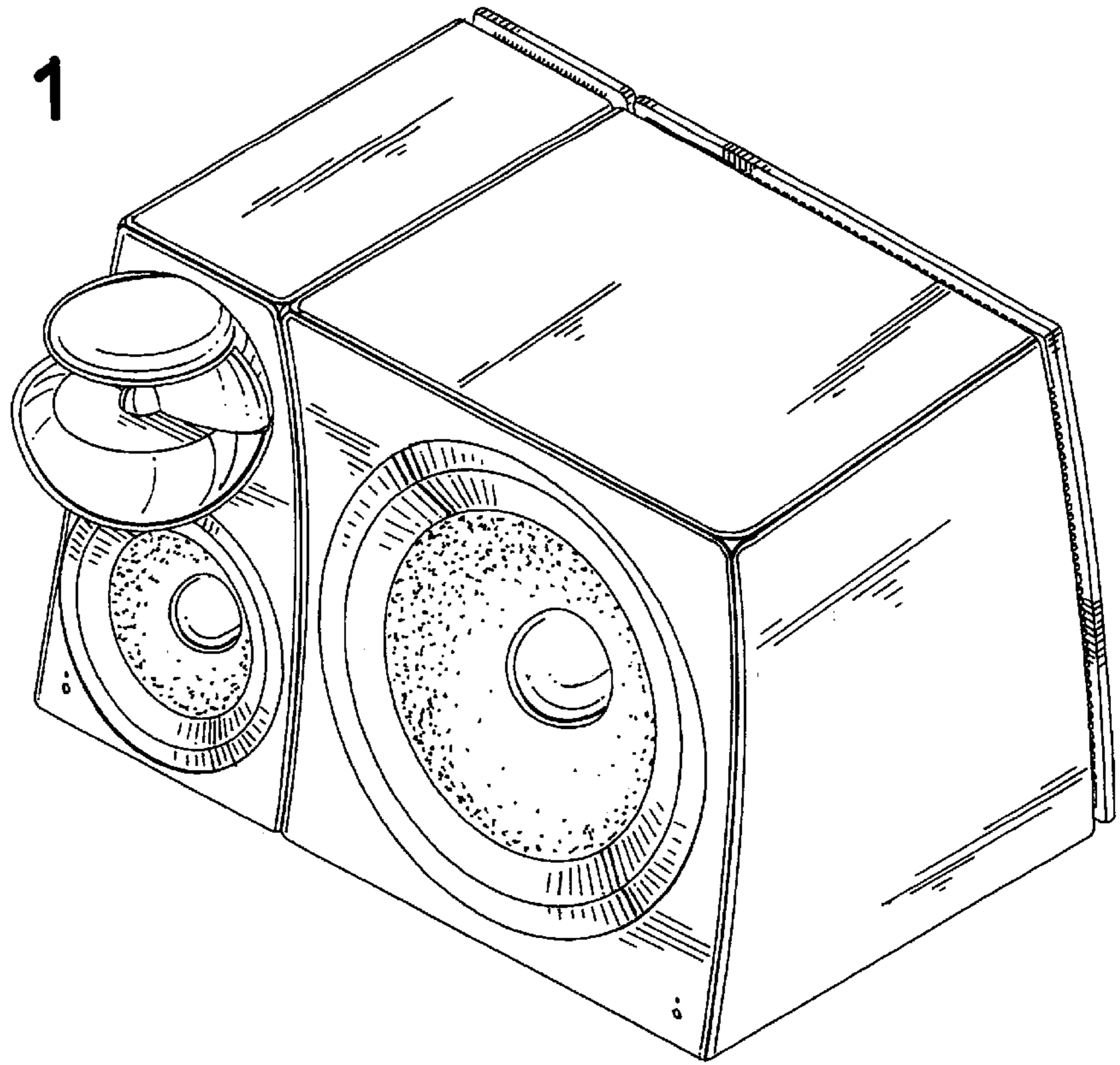


FIG. 2

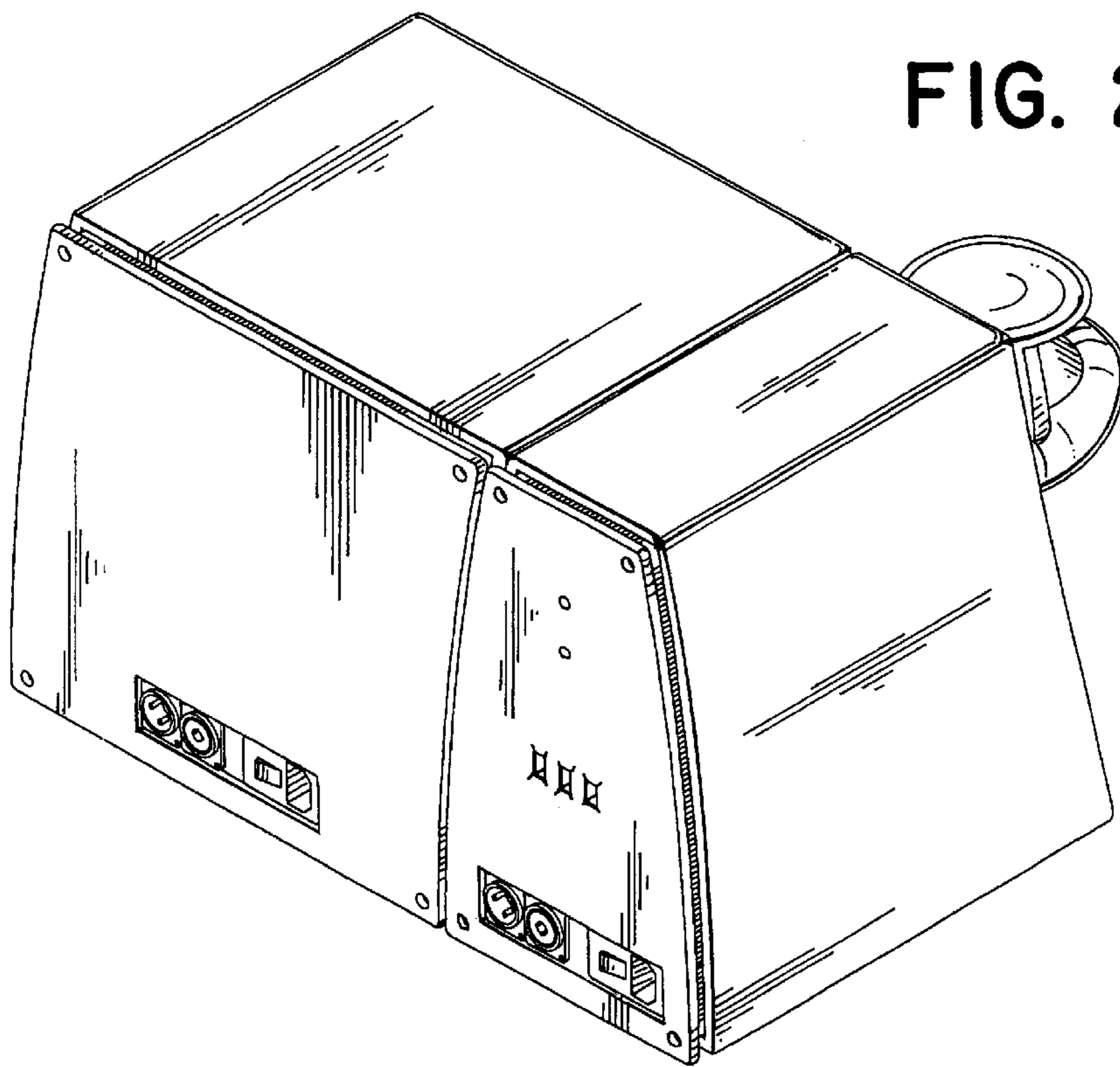


FIG. 3

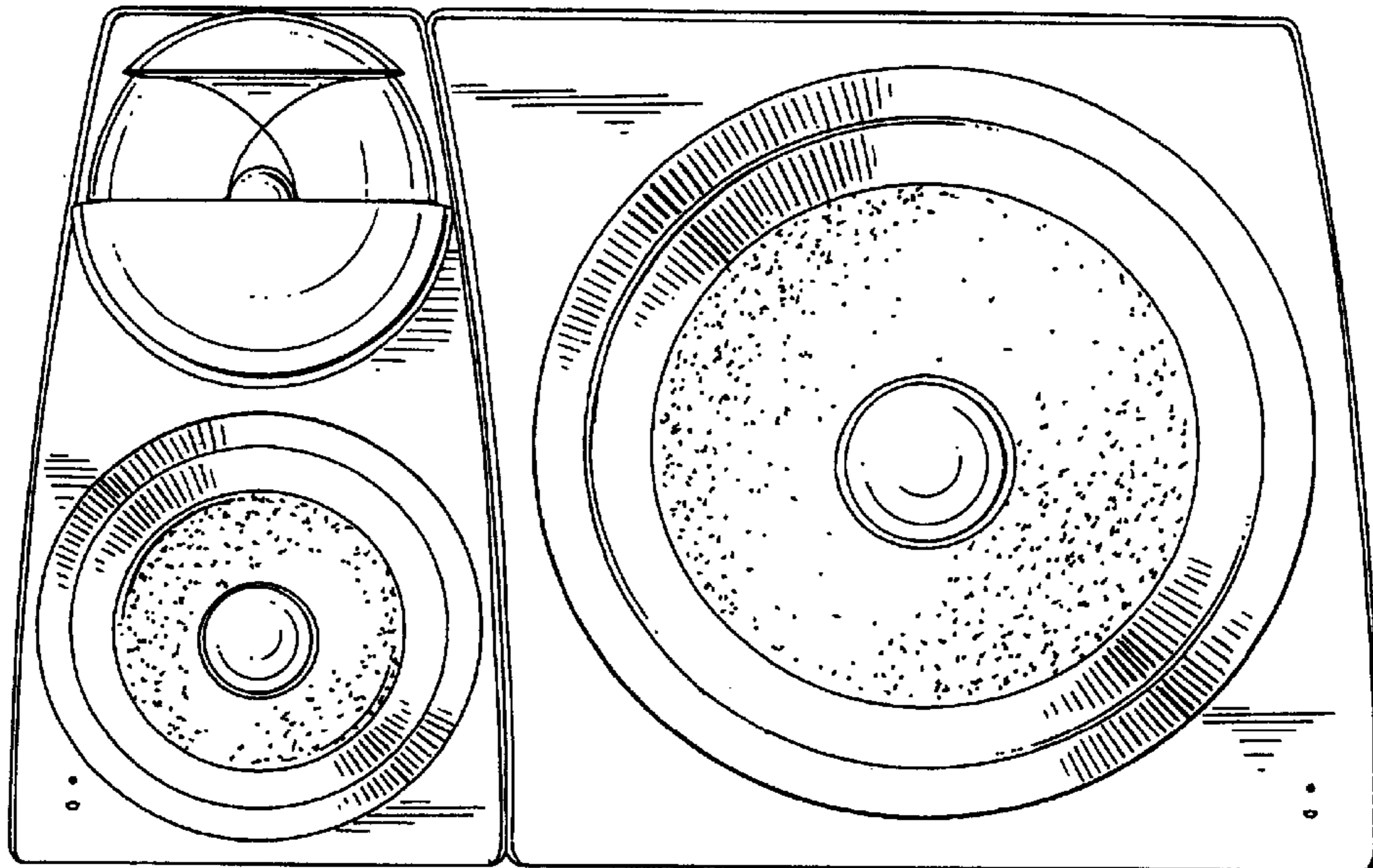


FIG. 4

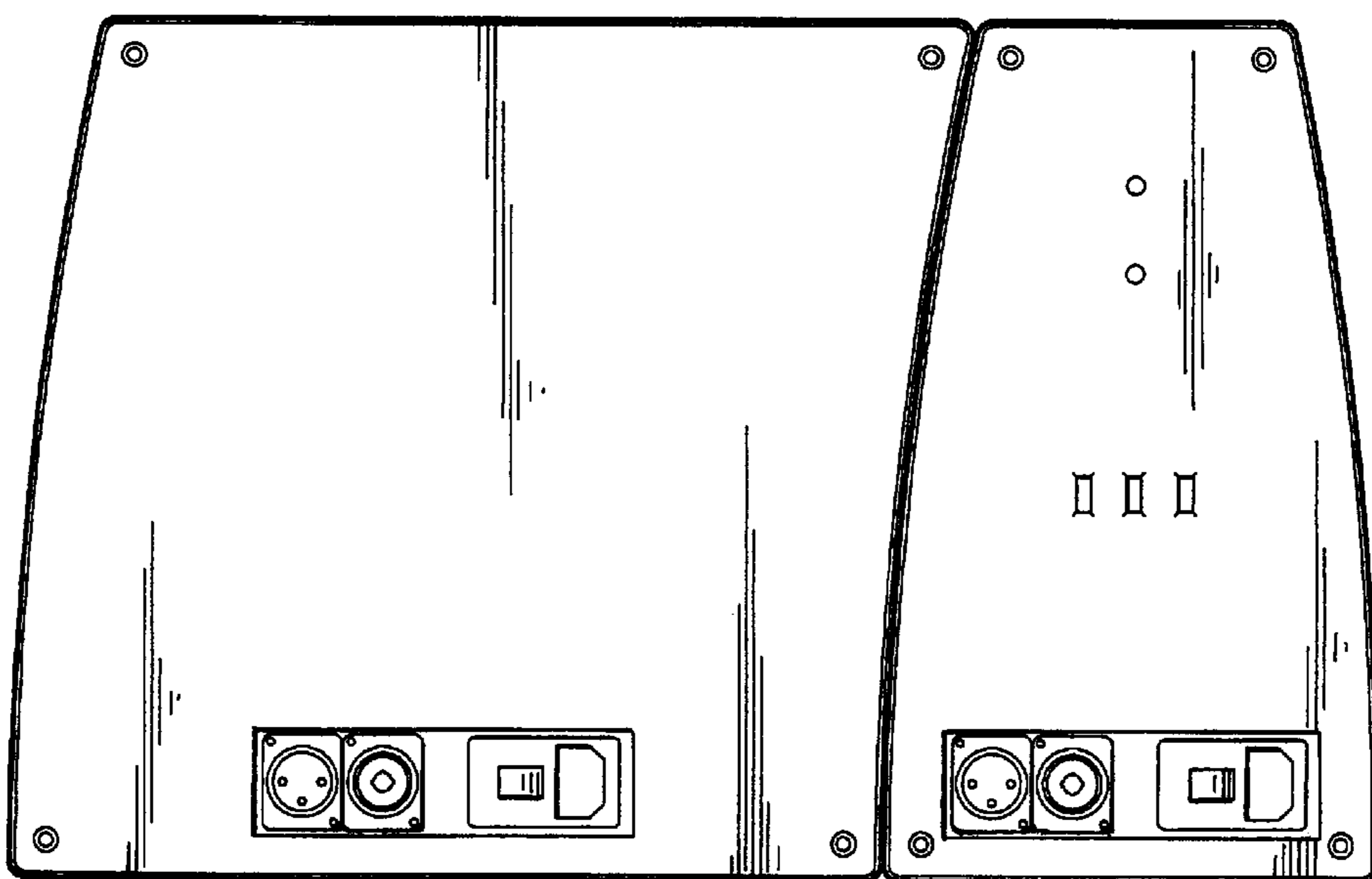




FIG. 5

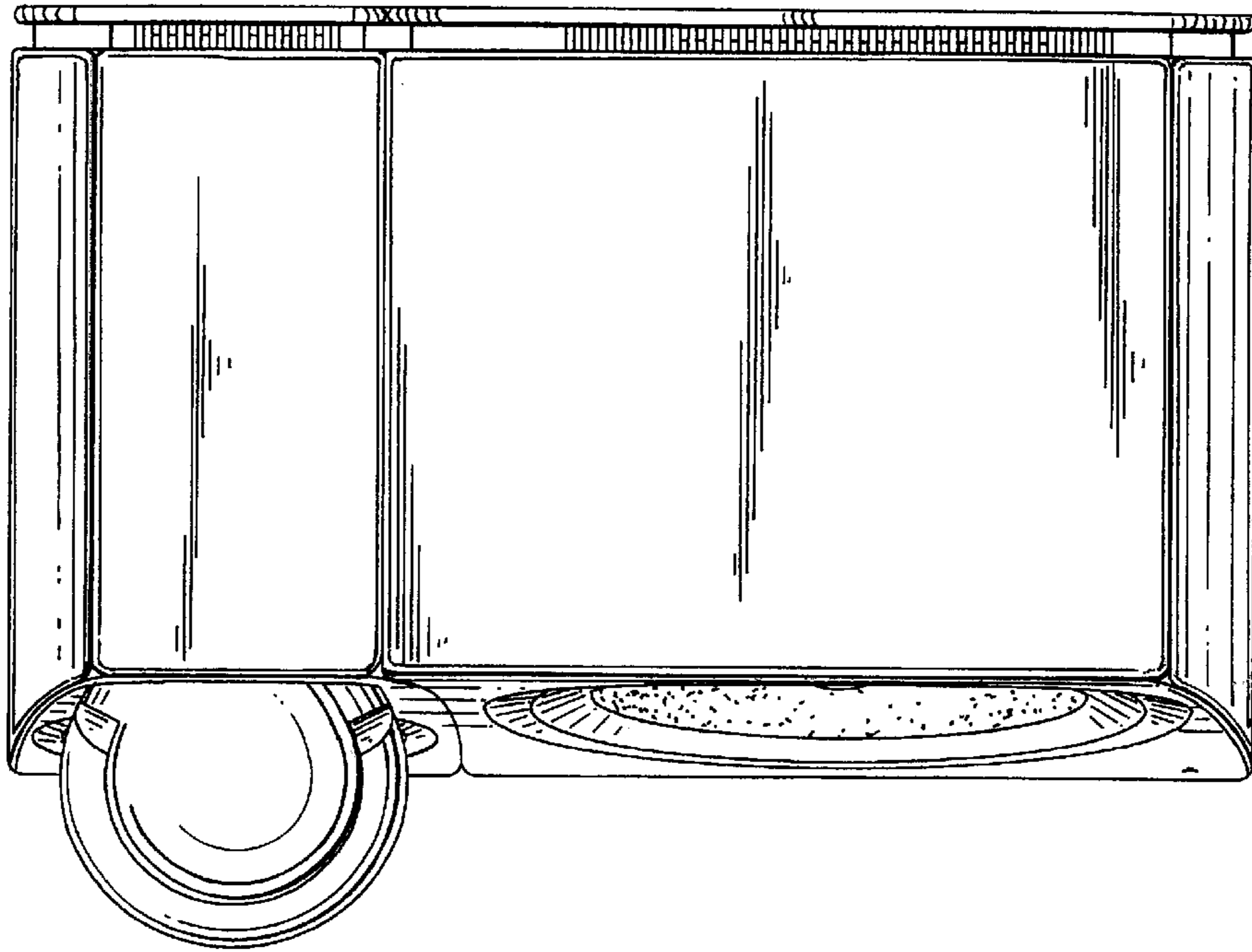


FIG. 6

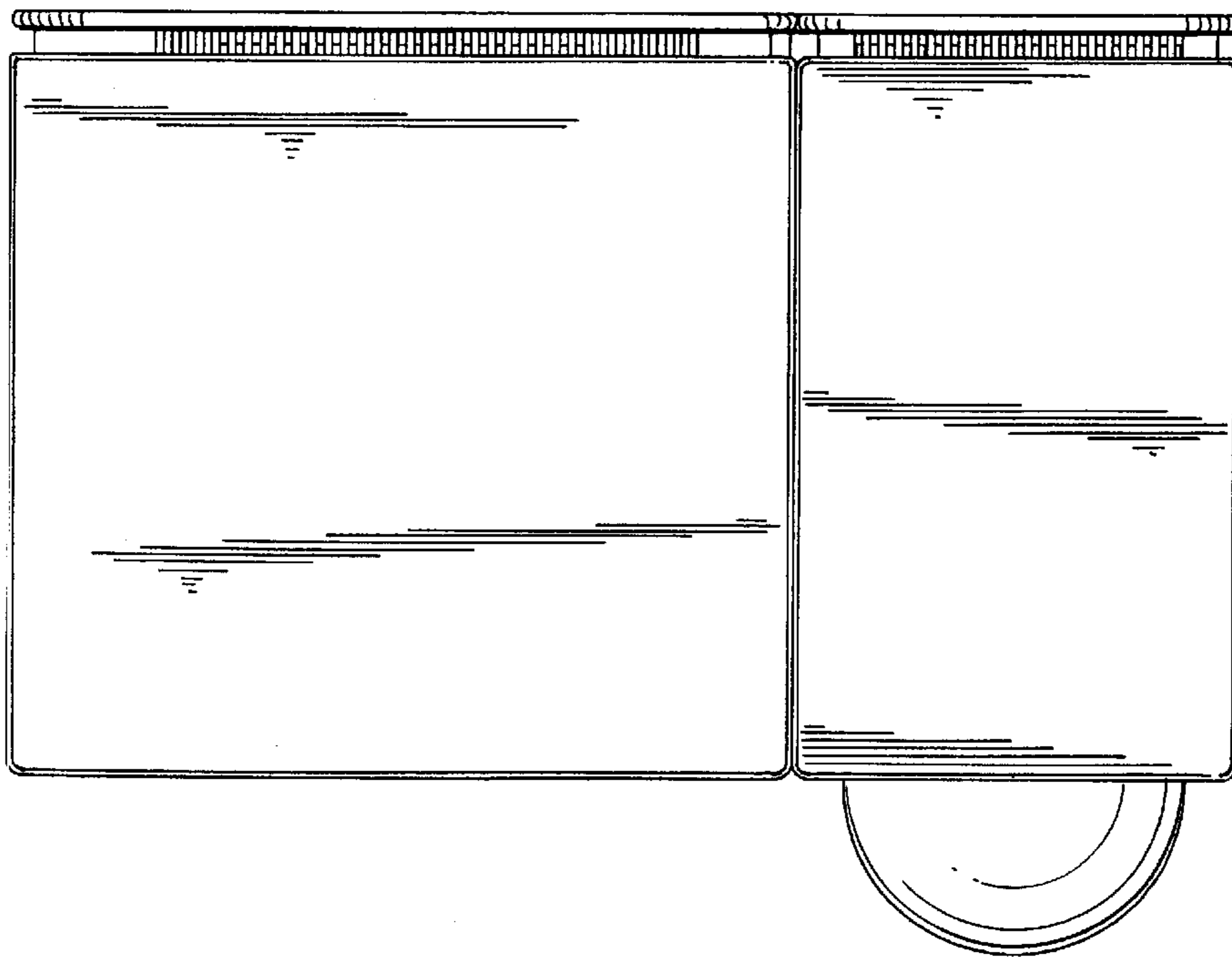


FIG. 7

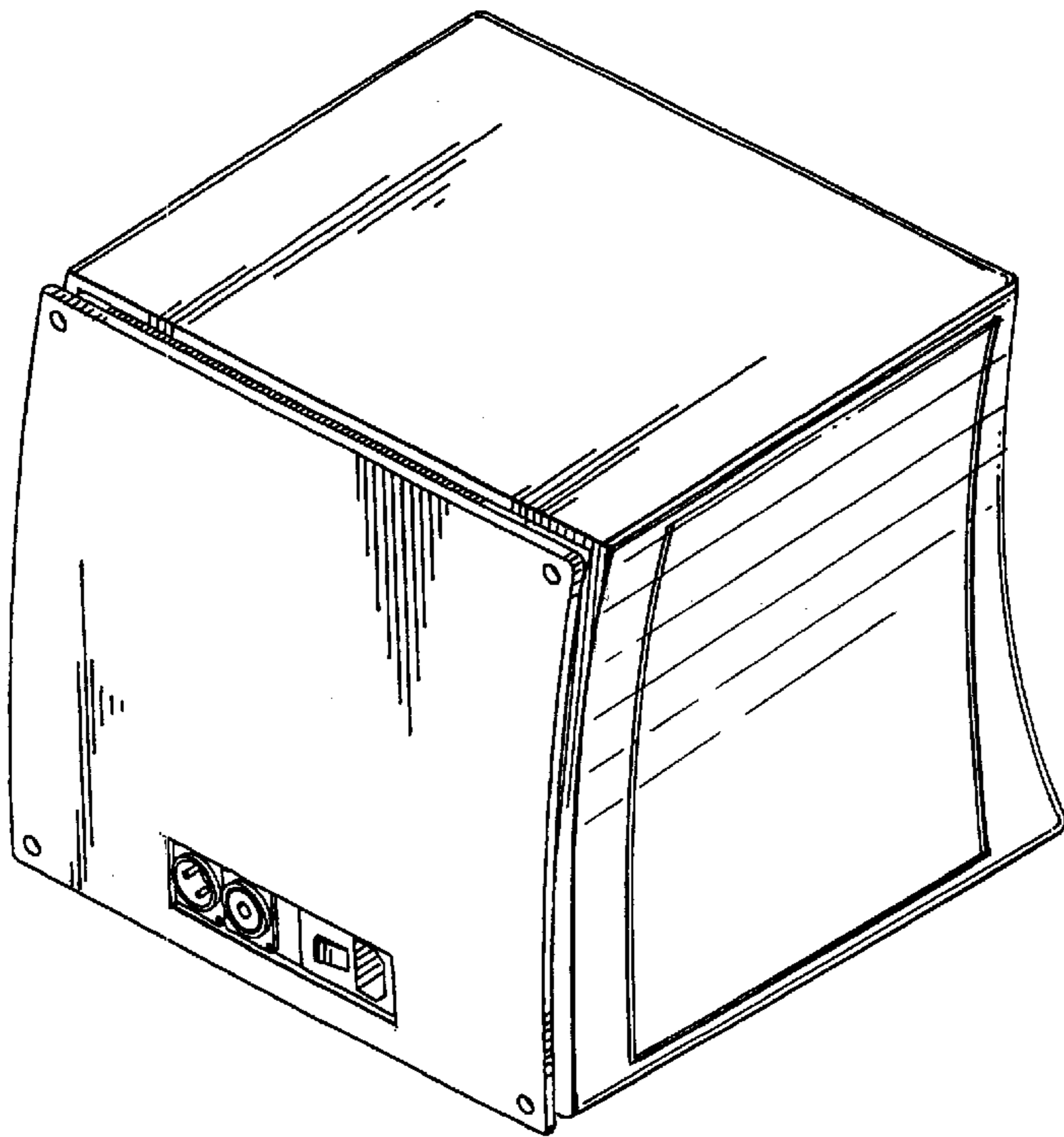
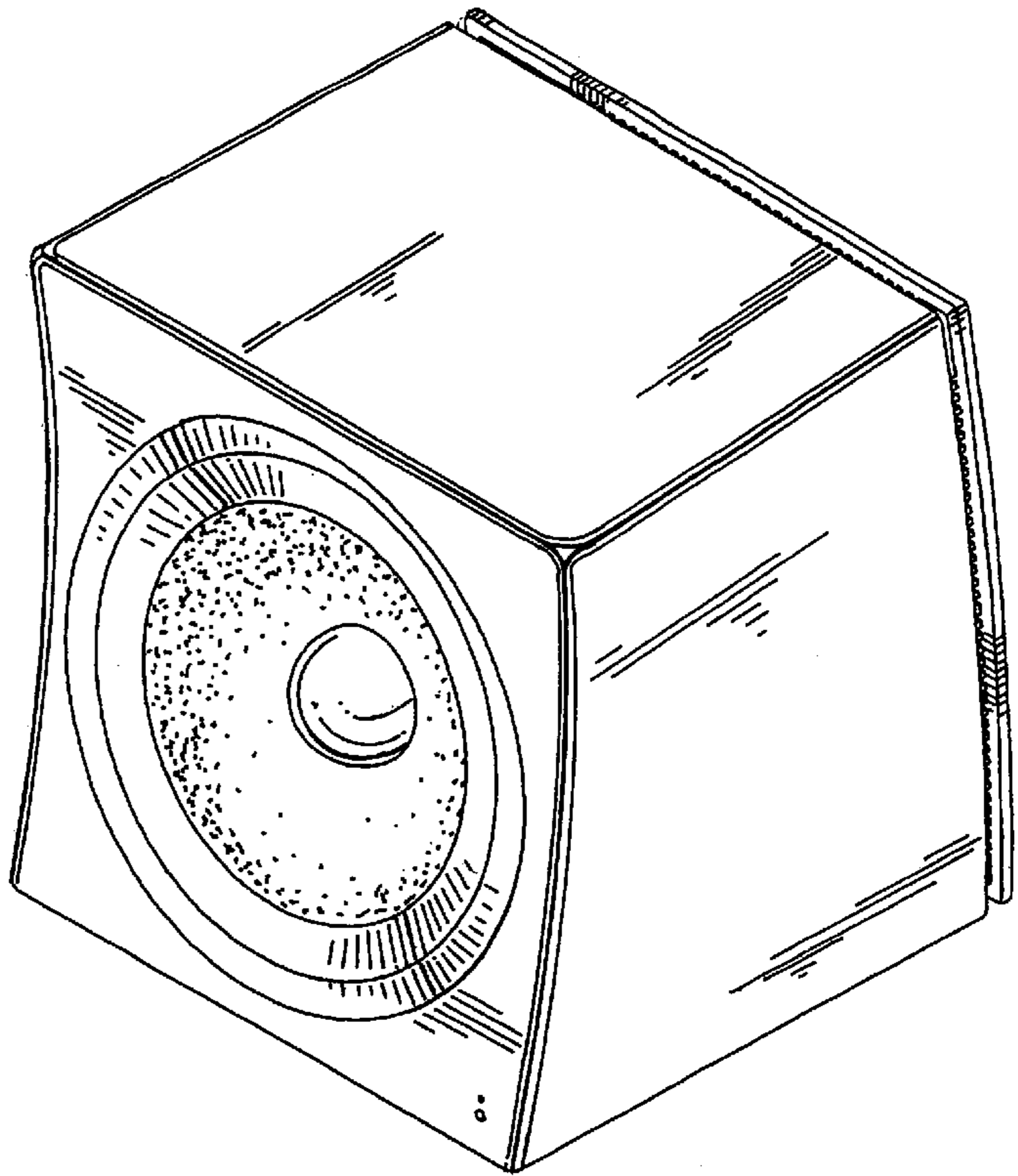


FIG. 8

FIG. 9

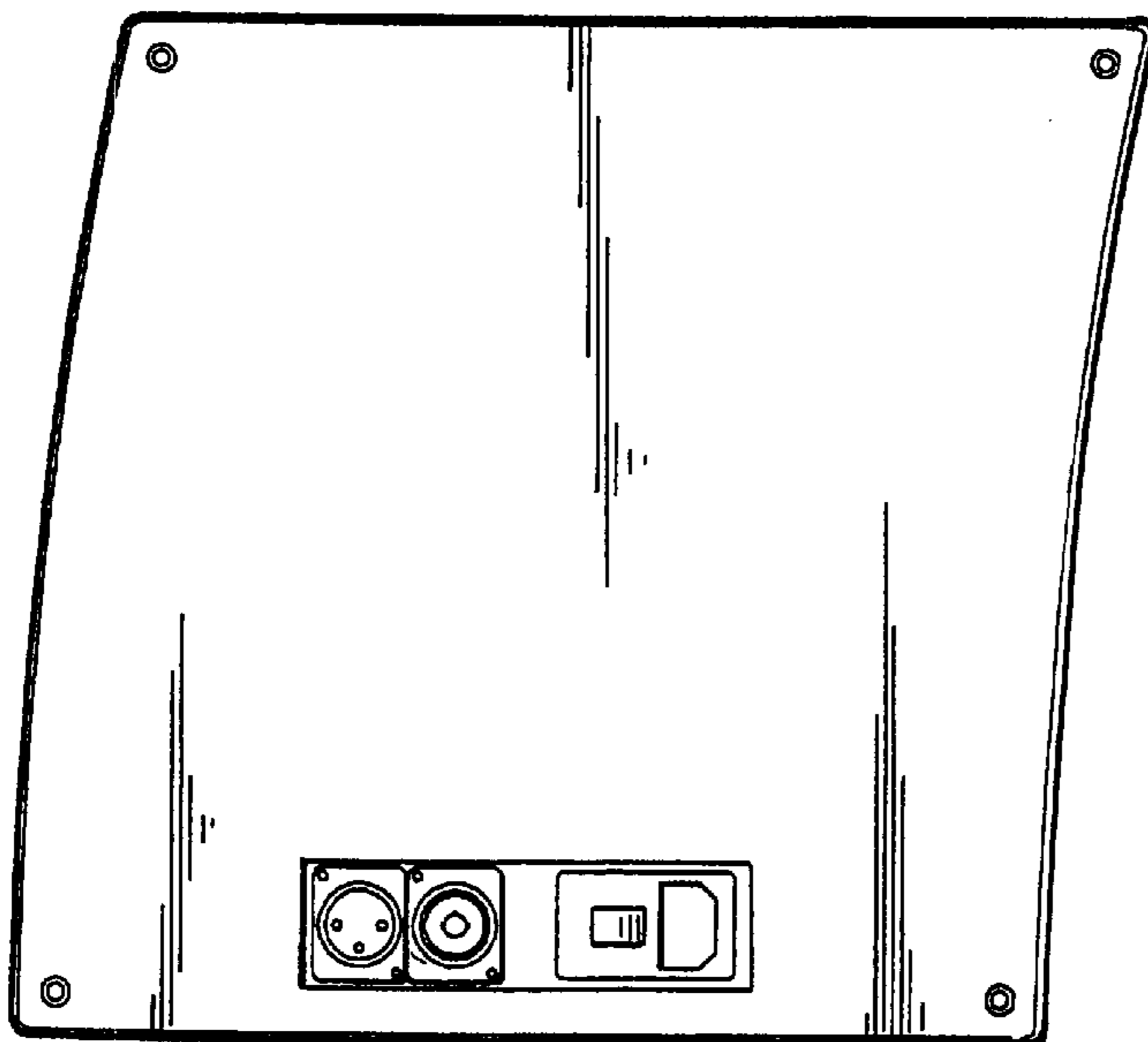
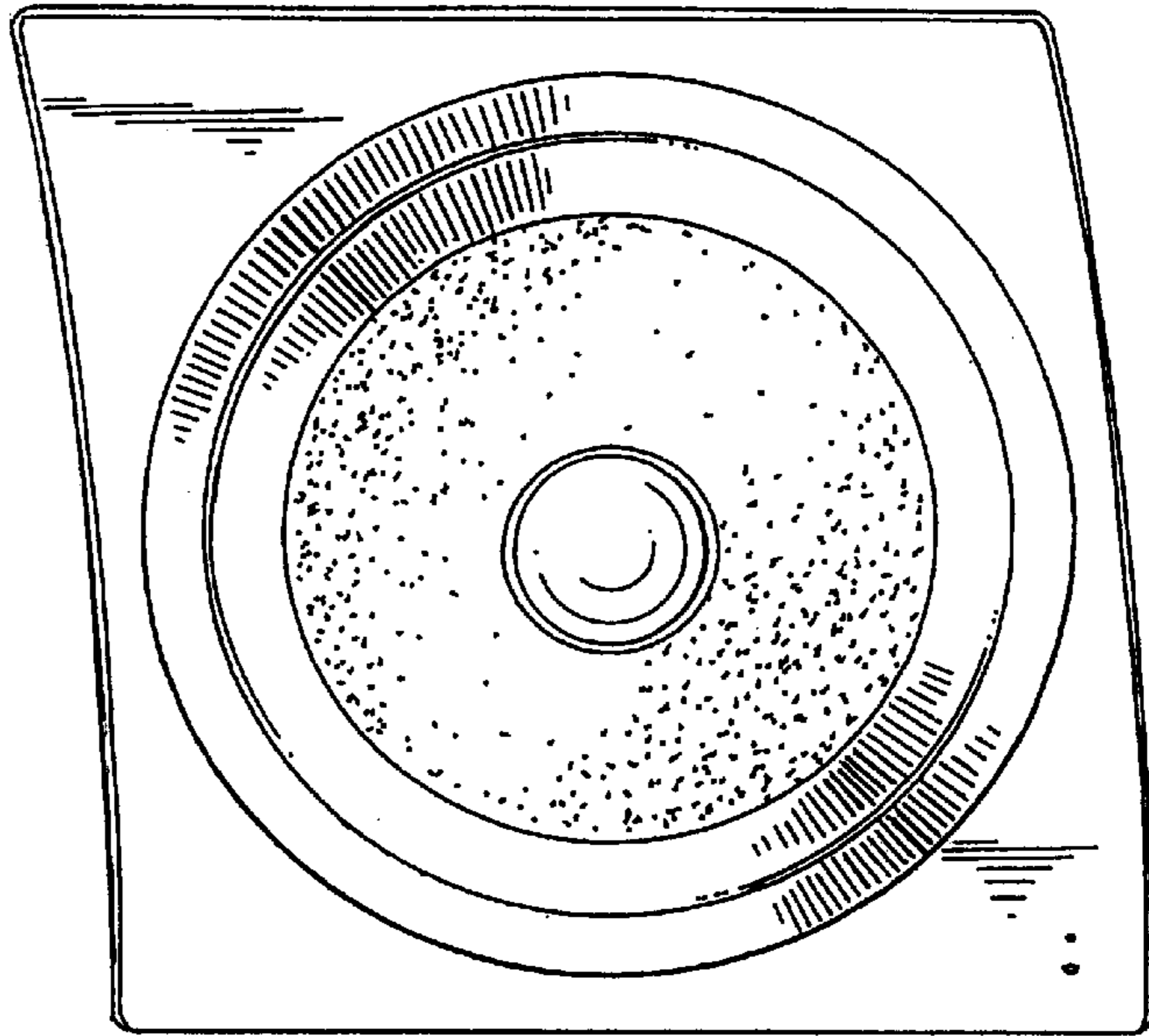


FIG. 10

FIG. 11

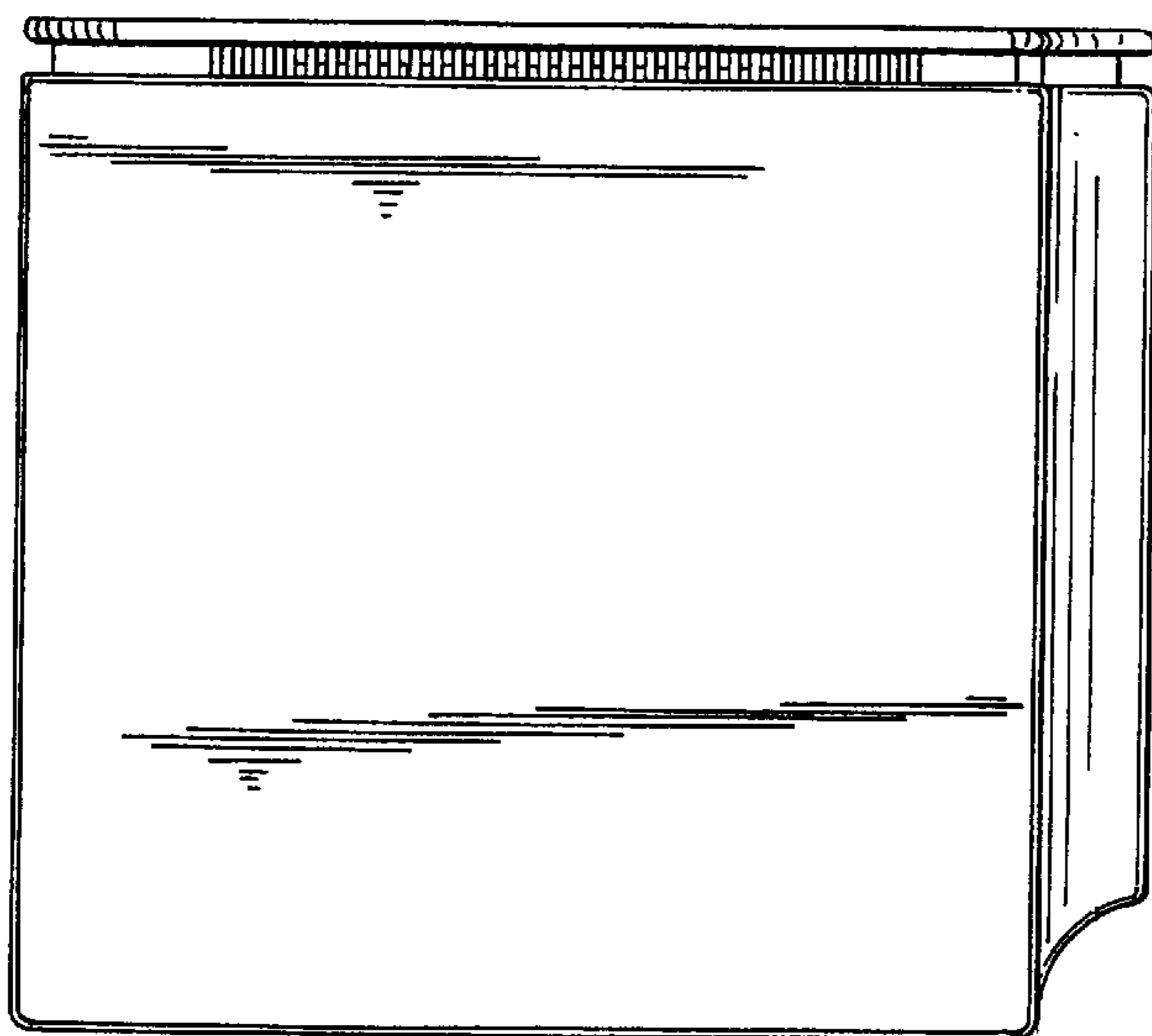
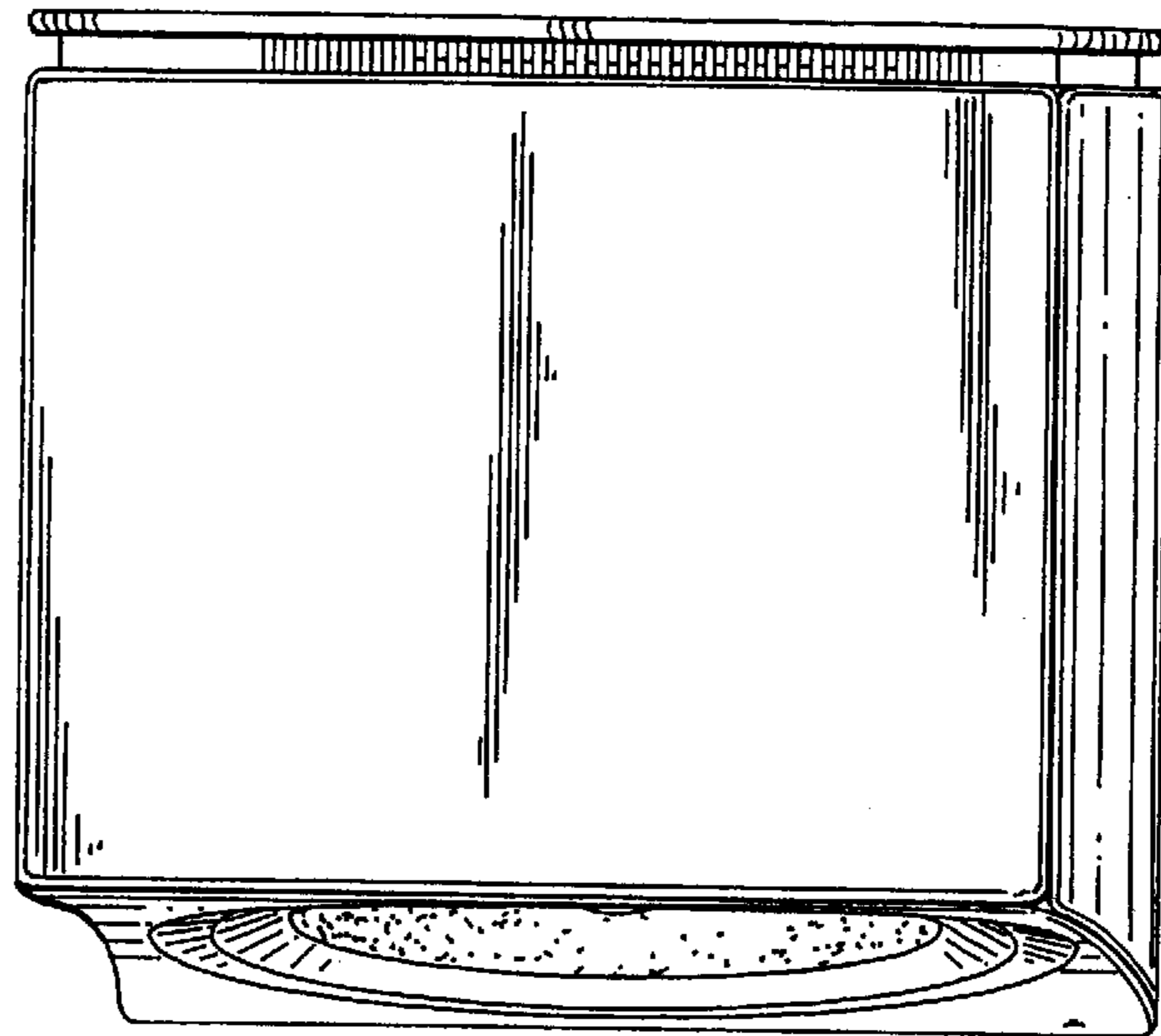


FIG. 12

FIG. 13

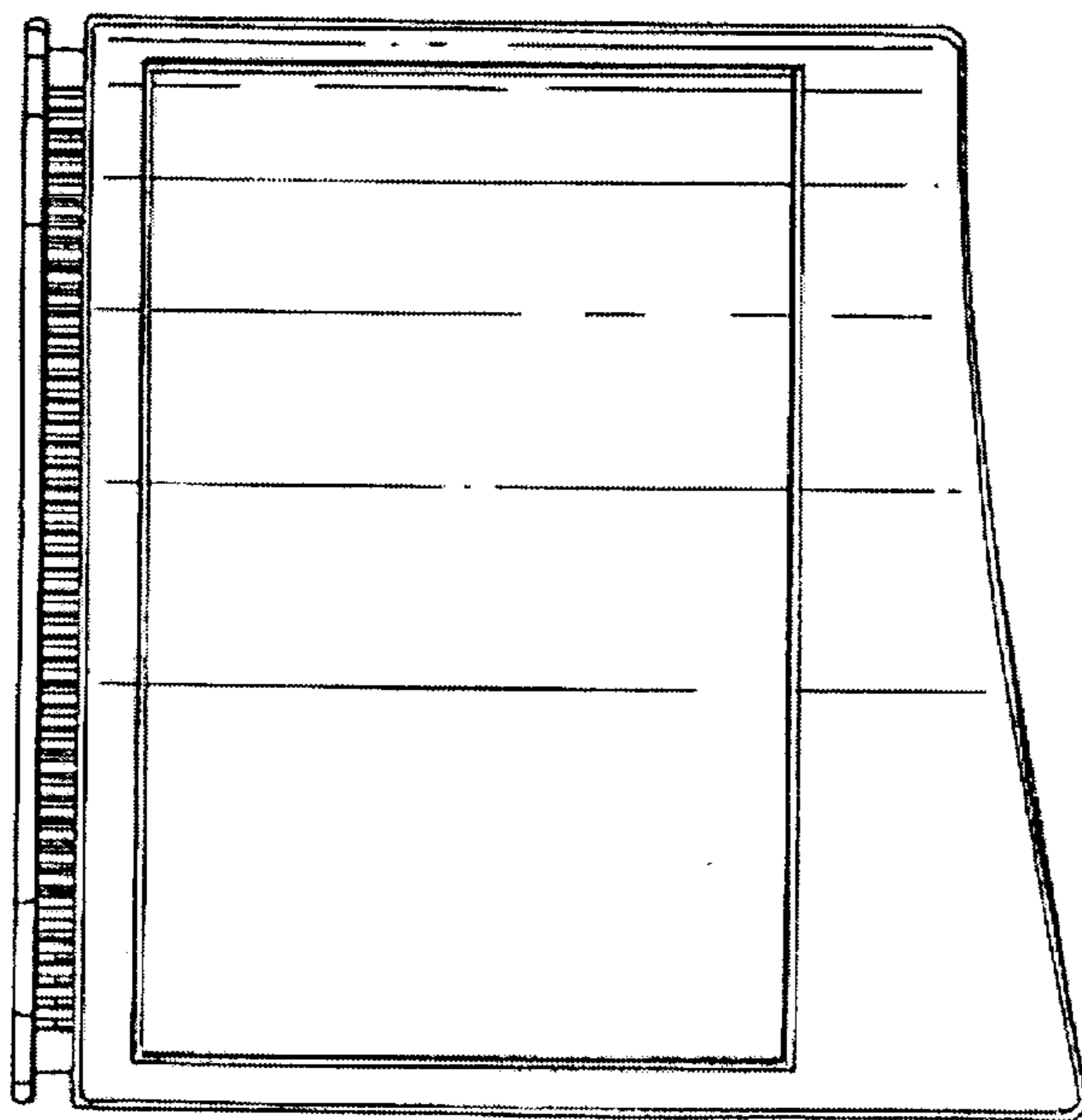
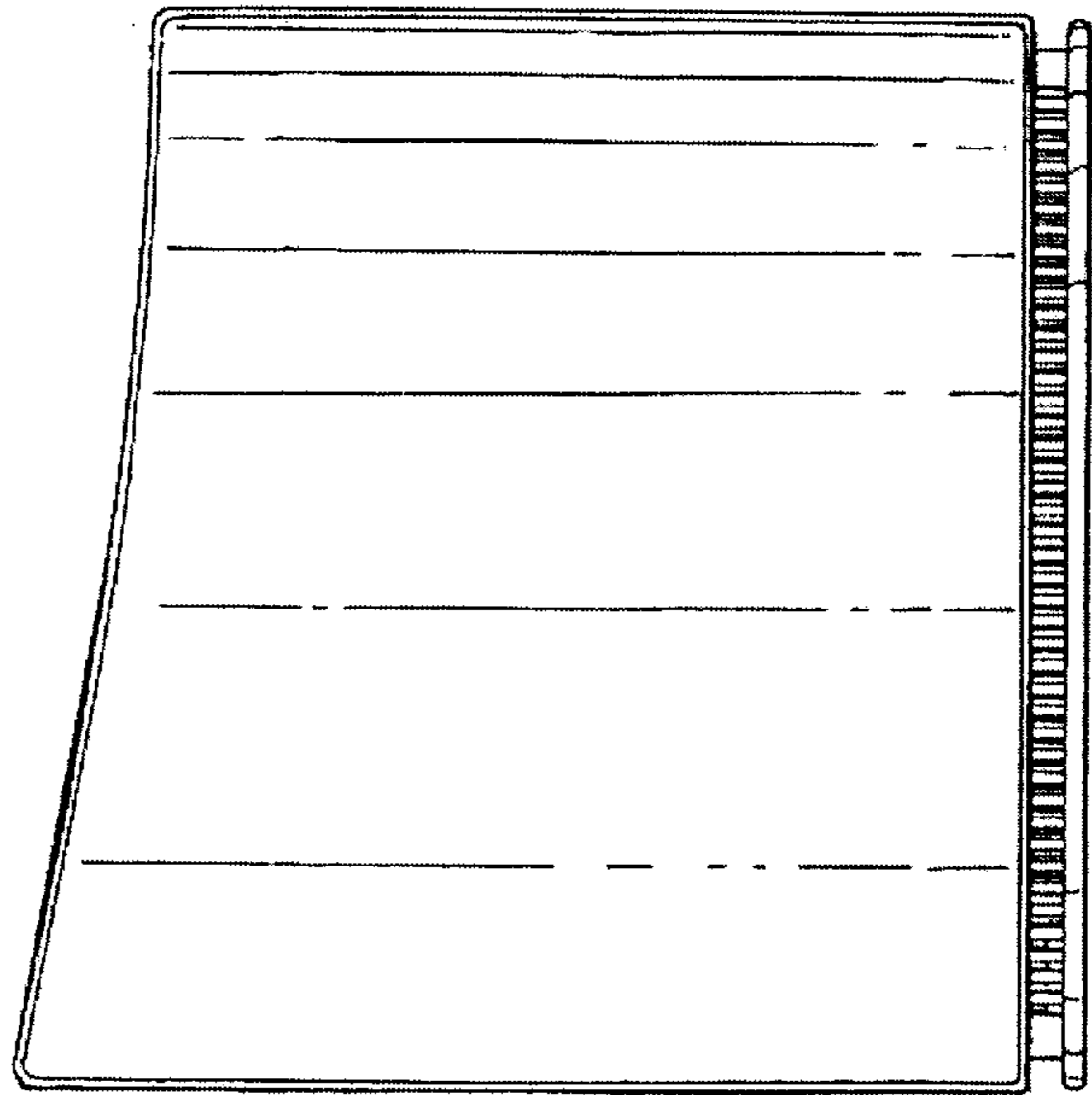


FIG. 14



FIG. 15

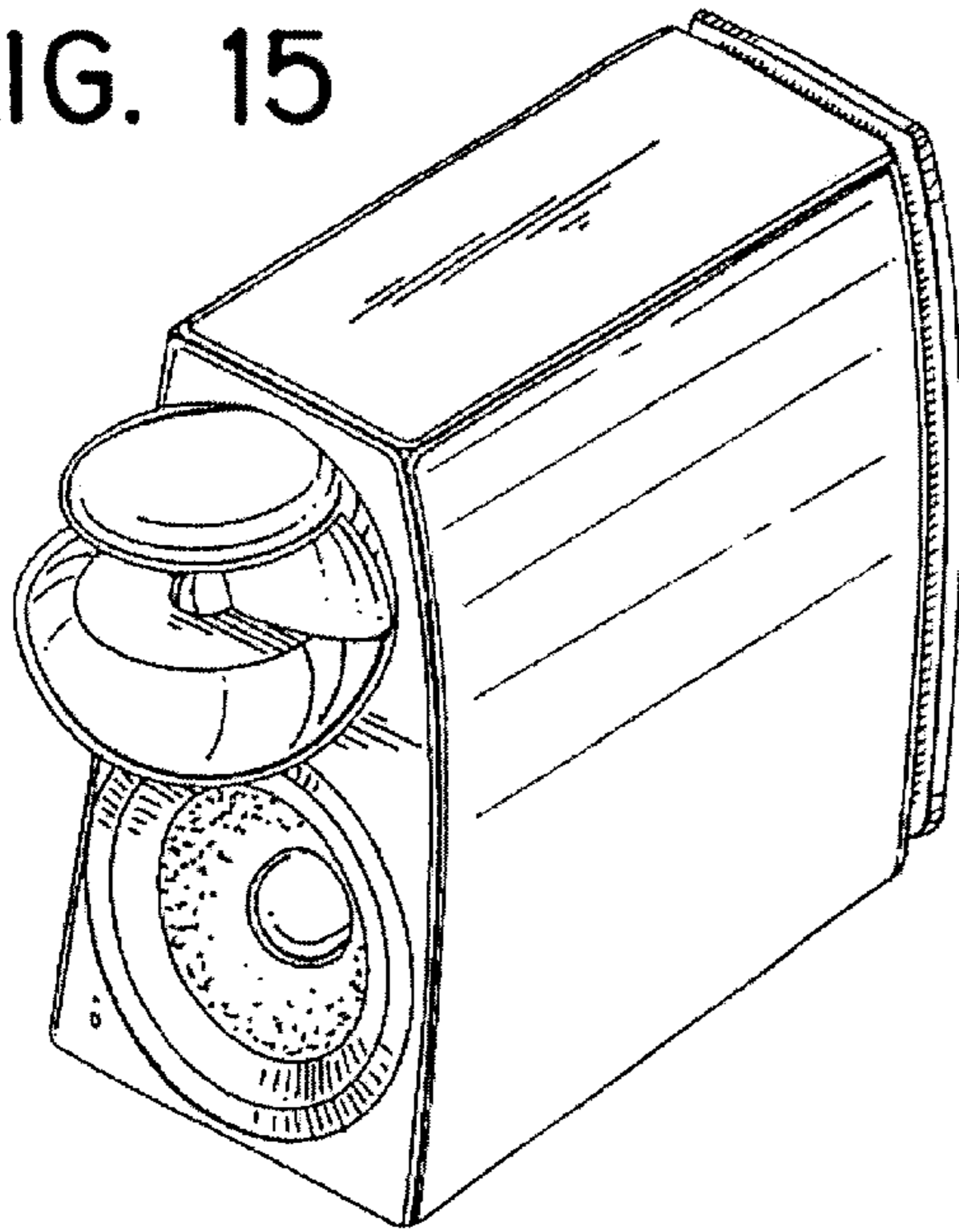


FIG. 16

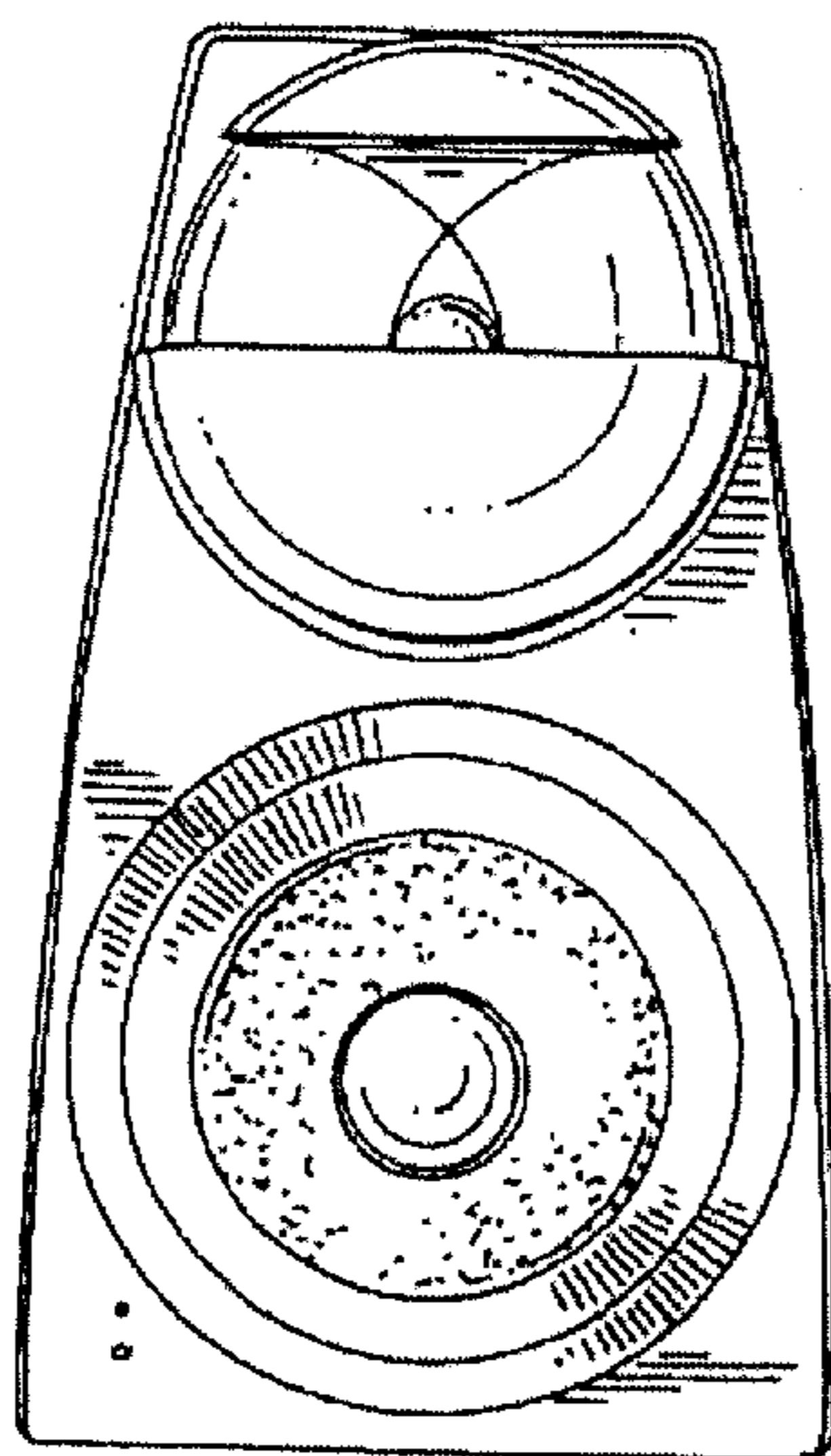
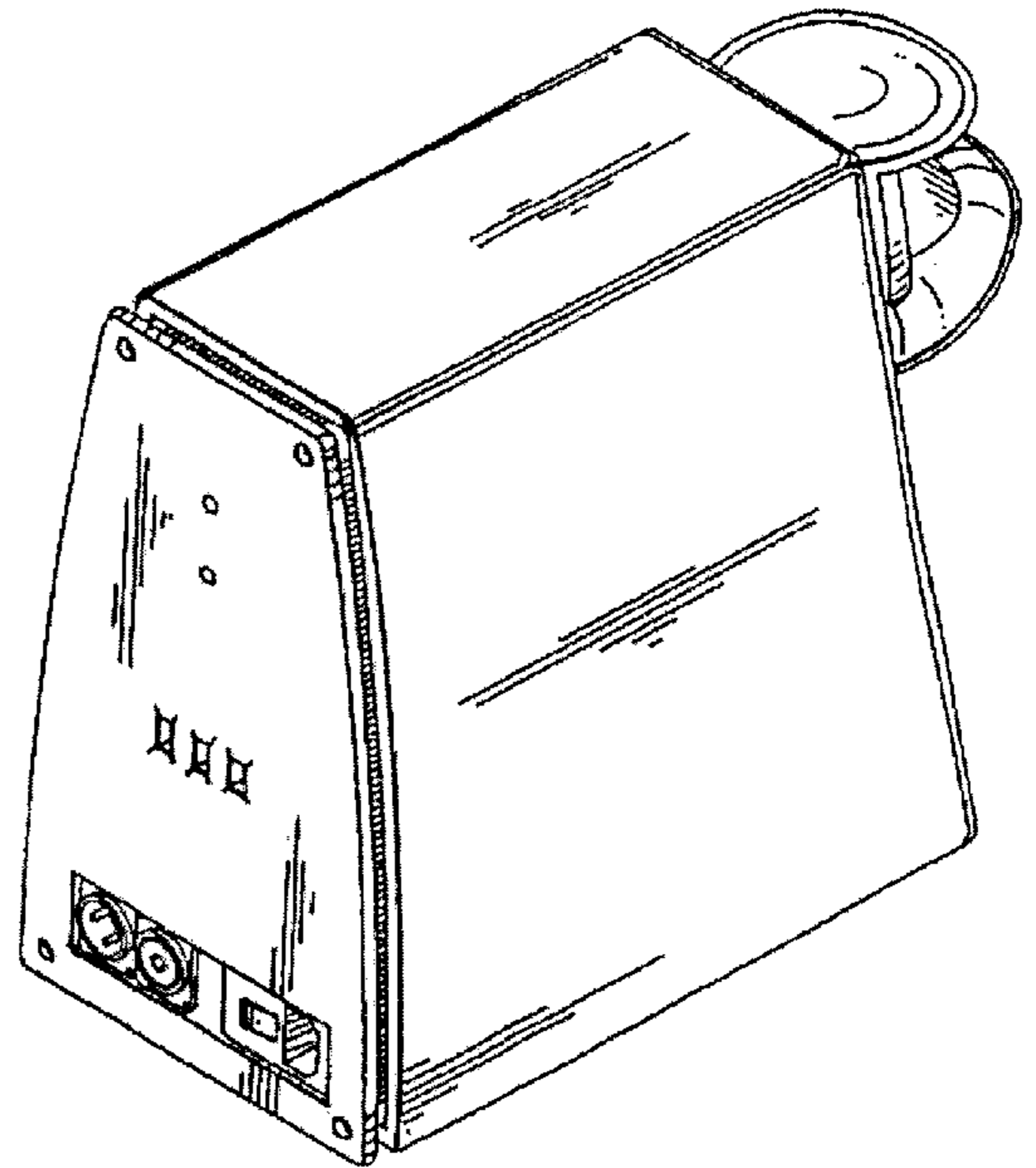


FIG. 17

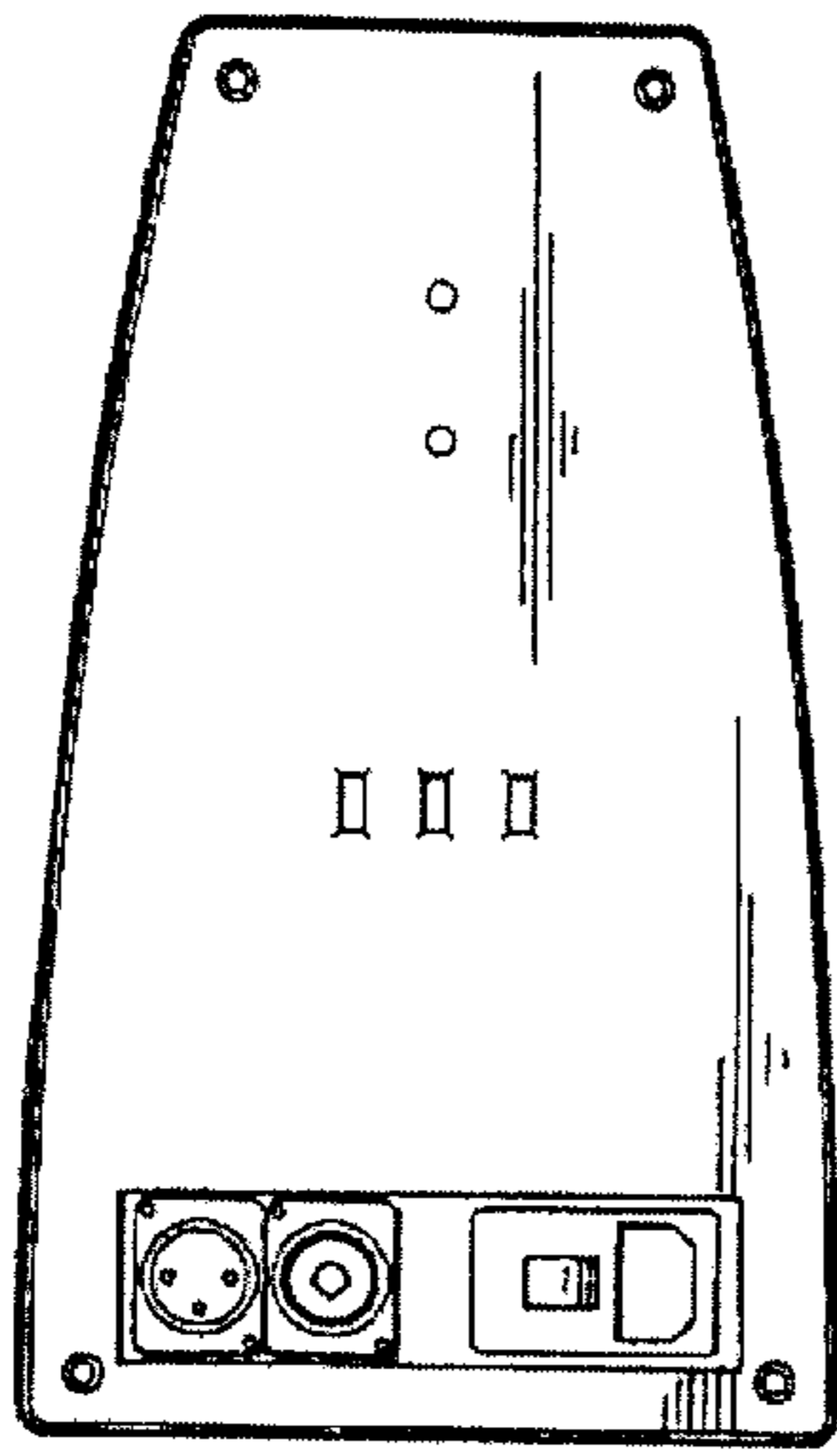


FIG. 18

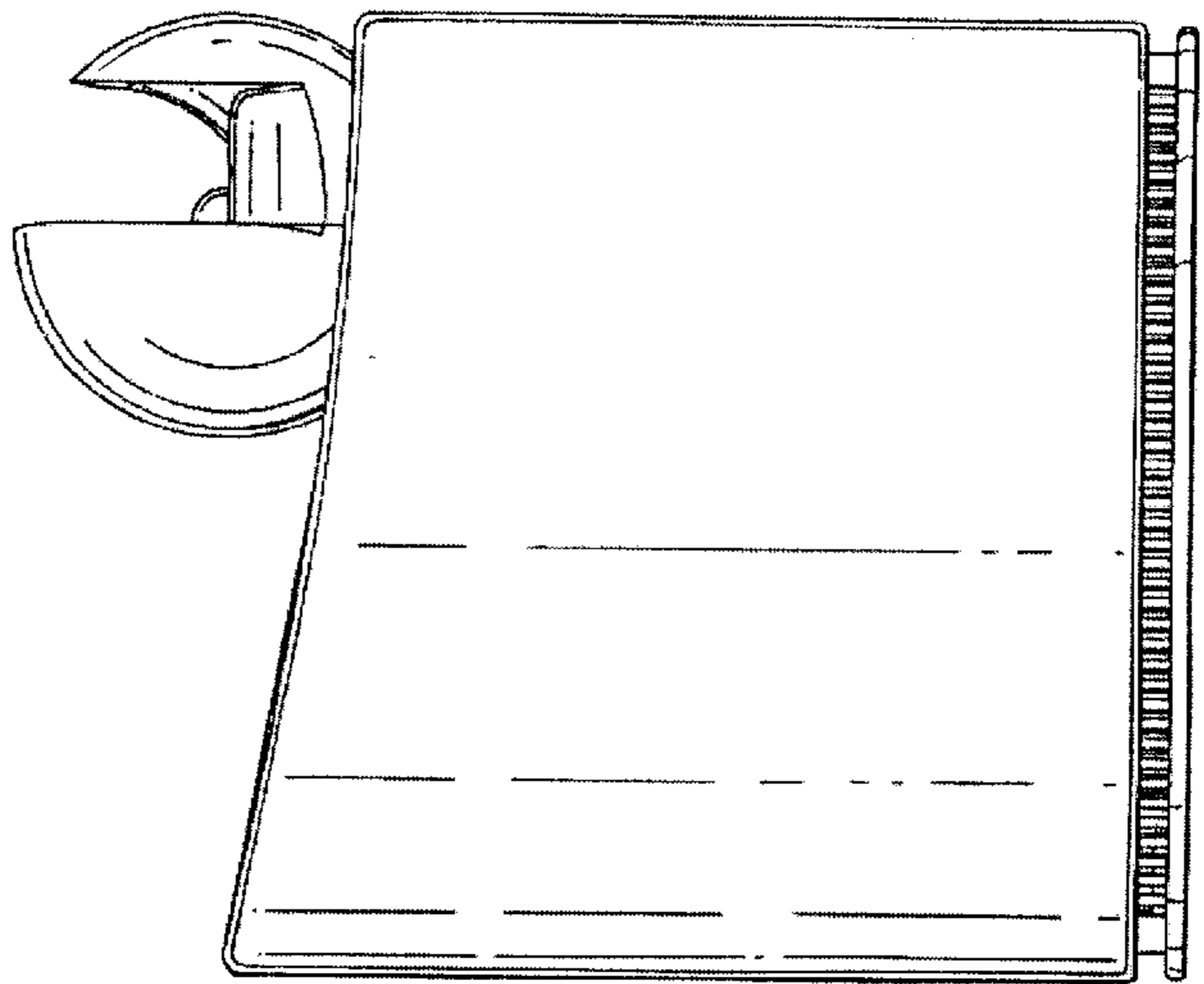


FIG. 19

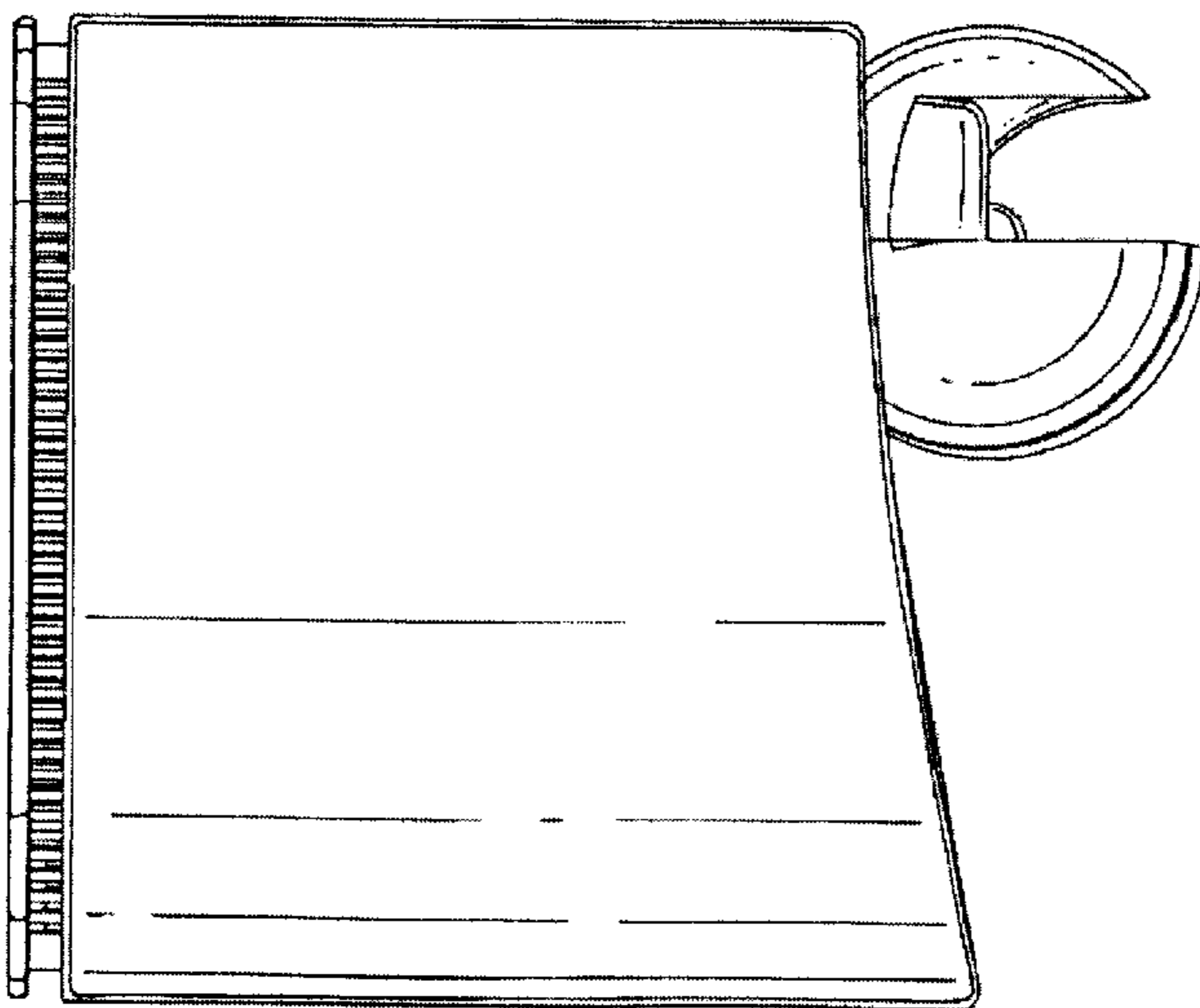


FIG. 20

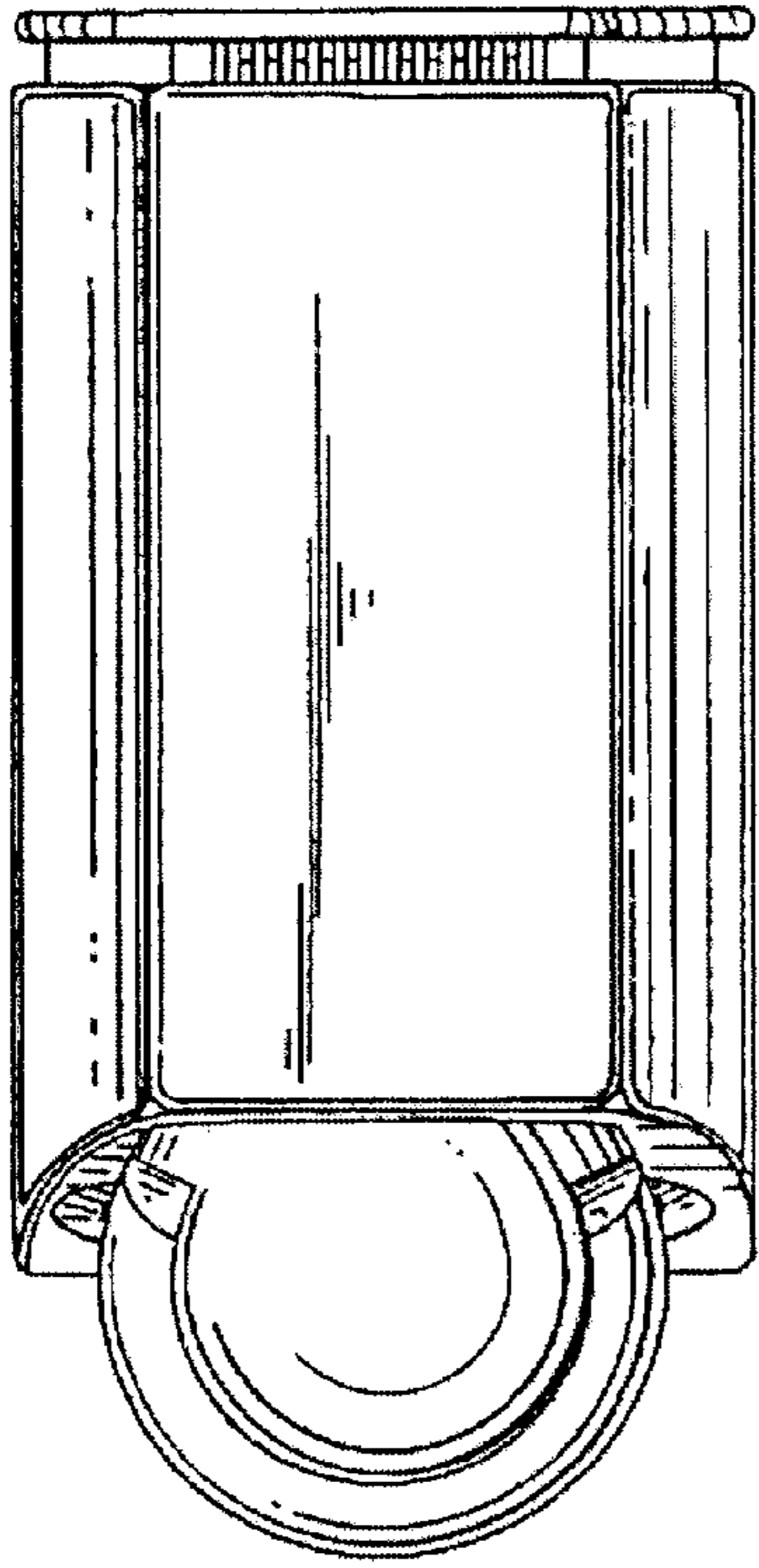


FIG. 21

FIG. 22

