



US00D469745S

(12) **United States Design Patent**
Soule, Jr.

(10) **Patent No.:** **US D469,745 S**

(45) **Date of Patent:** **** Feb. 4, 2003**

(54) **EMERGENCY MEDICAL VIDEO-
CONFERRING UNIT**

D442,155 S * 5/2001 Pham et al. D14/130

* cited by examiner

(75) **Inventor:** **Robert M. Soule, Jr.**, Bedford, TX
(US)

Primary Examiner—Raphael Barkai

(74) *Attorney, Agent, or Firm*—James L. Jackson; Andrews
& Kurth, LLP

(73) **Assignee:** **Emtel, Inc.**, Houston, TX (US)

(**) **Term:** **14 Years**

(57) **CLAIM**

(21) **Appl. No.:** **29/157,221**

The ornamental design for an emergency medical video-
conferencing unit, as shown and described.

(22) **Filed:** **Mar. 14, 2002**

DESCRIPTION

(51) **LOC (7) Cl.** **14-03**

FIG. 1 is an isometric illustration showing the front, top and
one side of the emergency medical video-conferencing unit
of the design;

(52) **U.S. Cl.** **D14/127**

FIG. 2 is a plan view of the emergency medical video-
conferencing unit of the design;

(58) **Field of Search** D14/373, 371,
D14/306, 125-136, 239; D6/203, 221-233;
248/917, 918; 312/198, 231; 211/134; 345/1;
348/180, 184, 739, 13-17; 379/433-436,
93.17

FIG. 3 is a front elevational view of the emergency medical
video-conferencing unit of the design;

(56) **References Cited**

FIG. 4 is a side elevational view of the emergency medical
video-conferencing unit of the design, the opposite side
elevational view being a mirror image thereof;

U.S. PATENT DOCUMENTS

FIG. 5 is a rear elevational view of the emergency medical
video-conferencing unit design; and,

- D236,268 S * 8/1975 Dallimonti
- 4,113,331 A * 9/1978 Derdzinski et al. 312/198
- D347,839 S * 6/1994 Carota D16/203
- D378,677 S * 4/1997 Matsumoto et al.
- D395,041 S * 6/1998 Leveridge et al.
- D440,543 S * 4/2001 Kodimer D14/127

FIG. 6 is an isometric view showing the closed condition of
the emergency medical video-conferencing unit of the
design.

1 Claim, 2 Drawing Sheets

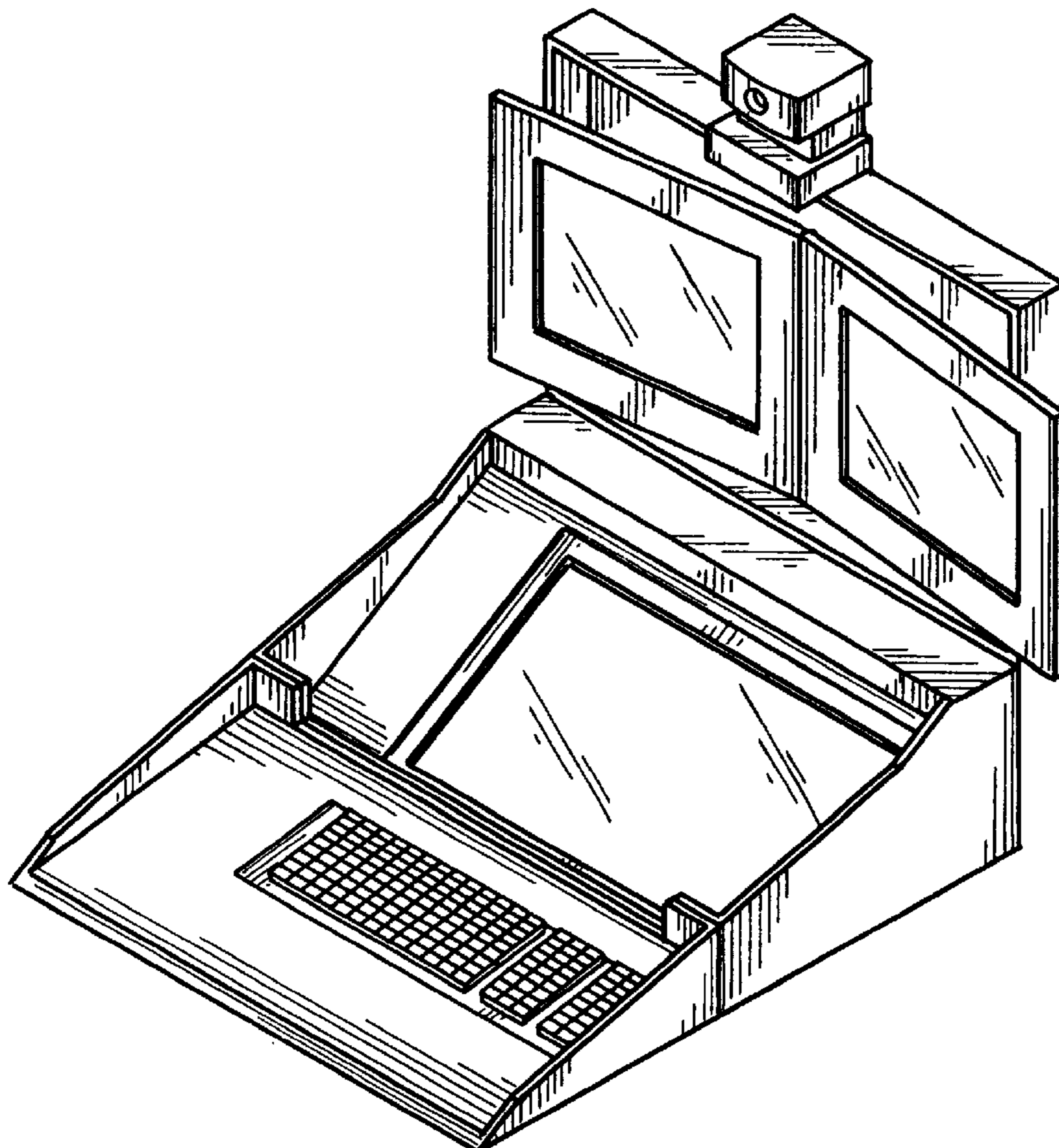


FIG. 1

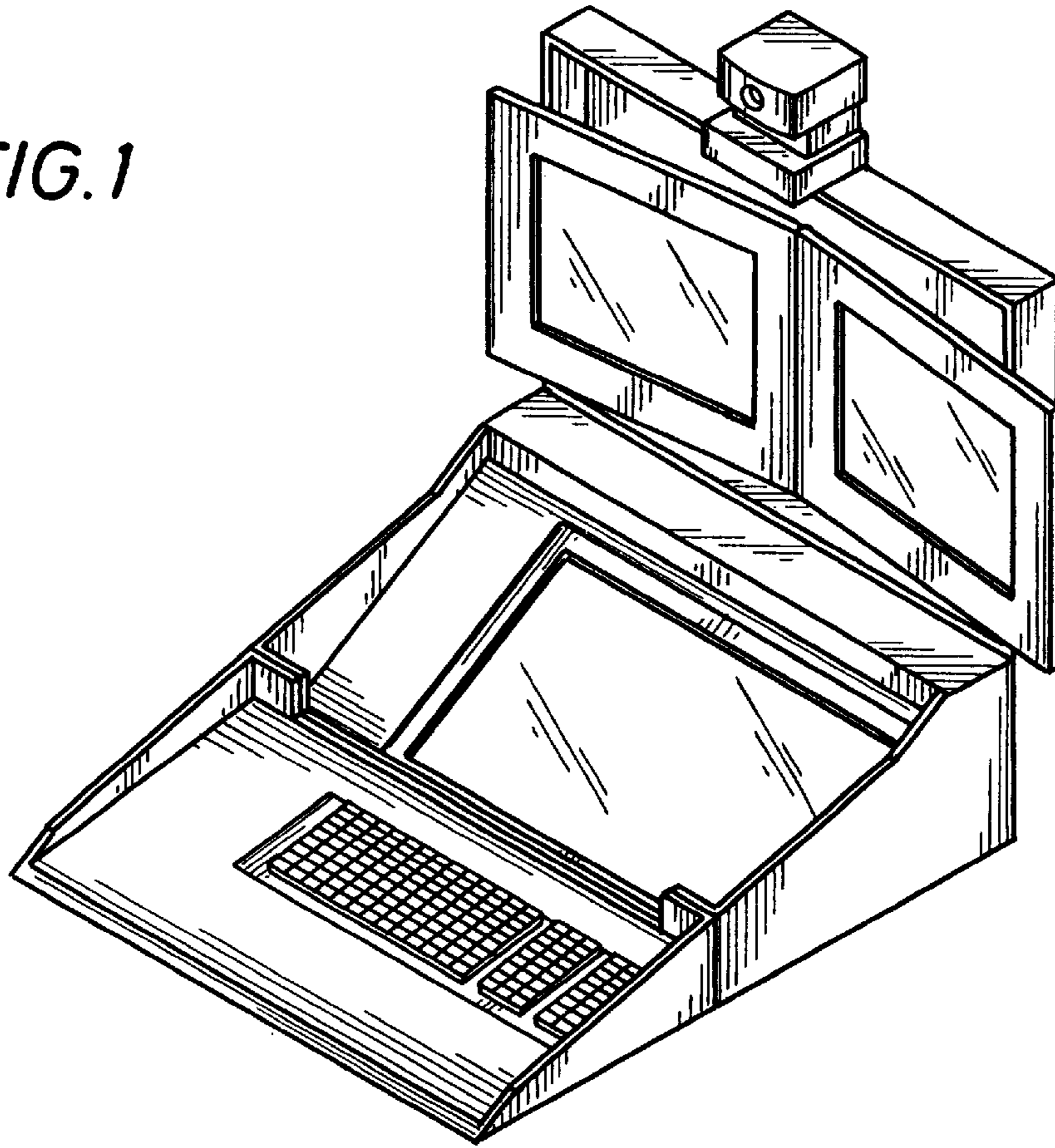
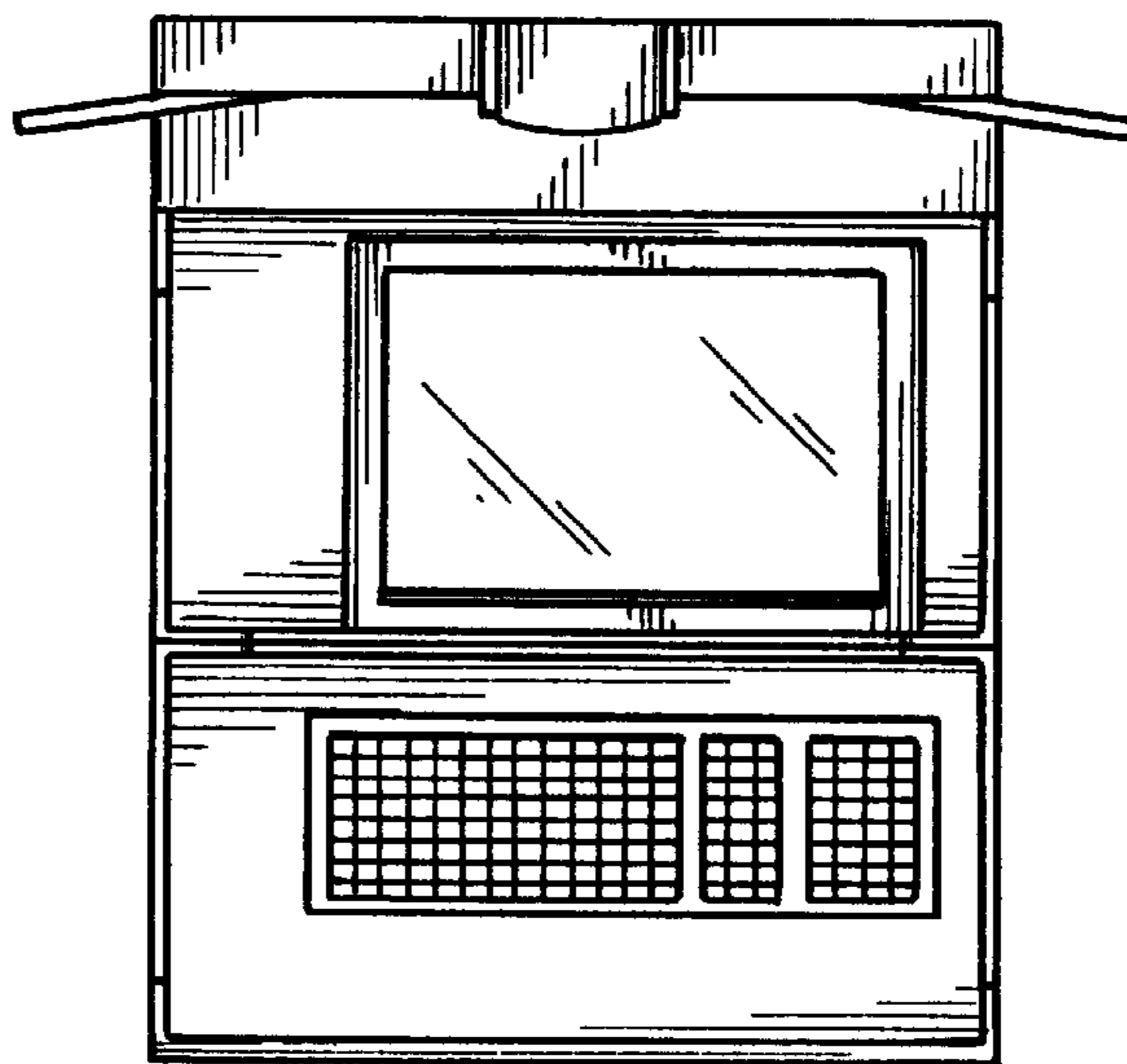


FIG. 2



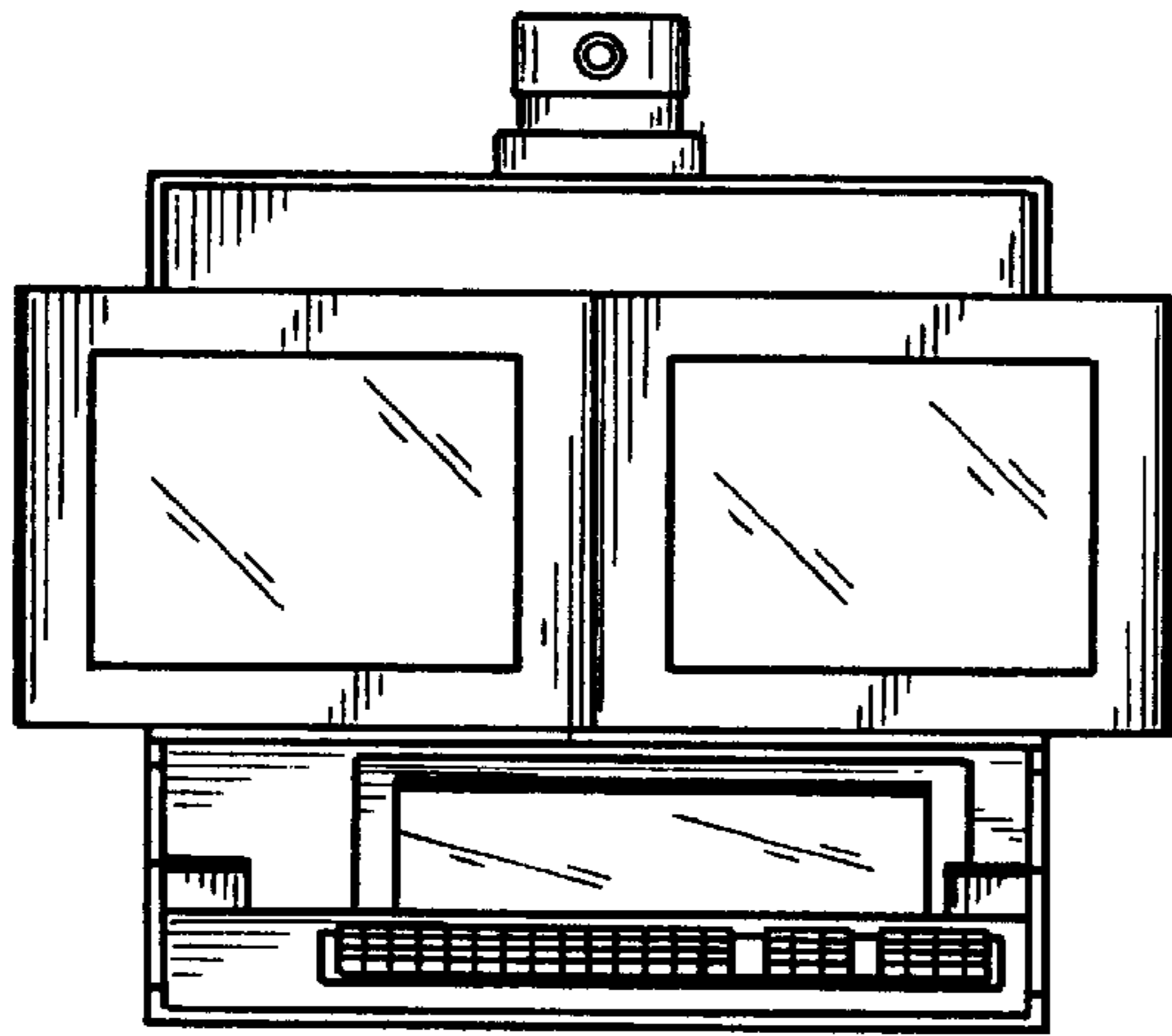


FIG. 3

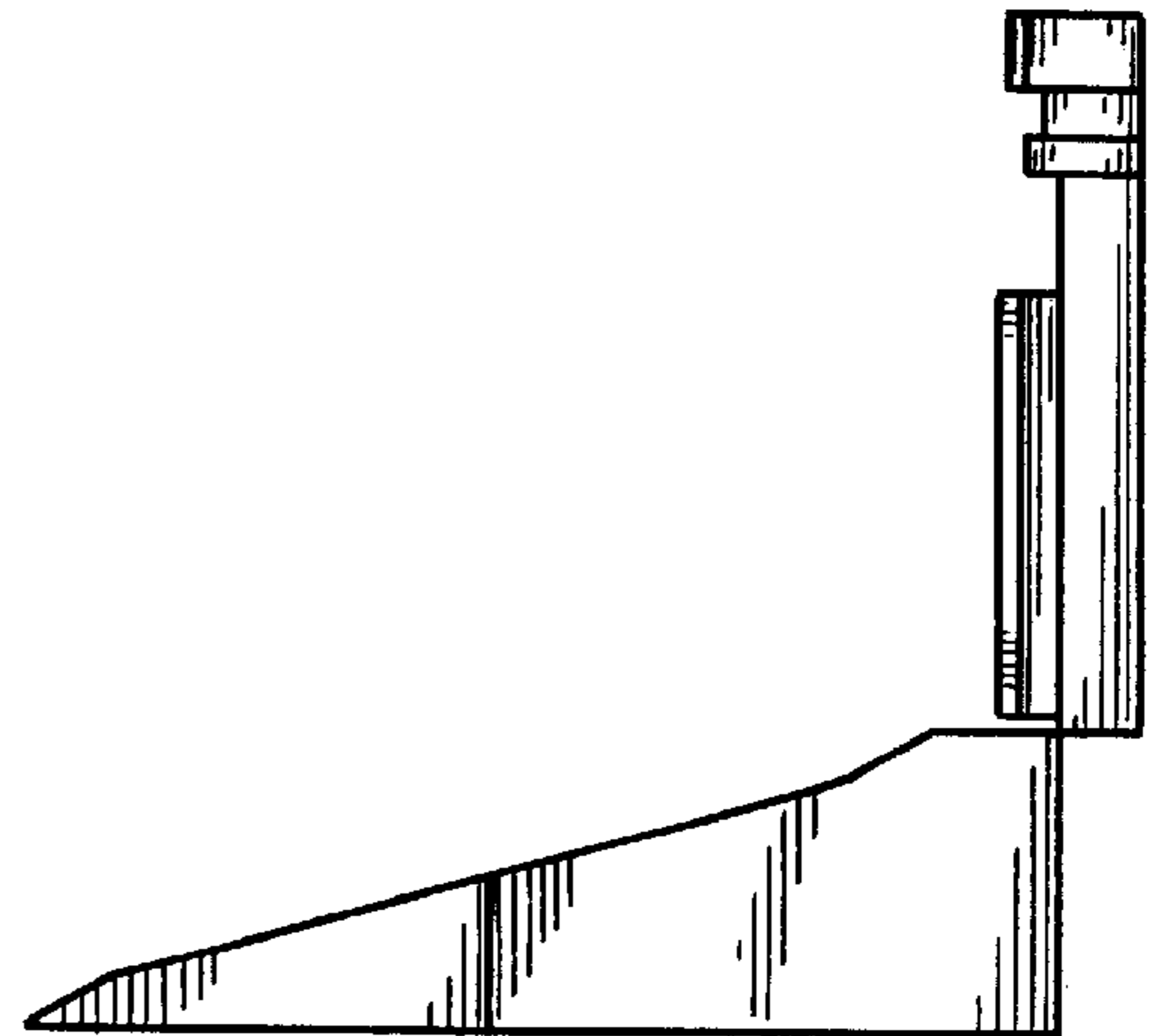


FIG. 4

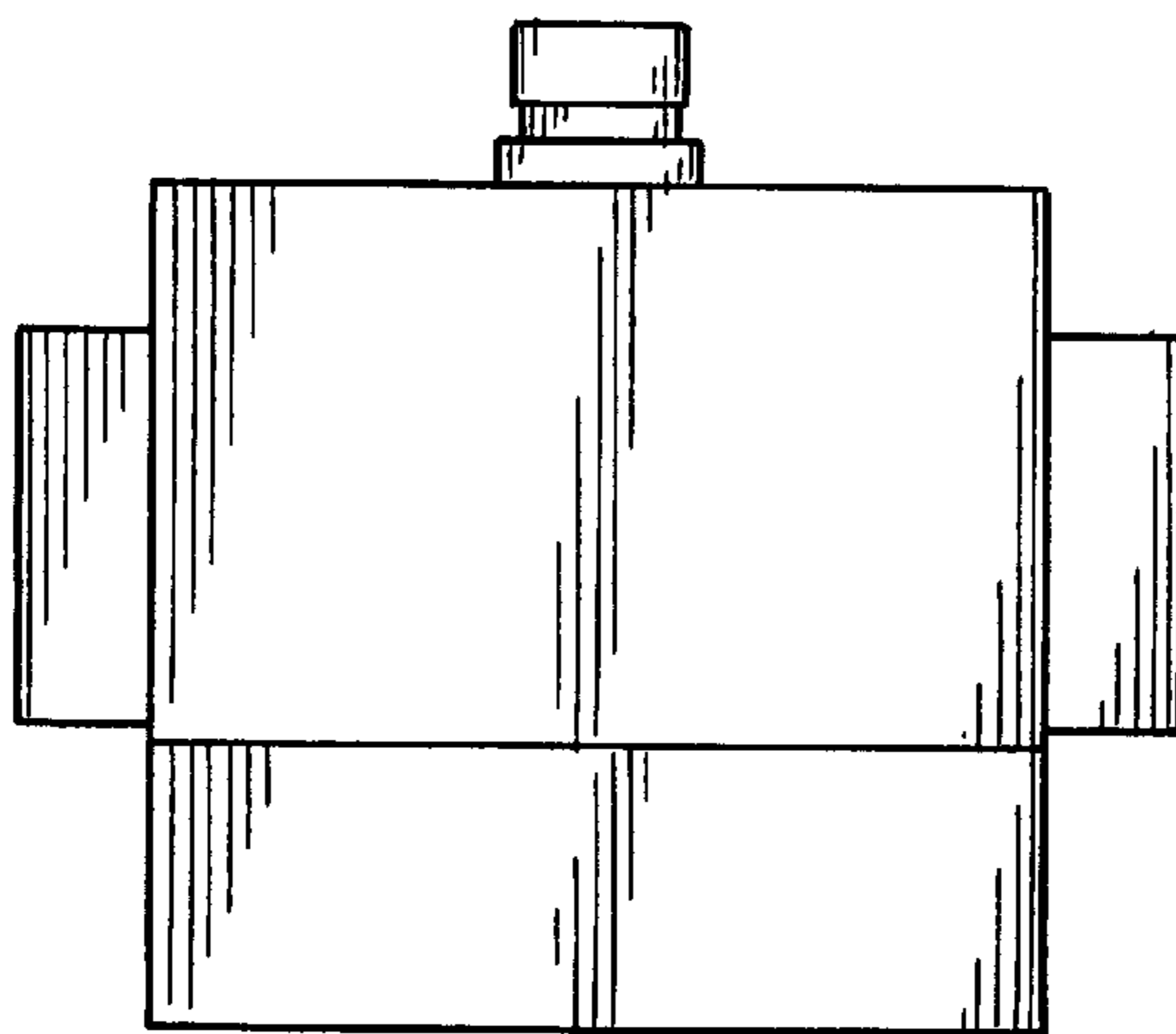


FIG. 5

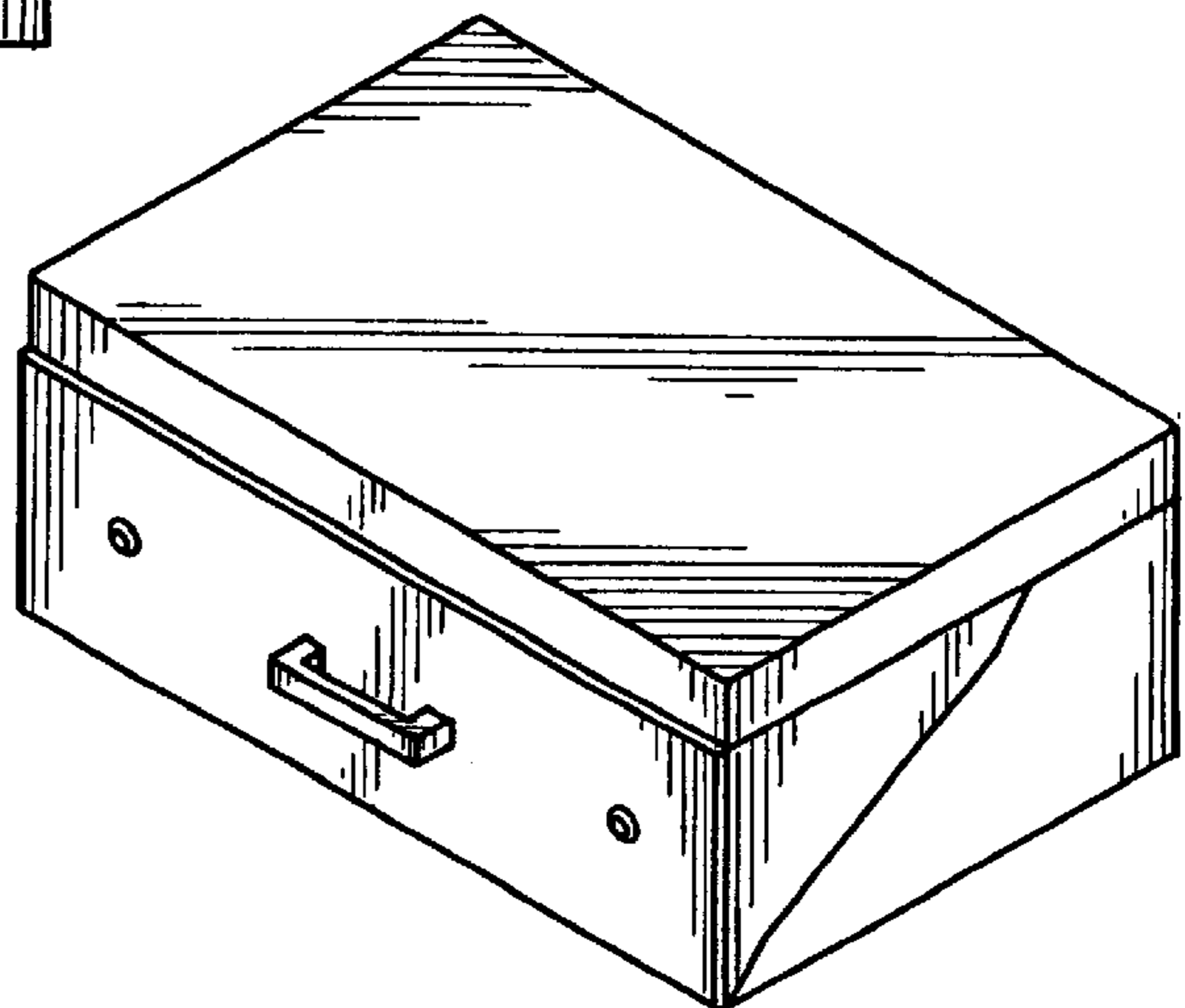


FIG. 6