



US00D469734S

(12) **United States Design Patent**  
**Tyrer**

(10) **Patent No.:** **US D469,734 S**

(45) **Date of Patent:** **\*\* Feb. 4, 2003**

(54) **CANOPY FOR A GOLF CART**

6,227,217 B1 5/2001 Peta  
6,227,603 B1 5/2001 Brock  
6,416,109 B1 \* 7/2002 Tyrer et al. .... 296/100.11

(76) Inventor: **Stephen Edward Tyrer**, 147 Taft  
Crescent, Centerport, NY (US) 11721

(\*\*) Term: **14 Years**

**OTHER PUBLICATIONS**

U.S. patent application Ser. No. 10/107,996, Tyrer (Inventor).

\* cited by examiner

*Primary Examiner*—Nelson C. Holtje  
(74) *Attorney, Agent, or Firm*—Michael T. York

(21) Appl. No.: **29/161,222**

(22) Filed: **May 24, 2002**

(51) **LOC (7) Cl.** ..... **12-02**

(52) **U.S. Cl.** ..... **D12/401; D12/16**

(58) **Field of Search** ..... D12/401, 16, 190,  
D12/223; 135/88, 88.01, 88.09; 296/77.1,  
83, 100.14, 100.16, 138, 141, 100.11; 280/DIG. 5,  
32.7, 208

(57) **CLAIM**

The ornamental design for a canopy for a golf cart, as shown and described.

**DESCRIPTION**

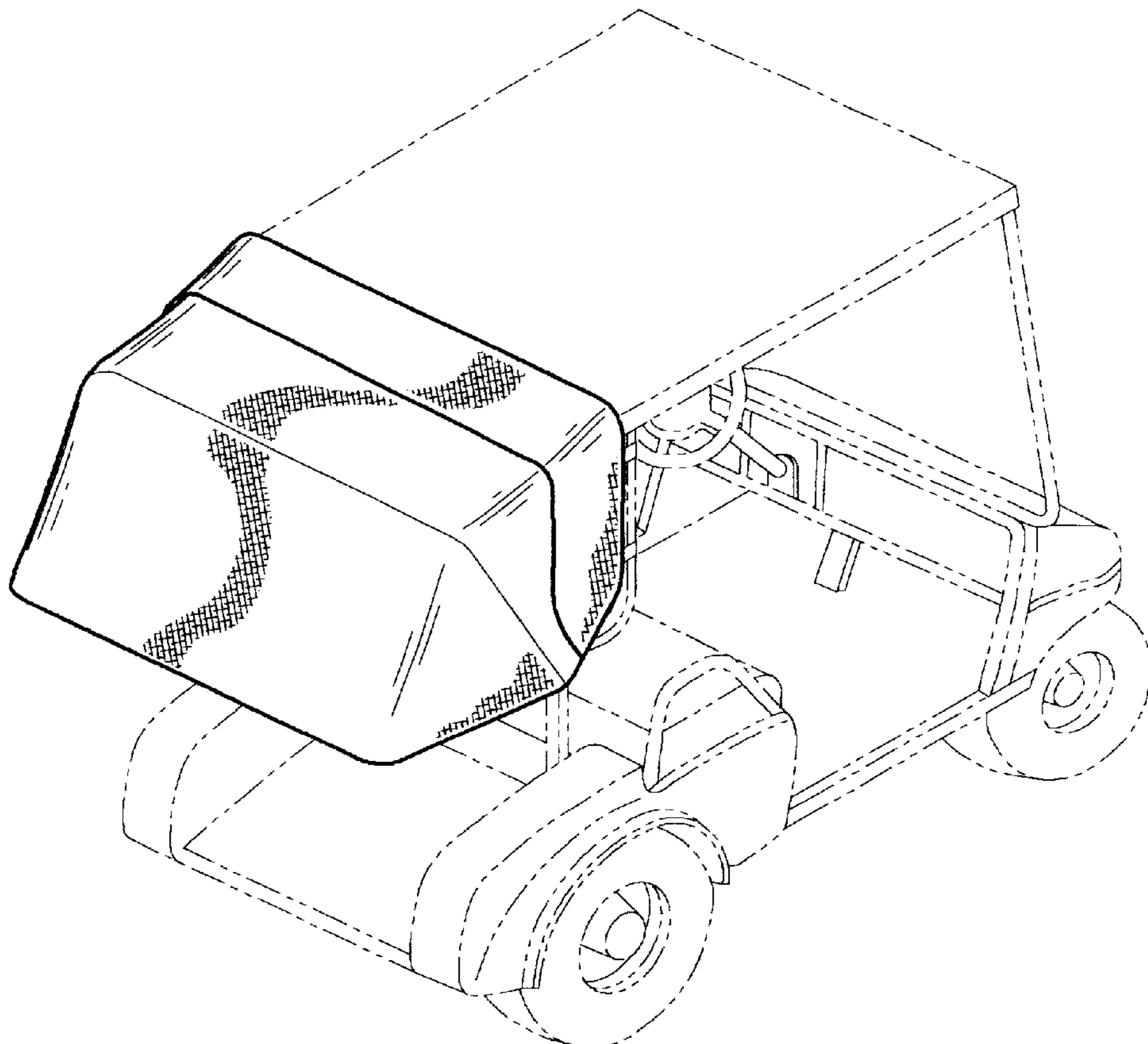
FIG. 1 is a rear elevated perspective view of the canopy for a golf cart;  
FIG. 2 is a rear view thereof;  
FIG. 3 is a front view thereof;  
FIG. 4 is a bottom view thereof;  
FIG. 5 is a top view thereof; and,  
FIG. 6 is a view of one side, and the opposite side is a mirror image thereof.

(56) **References Cited**

**U.S. PATENT DOCUMENTS**

D109,106 S	*	3/1938	Scott	.....	D12/190
4,830,037 A		5/1989	Held		
5,069,481 A	*	12/1991	Strange	.....	280/769
6,007,134 A	*	12/1999	Weston	.....	296/83
6,068,325 A	*	5/2000	Hughes	.....	296/100.16
D439,560 S	*	3/2001	Atwell et al.	.....	D12/401
6,216,714 B1		4/2001	Tucker		
6,220,647 B1		4/2001	Winkler		

**1 Claim, 2 Drawing Sheets**



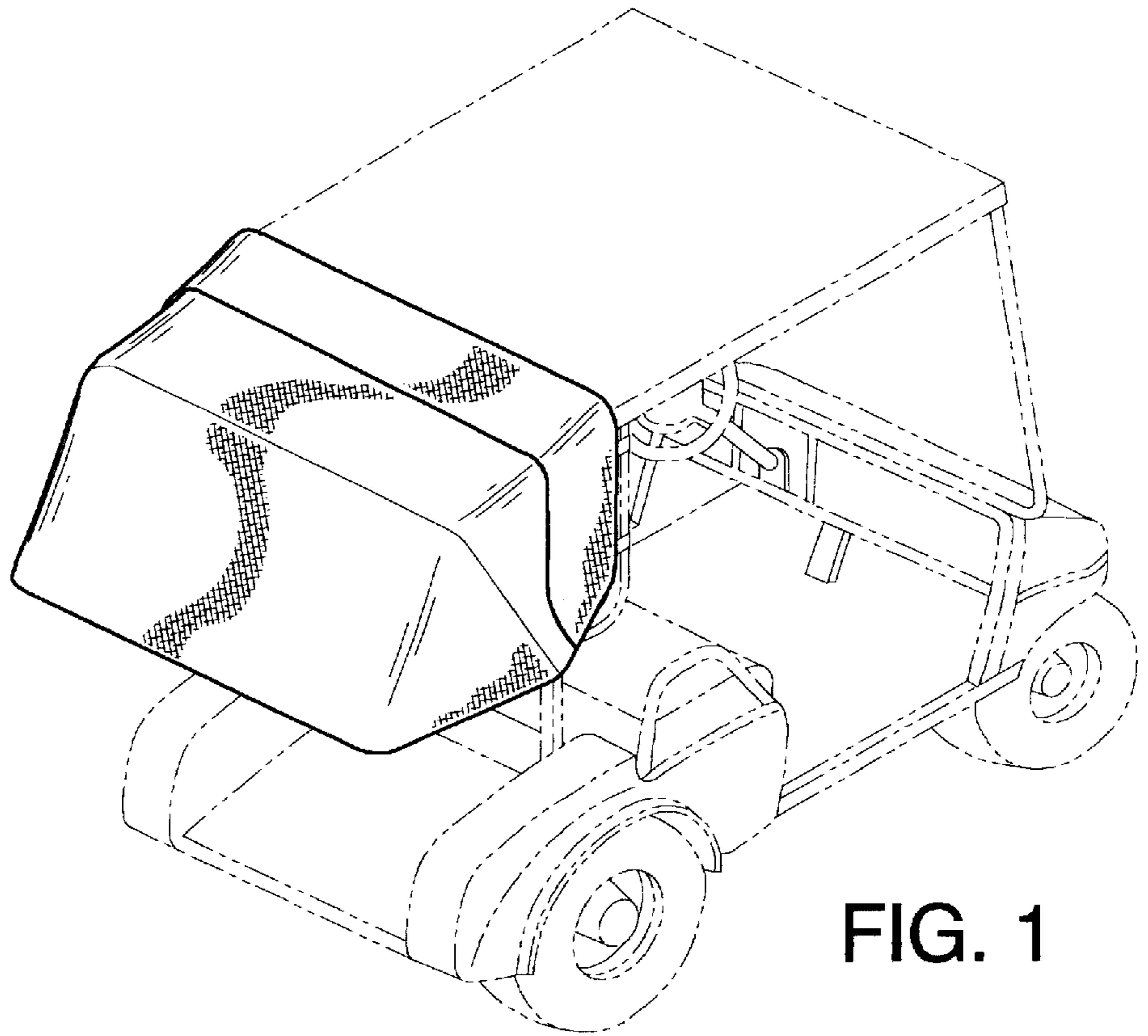


FIG. 1

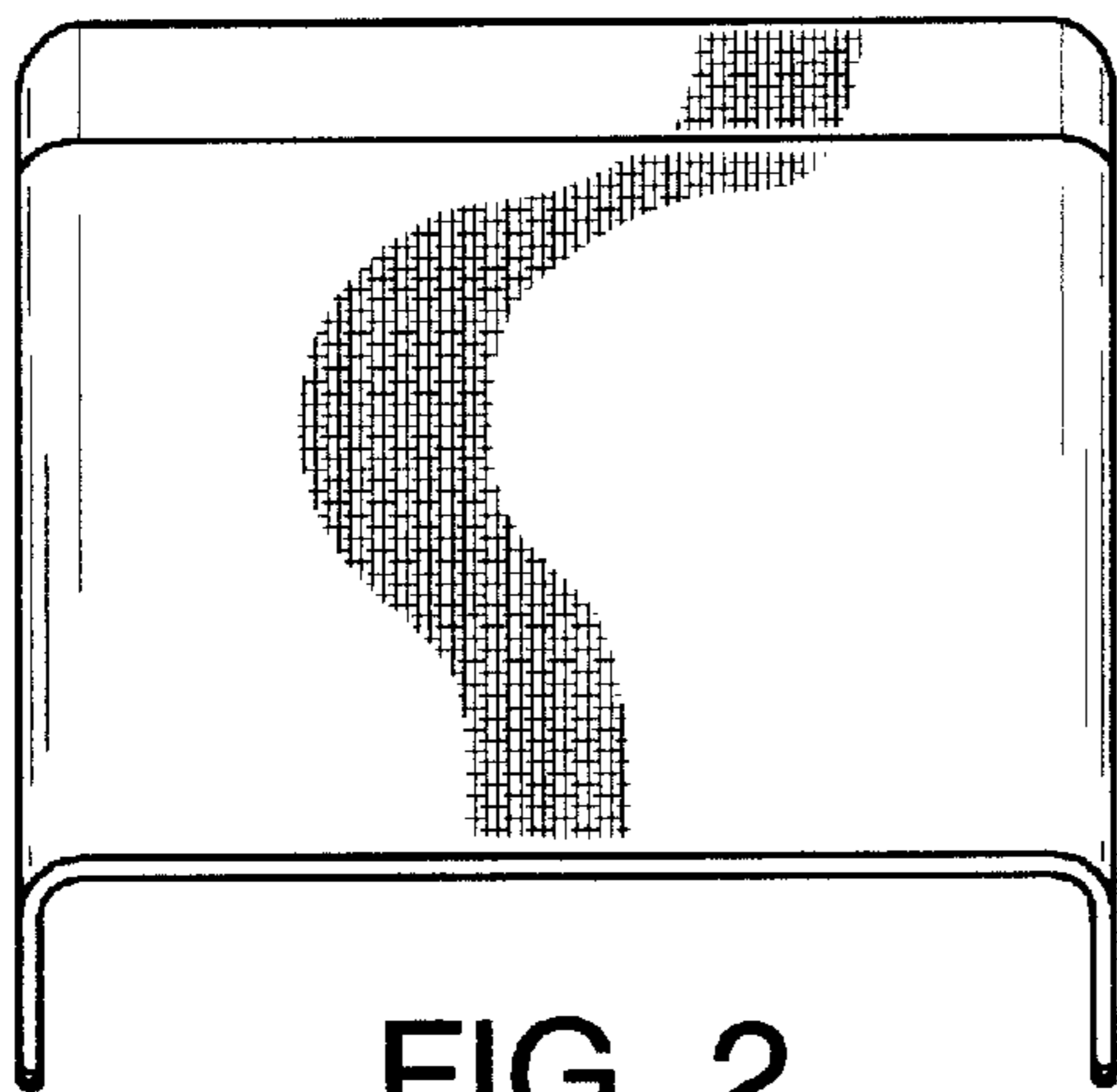


FIG. 2

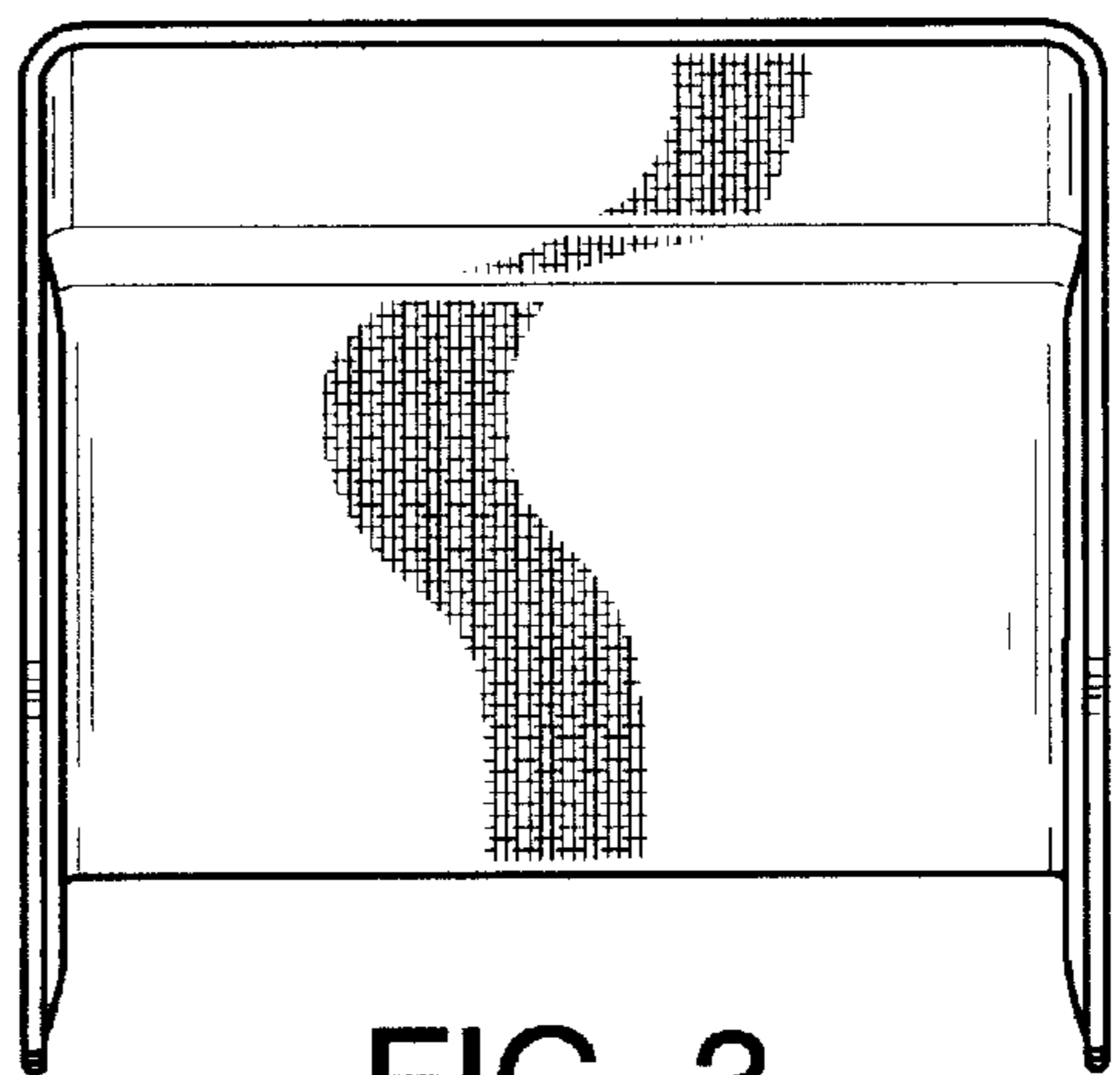


FIG. 3

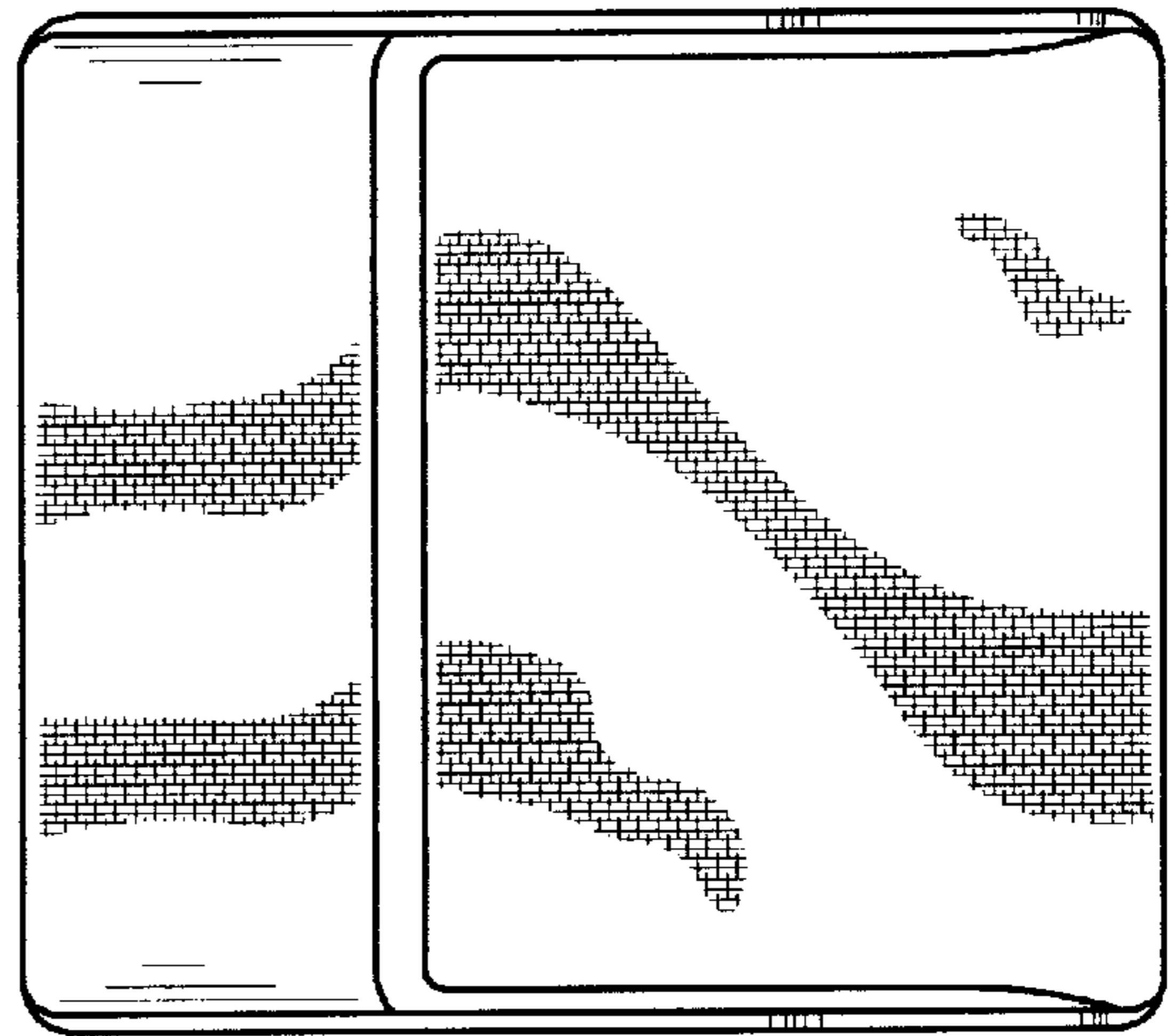


FIG. 4

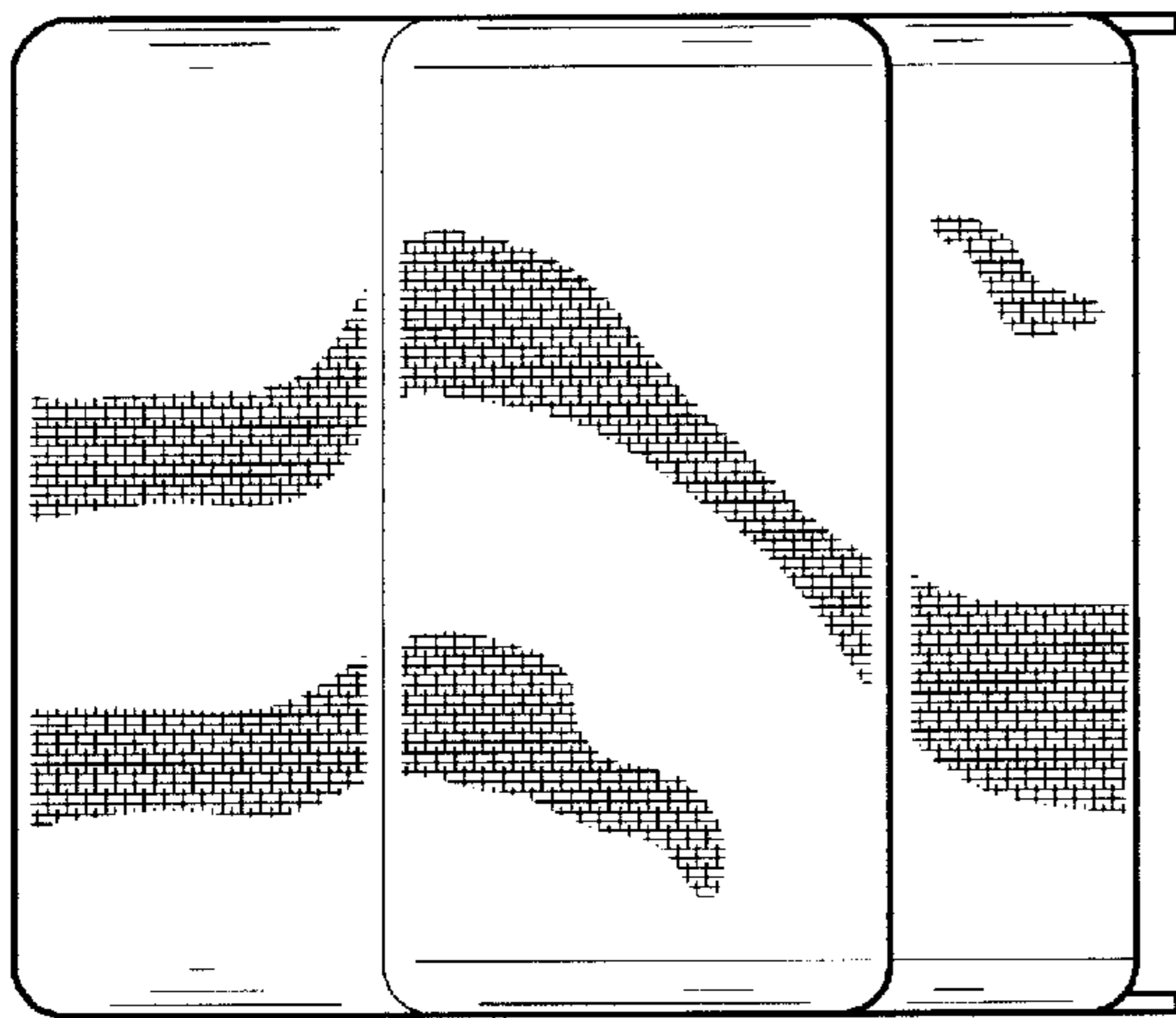


FIG. 5

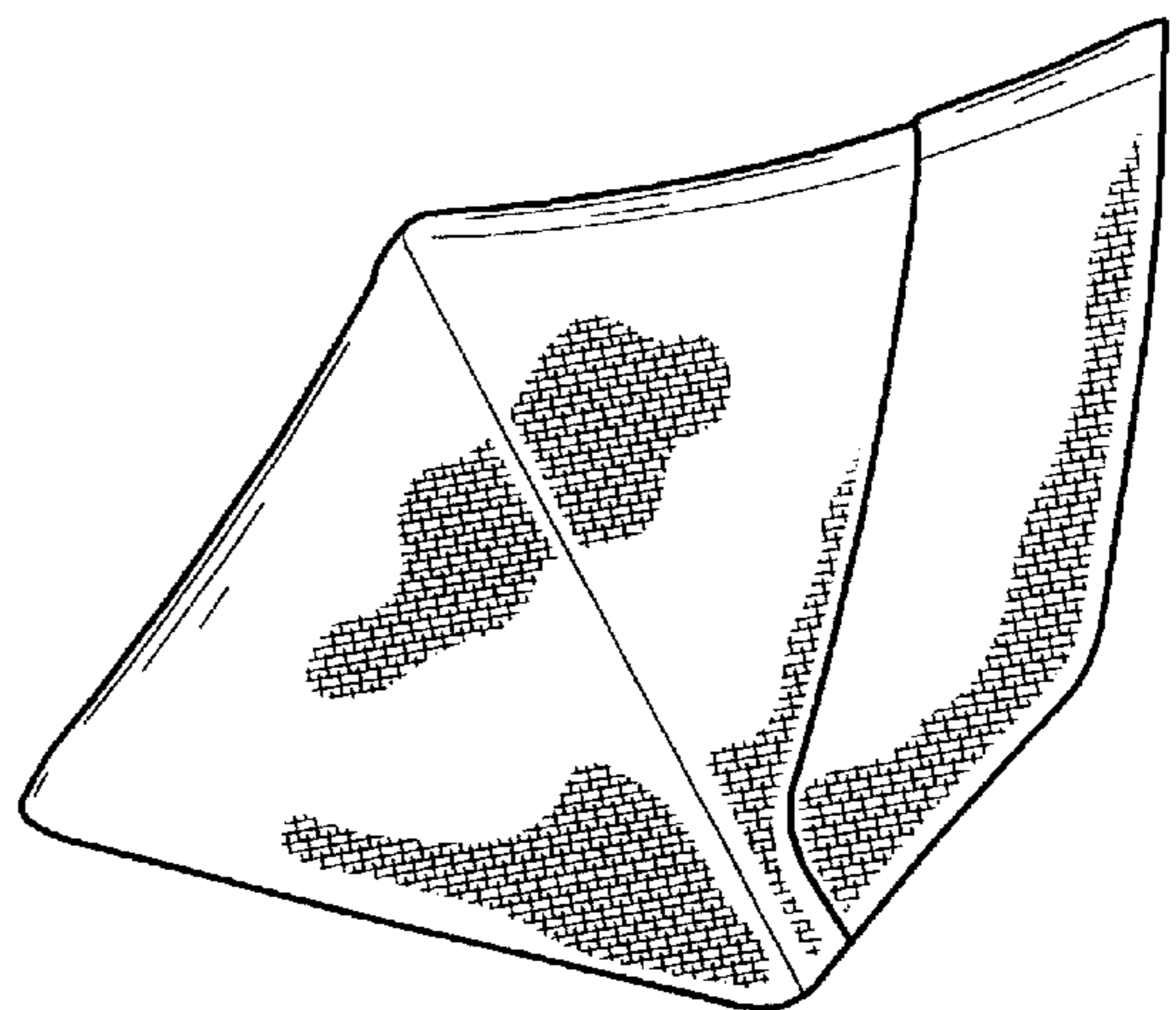


FIG. 6

UNITED STATES PATENT AND TRADEMARK OFFICE  
**CERTIFICATE OF CORRECTION**

PATENT NO. : Des. 469,734 S  
DATED : February 4, 2003  
INVENTOR(S) : Stephen Edward Tyrer

Page 1 of 2

It is certified that error appears in the above-identified patent and that said Letters Patent is hereby corrected as shown below:

Drawings,

Sheet 1 of 2, consisting of Figures 1-3, should be replaced with the corrected drawing sheet 1 of 2, consisting of Figures 1-3, as shown on the attached page.

Signed and Sealed this

Twenty-seventh Day of July, 2004

A handwritten signature in black ink that reads "Jon W. Dudas". The signature is written in a cursive style with a large, stylized initial "J".

---

JON W. DUDAS  
*Acting Director of the United States Patent and Trademark Office*

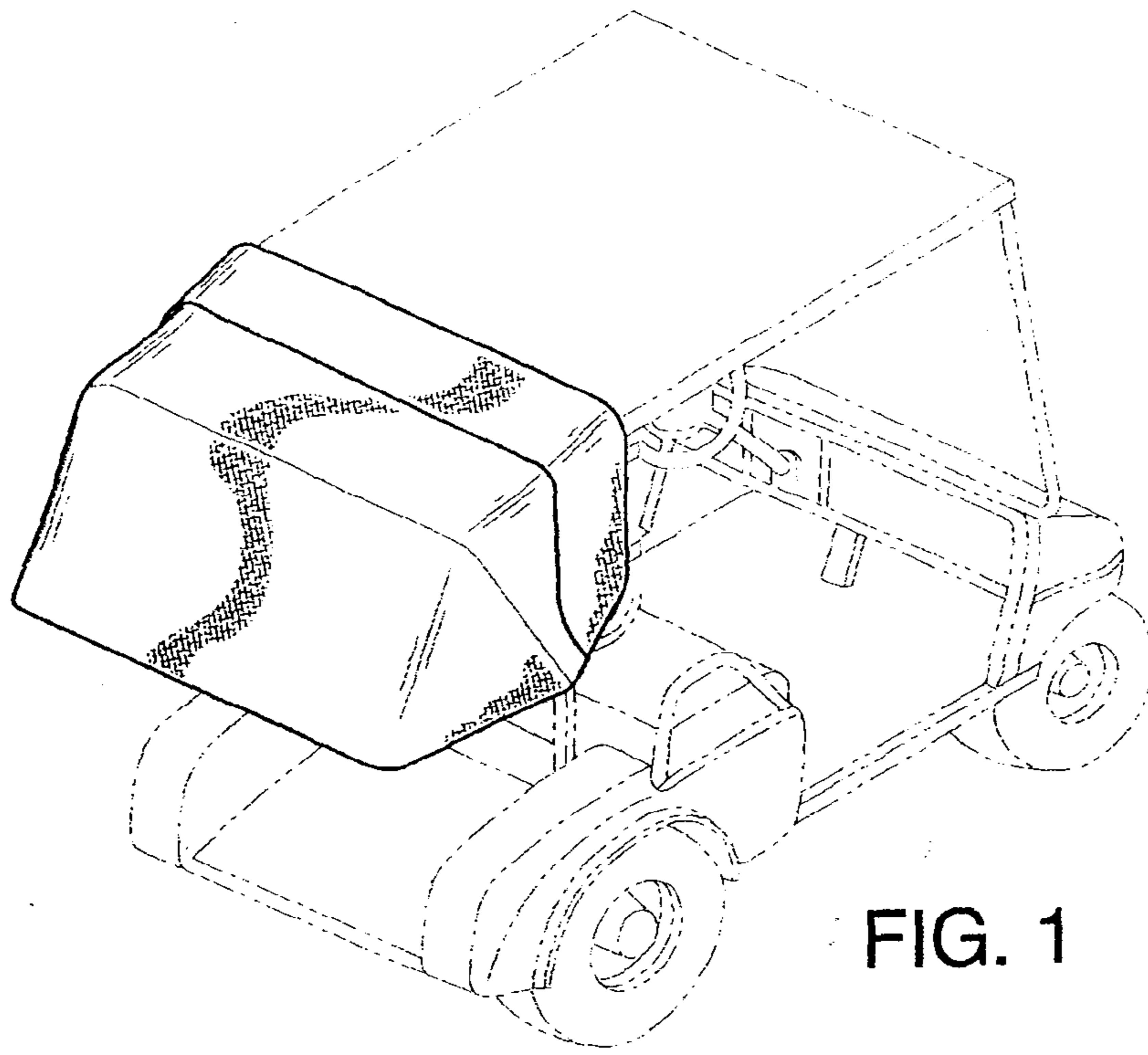


FIG. 1

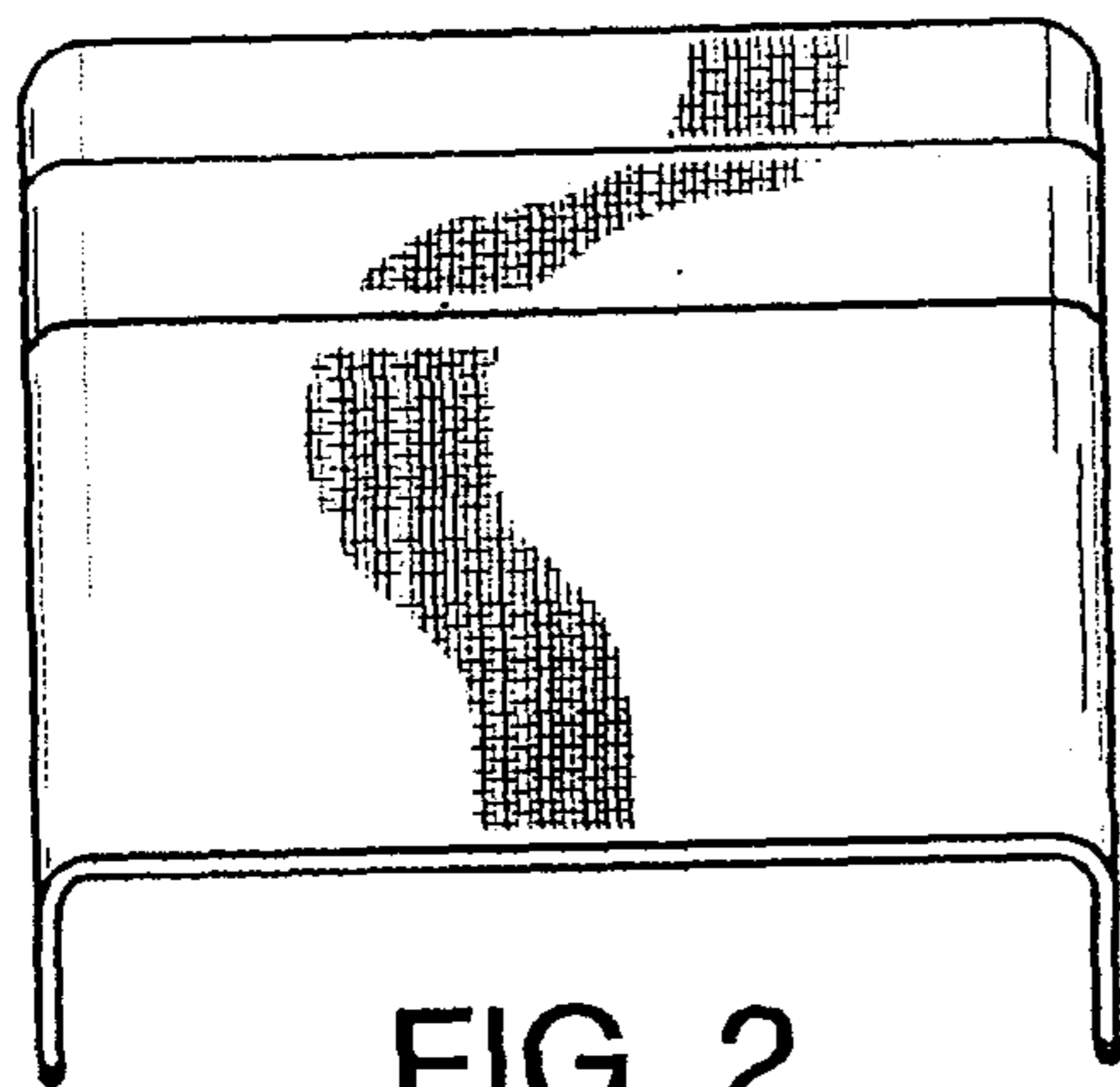


FIG. 2

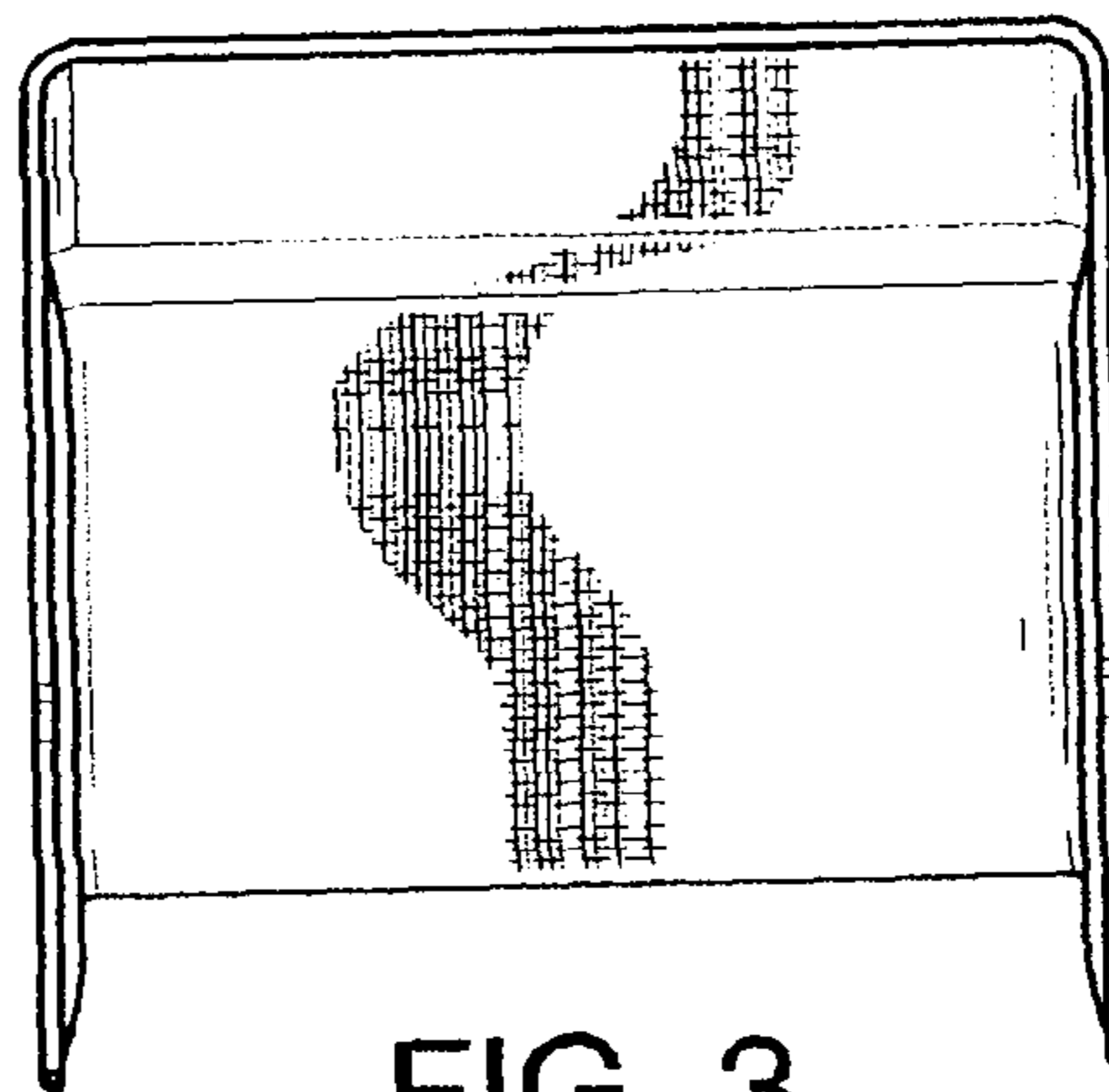


FIG. 3