



US00D469733S

(12) **United States Design Patent**  
**Krumholz**

(10) **Patent No.:** **US D469,733 S**

(45) **Date of Patent:** **\*\* Feb. 4, 2003**

(54) **SEAMLESS FUZZY HANGING DICE WITH ON/OFF VEHICLE PLUG-IN SWITCH**

6,220,594 B1 \* 4/2001 Peng ..... 273/146

**OTHER PUBLICATIONS**

(75) **Inventor:** **Spencer Krumholz**, Boca Raton, FL (US)

Allison Auto Accessories, p. 19, See “#8469 Lighted Dice”, “#55-5000 Gold Dice”, “#8404 & #8406 Black/White Fuzzy Dice”, “#8414 and #8416 Black/White Fuzzy Dice” and “#8424, #8425 & #8426 Yellow, Pink, Lime Large Dice”.\*

(73) **Assignee:** **Liteglow Industries, Inc.**, Pompano Beach, FL (US)

(\*\*) **Term:** **14 Years**

\* cited by examiner

(21) **Appl. No.:** **29/120,549**

*Primary Examiner*—Stacia Cadmus

(22) **Filed:** **Mar. 21, 2000**

(74) *Attorney, Agent, or Firm*—Lackenbach Siegel LLP

(51) **LOC (7) Cl.** ..... **12-16**

(52) **U.S. Cl.** ..... **D12/400**

(58) **Field of Search** ..... D12/191, 197-199, D12/188, 400; D11/204, 211, 219, 223, 232, 238; D21/373; D11/7, 14, 44, 48, 81, 99, 144; 273/146, 138.2; 362/806, 808, 83.3, 79-81, 253; D26/4, 16, 26, 31-32

(57) **CLAIM**

The ornamental design for seamless fuzzy hanging dice with on/off vehicle plug-in switch, as shown and described.

(56) **References Cited**

**U.S. PATENT DOCUMENTS**

D58,042 S	*	5/1921	Paine	.....	D21/41 X
2,009,959 A	*	7/1935	Hoffman	.....	273/146
2,306,939 A	*	12/1942	Ferris	.....	40/541 X
4,124,881 A	*	11/1978	Haber et al.	.....	273/146
4,181,304 A	*	1/1980	Haber	.....	273/146
D263,570 S	*	3/1982	Gordan	.....	D11/7
D269,983 S	*	8/1983	Lapadura	.....	D21/41

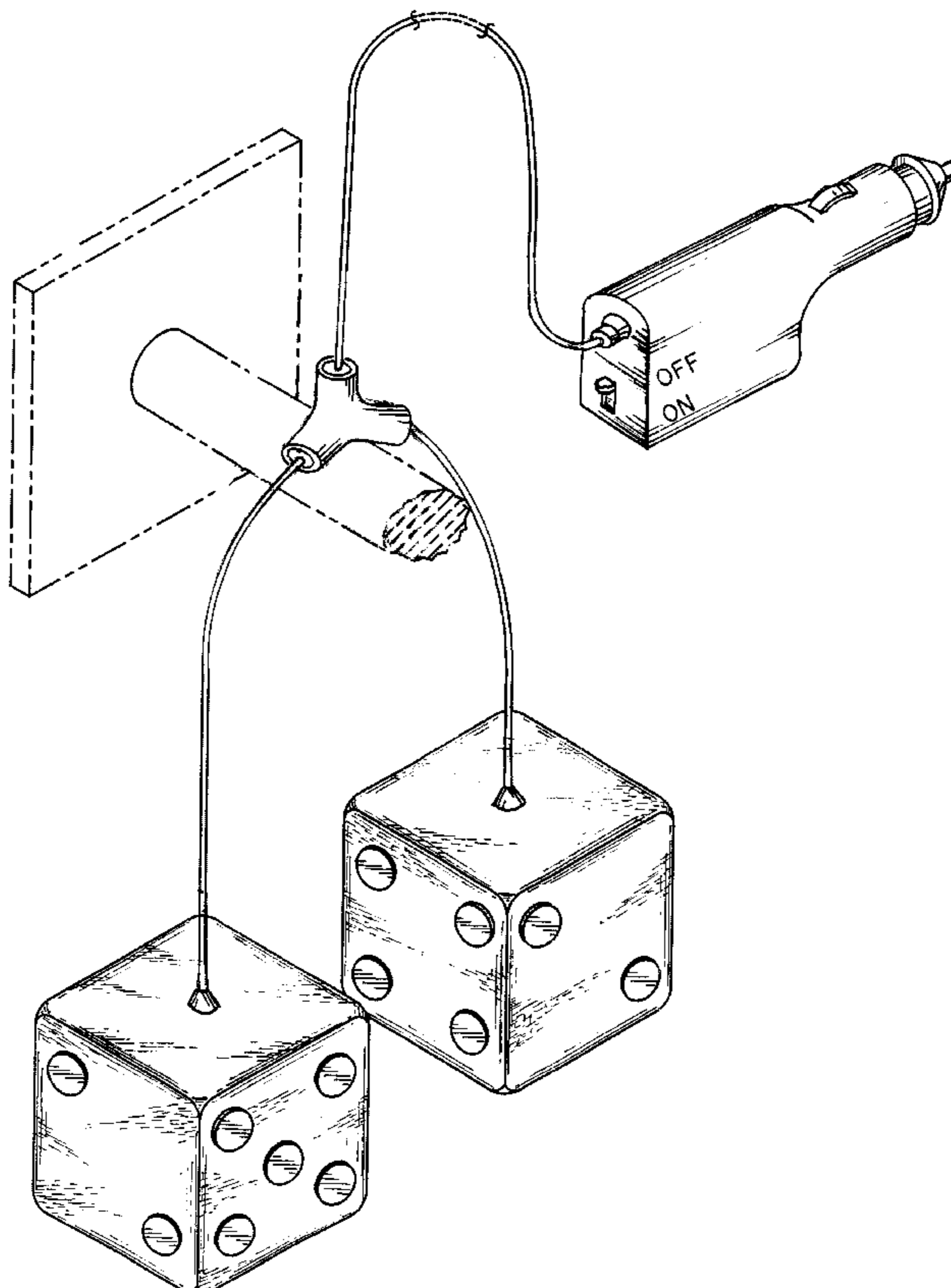
**DESCRIPTION**

FIG. 1 is a perspective view, taken from the top and left/front side of my novel vehicle dice shown engaged with a car mirror, or other like hook/nail for hanging the fuzzy dice from another surface; and,

FIG. 2 is another perspective view, taken from the bottom and right/rear side of my fuzzy dice.

The broken line showing of environment is for illustrative purposes only and forms no part of the claimed design; The cord is shown broken away in FIGS. 1 and 2 to indicate indeterminate length.

**1 Claim, 2 Drawing Sheets**



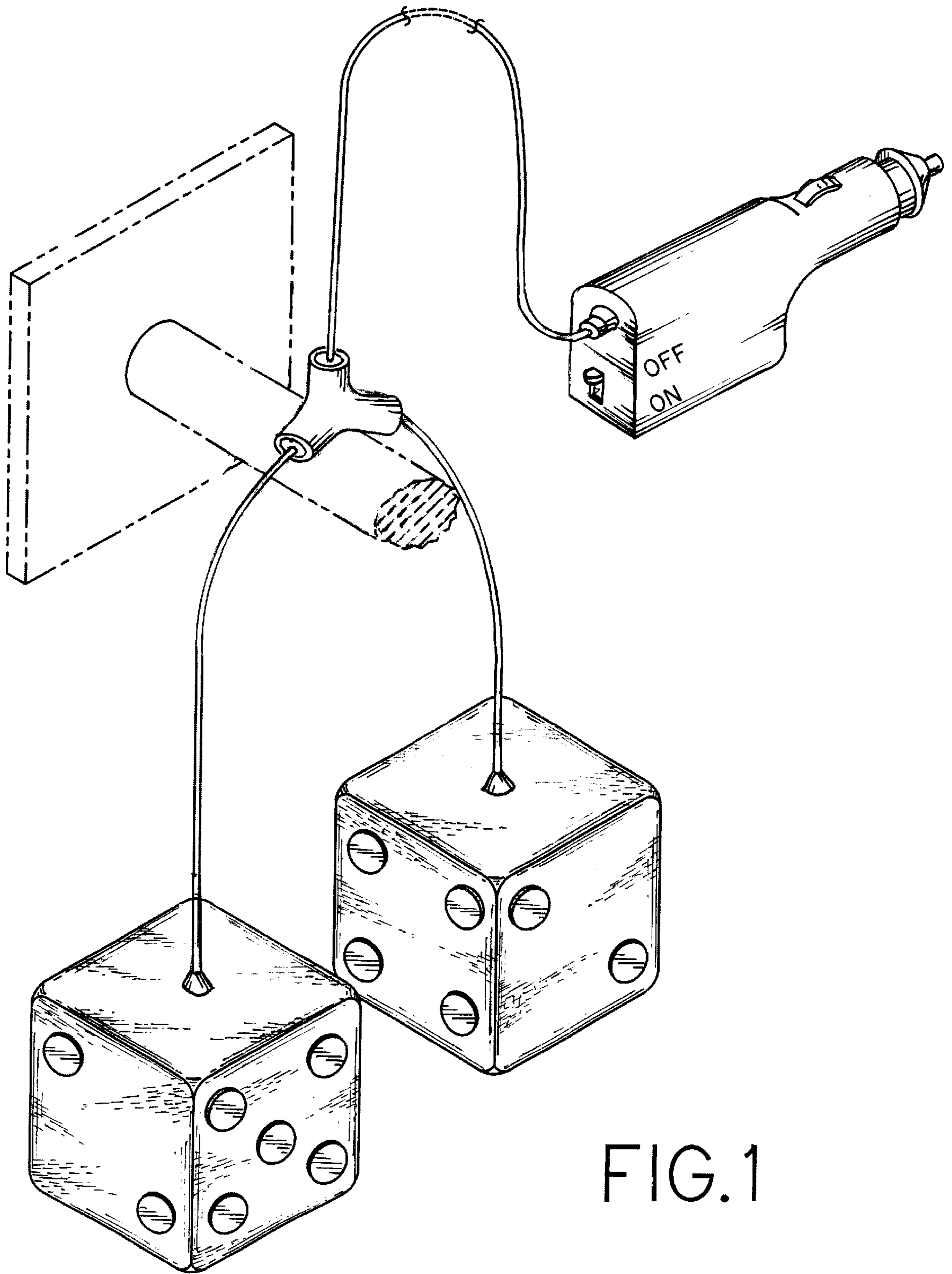


FIG.1

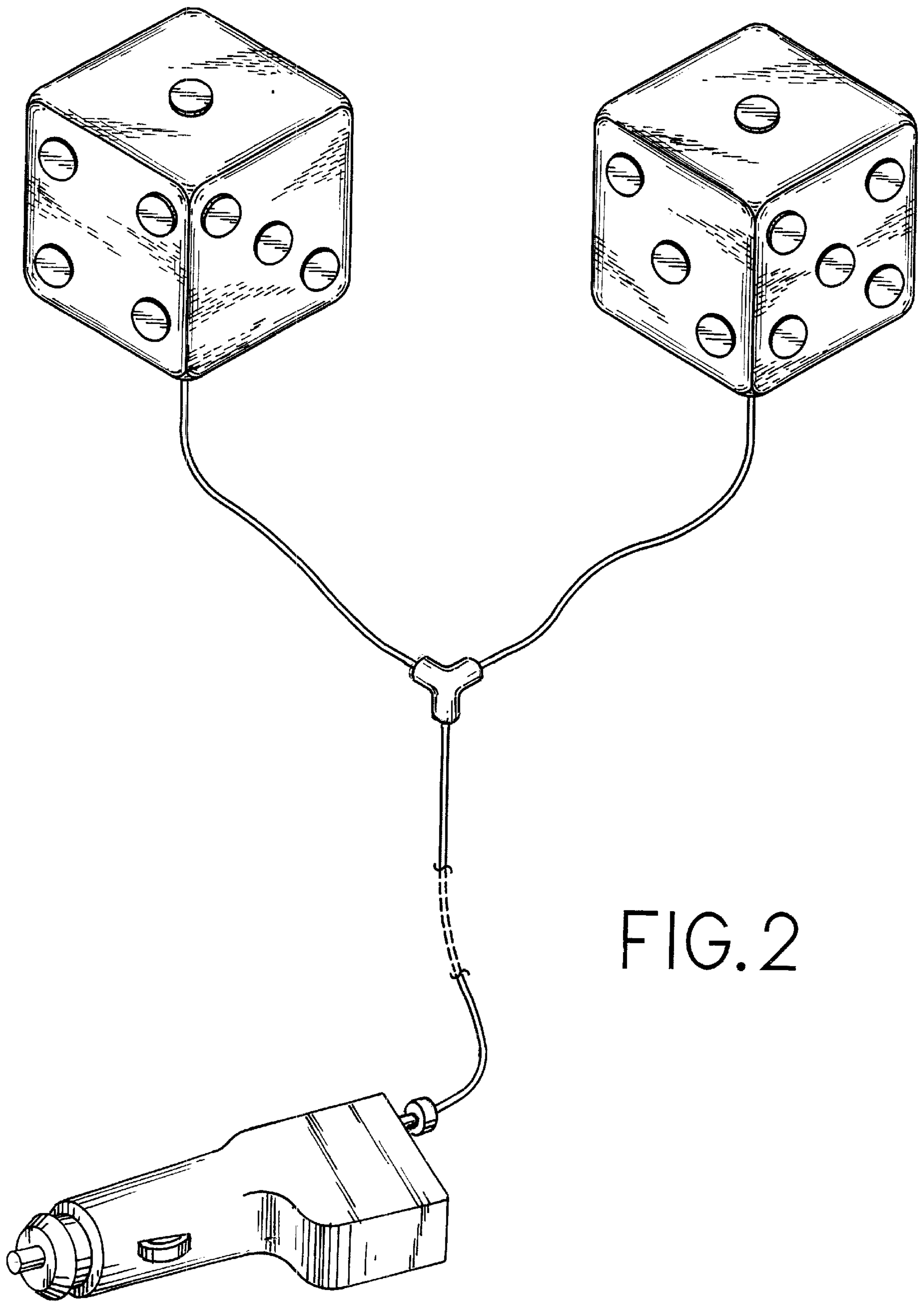


FIG. 2