



US00D469732S

(12) **United States Design Patent**
Lee, Jr. et al.

(10) **Patent No.:** **US D469,732 S**

(45) **Date of Patent:** **** Feb. 4, 2003**

(54) **SPREADER BOTTOM CROWN OF AN
OUTRIGGER ASSEMBLY**

5,592,893 A * 1/1997 Jordan et al. 114/255

* cited by examiner

(76) Inventors: **Roswell E. Lee, Jr.**, 1612 Granada
Blvd., Coral Gables, FL (US) 33134;
Brian D. Lee, 518 Almeria, Coral
Gables, FL (US) 33134

Primary Examiner—Lisa Lichtenstein
(74) *Attorney, Agent, or Firm*—Malloy & Malloy, P.A.

(**) Term: **14 Years**

(57) **CLAIM**

The ornamental design for a spreader bottom crown of an
outrigger assembly, as shown and described.

(21) Appl. No.: **29/152,539**

DESCRIPTION

(22) Filed: **Dec. 21, 2001**

(51) **LOC (7) Cl.** **12-06**

(52) **U.S. Cl.** **D12/317**

(58) **Field of Search** D12/317; 114/255,
114/315

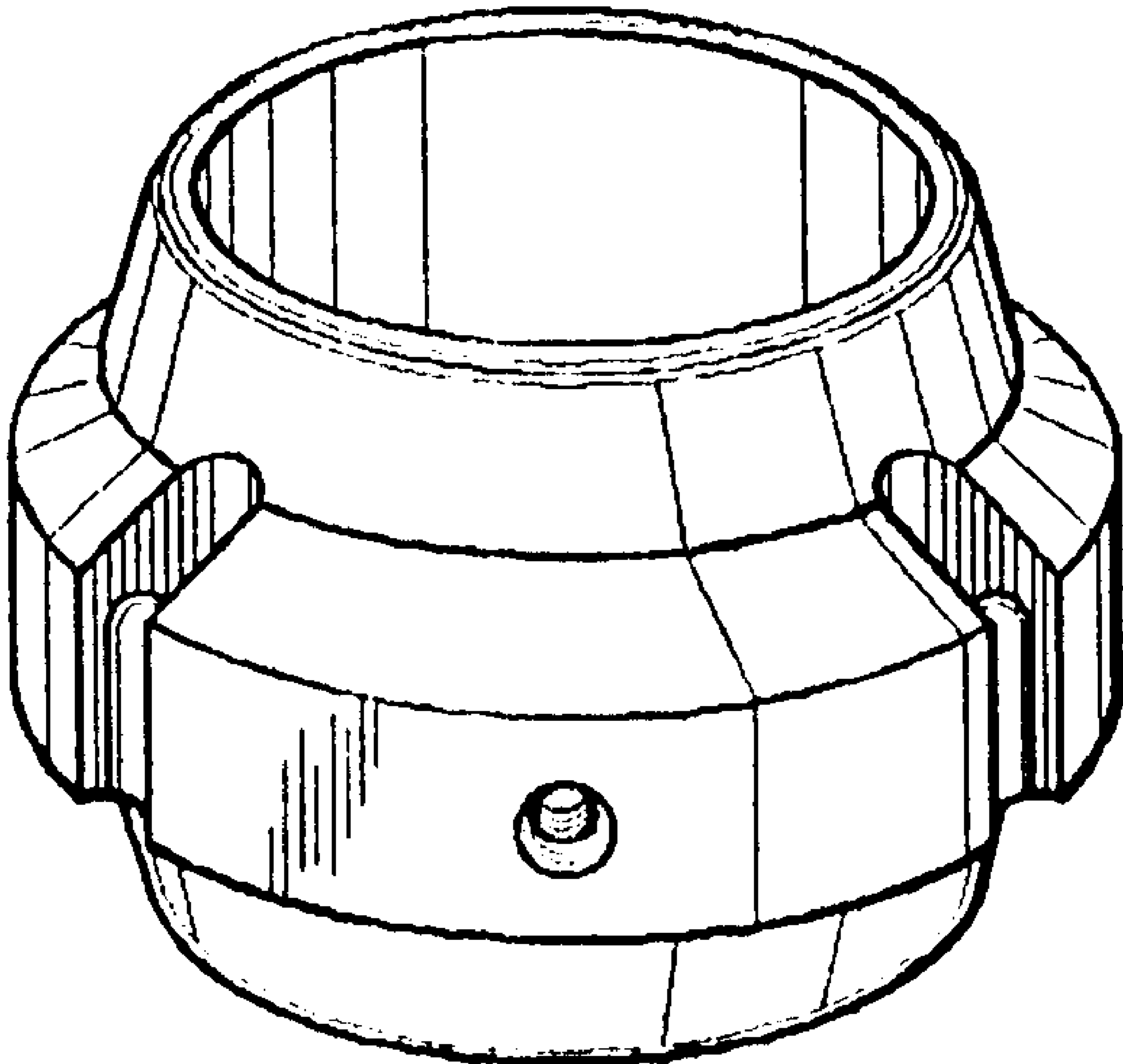
FIG. 1 is a top perspective view illustrating our design for
a spreader bottom crown of an outrigger assembly;
FIG. 2 is a front view thereof;
FIG. 3 is a left side view thereof;
FIG. 4 is a top view view thereof;
FIG. 5 is a right side view thereof;
FIG. 6 is a bottom view thereof; and,
FIG. 7 is a rear view thereof.

(56) **References Cited**

U.S. PATENT DOCUMENTS

D249,664 S * 9/1978 Verson D12/70

1 Claim, 2 Drawing Sheets



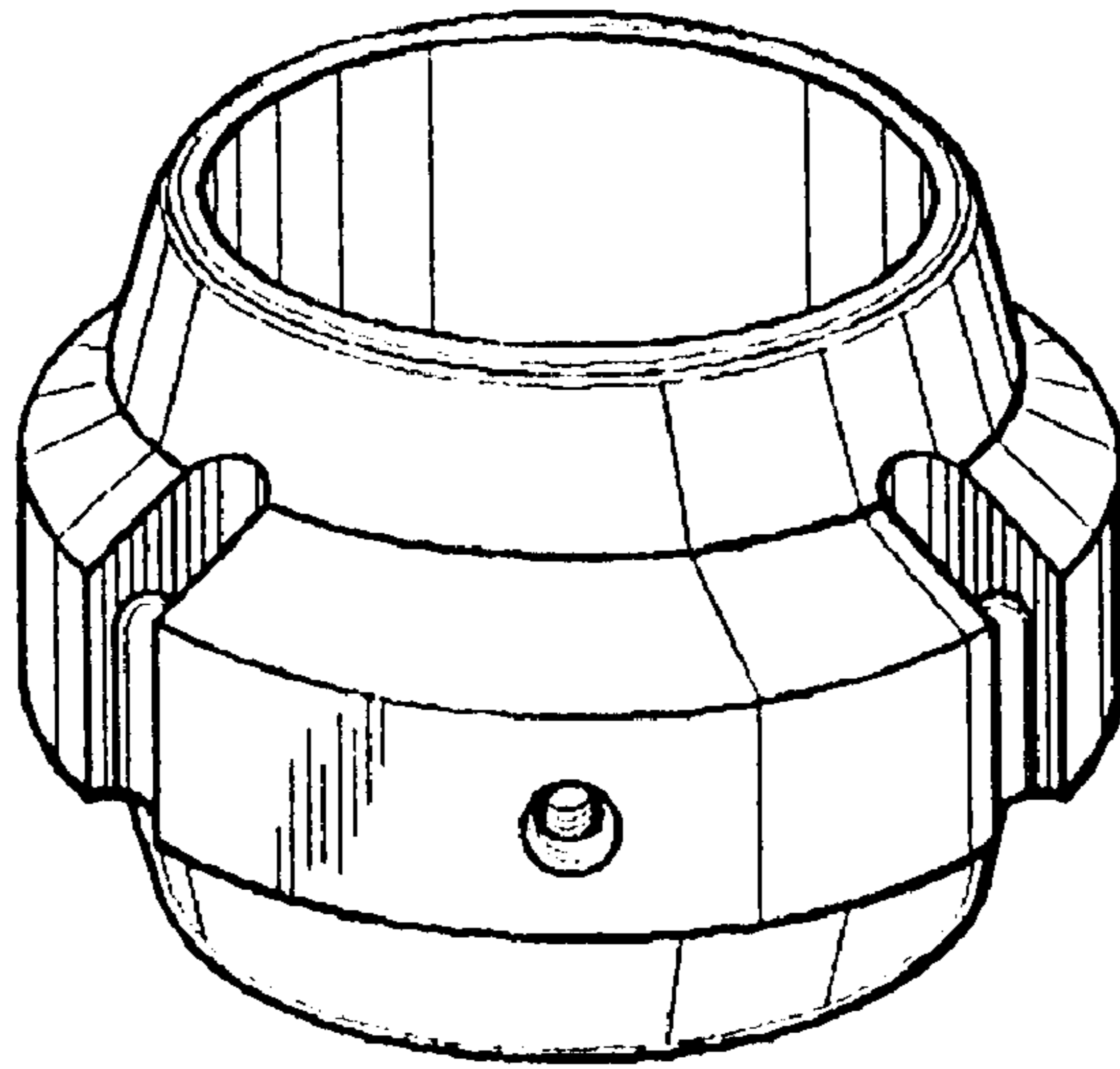


FIG. 1

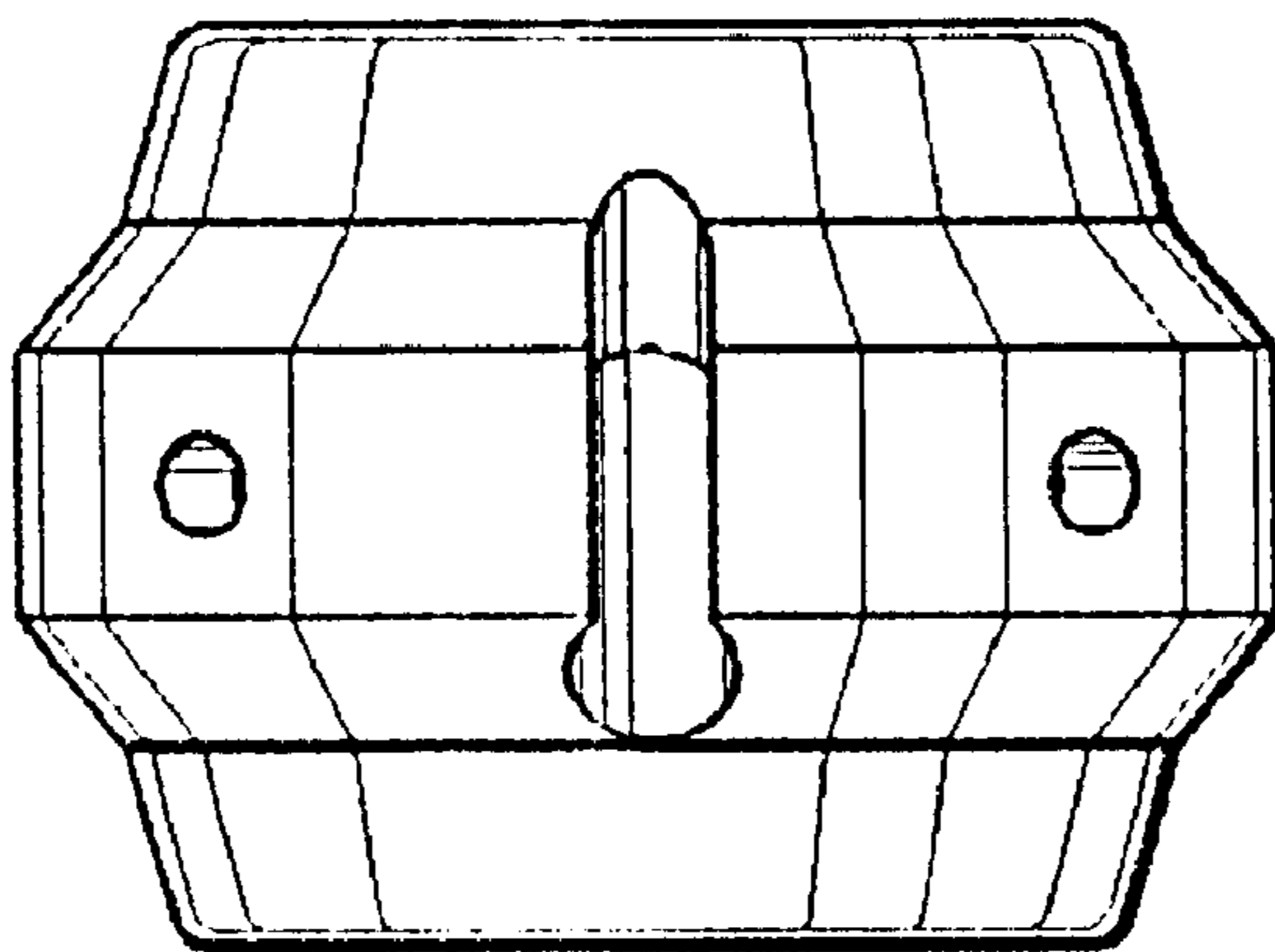


FIG. 7

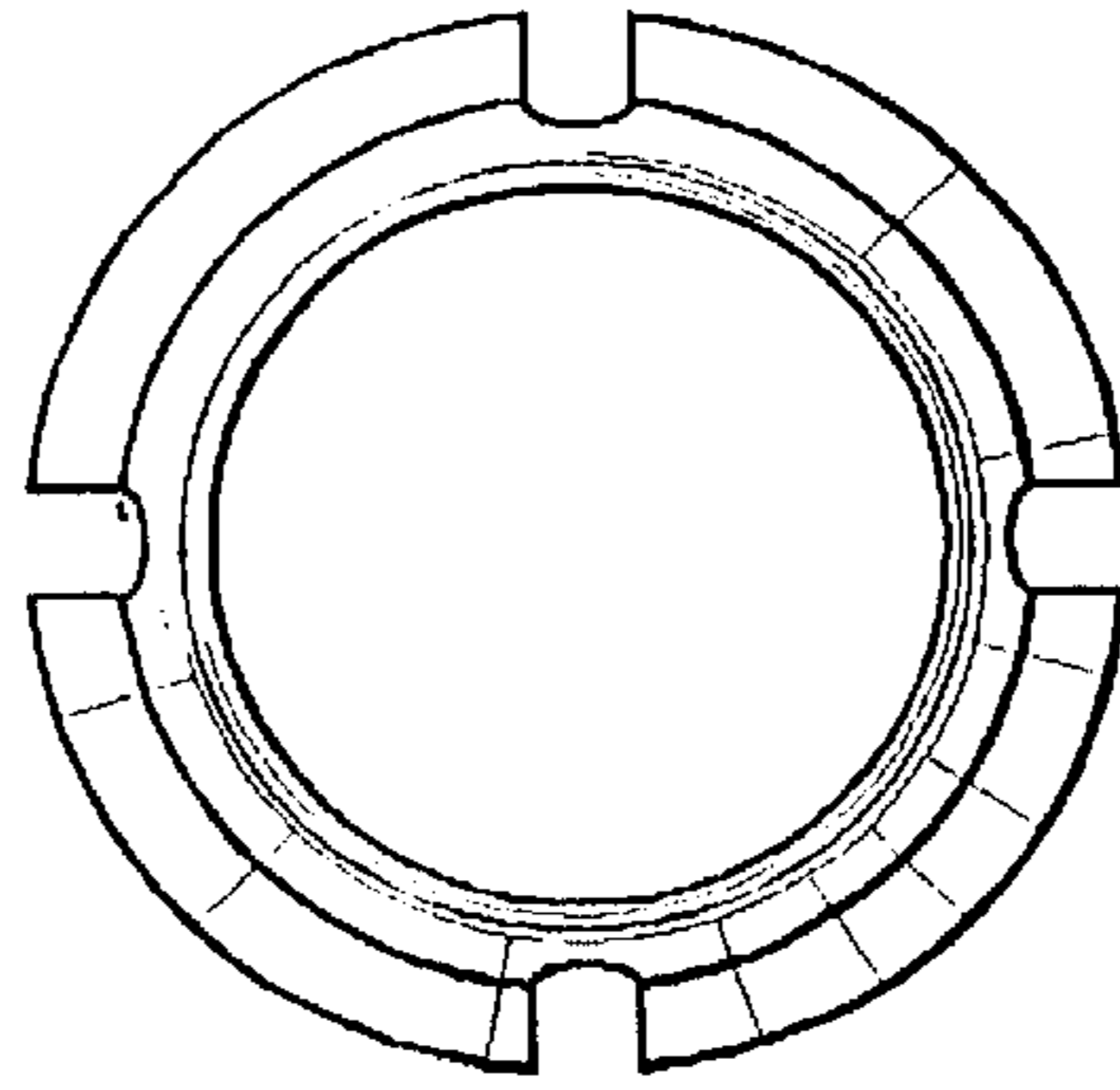


FIG. 4

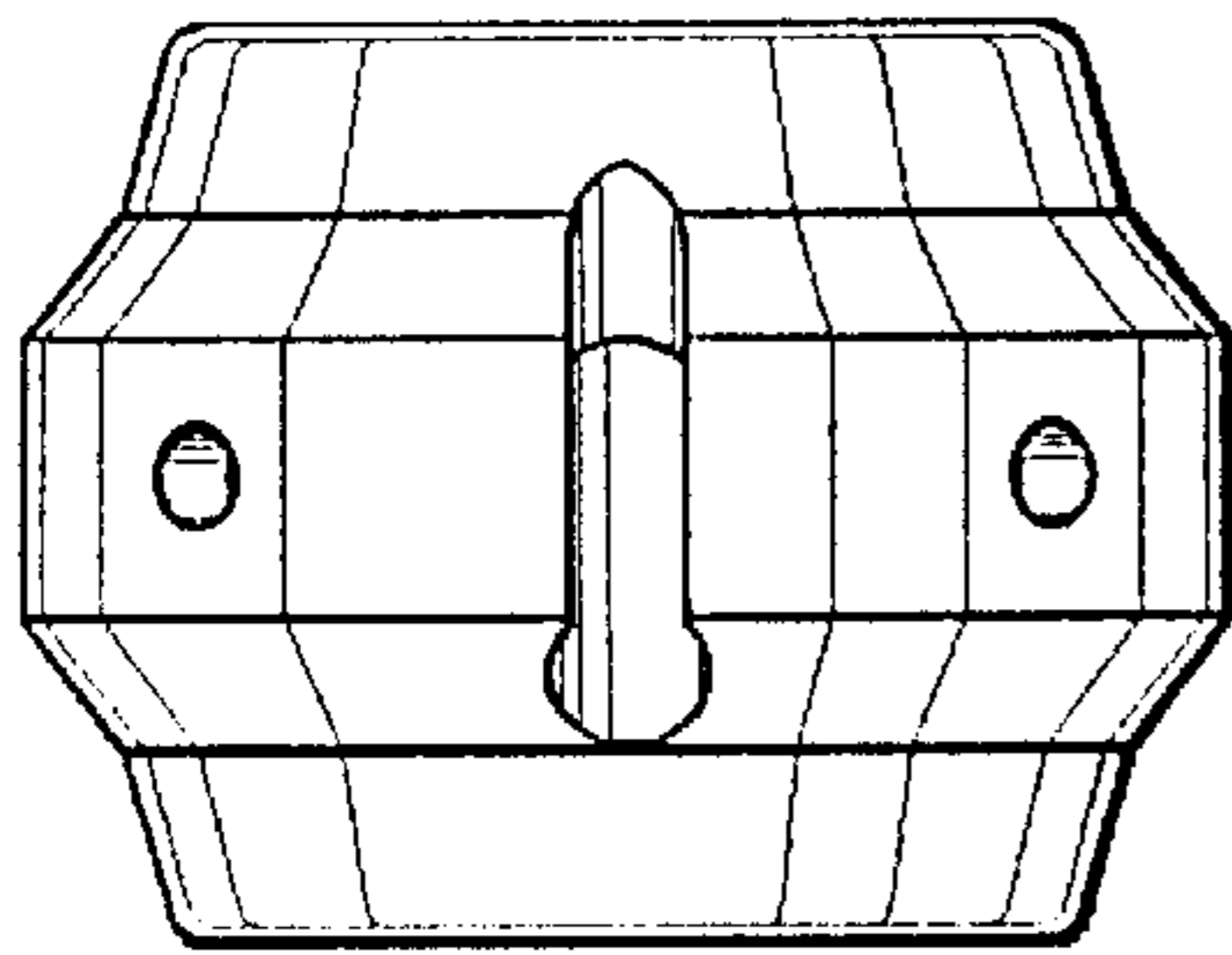


FIG. 3

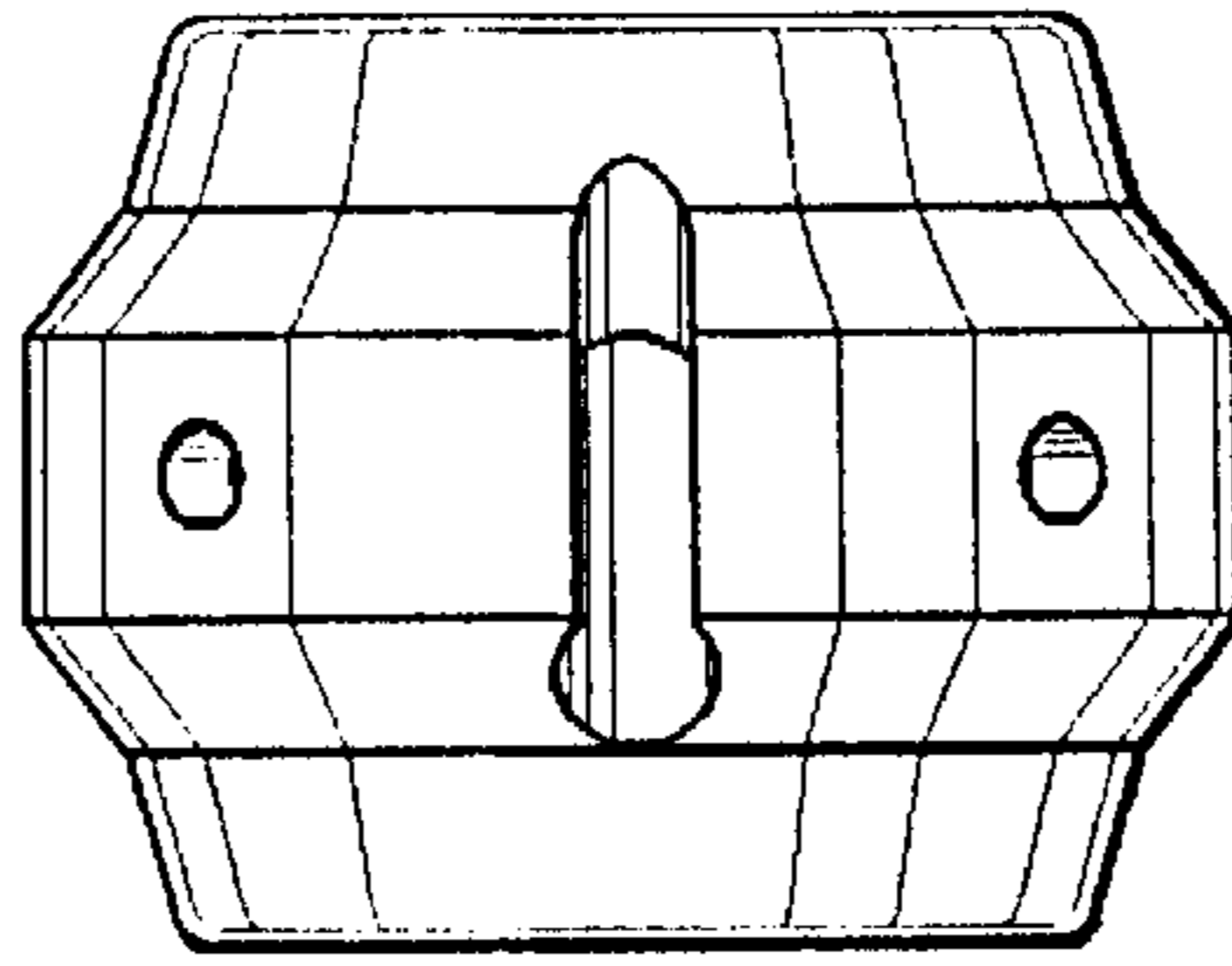


FIG. 2

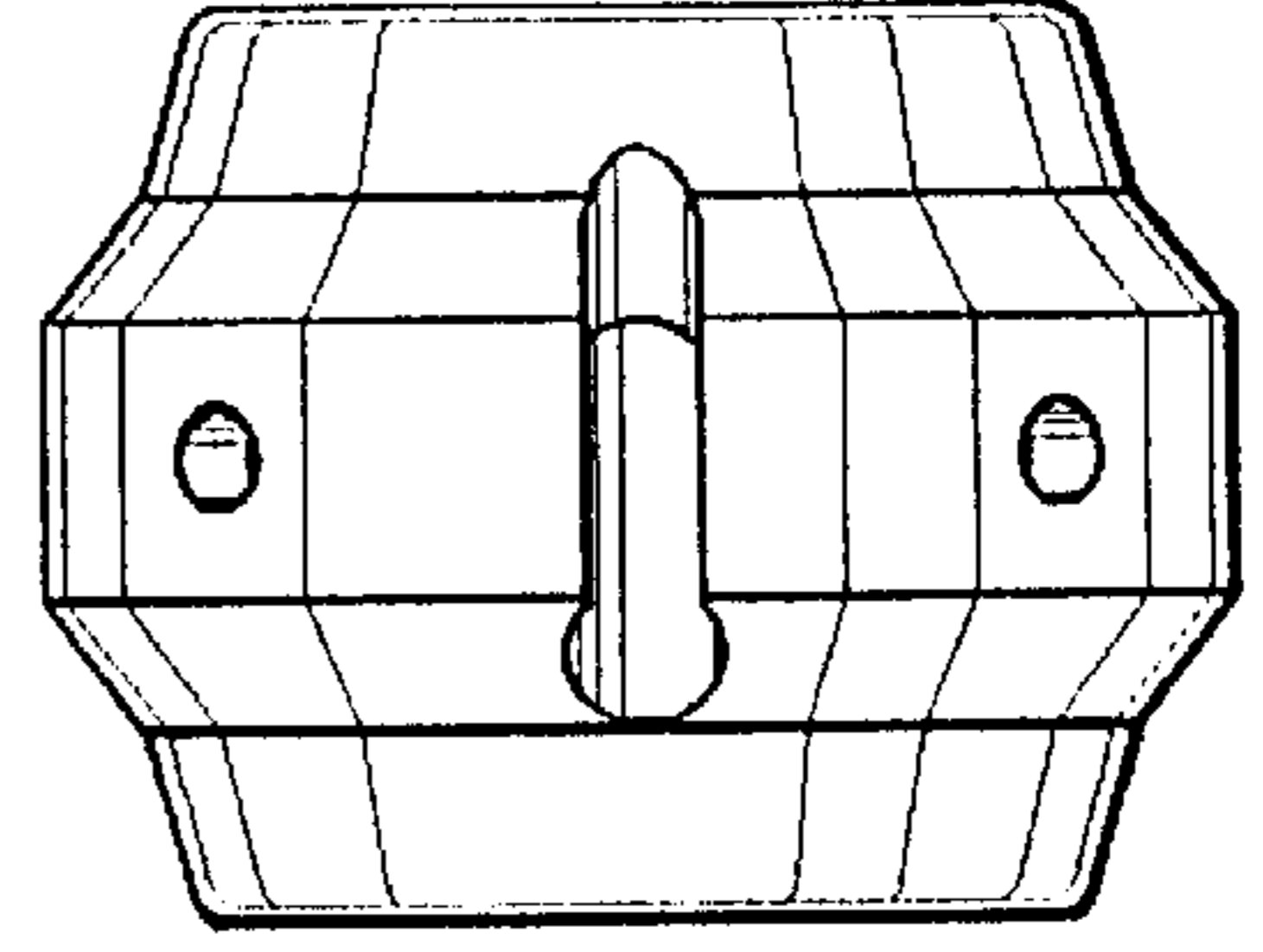


FIG. 5

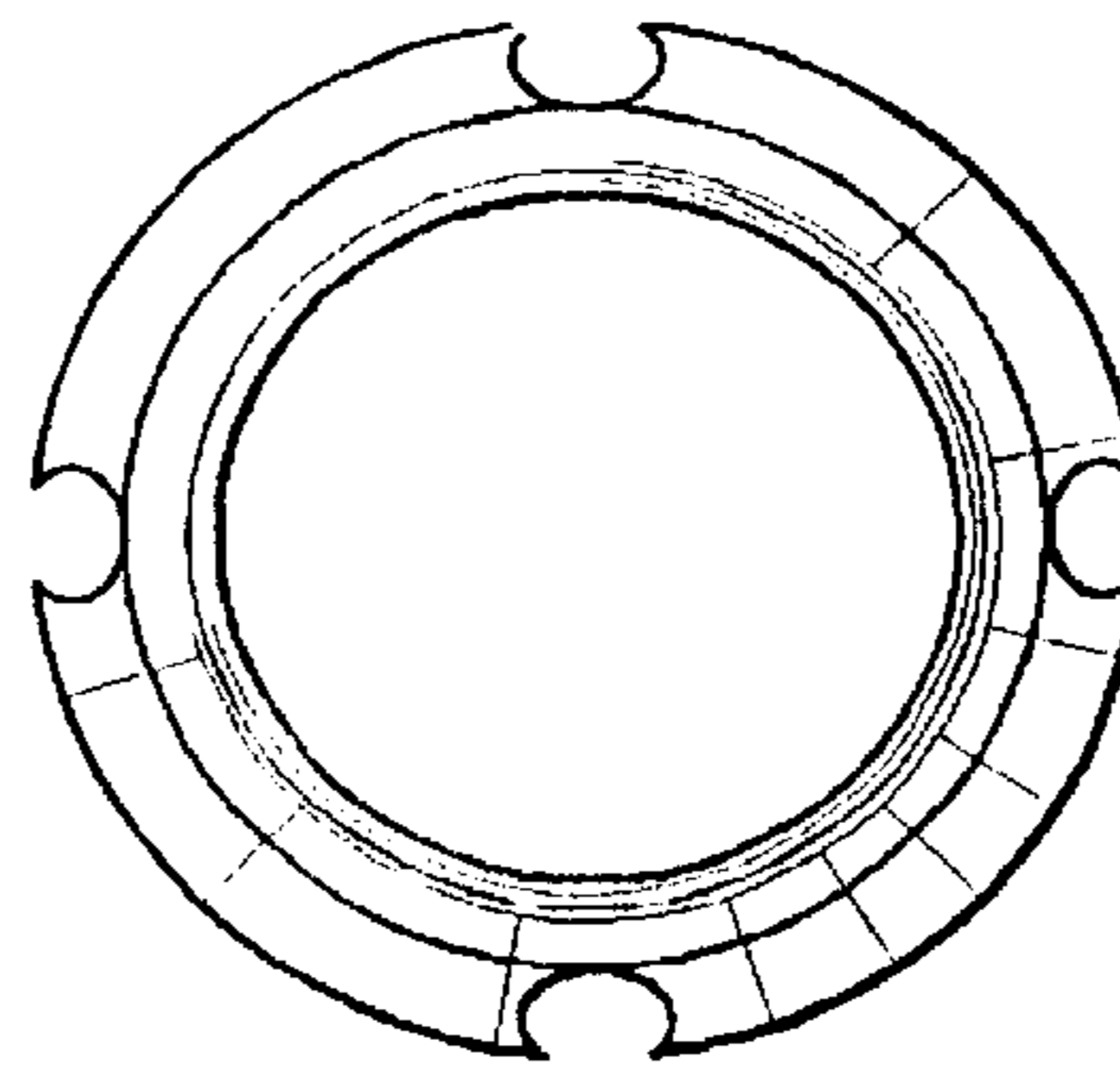


FIG. 6