



US00D469731S

(12) **United States Design Patent**
Geer

(10) **Patent No.:** **US D469,731 S**

(45) **Date of Patent:** **** Feb. 4, 2003**

(54) **DOUBLE BLADED WINDSHIELD WIPER WITH A CENTRAL SPONGE PORTION**

D376,575 S * 12/1996 Chen D12/219
D380,434 S * 7/1997 Chen D12/219
D382,848 S * 8/1997 Chen D12/219
D414,456 S * 9/1999 Hussaini et al. D12/219

(76) **Inventor:** **JoAnn Geer**, 7102 Redhawk Cir., Anchorage, AK (US) 99507

* cited by examiner

(**) **Term:** **14 Years**

Primary Examiner—Stacia Cadmus

(21) **Appl. No.:** **29/155,720**

(74) *Attorney, Agent, or Firm*—Michael Tavella

(22) **Filed:** **Feb. 15, 2002**

(57) **CLAIM**

(51) **LOC (7) Cl.** **12-06**

The ornamental design for a double bladed windshield wiper with a central sponge portion, as shown and described.

(52) **U.S. Cl.** **D12/219**

DESCRIPTION

(58) **Field of Search** D12/219, 220;
15/250.31–250.33, 250.351, 250.38, 250.4,
250.41, 250.201, 250.451–250.454

FIG. 1 is a left side elevation view of a double bladed windshield wiper with a central sponge portion showing my new design, the opposite side being a mirror image.

(56) **References Cited**

FIG. 2 is bottom plan view thereof

U.S. PATENT DOCUMENTS

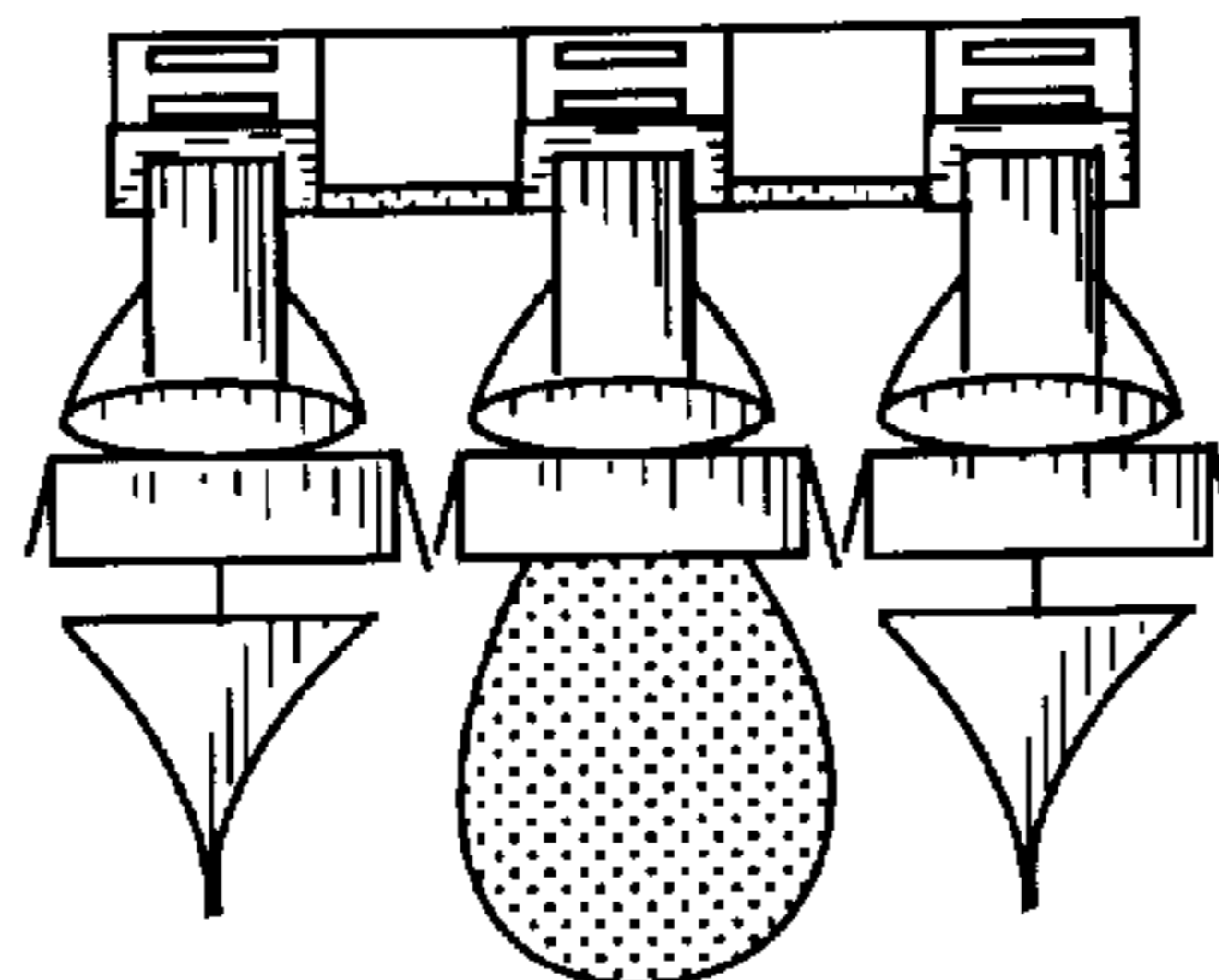
FIG. 3 is top plan view thereof

- D310,193 S * 8/1990 Charet D12/219
- D329,034 S * 9/1992 Charet et al. D12/219
- D336,739 S * 6/1993 Wu et al. D12/219
- D345,330 S * 3/1994 Yang D12/219
- D347,610 S * 6/1994 Charet et al. D12/219
- D349,082 S * 7/1994 Brabender D12/219
- D356,287 S * 3/1995 Kinder D12/220

FIG. 4 is an enlarged right end elevation view thereof, the opposite side being a mirror image; and,

FIG. 5 is a partial perspective view of the right end of the double bladed windshield wiper with a central sponge portion.

1 Claim, 4 Drawing Sheets



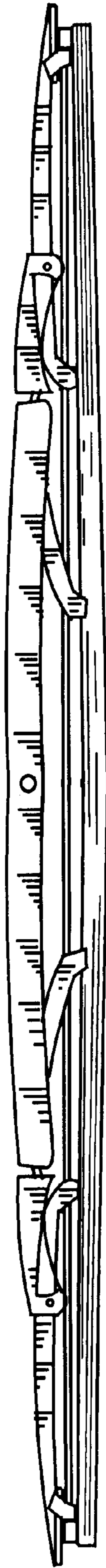


Figure 1

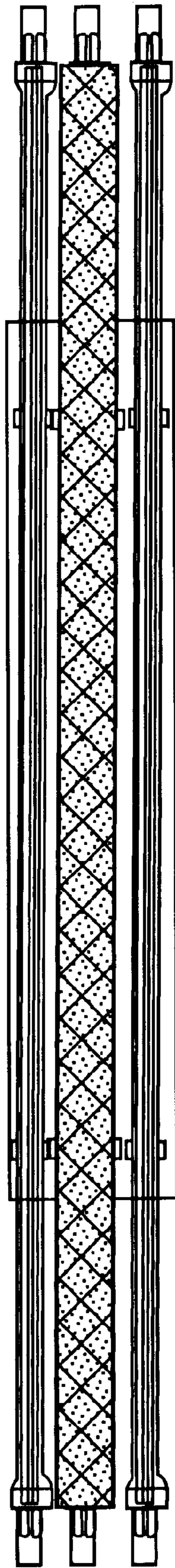


Figure 2

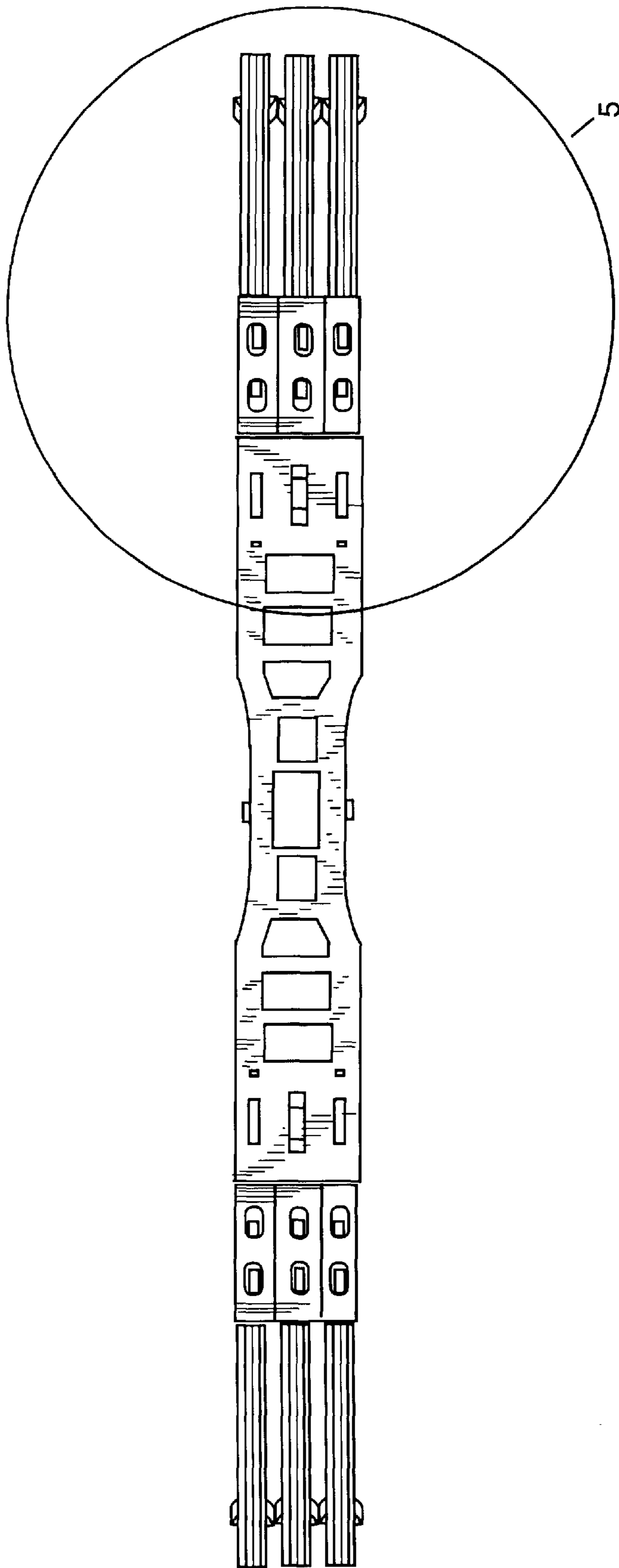


Figure 3

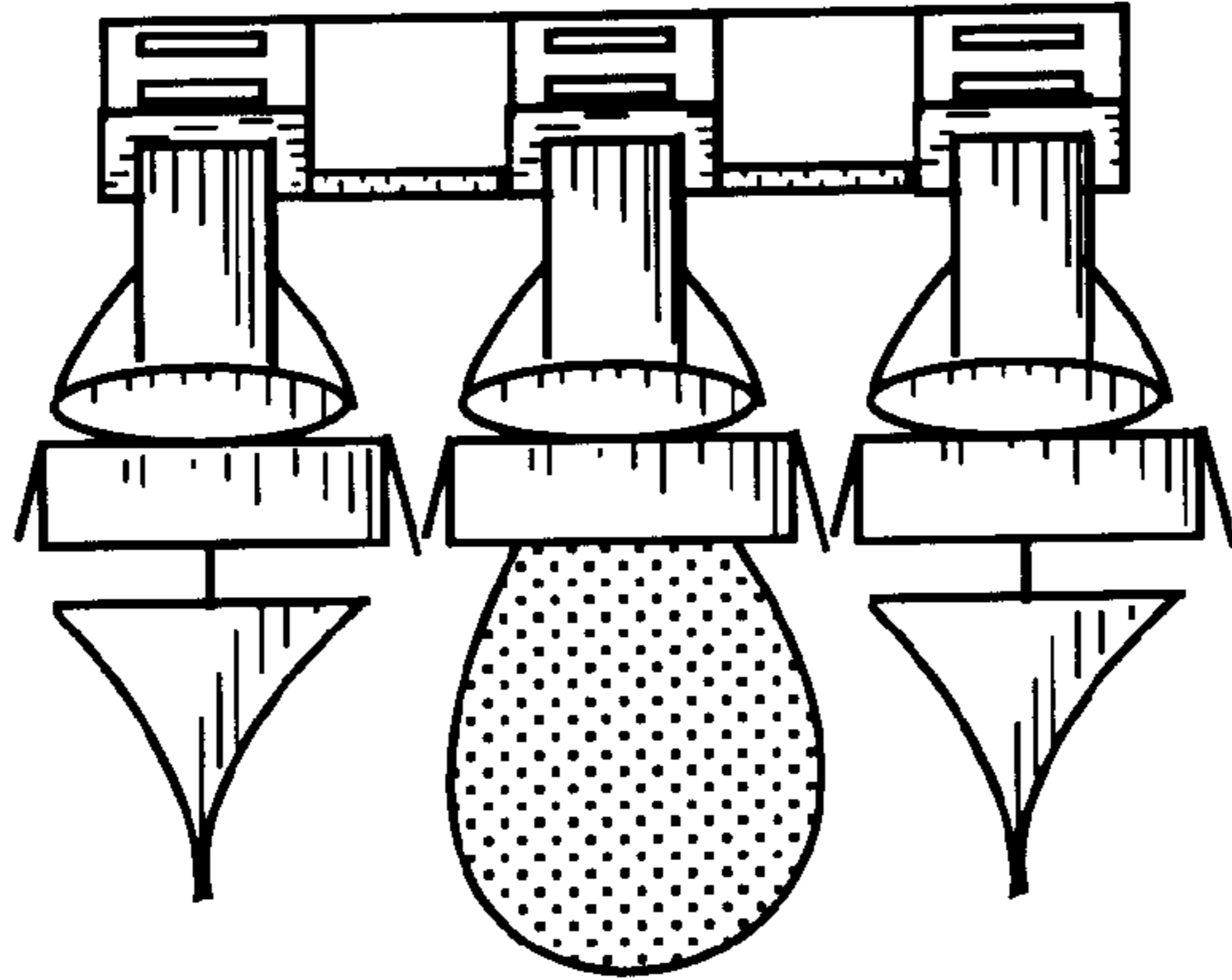


Figure 4

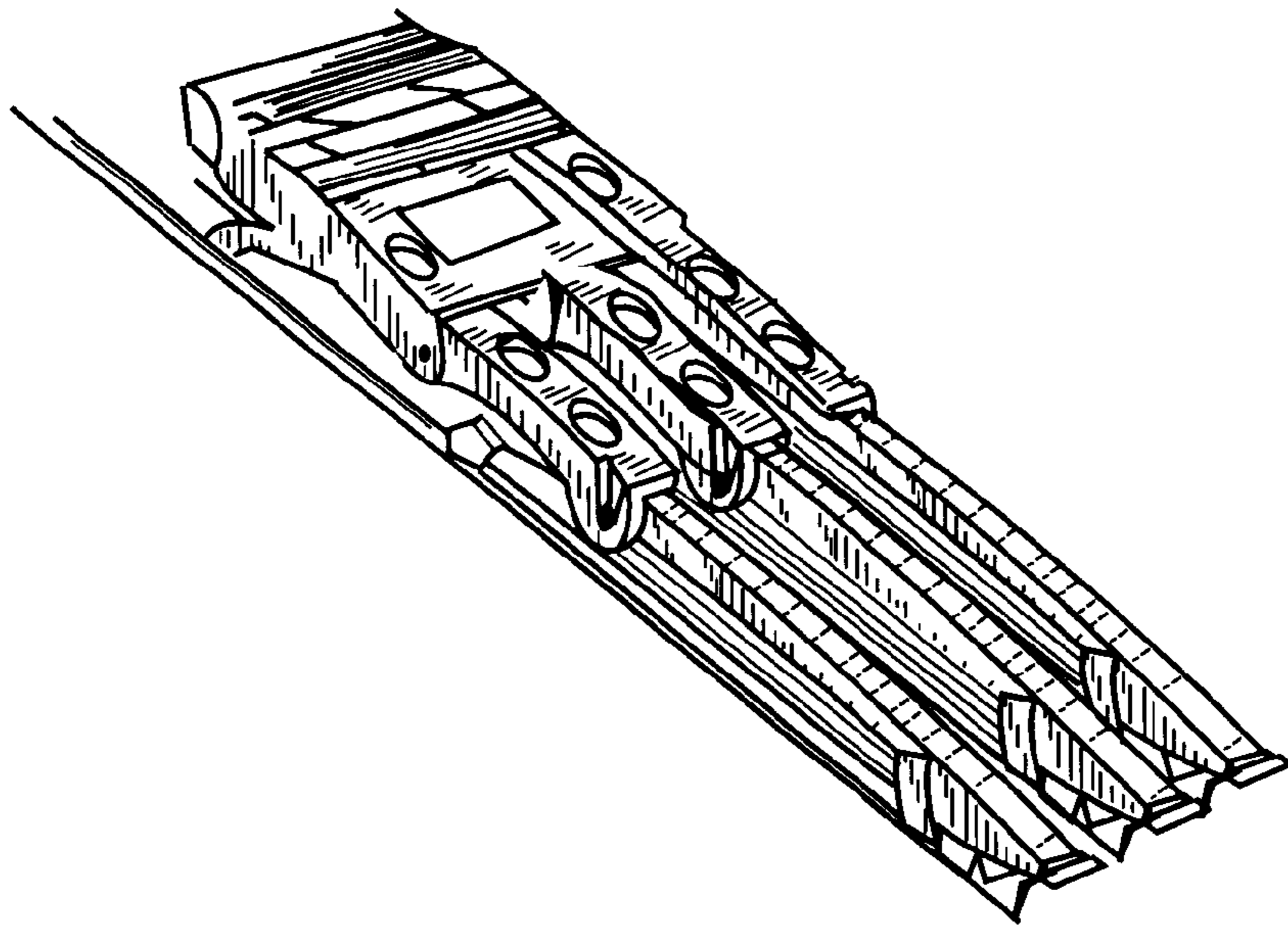


Figure 5