



US00D469728S

(12) **United States Design Patent**
Kataoka

(10) **Patent No.:** **US D469,728 S**

(45) **Date of Patent:** **** Feb. 4, 2003**

(54) **AUTOMOTIVE WHEEL**

(75) **Inventor:** **Tatsuya Kataoka, Ota Gunma (JP)**

(73) **Assignee:** **Karen Motor Sports Co, Carson, CA (US)**

(**) **Term:** **14 Years**

(21) **Appl. No.:** **29/158,137**

(22) **Filed:** **Apr. 1, 2002**

(51) **LOC (7) Cl.** **12-16**

(52) **U.S. Cl.** **D12/209**

(58) **Field of Search** **D12/204-211;**
301/37.101, 64.101, 65

D455,387 S	*	4/2002	McMath	D12/209
D455,703 S	*	4/2002	Foose	D12/211
D457,117 S	*	5/2002	McMath	D12/209
D457,477 S	*	5/2002	Chung	D12/209
D458,203 S	*	6/2002	Kataoka	D12/209
D458,572 S	*	6/2002	Fitzgerald	D12/209
D458,887 S	*	6/2002	Kataoka	D12/209
D460,729 S	*	7/2002	Khan	D12/209

* cited by examiner

Primary Examiner—Stacia Cadmus

(74) *Attorney, Agent, or Firm*—G. Donald Weber, Jr.

(57) **CLAIM**

The ornamental design for an automotive wheel, as shown and described.

DESCRIPTION

FIG. 1 is a perspective view of a first embodiment of the automotive wheel of the instant invention.

FIG. 2 is a side elevation view of the first embodiment of the automotive wheel of the instant invention.

FIG. 3 is a perspective view of a second embodiment of the automotive wheel of the instant invention; and,

FIG. 4 is a side elevation view of the second embodiment of the automotive wheel of the instant invention.

The broken line showing of environment is for illustrative purposes only and forms no part of the claimed design.

(56) **References Cited**

U.S. PATENT DOCUMENTS

D430,095 S	*	8/2000	Lotson	D12/211
D431,517 S	*	10/2000	Donikoglu	D12/209
D433,373 S	*	11/2000	Hussaini et al.	D12/209
D433,375 S	*	11/2000	Fitzgerald	D12/209
D436,907 S	*	1/2001	Ong	D12/209
D438,158 S	*	2/2001	Fitzgerald	D12/209
D438,159 S	*	2/2001	Kaucher	D12/209
D442,535 S	*	5/2001	Lotson	D12/209
D445,390 S	*	7/2001	Wartono	D12/209
D452,674 S	*	1/2002	Wartono	D12/209
D454,823 S	*	3/2002	McMath	D12/209
D454,824 S	*	3/2002	McMath	D12/209

1 Claim, 2 Drawing Sheets

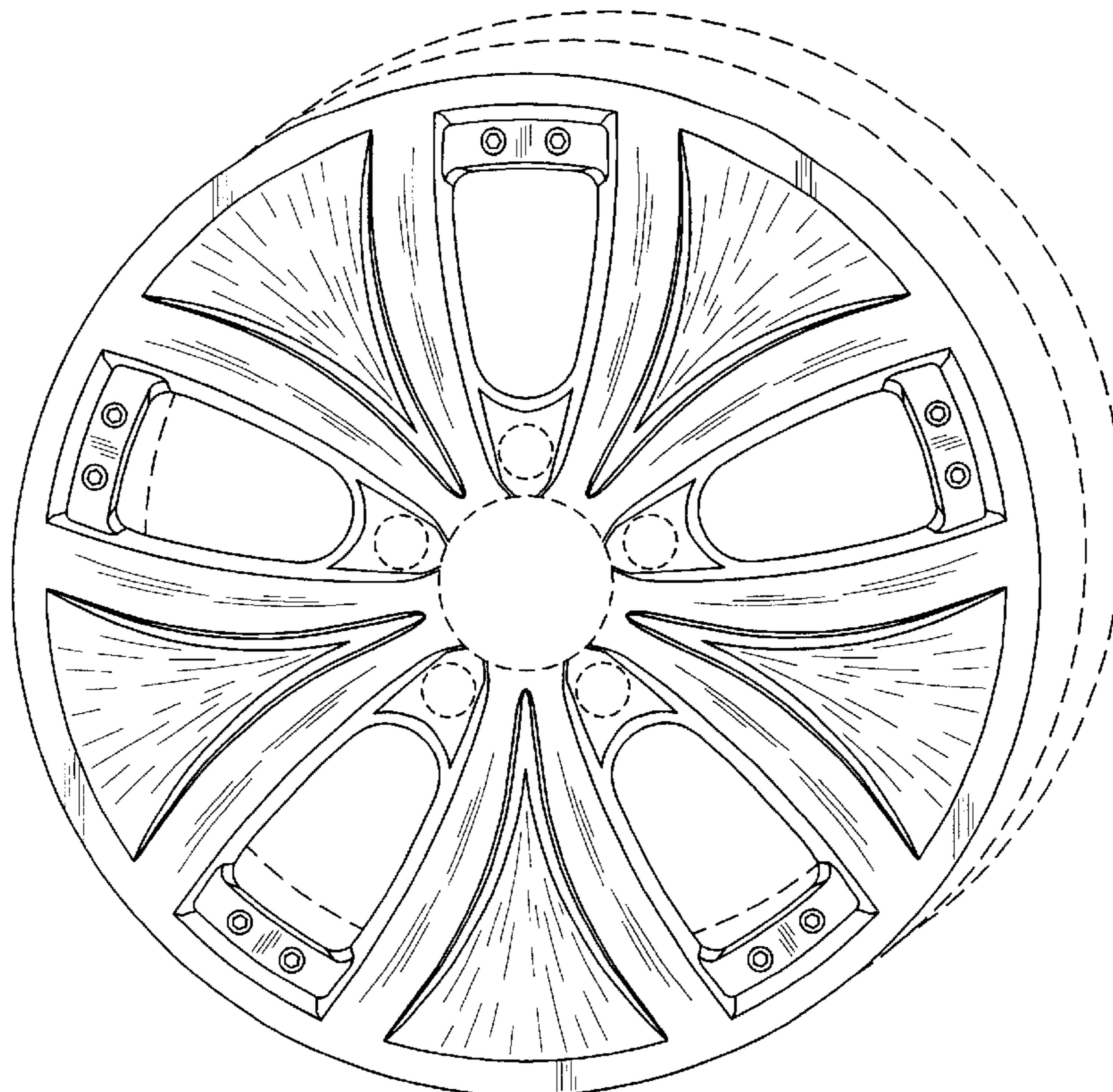


Fig. 1

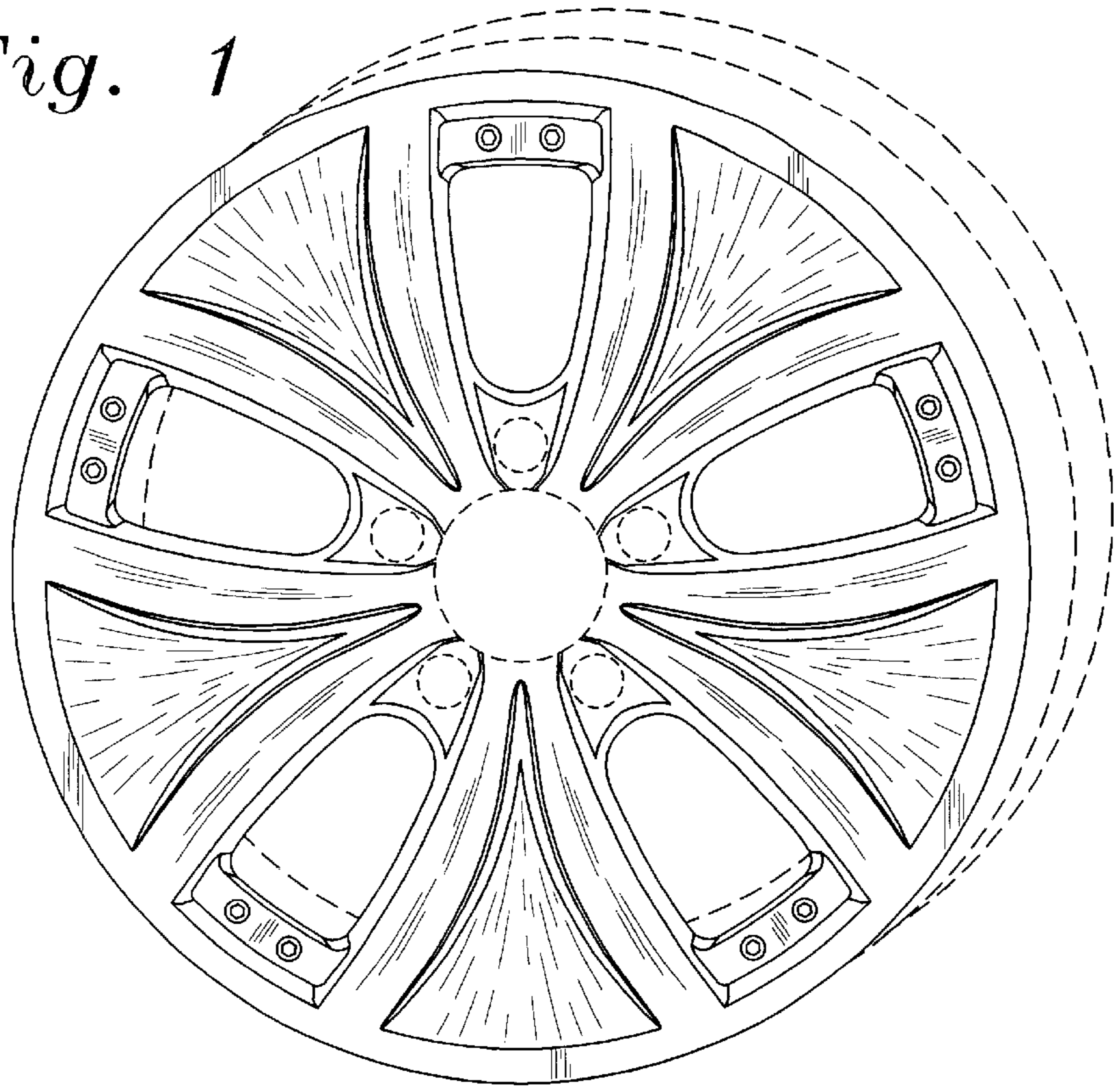


Fig. 2

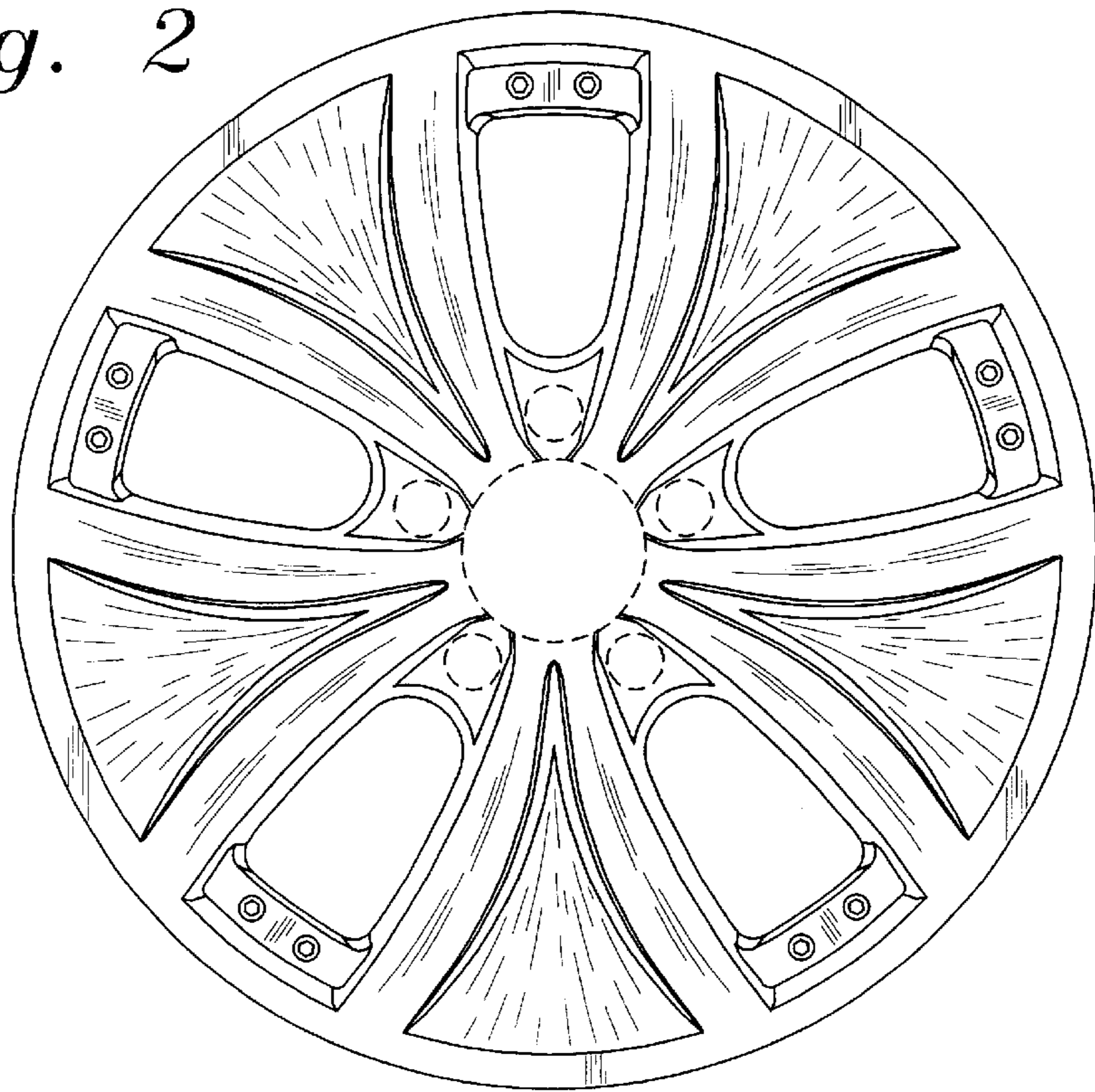


Fig. 3

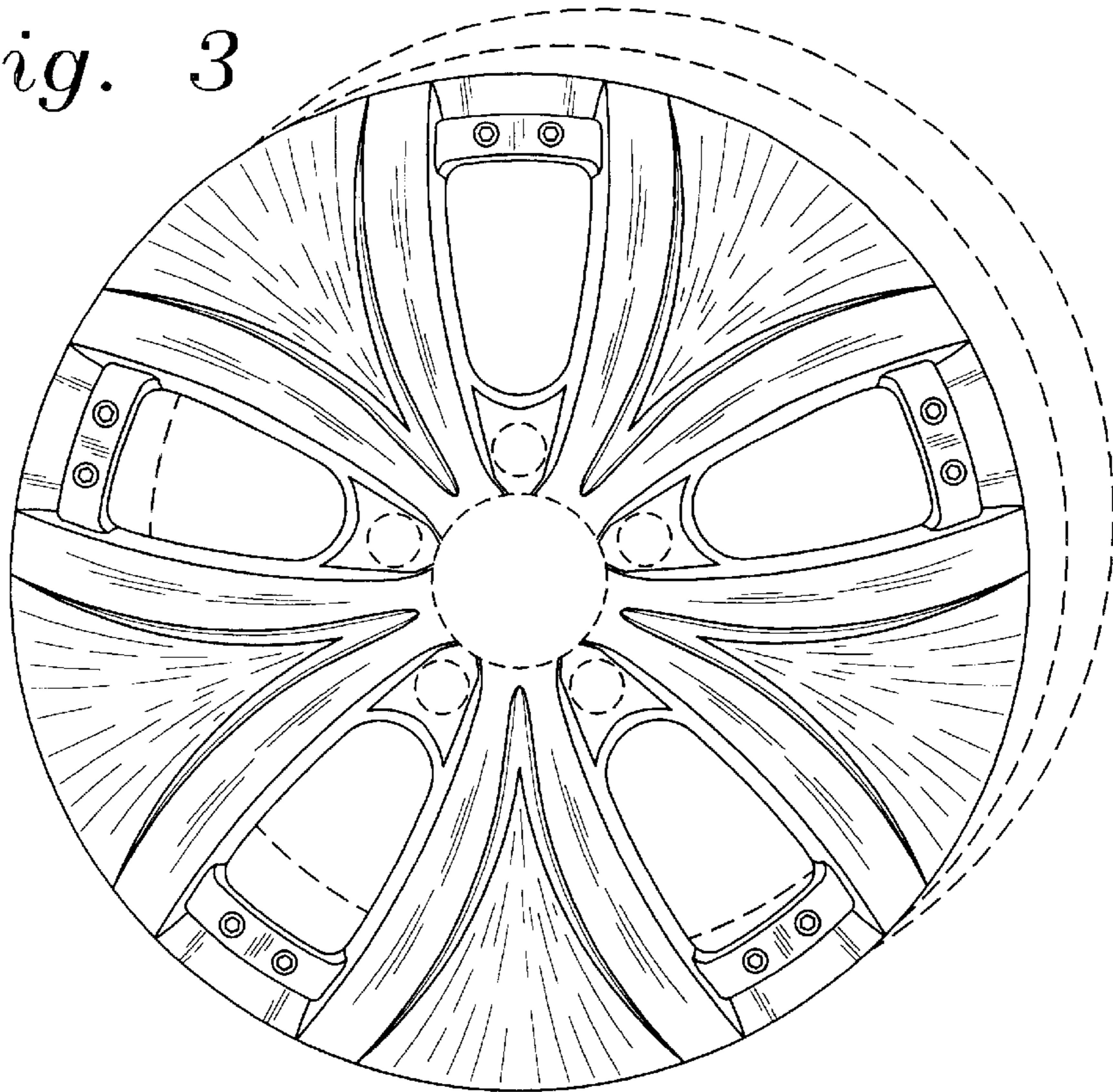


Fig. 4

