



US00D469727S

(12) **United States Design Patent**
Lenz

(10) **Patent No.:** **US D469,727 S**

(45) **Date of Patent:** **** Feb. 4, 2003**

(54) **FRONT FACE OF A VEHICLE WHEEL**

(75) Inventor: **Mathias Lenz**, Stuttgart (DE)

(73) Assignee: **DaimlerChrysler AG**, Stuttgart (DE)

(**) Term: **14 Years**

(21) Appl. No.: **29/156,942**

(22) Filed: **Mar. 12, 2002**

(30) **Foreign Application Priority Data**

Oct. 1, 2001 (DE) 4 01 08 666

(51) **LOC (7) Cl.** **12-16**

(52) **U.S. Cl.** **D12/209**

(58) **Field of Search** D12/204-211;
301/37.101, 64.101, 65

(56) **References Cited**

U.S. PATENT DOCUMENTS

- D375,478 S * 11/1996 Pfeiffer D12/209
- D376,572 S * 12/1996 Pfeiffer D12/209
- D388,044 S * 12/1997 Maier D12/204

- D408,343 S * 4/1999 Sacco et al. D12/209
- D420,967 S * 2/2000 Sacco et al. D12/209
- D446,179 S * 8/2001 Sinkwitz D12/209
- D451,872 S * 12/2001 Arellano D12/209
- D454,528 S * 3/2002 Brown et al. D12/209
- D455,992 S * 4/2002 Chung D12/209

* cited by examiner

Primary Examiner—Stacia Cadmus

(74) *Attorney, Agent, or Firm*—Crowell & Moring LLP

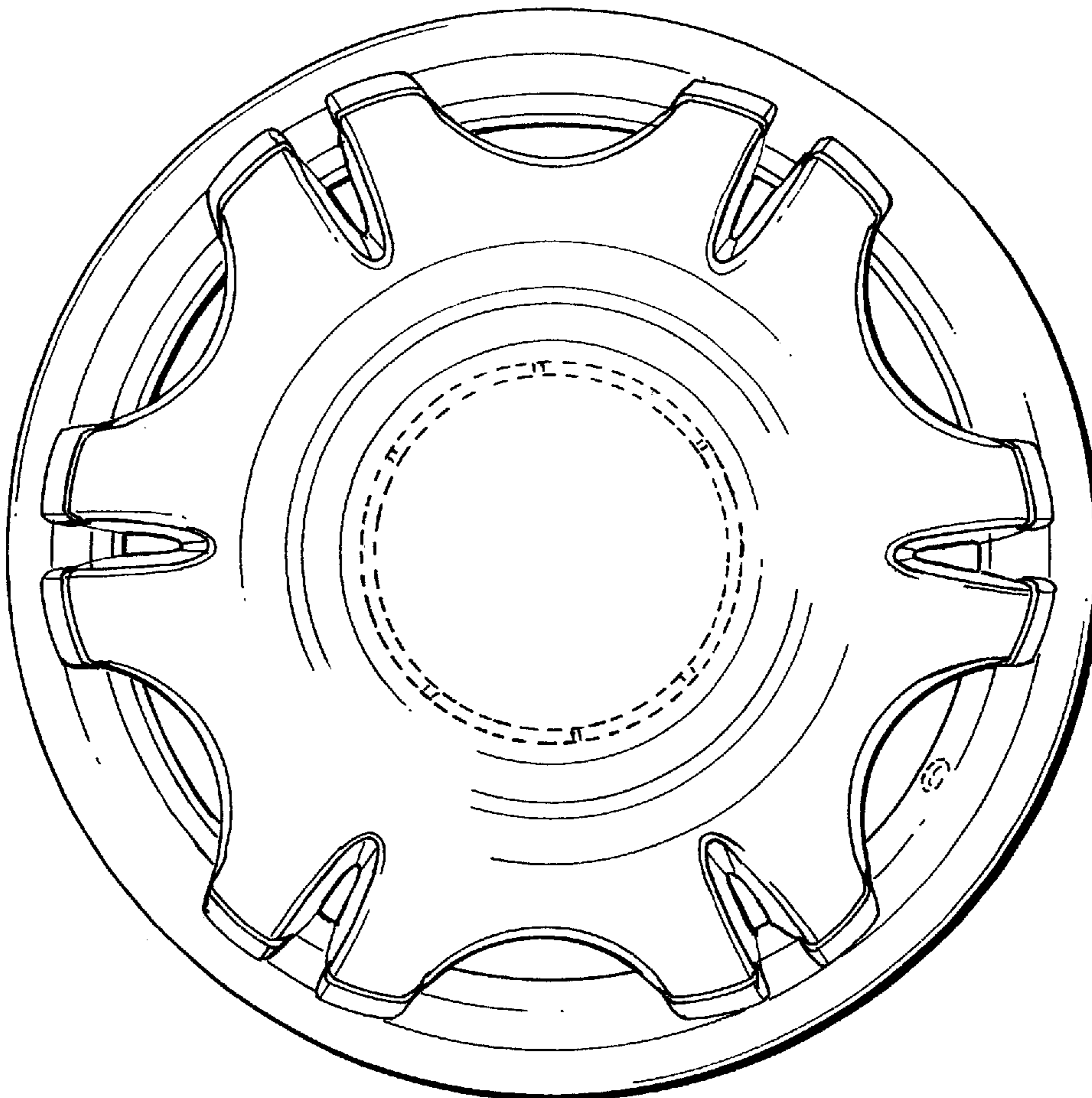
(57) **CLAIM**

The ornamental design for a front face of a vehicle wheel, as shown and described.

DESCRIPTION

FIG. 1 is a front view of a front face of a vehicle wheel according to my novel design; and, FIG. 2 is a perspective view of the front face of a vehicle wheel according to my novel design. The dash lines included depict environment and are not part of the claimed design.

1 Claim, 1 Drawing Sheet



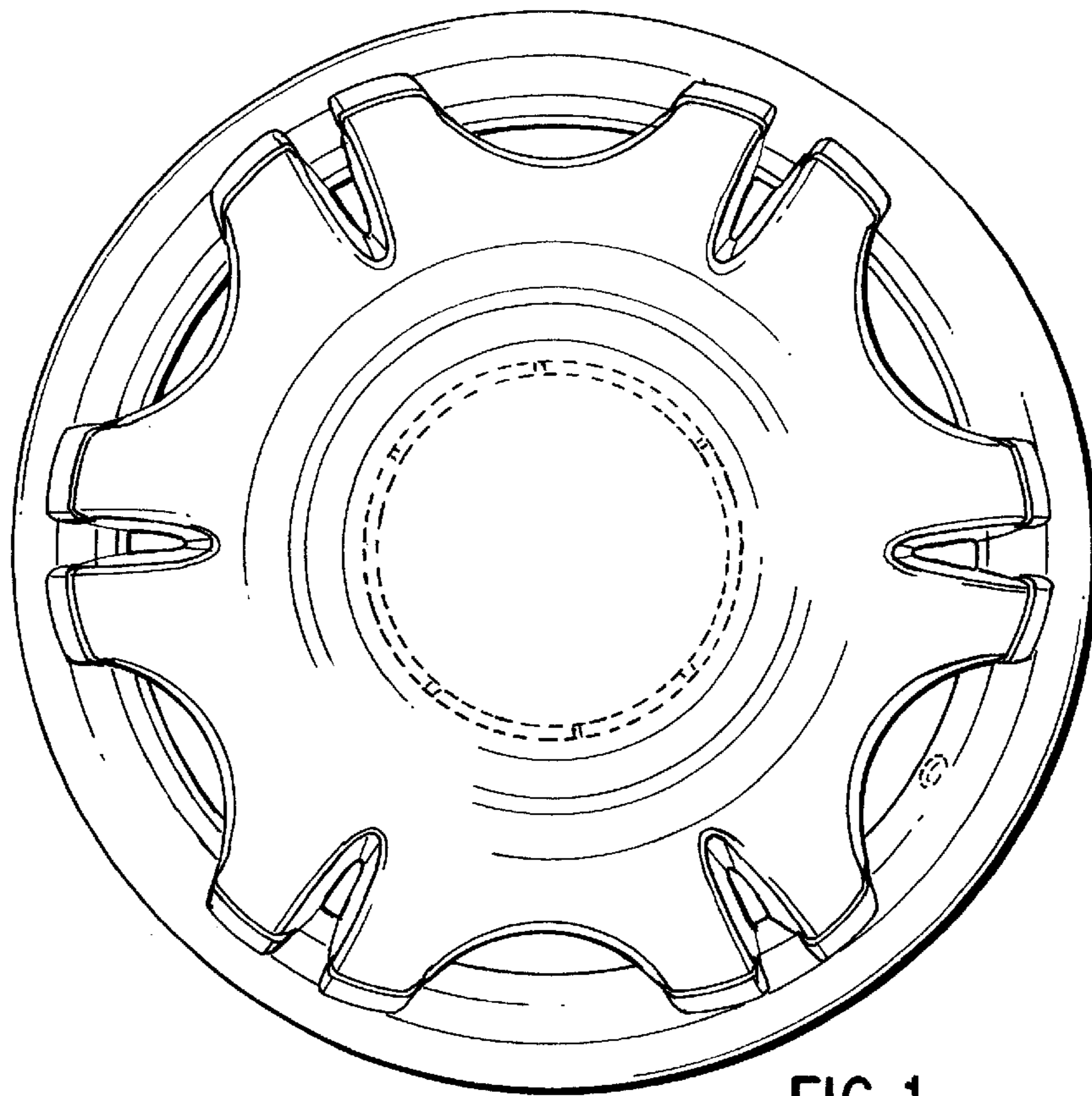


FIG. 1

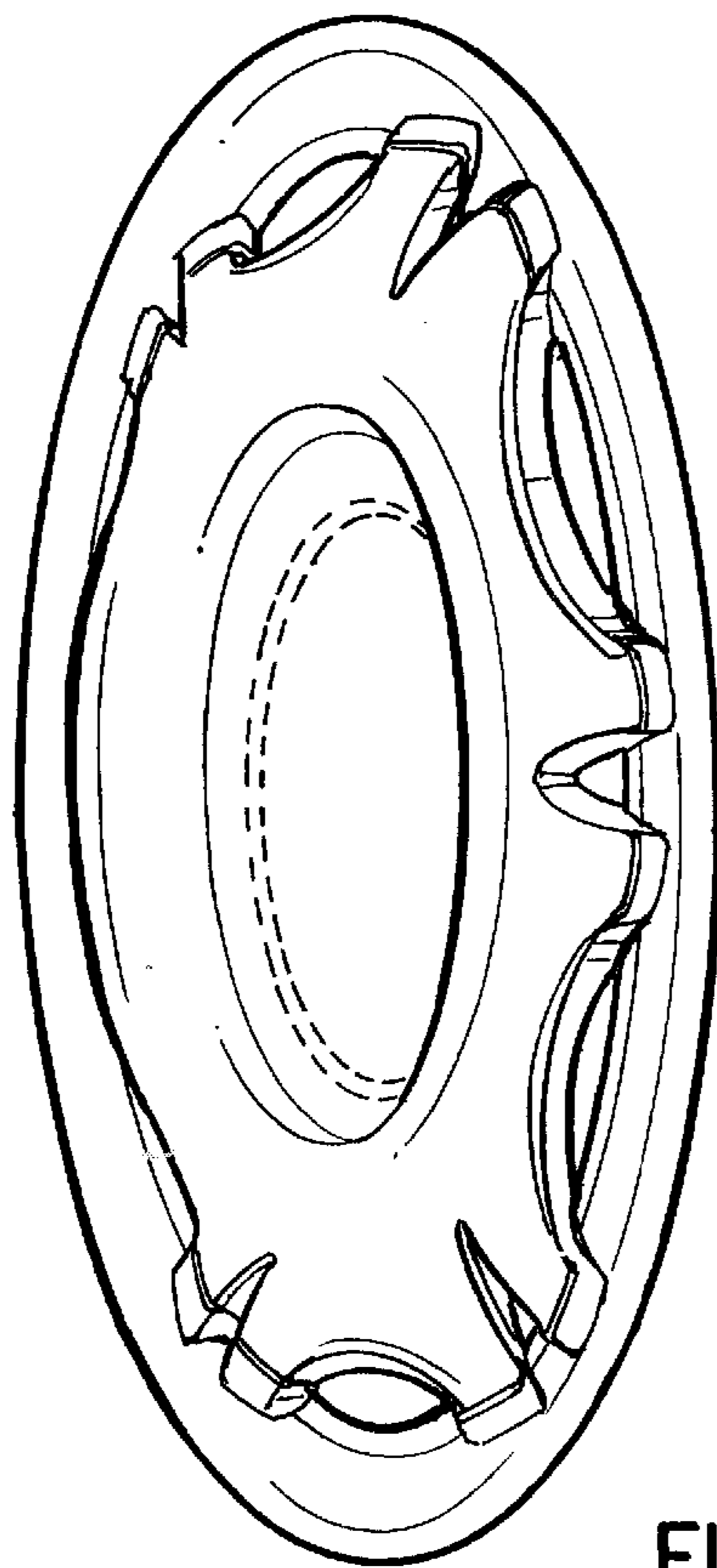


FIG. 2