



US00D469725S

(12) **United States Design Patent**
Murkett

(10) **Patent No.:** **US D469,725 S**

(45) **Date of Patent:** **** Feb. 4, 2003**

(54) **SURFACE CONFIGURATION OF A WHEEL CARRIER FOR A VEHICLE**

(75) Inventor: **Stephen Murkett**, Gerlingen (DE)

(73) Assignee: **Dr. Ing. h.c.F. Porsche Aktiengesellschaft**, Stuttgart (DE)

(**) Term: **14 Years**

(21) Appl. No.: **29/152,385**

(22) Filed: **Dec. 21, 2001**

(30) **Foreign Application Priority Data**

Jun. 26, 2001 (DE) 4 01 05 668

(51) **LOC (7) Cl.** **12-16**

(52) **U.S. Cl.** **D12/202**

(58) **Field of Search** D12/202, 406, D12/213, 153; 301/64.101, 65, 37.101; 362/496, 500, 540, 541; 224/42.12, 42.2-42.26; 414/463, 466

(56) **References Cited**

U.S. PATENT DOCUMENTS

D98,902 S * 3/1936 Zerk D12/202
D170,317 S * 9/1953 Hawkins et al. D12/202
D305,322 S * 1/1990 Campbell D12/202
D306,995 S * 4/1990 Reed, Jr. D12/202
D328,052 S * 7/1992 Stout, III D12/202

D345,336 S * 3/1994 Pigott, Jr. D12/202
D377,002 S * 12/1996 Tran D12/202
D404,699 S * 1/1999 Martin D12/202
D416,843 S * 11/1999 Brown D12/202
D418,792 S * 1/2000 Iampen D12/202
6,076,949 A * 6/2000 Holdsworth et al. ... D12/202 X
D430,840 S * 9/2000 Iampen D12/202

* cited by examiner

Primary Examiner—Stacia Cadmus

(74) *Attorney, Agent, or Firm*—Crowell & Moring LLP

(57) **CLAIM**

The ornamental design for a surface configuration of a wheel carrier for a vehicle, as shown and described.

DESCRIPTION

FIG. 1 is a right perspective view of a surface configuration of a wheel carrier for a vehicle according to my novel design;

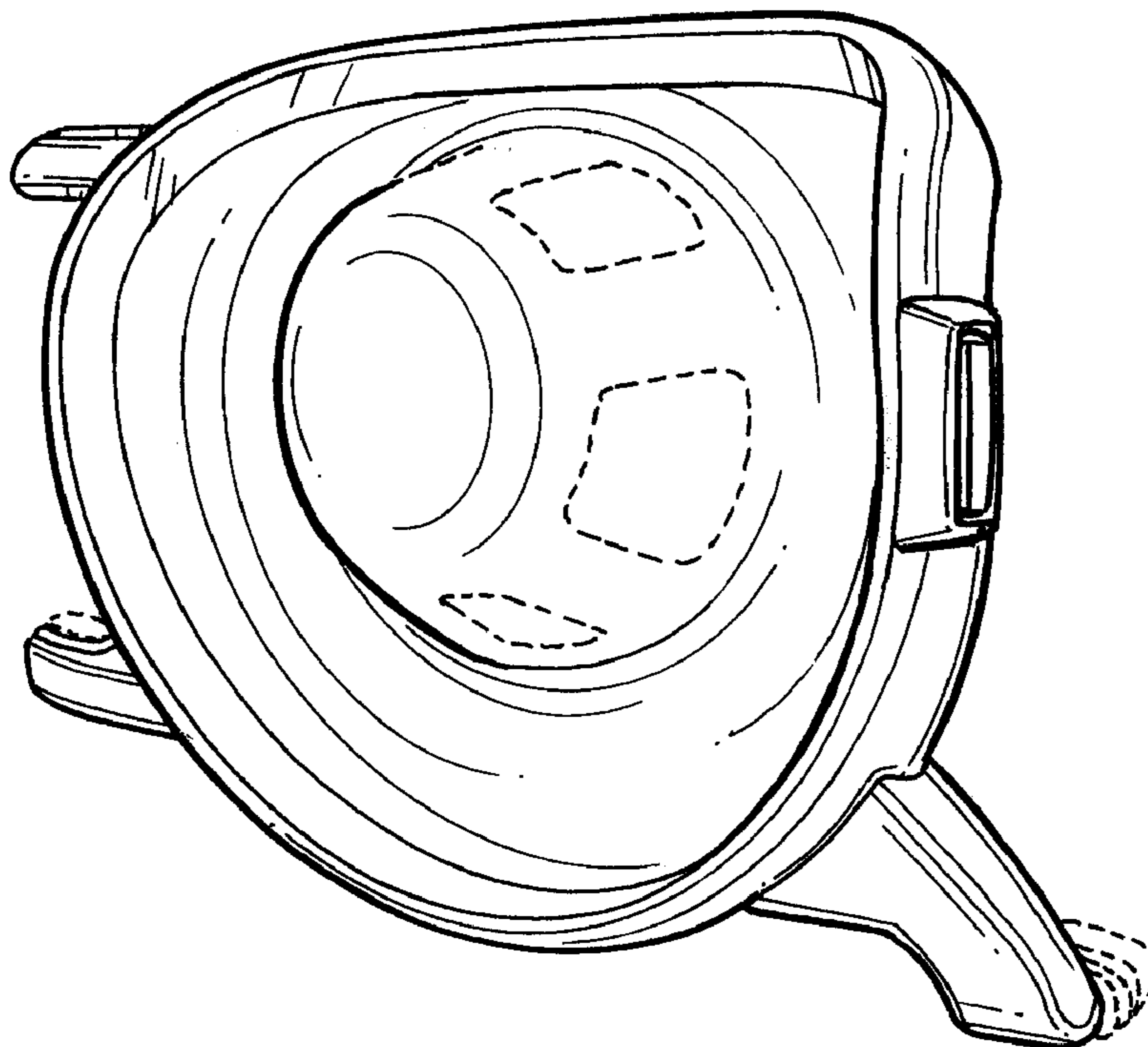
FIG. 2 is a front view of the surface configuration of a wheel carrier for a vehicle according to my novel design;

FIG. 3 is a left perspective view of surface configuration of a wheel carrier for a vehicle according to my novel design; and,

FIG. 4 is a right side view of the surface configuration of a wheel carrier for a vehicle according to my novel design.

The dash lines included in the drawings depict environment and are not part of the claimed design.

1 Claim, 2 Drawing Sheets



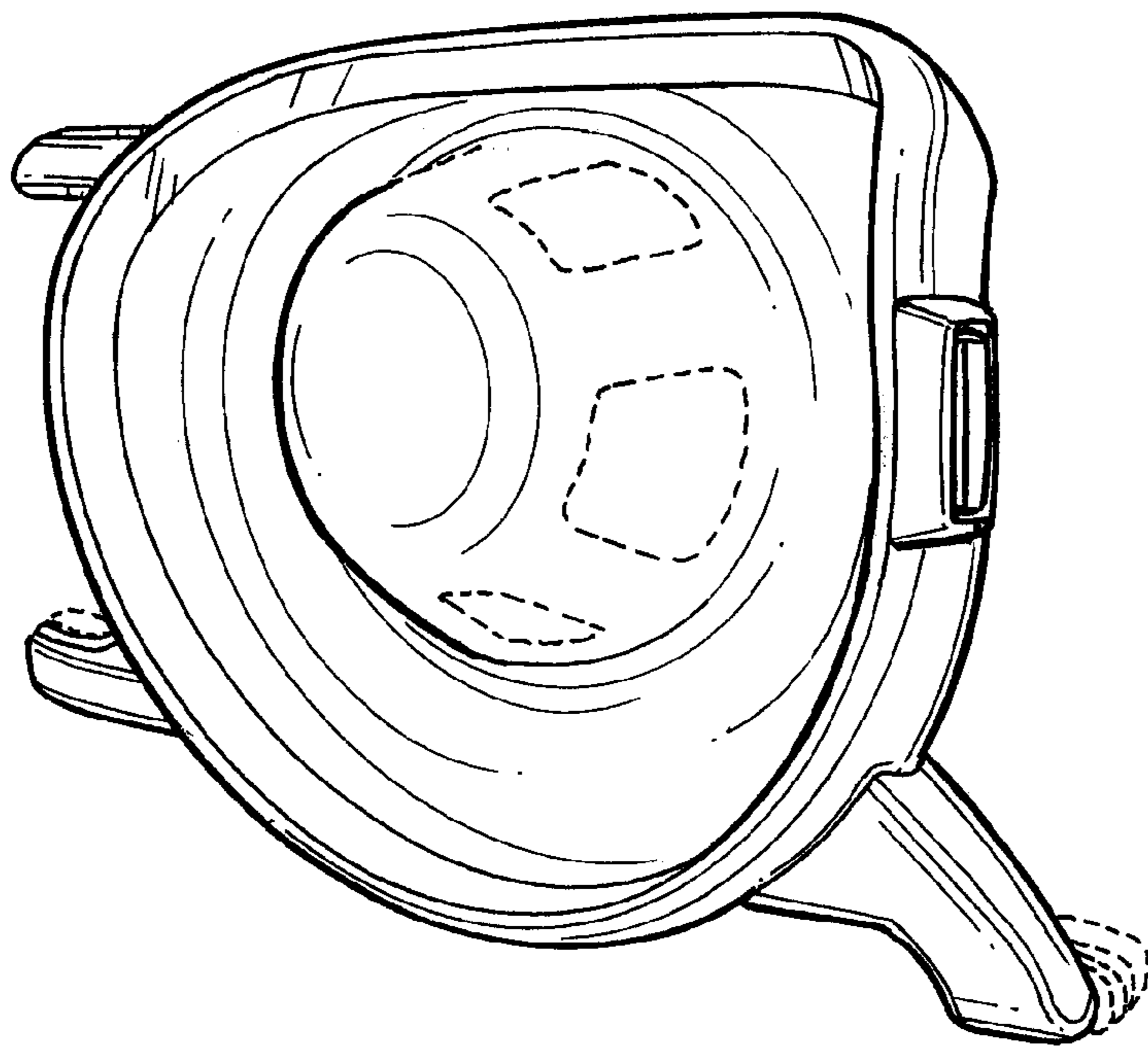


FIG. 1

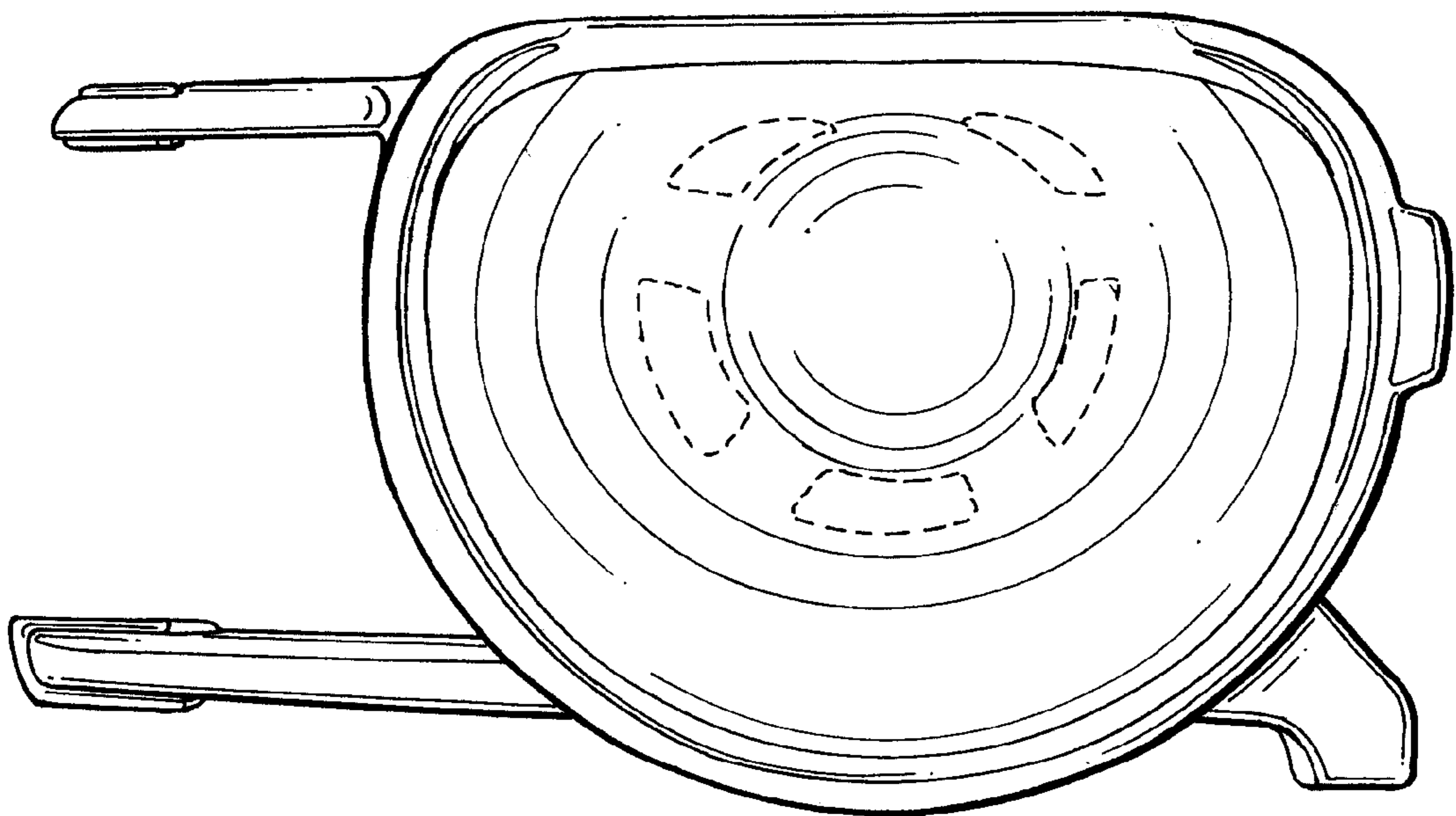


FIG. 2

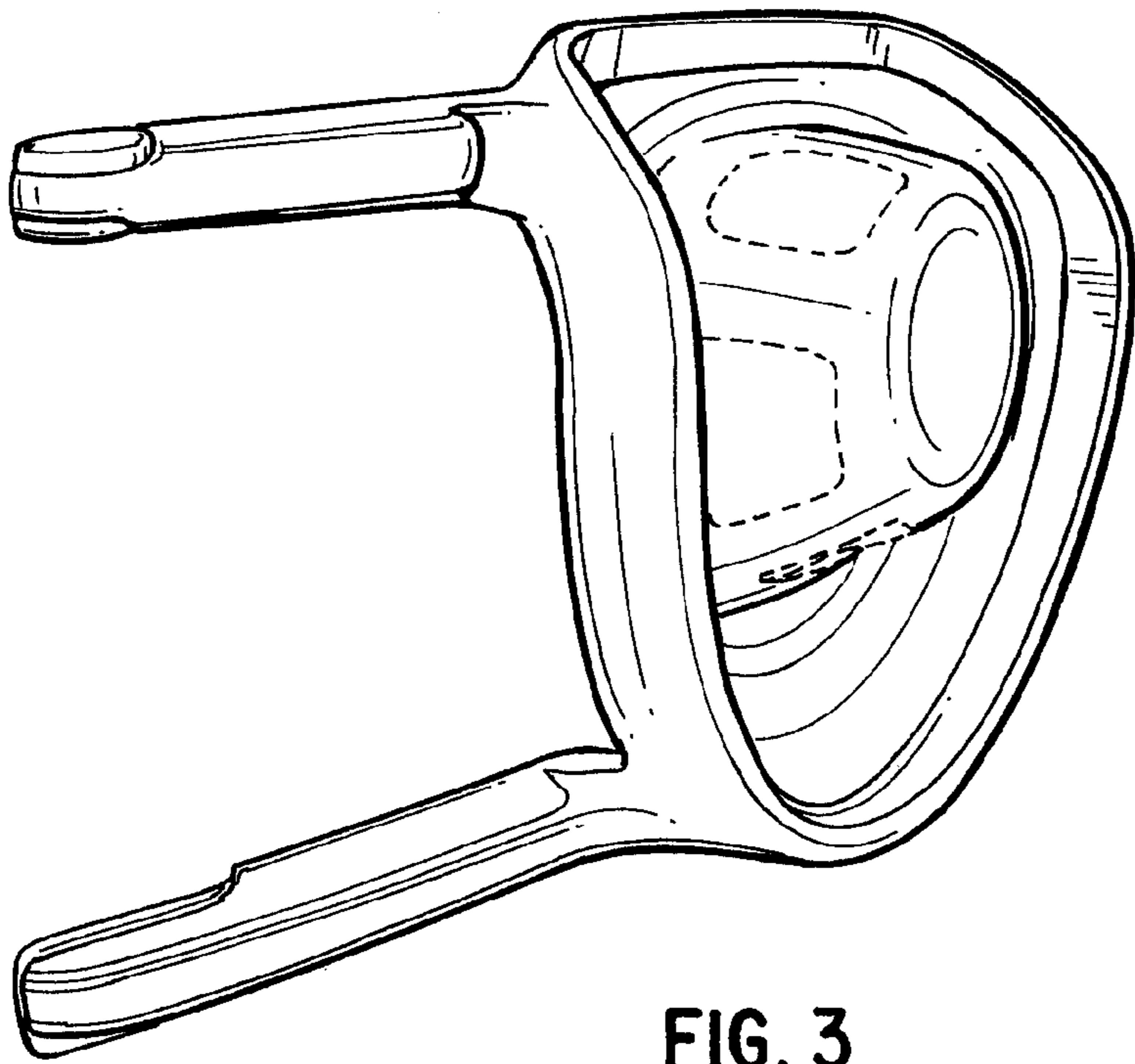


FIG. 3

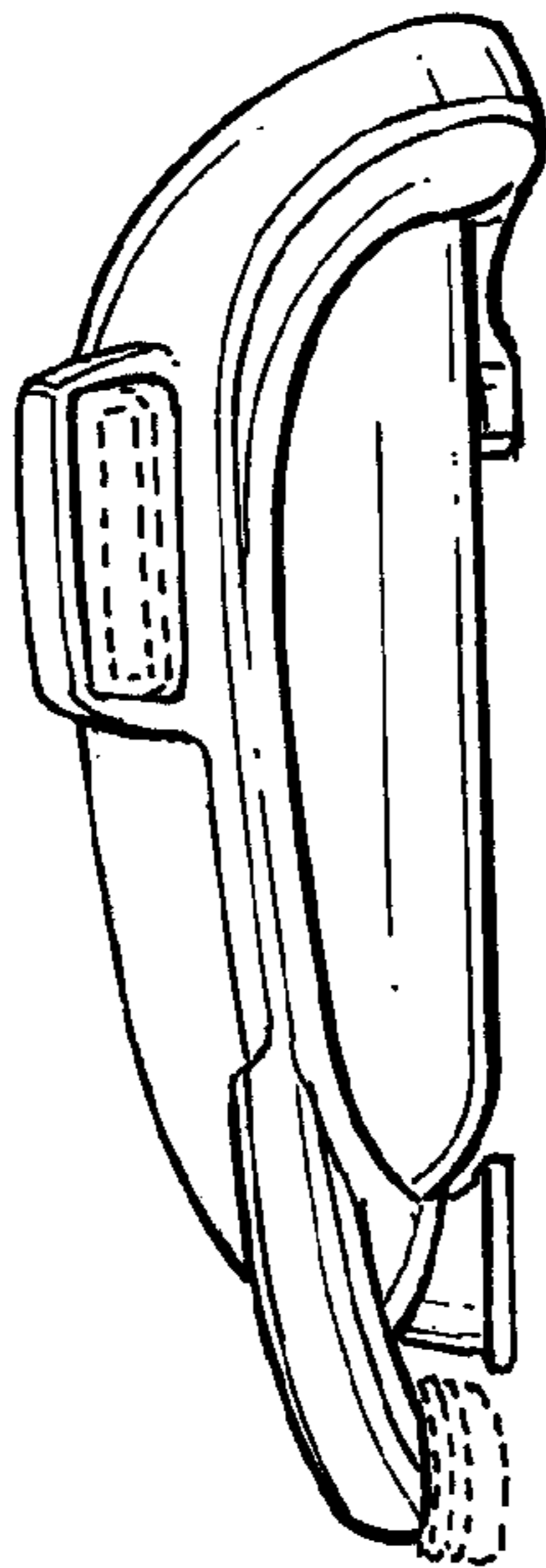


FIG. 4