



US00D469722S

(12) **United States Design Patent**
Wang

(10) **Patent No.:** **US D469,722 S**

(45) **Date of Patent:** **** Feb. 4, 2003**

(54) **BABY CARRIAGE FRAME**

Primary Examiner—Marcus A. Jackson

(76) Inventor: **Kuo-Ping Wang**, P.O. Box 90, Tainan City (TW)

(57) **CLAIM**

(**) Term: **14 Years**

The ornamental design for baby carriage frame, as shown as described.

(21) Appl. No.: **29/160,611**

DESCRIPTION

(22) Filed: **May 15, 2002**

(51) **LOC (7) Cl.** **12-12**

FIG. 1 is a perspective view of baby carriage frame showing my design;

(52) **U.S. Cl.** **D12/129**

FIG. 2 is a front elevational view thereof;

(58) **Field of Search** **D12/128-133;**
280/47.38, 642-644, 647, 650, 657, 658

FIG. 3 is a rear elevational view thereof;

FIG. 4 is a left side elevational view thereof;

(56) **References Cited**

U.S. PATENT DOCUMENTS

D430,077 S	*	8/2000	Lee	D12/129
D444,738 S	*	7/2001	Lan	D12/129
D452,462 S	*	12/2001	Lan	D12/129

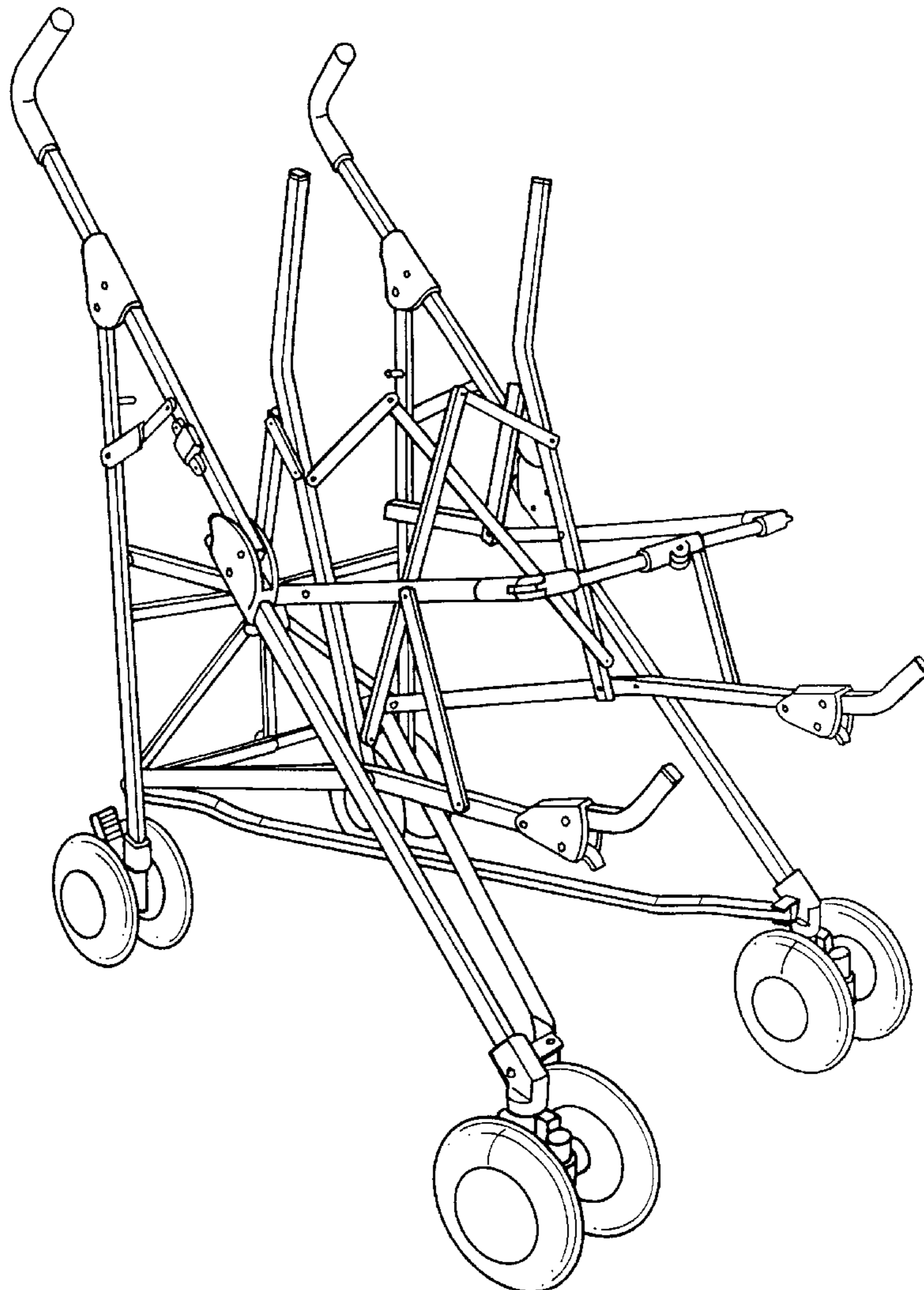
FIG. 5 is a right side elevational view thereof;

FIG. 6 is a top plan view thereof; and,

FIG. 7 is a bottom plan view thereof.

* cited by examiner

1 Claim, 6 Drawing Sheets



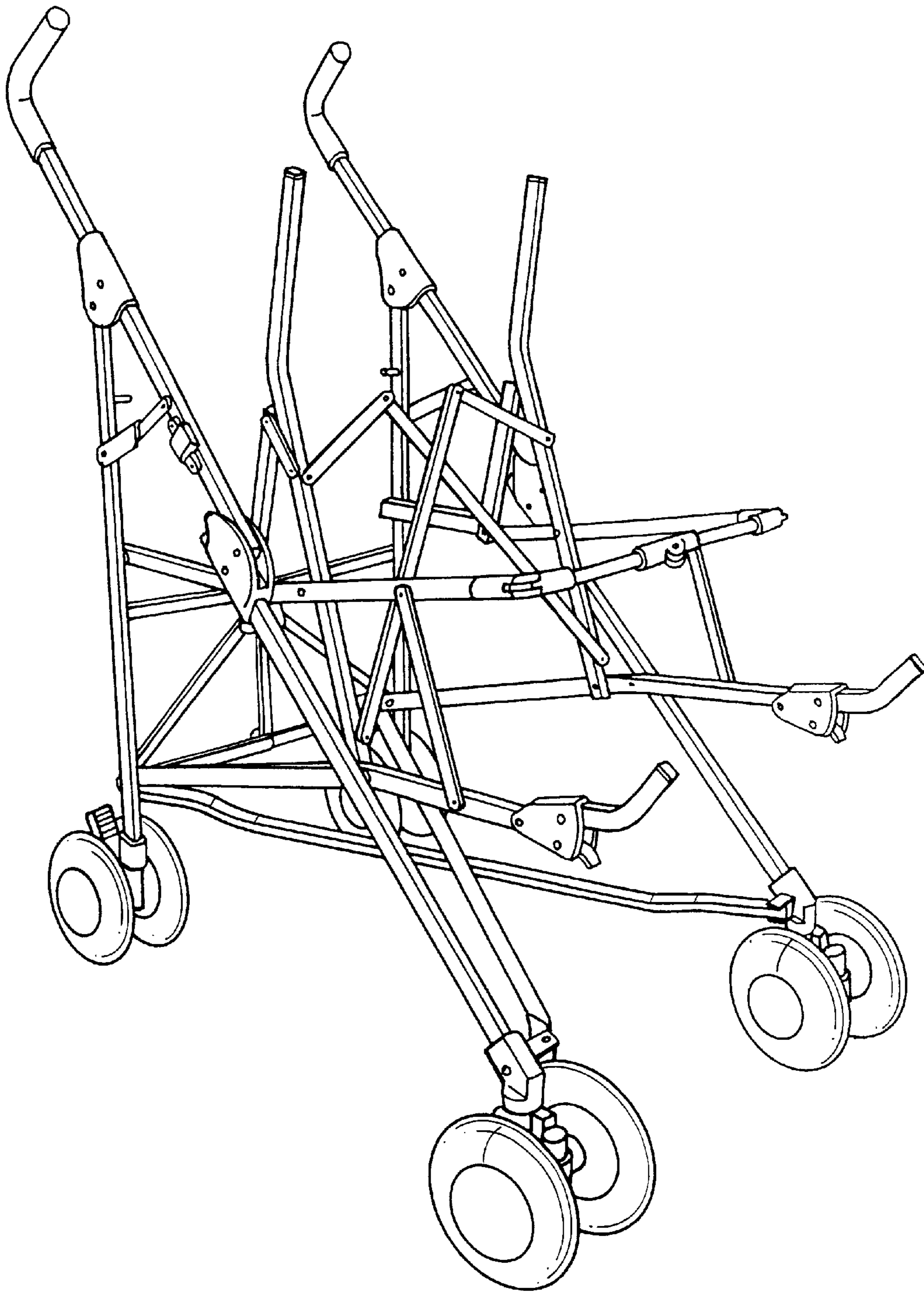


FIG.1

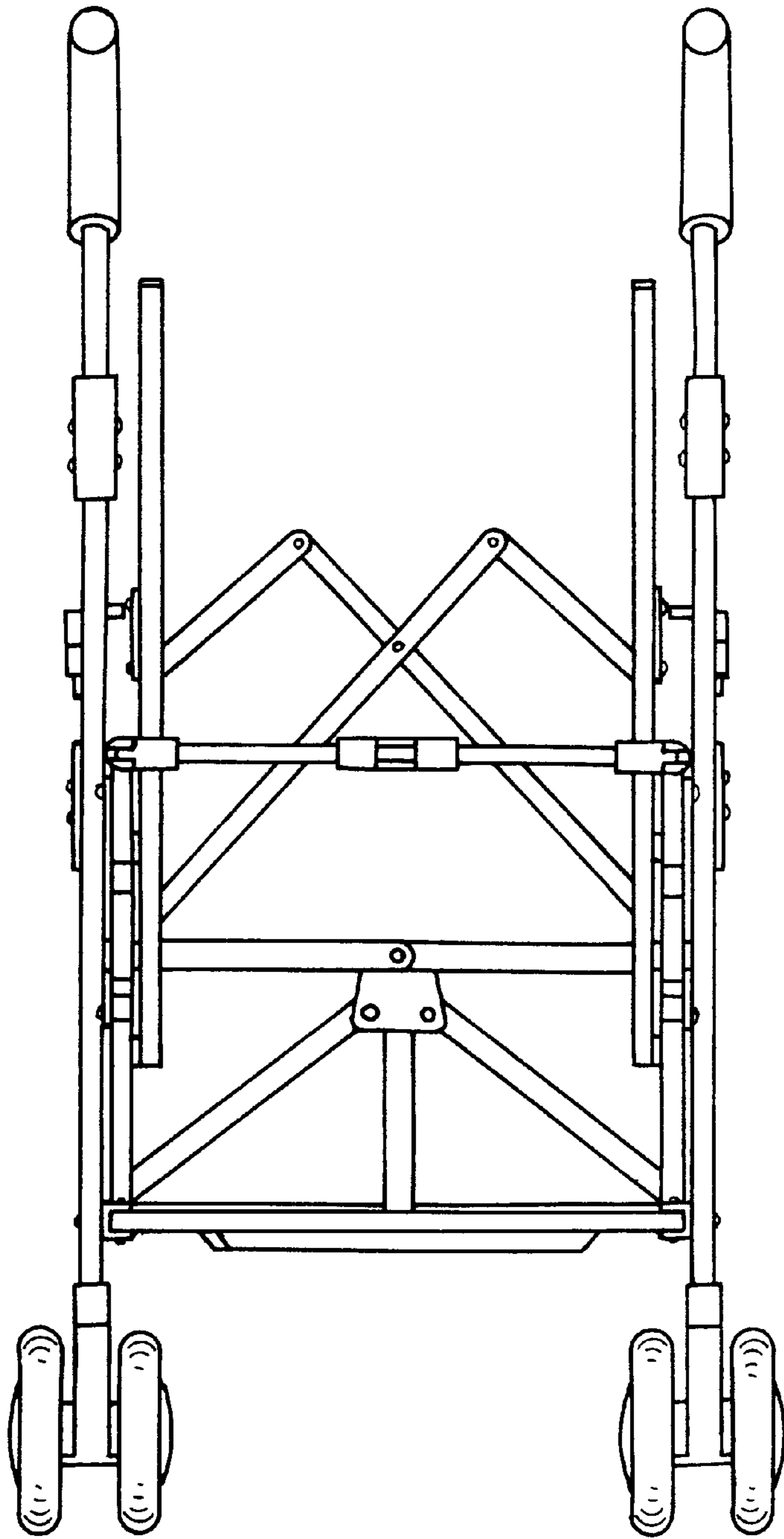


FIG.2

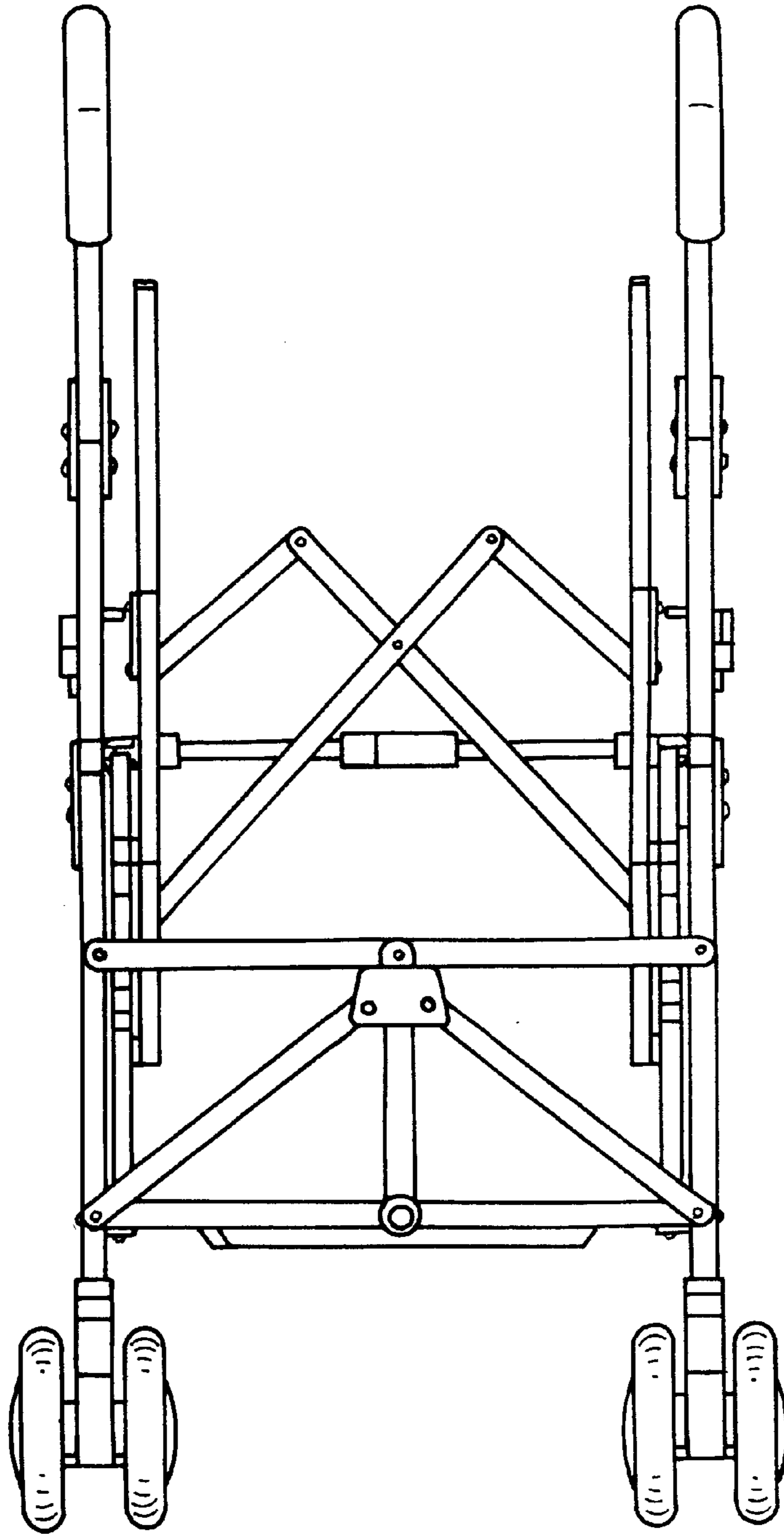


FIG. 3

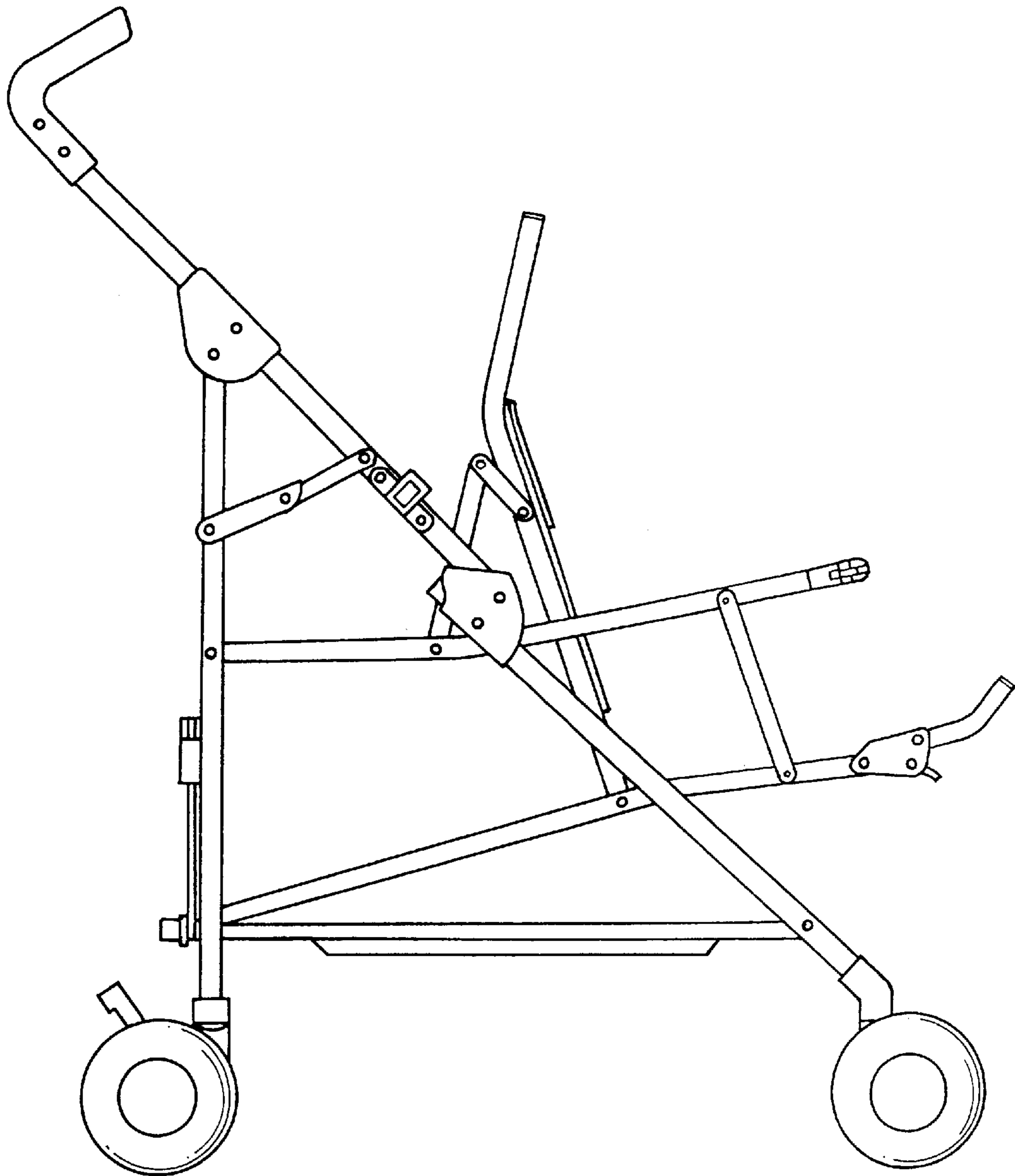


FIG.4

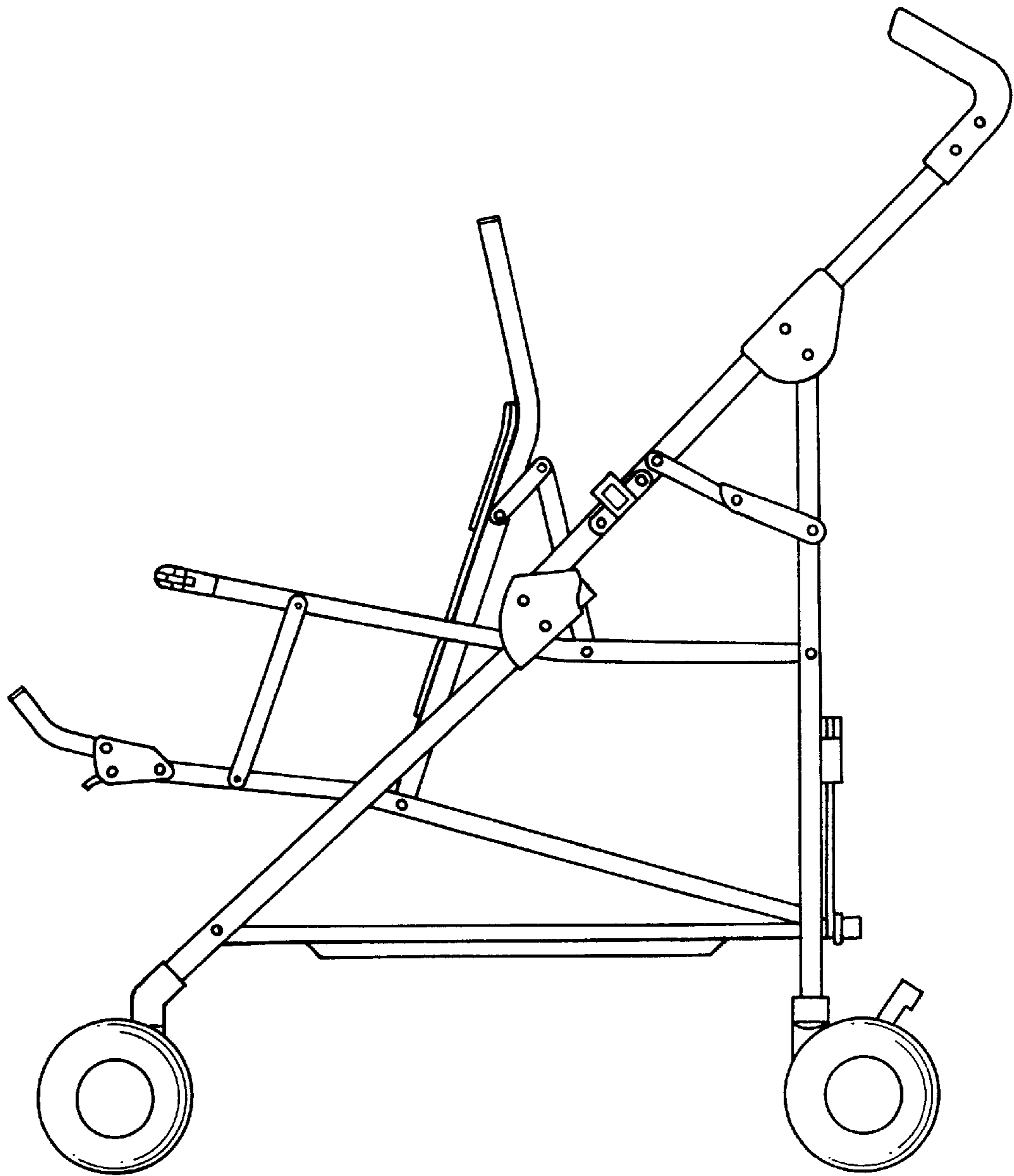


FIG. 5

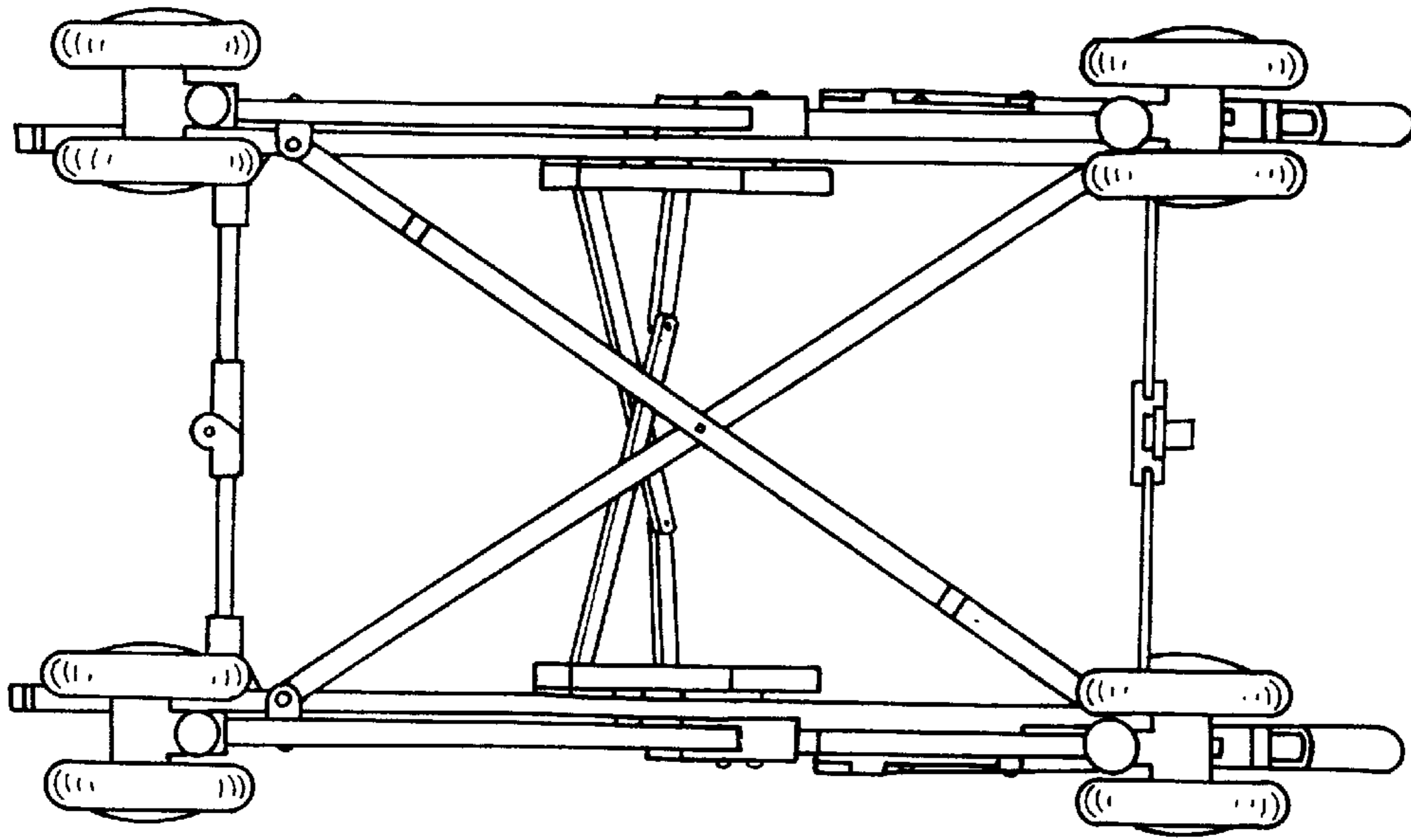


FIG. 7

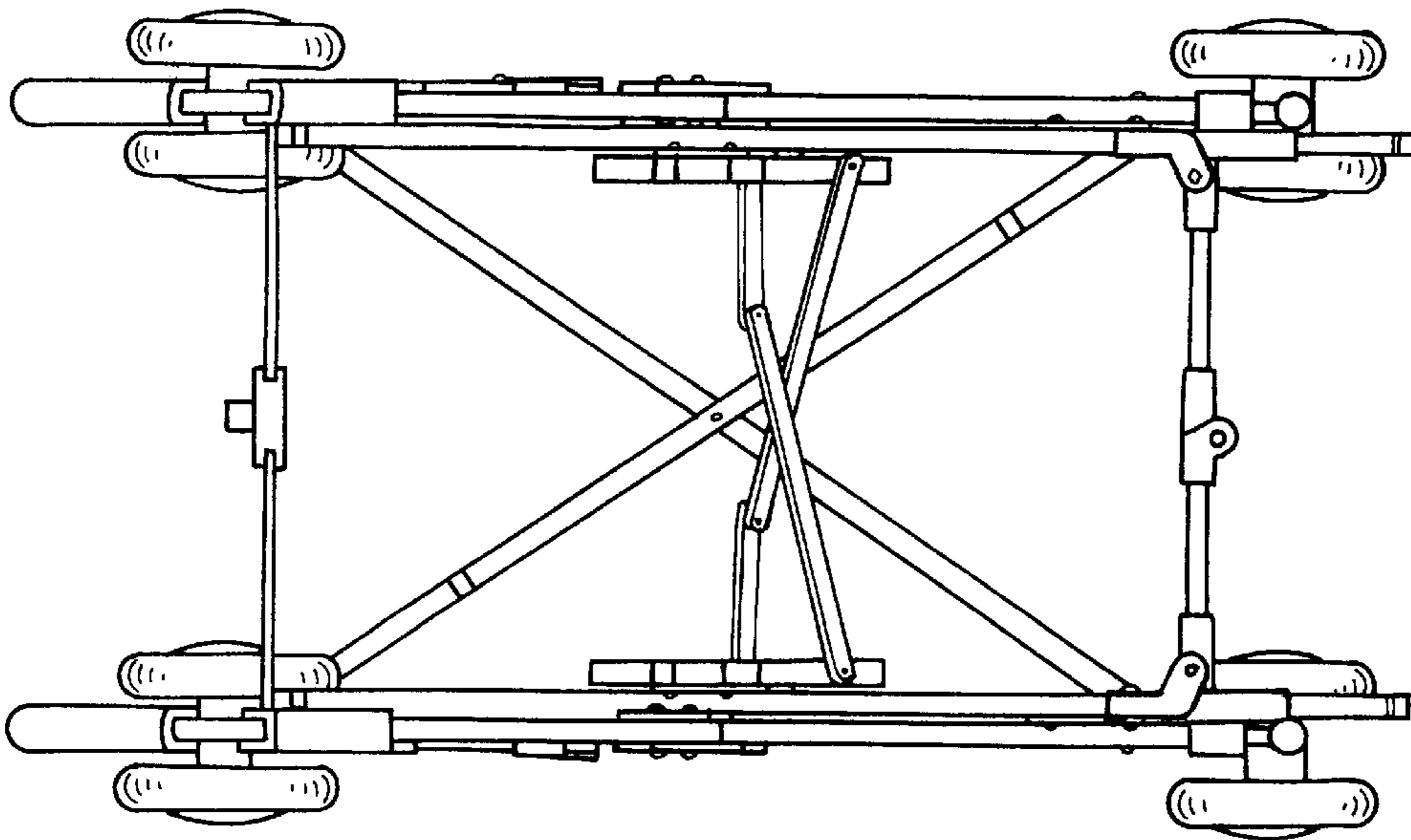


FIG. 6