



US00D469721S

(12) **United States Design Patent**  
**Buchman**

(10) **Patent No.:** **US D469,721 S**

(45) **Date of Patent:** **\*\* Feb. 4, 2003**

(54) **SLIDER DEVICE FOR RESEALABLE CLOSURE**

(75) **Inventor:** **James E. Buchman**, Hortonville, WI (US)

(73) **Assignee:** **Reynolds Consumer Products, Inc.**, Richmond, VA (US)

(\*\*) **Term:** **14 Years**

(21) **Appl. No.:** **29/150,901**

(22) **Filed:** **Nov. 15, 2001**

(51) **LOC (7) Cl.** ..... **02-07**

(52) **U.S. Cl.** ..... **D11/221**

(58) **Field of Search** ..... D11/200, 221; D9/434, 435; 24/415-417, 419, 421, 427-431, 381; 264/252; 383/5, 64

(56) **References Cited**

**U.S. PATENT DOCUMENTS**

3,579,747	A	*	5/1971	Hawley	.....	24/400
3,660,875	A	*	5/1972	Gutman	.....	24/400
3,713,923	A	*	1/1973	Laguerre	.....	264/252
4,262,395	A	*	4/1981	Kosky	.....	24/400
5,020,194	A	*	6/1991	Herrington et al.	.....	24/400
D325,547	S	*	4/1992	Saito et al.	.....	D11/221
5,722,128	A	*	3/1998	Toney et al.	.....	24/400

5,950,285	A	*	9/1999	Porchia et al.	.....	24/400
D422,909	S		4/2000	Smith et al.	.....	D9/434
D434,345	S		11/2000	Tomic	.....	D11/221
D439,866	S		4/2001	Savicki	.....	D11/221
6,286,999	B1	*	9/2001	Cappel et al.	.....	383/64
6,419,391	B2	*	7/2002	Thomas	.....	353/5

\* cited by examiner

*Primary Examiner*—Ralf Seifert

(74) *Attorney, Agent, or Firm*—Charles H. Dougherty, Jr.; Tracey D. Beiriger

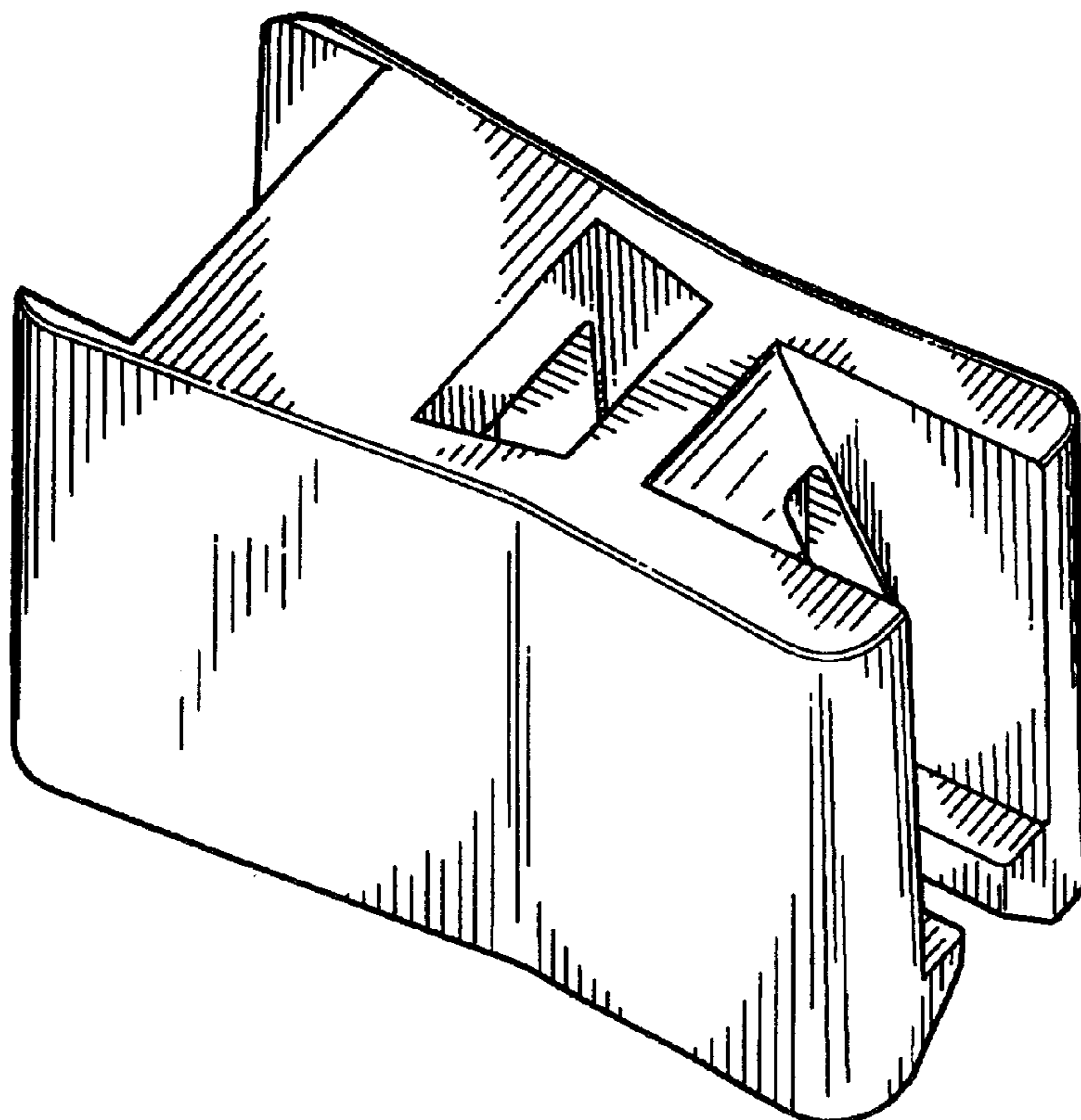
(57) **CLAIM**

The ornamental designs for a slider device for resealable closure, as shown and described.

**DESCRIPTION**

FIG. 1 is a top perspective view of a slider device in accordance with the invention.  
 FIG. 2 is a bottom perspective view of the slider device.  
 FIG. 3 is a right end elevational view of the slider device.  
 FIG. 4 is a left end elevational view of the slider device.  
 FIG. 5 is a top plan view of the slider device.  
 FIG. 6 is a bottom plan view of the slider device.  
 FIG. 7 is a front side elevational view of the slider device; and,  
 FIG. 8 is a rear side elevational view of the slider device.

**1 Claim, 5 Drawing Sheets**



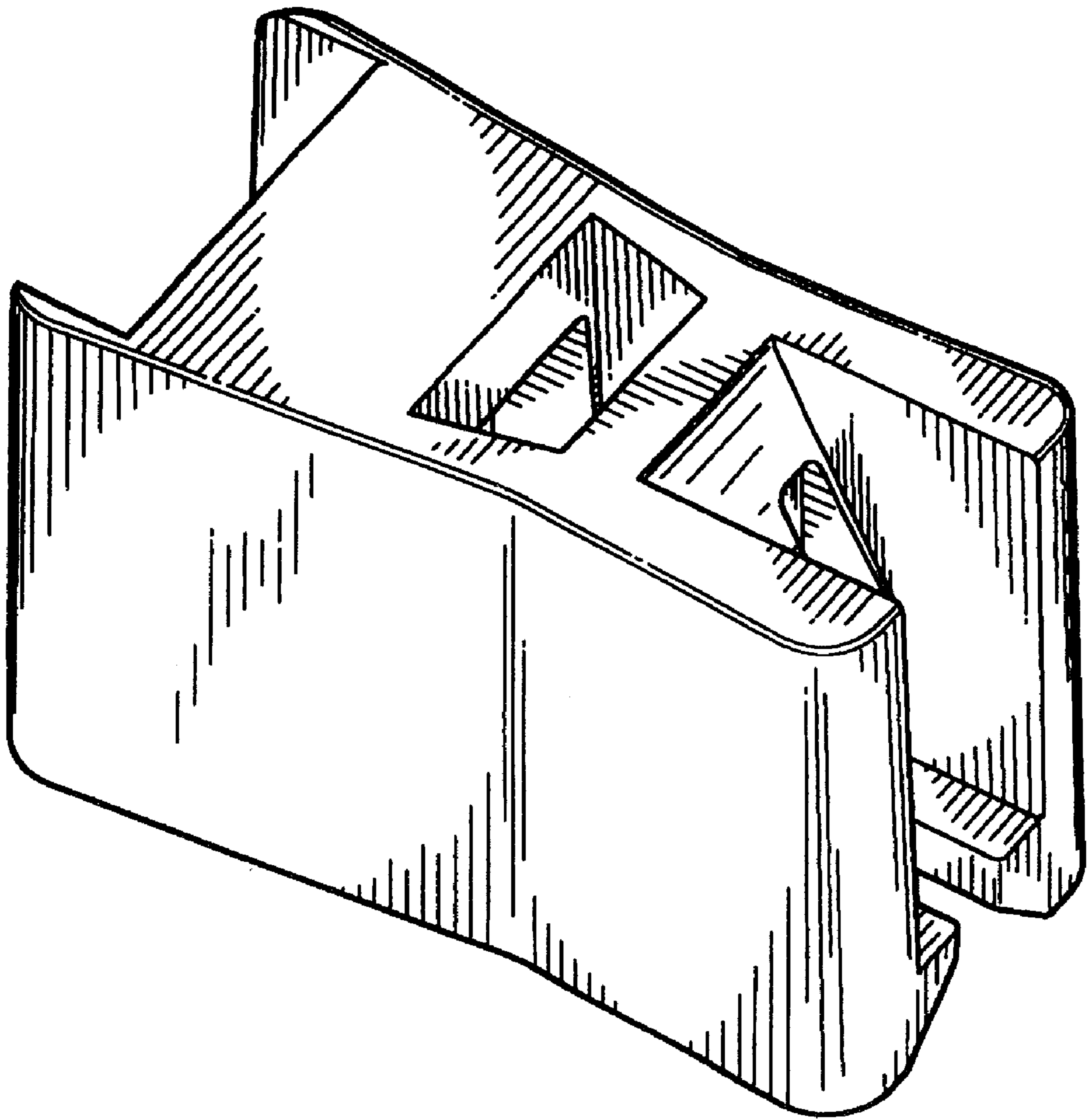


FIG. 1

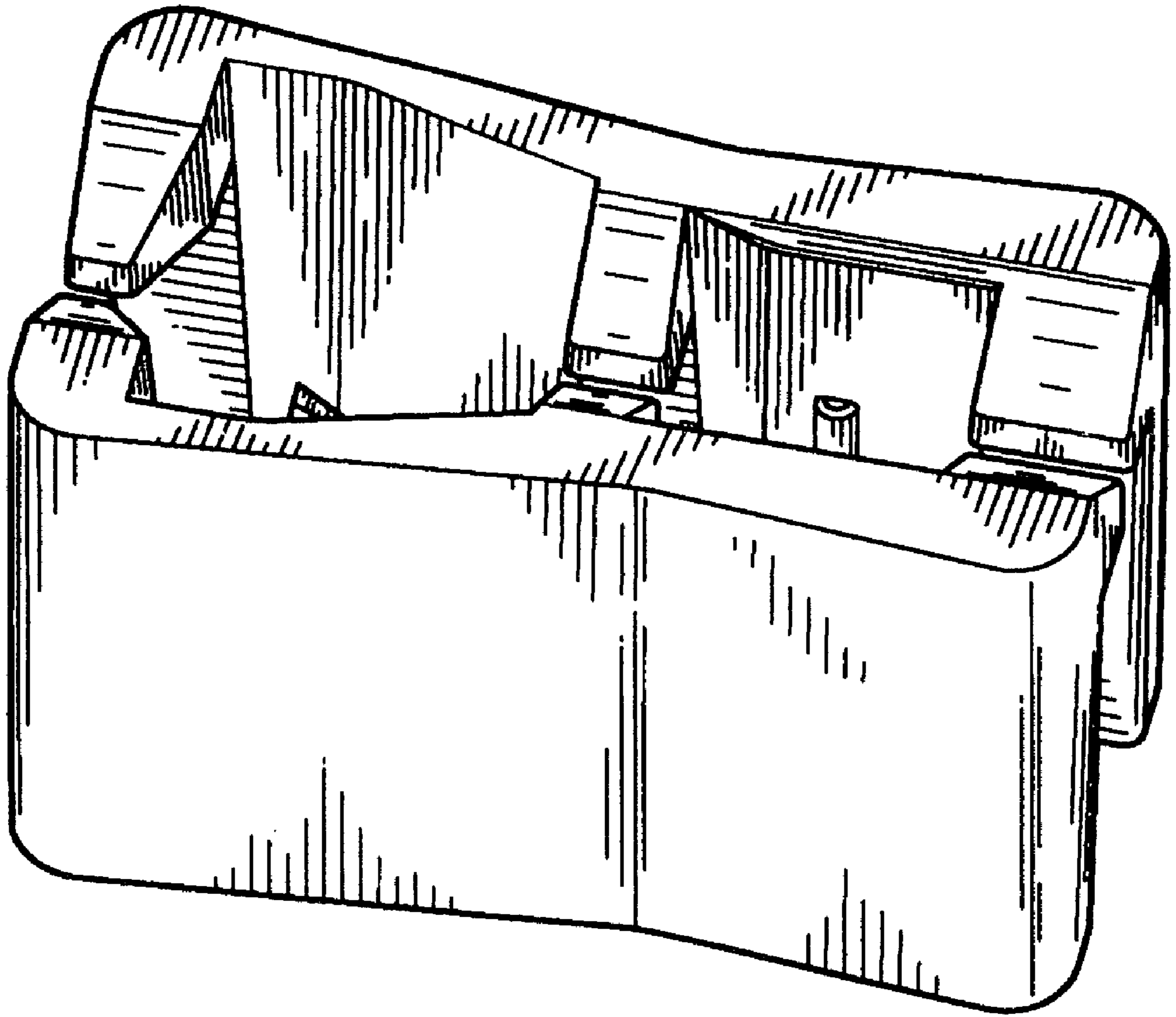


FIG. 2

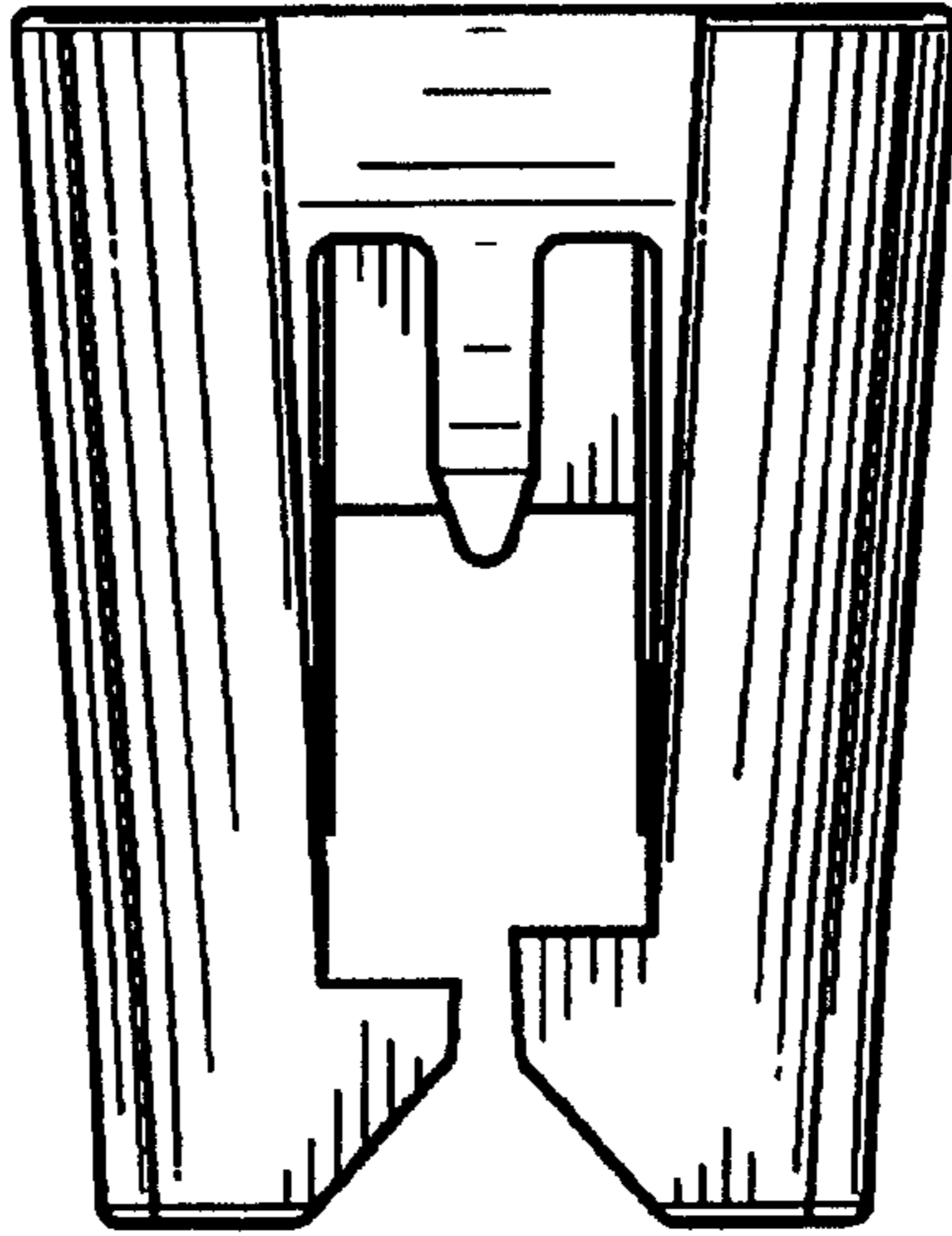


FIG. 3

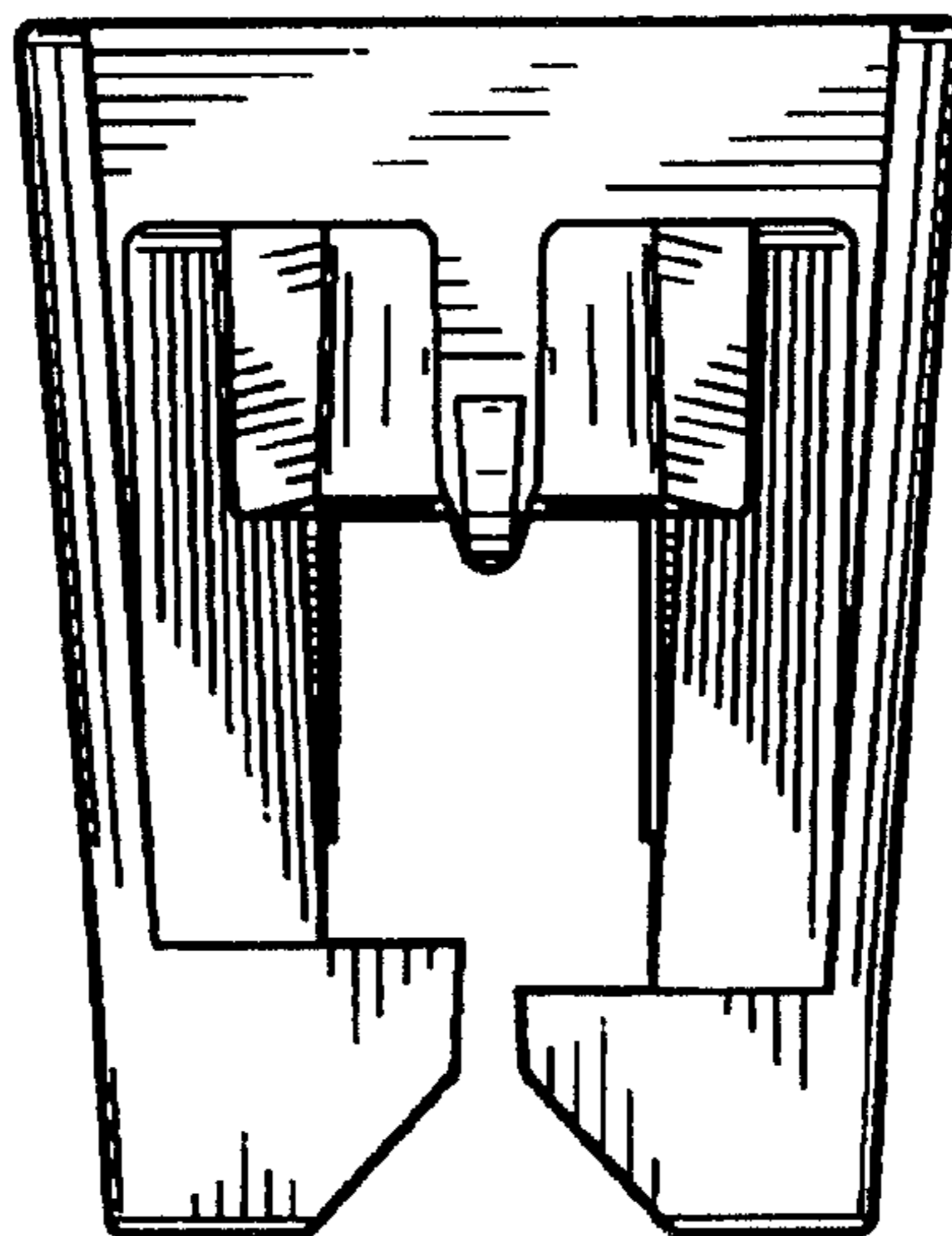


FIG. 4

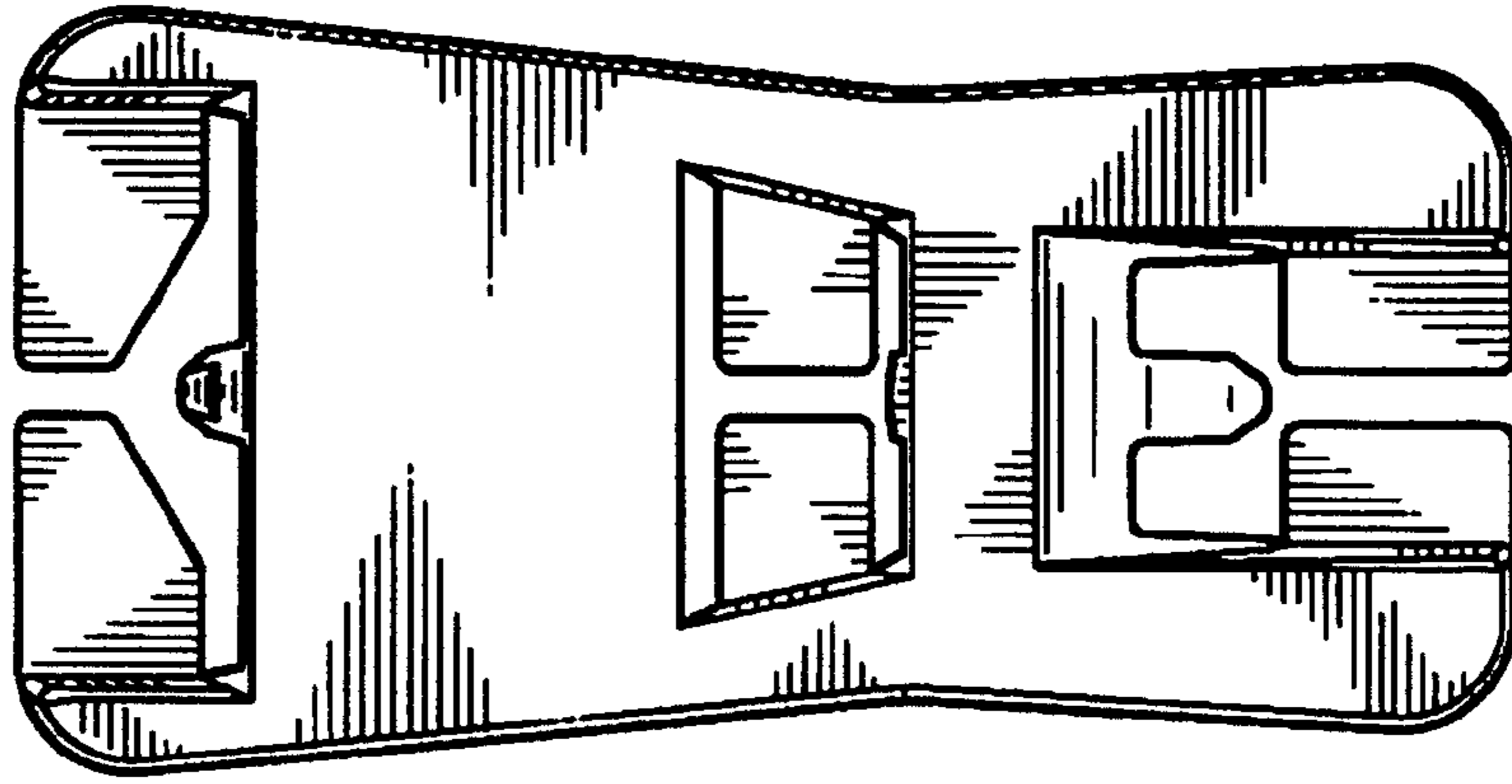


FIG. 5

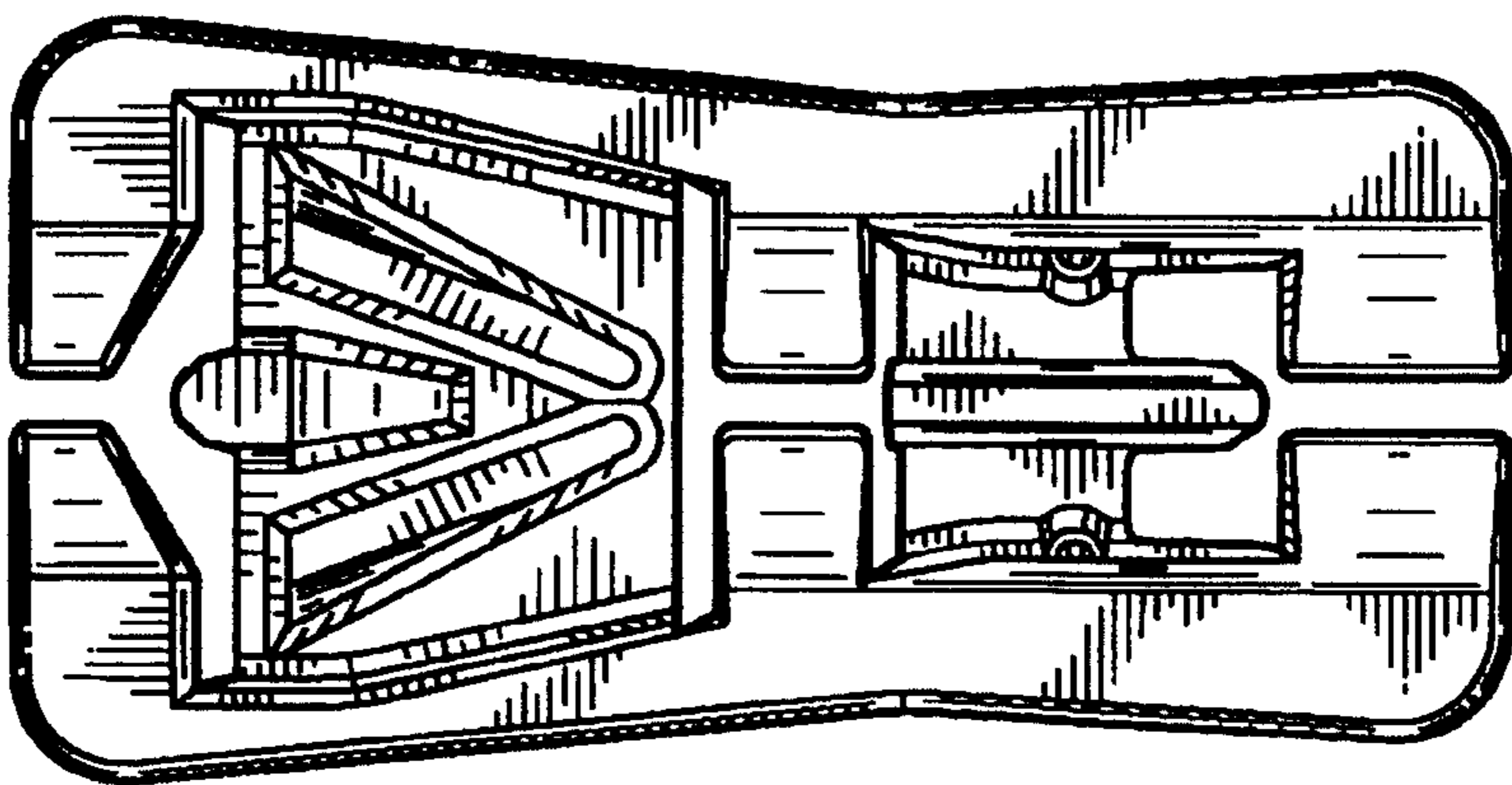


FIG. 6

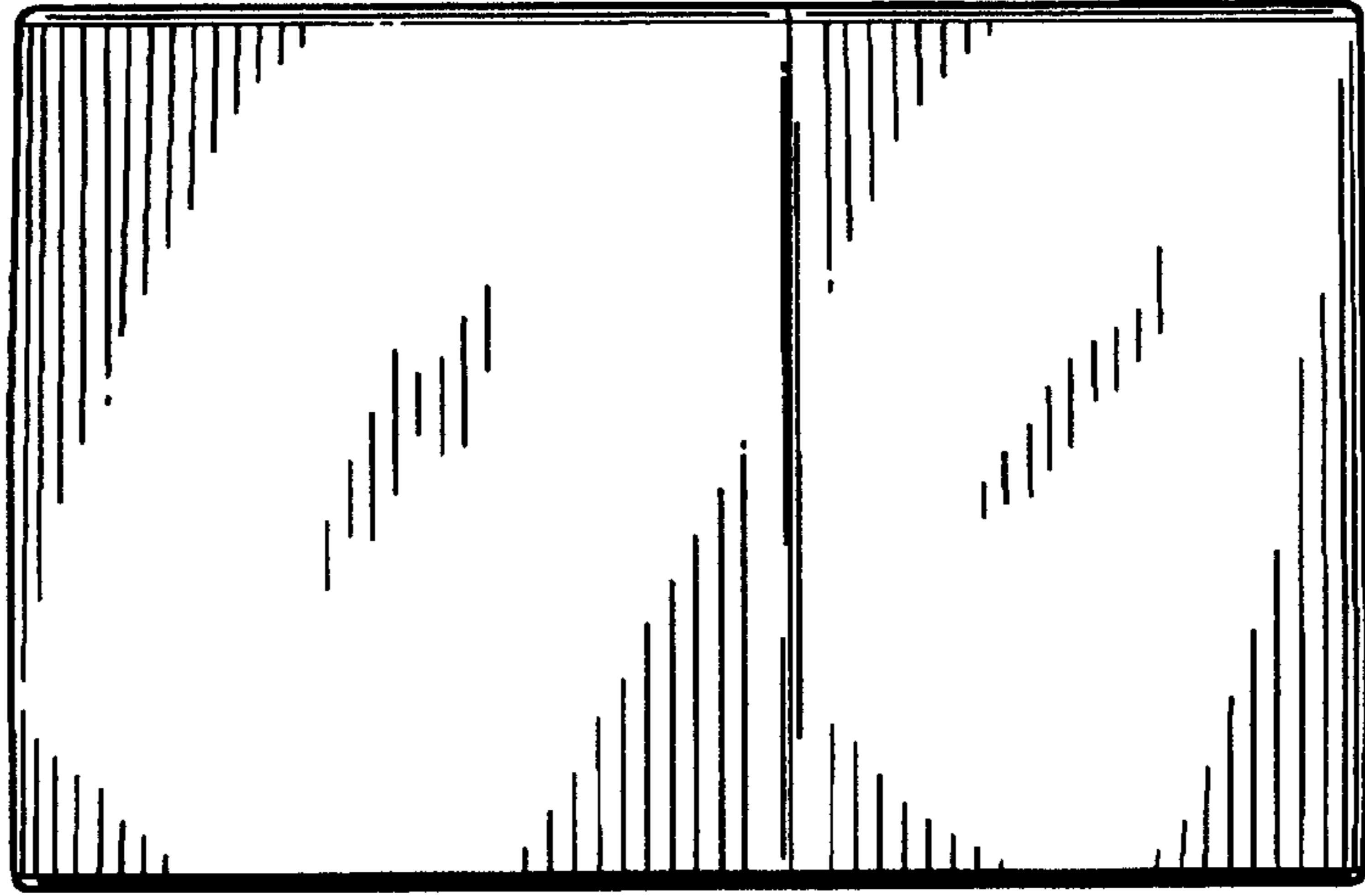


FIG. 7

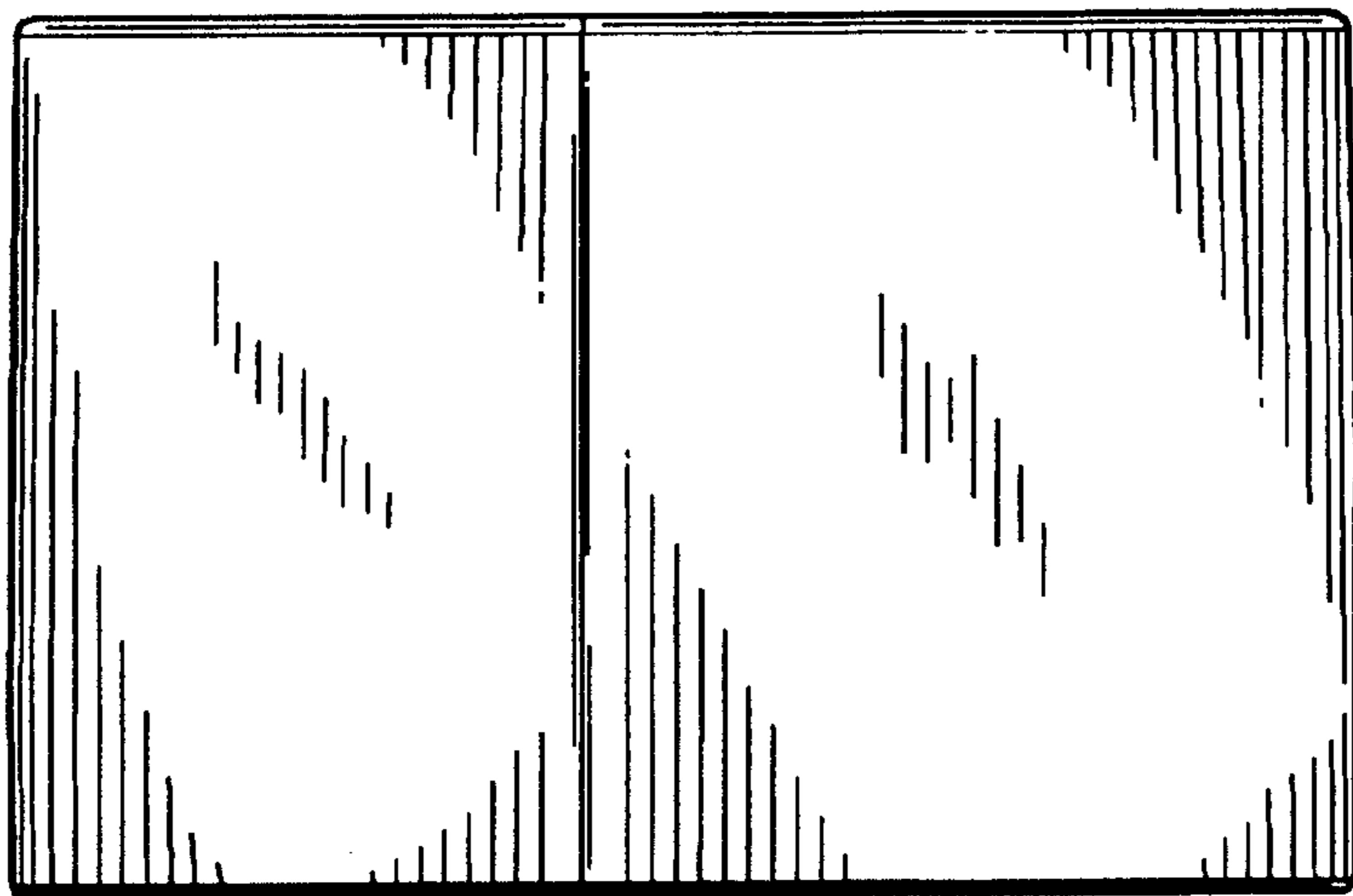


FIG. 8