



US00D469717S

(12) **United States Design Patent**  
**Chia et al.**

(10) **Patent No.: US D469,717 S**

(45) **Date of Patent: \*\* Feb. 4, 2003**

(54) **JEWELRY COMPONENT**

(76) Inventors: **Meang Chia**, 412 W. 6th St., Suite 1104, Los Angeles, CA (US) 90014; **Cheo Chia**, 412 W. 6th St., Suite 1104, Los Angeles, CA (US) 90014; **Huy Kim Chia**, 412 W. 6th St., Suite 1104, Los Angeles, CA (US) 90014

(\*\*) Term: **14 Years**

(21) Appl. No.: **29/127,620**

(22) Filed: **Aug. 8, 2000**

**Related U.S. Application Data**

(60) Continuation-in-part of application No. 29/110,327, filed on Sep. 3, 1999, which is a continuation-in-part of application No. 29/098,058, filed on Dec. 21, 1998, now Pat. No. Des. 418,445, which is a division of application No. 29/070,204, filed on May 7, 1997, now Pat. No. Des. 406,247.

(51) **LOC (7) Cl. .... 11-01**

(52) **U.S. Cl. .... D11/93**

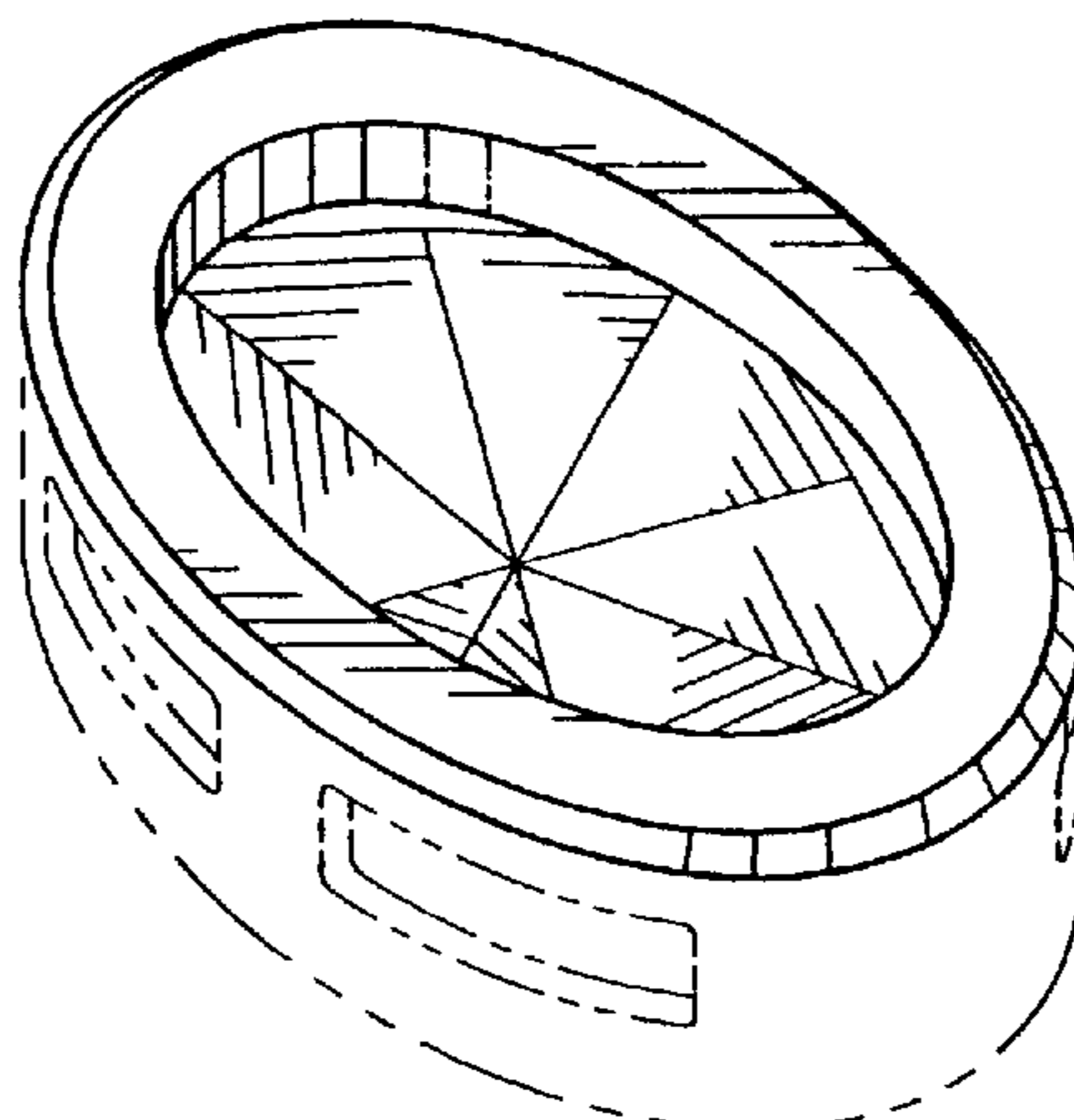
(58) **Field of Search** ..... D11/1-26, 35, D11/89-94, 54, 56, 76, 98; 63/32, 1.1, 2, 15, 27, 4; 59/80

(56) **References Cited**

**U.S. PATENT DOCUMENTS**

D12,579 S	11/1881	Reynolds
D14,818 S	2/1884	Merril
439,139 A	10/1890	Gaynor
569,495 A	10/1896	Gunther
572,237 A	12/1896	Adams
D32,439 S	4/1900	Gay
D32,649 S	5/1900	McCutchen et al.
795,109 A	7/1905	Dover
813,084 A	2/1906	Dover
851,078 A	4/1907	Dunn
1,001,583 A	8/1911	Fairbrother
1,024,048 A	4/1912	Abel
D42,514 S	5/1912	Meyers
D42,643 S	6/1912	Meyers
1,153,362 A	9/1915	Wacha

D48,950 S	4/1916	Rosenberger
1,189,497 A	7/1916	Schwartzman
1,344,365 A	6/1920	Wachenheimer
D55,597 S	7/1920	Felger
D56,605 S	11/1920	Grasmuk
D56,607 S	11/1920	Grasmuk
1,410,366 A	3/1922	Buchman
1,433,521 A	10/1922	Albanese
1,443,654 A	1/1923	Schmidt
1,467,468 A	9/1923	Blanchard
1,556,465 A	10/1925	Wendel
1,570,776 A	1/1926	Peters
1,570,932 A	1/1926	Anderson et al.
1,589,423 A	6/1926	Payton
D76,664 S	10/1928	Chase
D77,434 S	1/1929	Rice
1,701,610 A	2/1929	Forstner
1,710,660 A	4/1929	Guyot
D84,213 S	5/1931	Speidel
1,842,427 A	1/1932	Sammartino
1,854,958 A	4/1932	Santosuosso
1,892,738 A	1/1933	Schnarr
1,981,696 A	11/1934	Harper ..... 41/10
D110,568 S	7/1938	Garfinkel
D117,577 S	11/1939	Sand
D119,286 S	3/1940	Somers
2,273,227 A	2/1942	Simmons ..... 63/26
D131,750 S	3/1942	Hobe
D131,847 S	3/1942	Hobe
D143,583 S	1/1946	Feingold ..... D3/4
D143,588 S	1/1946	Grun ..... D45/4
D143,750 S	2/1946	Philippe ..... D45/9
D144,901 S	6/1946	Braunstein ..... D45/4
D145,426 S	8/1946	Braunstein ..... D45/4
D146,779 S	5/1947	Slater ..... D45/4
D151,904 S	11/1948	Katz ..... D45/4
D155,873 S	11/1949	Chernow ..... D45/16
D156,650 S	12/1949	Pearce et al. .... D45/4
D156,744 S	1/1950	Kent ..... D42/8
D159,528 S	8/1950	Philippe ..... D45/19
D159,582 S	8/1950	Boucher
D160,241 S	9/1950	Bardach ..... D45/16
2,526,134 A	10/1950	Henry ..... 63/32
2,538,090 A	1/1951	Ferragamo ..... 63/4
D165,468 S	12/1951	Katz ..... D45/19
2,584,207 A	2/1952	Holl ..... 63/27
2,634,593 A	4/1953	Moretti ..... 63/4
D176,664 S	1/1956	Katz ..... D45/16
2,775,093 A	* 12/1956	Kundert ..... D11/93



# US D469,717 S

Page 2

2,852,923 A	9/1958	Gamelsky .....	63/20
D184,930 S	4/1959	Gonicberg .....	D45/4
D186,903 S	12/1959	Hess .....	D45/4
3,025,820 A	3/1962	Rosenthal .....	113/116
D202,723 S	11/1965	Gaston .....	D45/4
3,483,716 A	12/1969	Stenzler	
D217,779 S	* 6/1970	Speidel .....	D11/93
D217,880 S	* 6/1970	Cowan .....	D11/93
3,670,524 A	6/1972	Korwin .....	63/18
4,154,282 A	5/1979	Kull .....	164/9
4,165,574 A	8/1979	Sciotti .....	40/21 R
D257,017 S	9/1980	Barr .....	D11/16
D265,639 S	8/1982	Barr .....	D11/17
D266,954 S	11/1982	Gordan .....	D26/24
4,399,910 A	8/1983	Gutentag .....	206/0.82
4,488,415 A	12/1984	Jenkins	
D277,466 S	2/1985	Chien .....	D11/41
4,551,993 A	11/1985	Nagahori .....	63/31
4,566,294 A	1/1986	Brzozowski .....	63/15
4,763,489 A	8/1988	Strong .....	63/4
4,781,038 A	11/1988	Branca et al. ....	63/26
D314,528 S	2/1991	Chia et al. ....	D11/93
D314,730 S	2/1991	Chia et al. ....	D11/93
D314,929 S	2/1991	Chia et al. ....	D11/6
D317,139 S	5/1991	Chia et al. ....	D11/93
D317,423 S	6/1991	Chia et al. ....	D11/93
D319,033 S	8/1991	Chia et al. ....	D11/93
5,056,337 A	10/1991	Nhaissi .....	63/26
D322,043 S	12/1991	Chia et al. ....	D11/93
D325,180 S	4/1992	Chia et al. ....	D11/93
D325,709 S	4/1992	Chia et al. ....	D11/93
D325,710 S	4/1992	Chia et al. ....	D11/93
D325,711 S	4/1992	Chia et al. ....	D11/93
D325,886 S	5/1992	Chia et al. ....	D11/93
D329,026 S	9/1992	Chia et al. ....	D11/93
D329,206 S	9/1992	Chia et al. ....	D11/93
D329,401 S	9/1992	Chia et al. ....	D11/93
D331,726 S	12/1992	Chia et al. ....	D11/93
D335,639 S	5/1993	Chia et al. ....	D11/93
D336,057 S	6/1993	Chia et al. ....	D11/93
D336,059 S	6/1993	Chia et al. ....	D11/93
D336,060 S	6/1993	Chia et al. ....	D11/93
D337,069 S	7/1993	Chia et al. ....	D11/93
D337,070 S	7/1993	Chia et al. ....	D11/93
D337,283 S	7/1993	Keshishian .....	D11/93
D337,546 S	7/1993	Keshishian .....	D11/93
D337,547 S	7/1993	Keshishian .....	D11/93
D338,852 S	8/1993	Keshishian .....	D11/93
5,355,698 A	10/1994	Edmark .....	63/29.1
5,365,754 A	11/1994	Nalbandian .....	63/26
D379,074 S	5/1997	Udko .....	D11/91
D388,016 S	12/1997	Kejejian .....	D11/91
5,694,791 A	12/1997	Esposito .....	63/3
5,806,345 A	9/1998	Bonchek	
D406,247 S	3/1999	Chia et al. ....	D11/93
5,992,177 A	11/1999	Beard	
D418,445 S	1/2000	Chia et al. ....	D11/93
D418,446 S	1/2000	Chia et al. ....	D11/93
D423,981 S	5/2000	Chia et al. ....	D11/93
6,116,054 A	9/2000	Czupor	

## FOREIGN PATENT DOCUMENTS

CH	238894	8/1945	
EP	0 063 751 A1	11/1982	..... A44C/3/00
FR	608150	7/1926	..... 17/5
FR	709603	8/1931	..... 17/5
FR	1 319 354	5/1963	
GB	1 077 460	7/1967	
GB	1 200 257	7/1970	
GB	2 070 344 A	9/1981	
GB	2 077 441 A	12/1981	

WO 00/38551 7/2000 ..... A44C/17/02

## OTHER PUBLICATIONS

Variety Gem Co., Inc.; *JCK Catalog* May 1997; Items N5526, N5520A, N5520B; one page.  
 Wards, Gold Hoop (Earring) with Diamond Cut Ovals, Item #459312000; 4 pages.  
 "Charms" catalog, p. 136, Item #136-20, by Americas Gold, 650 South Hill St., Los Angeles, CA 90014.  
 Items #P10529, #84622, National Jeweler, May 16, 1997.  
 Janet Alix necklace, Jewelers' Circular Keystone, May 1997.  
 Catalog Item #4D, Skalet Gold, 3600 N. Talman Ave., Chicago, IL 60618.  
 Caroline Ballou Collection, June Las Vegas Show, K25-K27, and Barnett Robinson, Inc., June Las Vegas Show, Galleria #10.  
 Item N362, P.Q.C. Jewelry, National Jeweler, Jun. 1, 1998, p. 142.  
 "Love Tears" collection, by Studs, Inc., 42 West 48th Street, New York, NY 10036.  
 Slide Pendent, by Superior Diamond Cutters Inc., 589 Fifth Ave., New York, NY 10017.  
 Uni-Creation Inc., Emby International Inc. collection, 589 Fifth Ave., New York, NY 10017.  
 A Promotional Supplement to JCK, May 1997, pp. 178-179.  
 Item SS424, Corona Jewelry Company, 16 Ripley Ave., Toronto, Ontario, M6S 3N9, Canada.  
 "Bezel-set Jewelry," California Gold Center, 606 South Hill Street, Los Angeles, CA 90014.  
 "Partners" fashion jewelry, Cache fashion watches, Mervyn's California catalog flyer, 1998, p. 11.  
*A&A Jewelry Tools & Findings Catalog*, p. G92.  
*The Gold Book*, Oro America, Item Nos. HE.142(A) 2.37gr. (89), HE.141 (A) 2.37gr. (89), HE.143 (A) 2.89gr. (108), p. 18 (1996).  
 The Multi-Color Gold Jewelry Book, Oro America, p. 1, Earring Items; ETR.014; ETR.022; ETLB.001.  
 Crafford Precision Products Co. Catalog "Laser Spot-Welding Systems," One Industrial Court, Riverside, RI 02915.  
 Gervais, J. "A Little Light Welding", *AJM*, May 1998.  
*Fancy Catalog*, Item Nos. 11111, 11112, 11114, p. 111.  
 Jaha Jewelry, Inc., Item Nos. J2-1, J3-15, J6-9, J6-13, J6-16, Ja10-1, J10-2, J13-19, (640 S. Hill St., #748, Los Angeles, CA 90014).

\* cited by examiner

*Primary Examiner*—Ralf Seifert  
 (74) *Attorney, Agent, or Firm*—Ladas & Parry

## (57) CLAIM

The ornamental design for a jewelry component, as shown and described.

## DESCRIPTION

Reference is made to Applicants': U.S. patent application Ser. No. 09/224,936 filed Dec. 31, 1998 entitled "Decorative Jewelry Article"; U.S. patent application Ser. No. 09/383,814 filed Aug. 26, 1999 entitled "Decorative Jewelry Item"; U.S. Design Application Ser. No. 29/116,859 filed Jan. 11, 2000, now U.S. Pat. No. D. 448,318 entitled "Jewelry Component"; and U.S. Document Disclosure Certificate No. 459913, recorded Jul. 30, 1999.

FIG. 1 is a perspective view of a first embodiment of a jewelry component showing our new design;

FIG. 2 is a top plan view of the first embodiment;

FIG. 3 is a left side elevational view of the first, second, third, and fourth embodiments, the right elevational view being a mirror image;

FIG. 4 is a front elevational view of the first, second, third, and fourth embodiments, the rear elevational view being a mirror image;

FIG. 5 is a perspective view of a second embodiment of a jewelry component showing our new design;

FIG. 6 is a top plan view of the second embodiment;

FIG. 7 is a perspective view of a third embodiment of a jewelry component showing our new design;

FIG. 8 is a top plan view of the third embodiment;

FIG. 9 is a perspective view of a fourth embodiment of a jewelry component showing our new design;

FIG. 10 is a top plan view of the fourth embodiment;

FIG. 11 is a perspective view of a fifth embodiment of a jewelry component showing our new design;

FIG. 12 is a top plan view of the fifth embodiment;

FIG. 13 is an enlarged partial cross sectional view taken along the line 13—13 in FIG. 12 to show only the feature of the sloping top;

FIG. 14 is a left side elevational view of the fifth, sixth, seventh, eighth, and ninth embodiments, the right elevational view being a mirror image;

FIG. 15 is a front elevational view of the fifth, sixth, seventh, eighth, and ninth embodiments, the rear elevational view being a mirror image;

FIG. 16 is a perspective view of a sixth embodiment of a jewelry component showing our new design;

FIG. 17 is a top plan view of the sixth embodiment;

FIG. 18 is an enlarged partial cross sectional view taken along the line 18—18 in FIGS. 17, 20, 22, and 24 to show only the feature of the sloping top;

FIG. 19 is a perspective view of a seventh embodiment of a jewelry component showing our new design;

FIG. 20 is a top plan view of the seventh embodiment;

FIG. 21 is a perspective view of an eighth embodiment of a jewelry component showing our new design;

FIG. 22 is a top plan view of the eighth embodiment;

FIG. 23 is a perspective view of a ninth embodiment of a jewelry component showing our new design;

FIG. 24 is a top plan view of the ninth embodiment;

FIG. 25 is a perspective view of a tenth embodiment of a jewelry component showing our new design;

FIG. 26 is a top plan view of the tenth embodiment;

FIG. 27 is a left side elevational view of the tenth, eleventh, twelfth, thirteenth, and fourteenth embodiments, the right elevational view being a mirror image;

FIG. 28 is a front elevational view of the tenth, eleventh, twelfth, thirteenth, and fourteenth embodiments, the rear elevational view being a mirror image;

FIG. 29 is a perspective view of an eleventh embodiment of a jewelry component showing our new design;

FIG. 30 is a top plan view of the eleventh embodiment;

FIG. 31 is a perspective view of a twelfth embodiment of a jewelry component showing our new design;

FIG. 32 is a top plan view of the twelfth embodiment;

FIG. 33 is a perspective view of a thirteenth embodiment of a jewelry component showing our new design;

FIG. 34 is a top plan view of the thirteenth embodiment;

FIG. 35 is a perspective view of a fourteenth embodiment of a jewelry component showing our new design;

FIG. 36 is a top plan view of the fourteenth embodiment;

FIG. 37 is a perspective view of a fifteenth embodiment of a jewelry component showing our new design;

FIG. 38 is a top plan view of the fifteenth embodiment;

FIG. 39 is a left side elevational view of the fifteenth, sixteenth, seventeenth, eighteenth, and nineteenth embodiments, the right elevational view being a mirror image;

FIG. 40 is a front elevational view of the fifteenth, sixteenth, seventeenth, eighteenth, and nineteenth embodiments, the rear elevational view being a mirror image;

FIG. 41 is a perspective view of a sixteenth embodiment of a jewelry component showing our new design;

FIG. 42 is a top plan view of the sixteenth embodiment;

FIG. 43 is a perspective view of a seventeenth embodiment of a jewelry component showing our new design;

FIG. 44 is a top plan view of the seventeenth embodiment;

FIG. 45 is a perspective view of an eighteenth embodiment of a jewelry component showing our new design;

FIG. 46 is a top plan view of the eighteenth embodiment;

FIG. 47 is a perspective view of a nineteenth embodiment of a jewelry component showing our new design;

FIG. 48 is a top plan view of the nineteenth embodiment;

FIG. 49 is a perspective view of a twentieth embodiment of a jewelry component showing our new design;

FIG. 50 is a top plan view of the twentieth embodiment;

FIG. 51 is an enlarged partial cross sectional view taken along the line 51—51 in FIG. 50 to show only the feature of the sloping top;

FIG. 52 is a left side elevational view of the twentieth, twenty-first, twenty-second, twenty-third, and twenty-fourth embodiments, the right elevational view being a mirror image;

FIG. 53 is a front elevational view of the twentieth, twenty-first, twenty-second, twenty-third, and twenty-fourth embodiments, the rear elevational view being a mirror image;

FIG. 54 is a perspective view of a twenty-first embodiment of a jewelry component showing our new design;

FIG. 55 is a top plan view of the twenty-first embodiment;

FIG. 56 is an enlarged partial cross sectional view taken along the line 56—56 in FIGS. 55, 58, 60, and 62 to show only the feature of the sloping top;

FIG. 57 is a perspective view of a twenty-second embodiment of a jewelry component showing our new design;

FIG. 58 is a top plan view of the twenty-second embodiment;

FIG. 59 is a perspective view of a twenty-third embodiment of a jewelry component showing our new design;

FIG. 60 is a top plan view of the twenty-third embodiment;

FIG. 61 is a perspective view of a twenty-fourth embodiment of a jewelry component showing our new design; and,

FIG. 62 is a top plan view of the twenty-fourth embodiment.

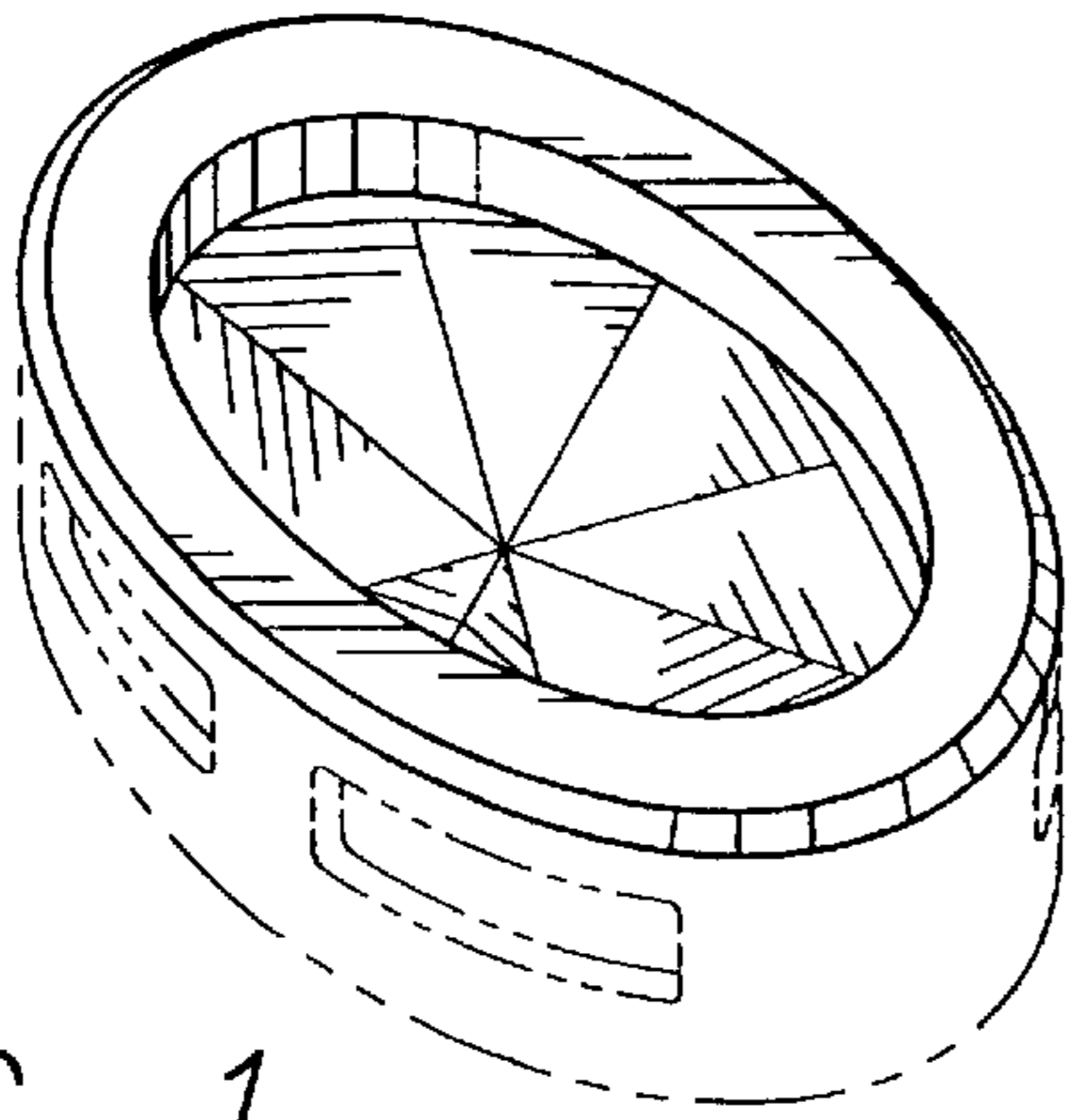


FIG. 1

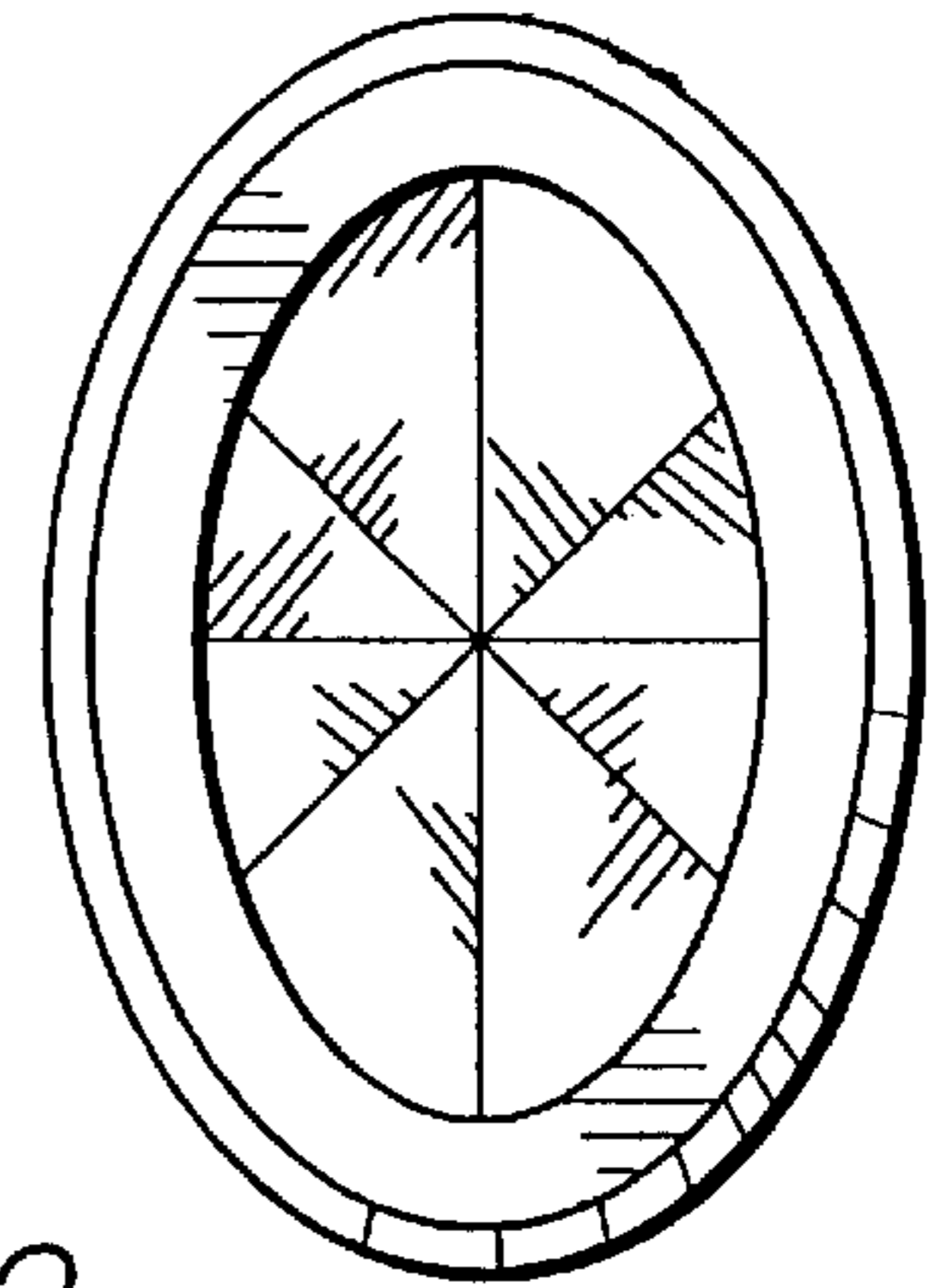


FIG. 2

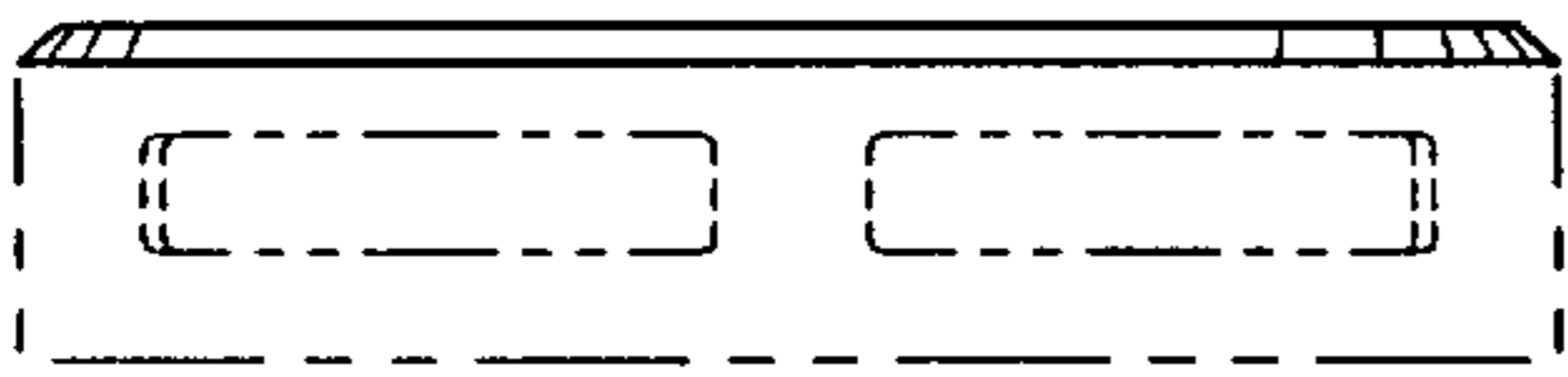


FIG. 3

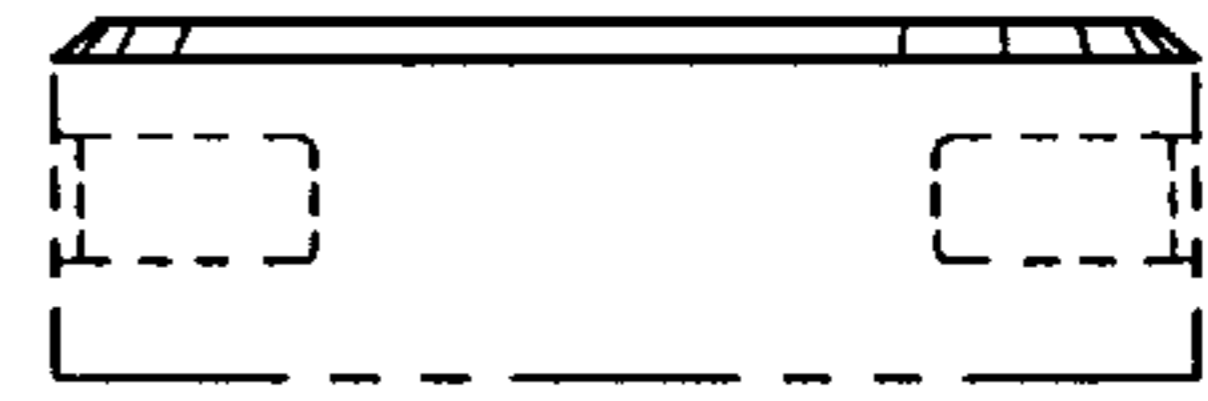


FIG. 4

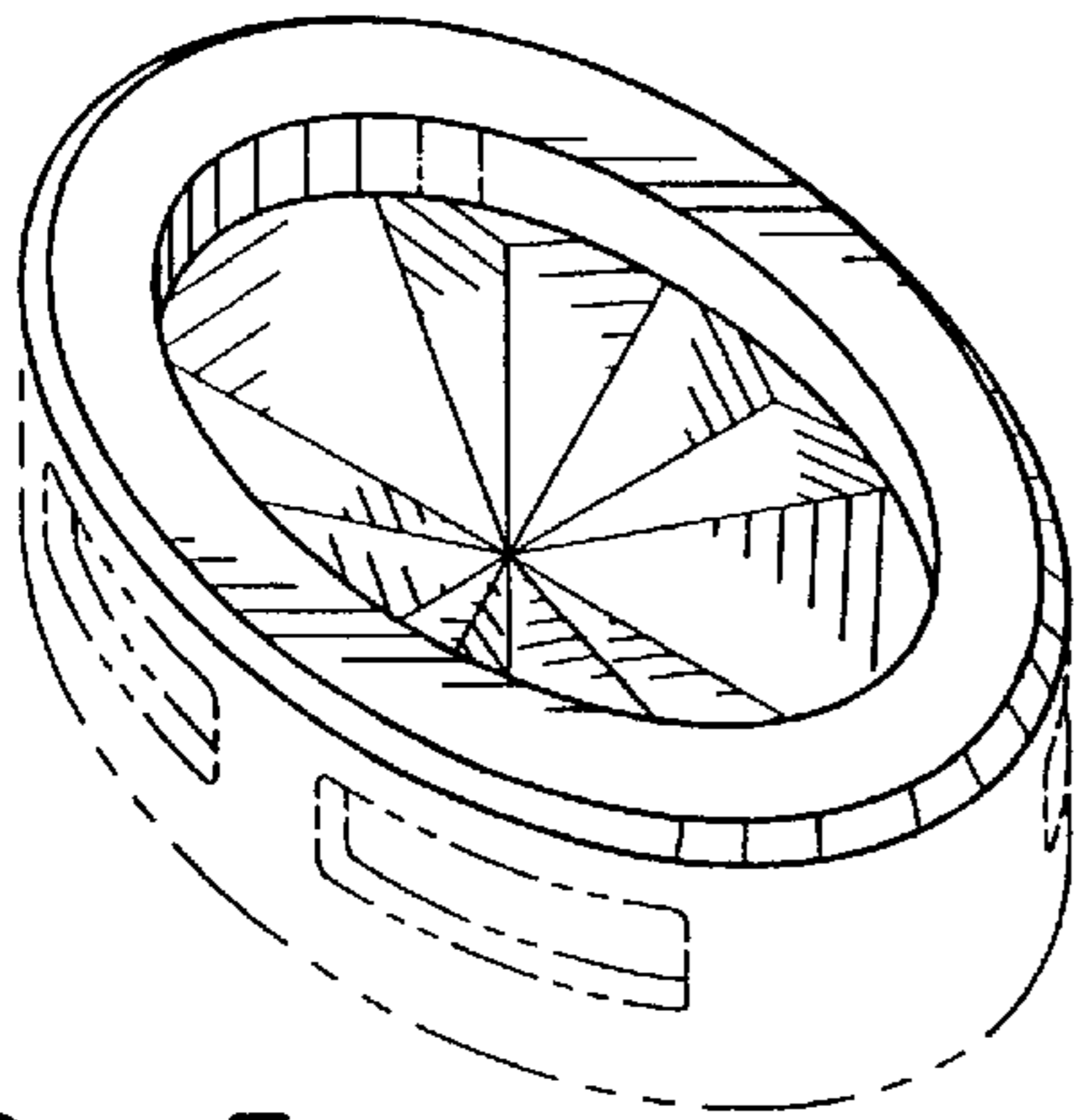


FIG. 5

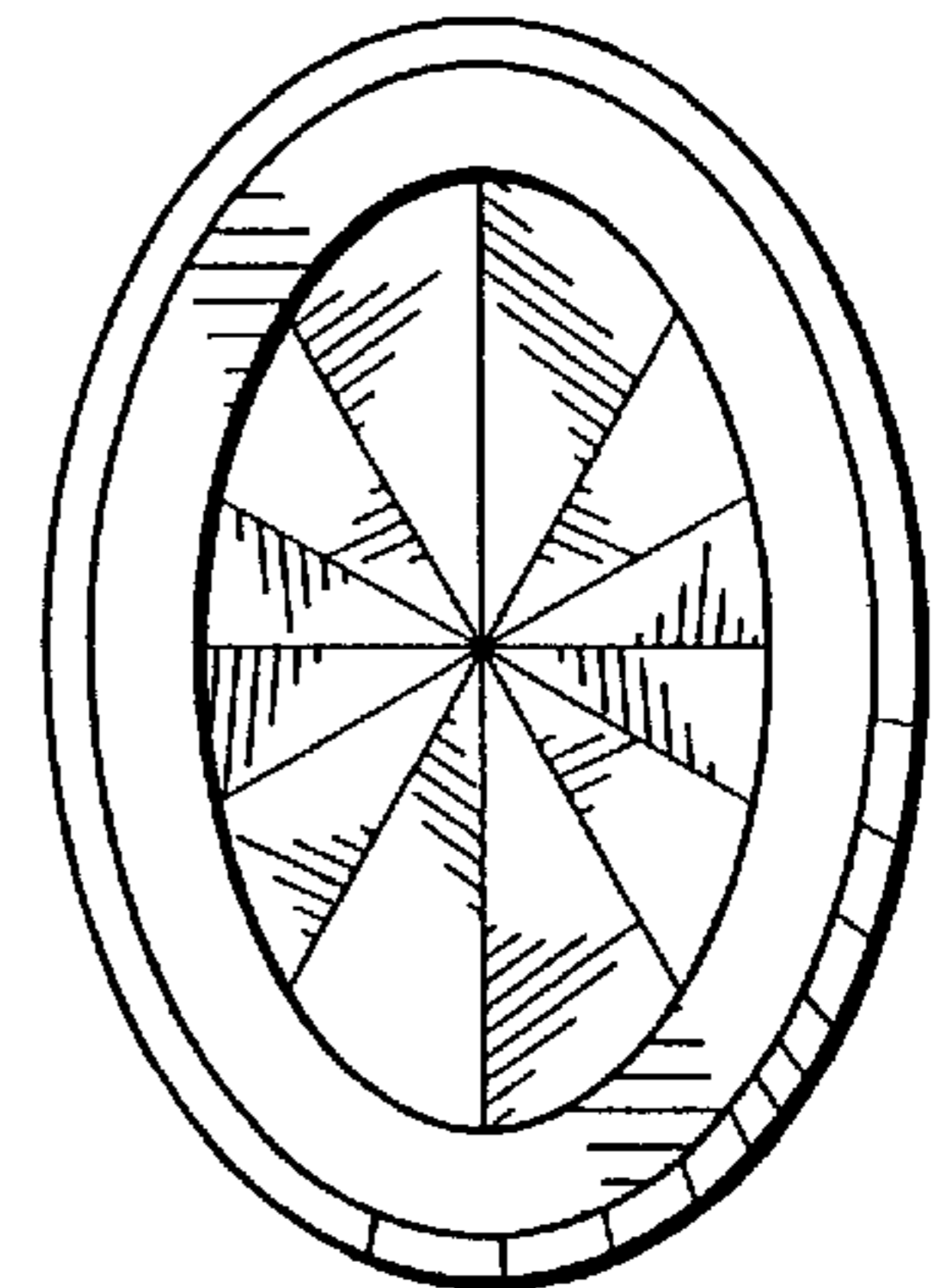


FIG. 6

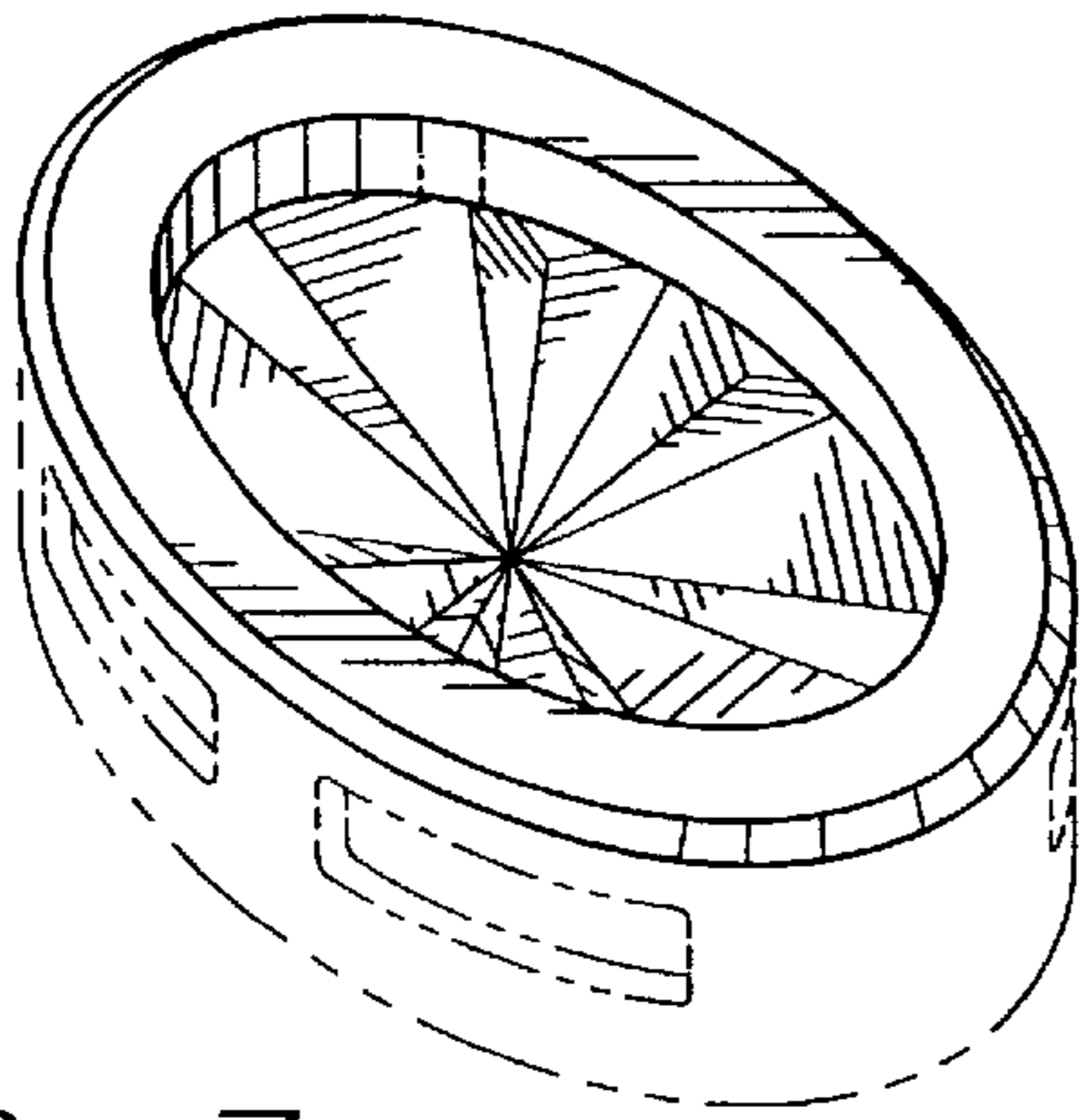


FIG. 7

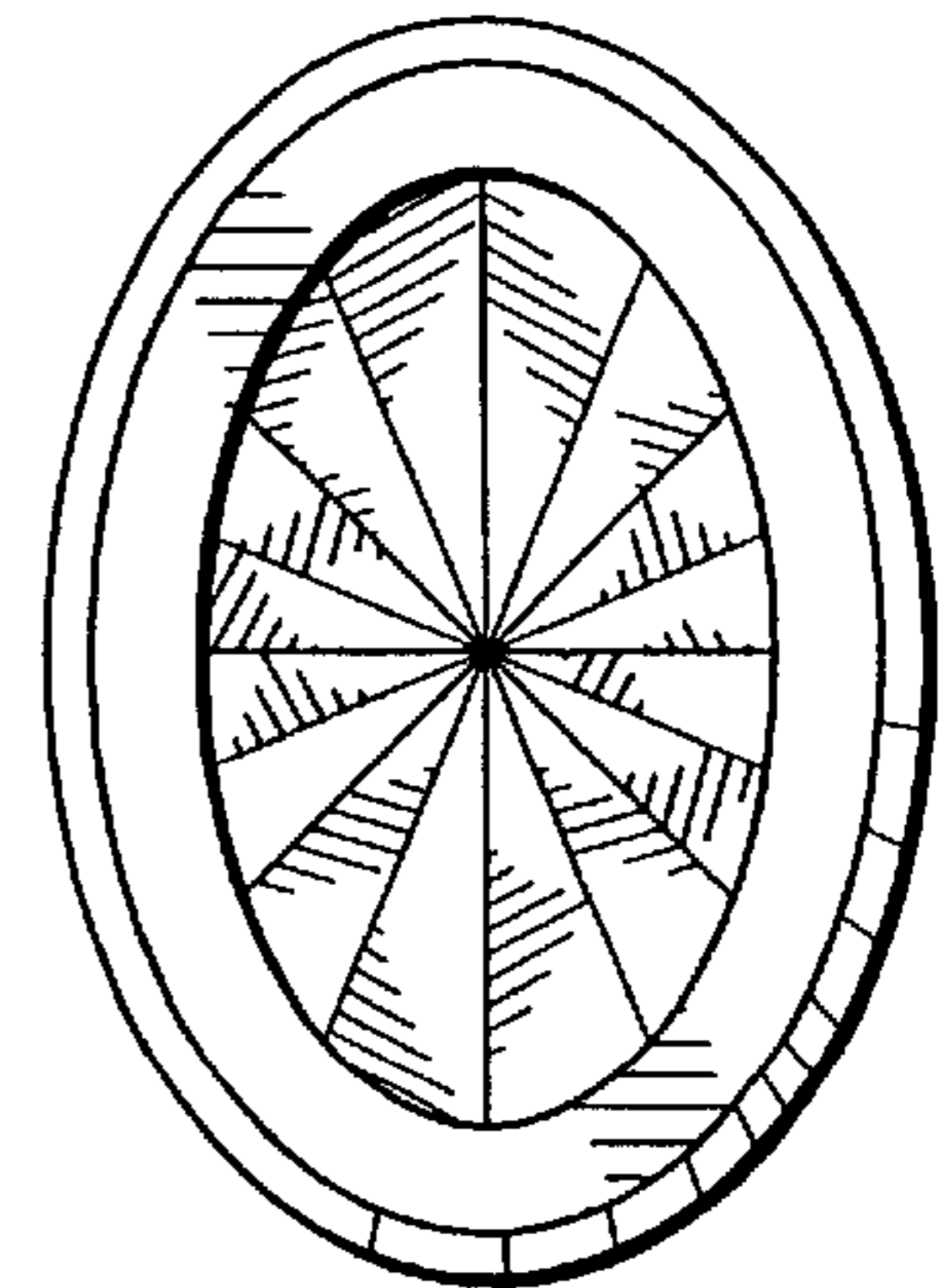


FIG. 8

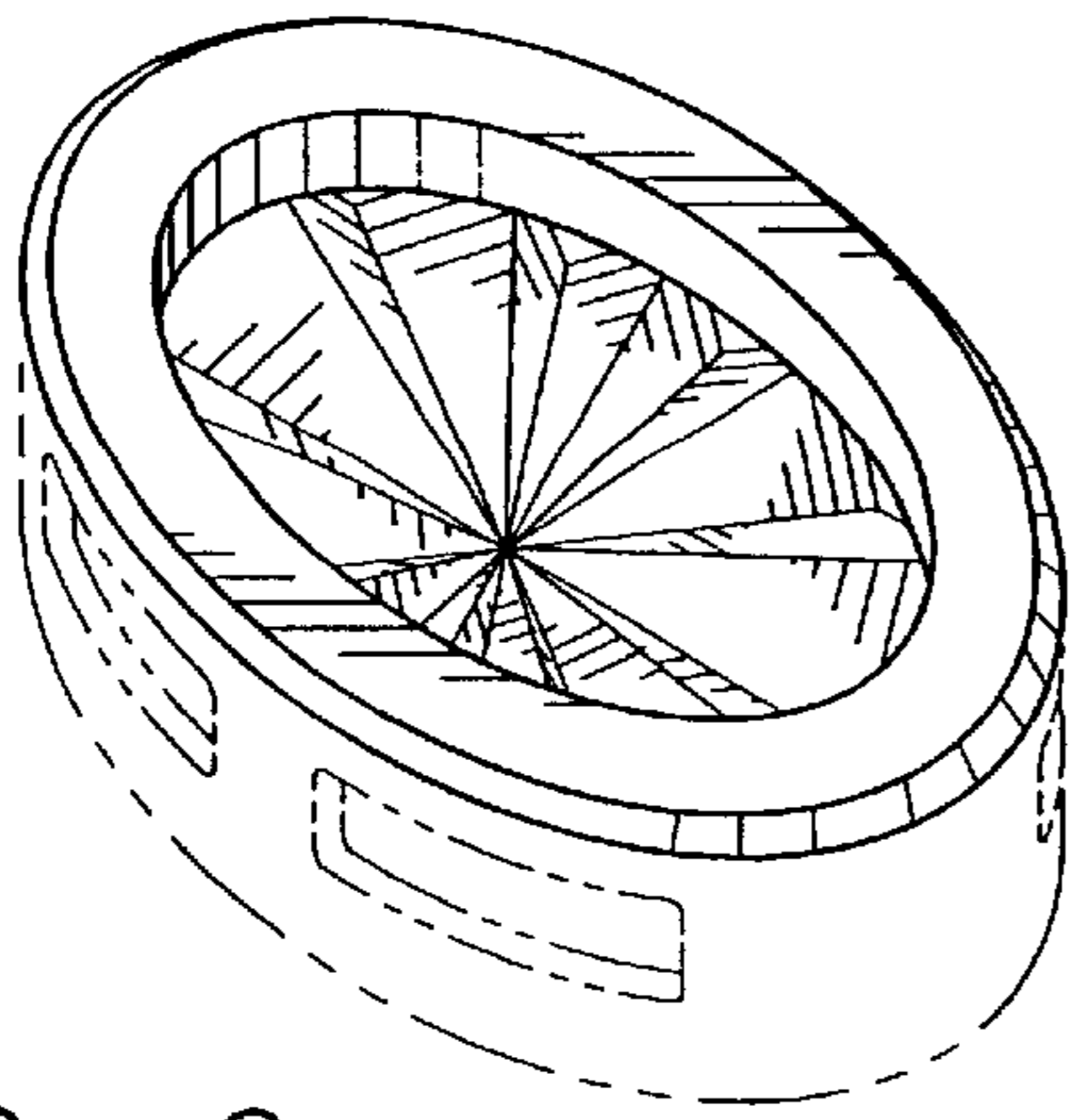


FIG. 9

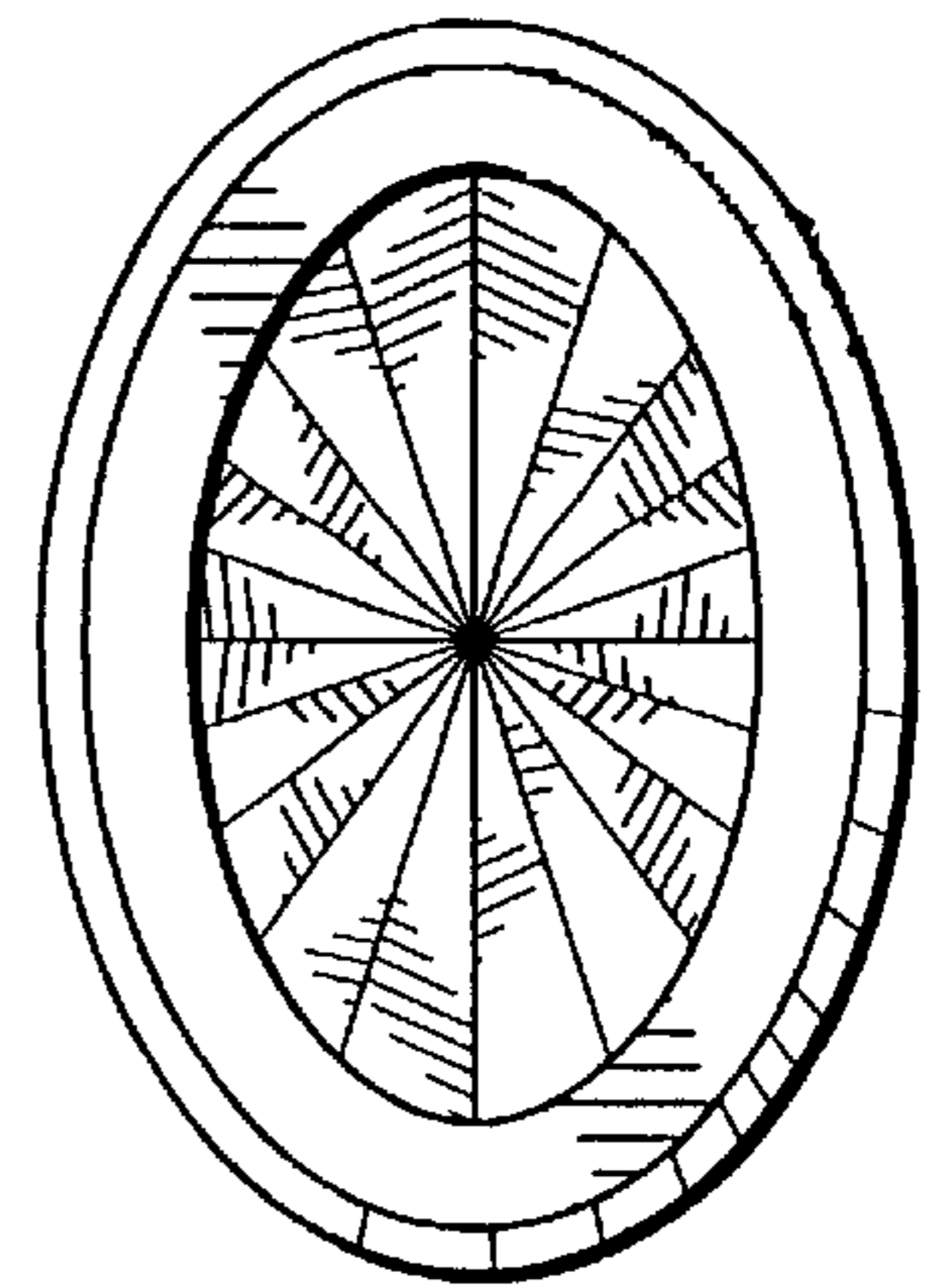


FIG. 10

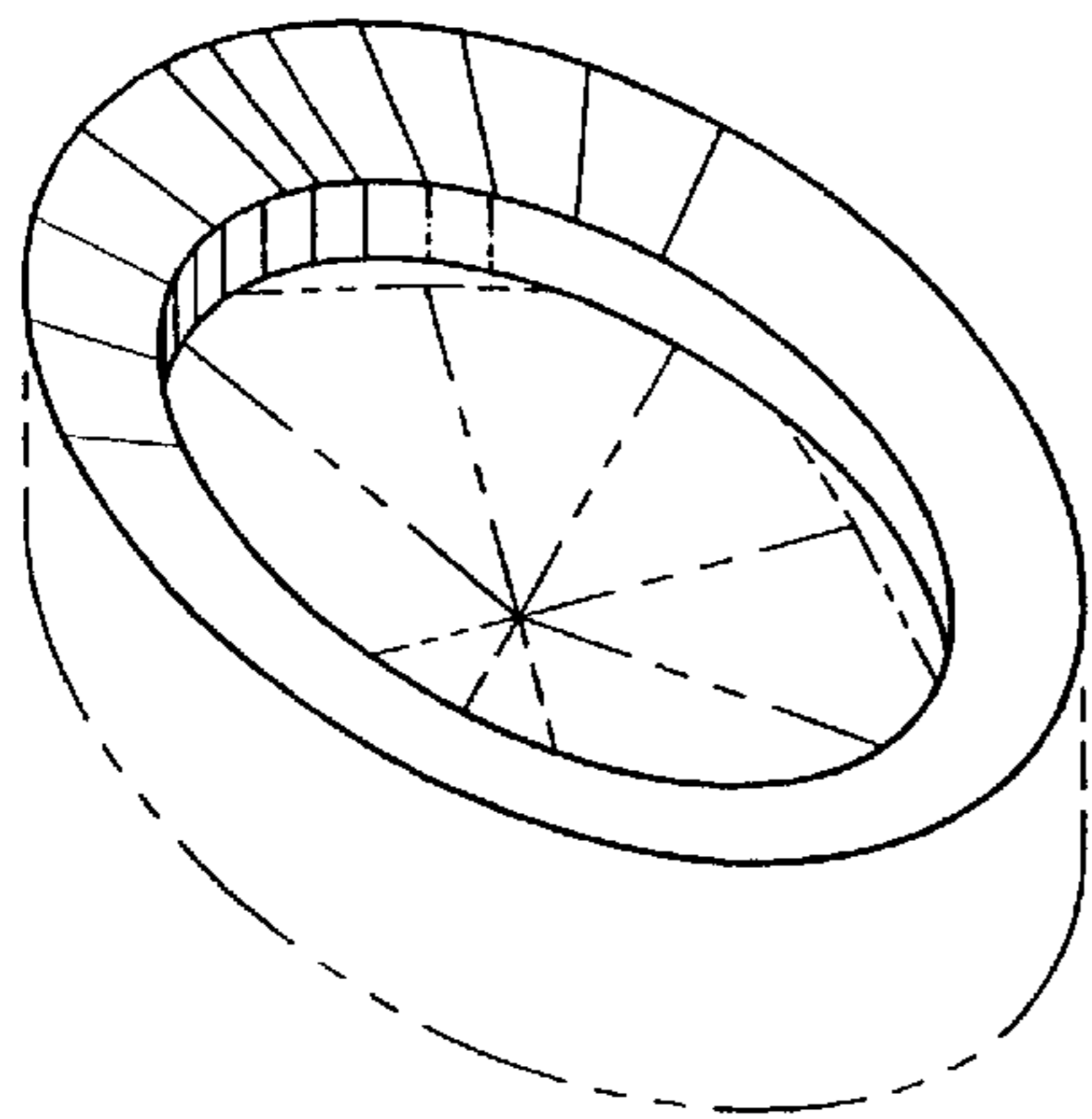


FIG. 11

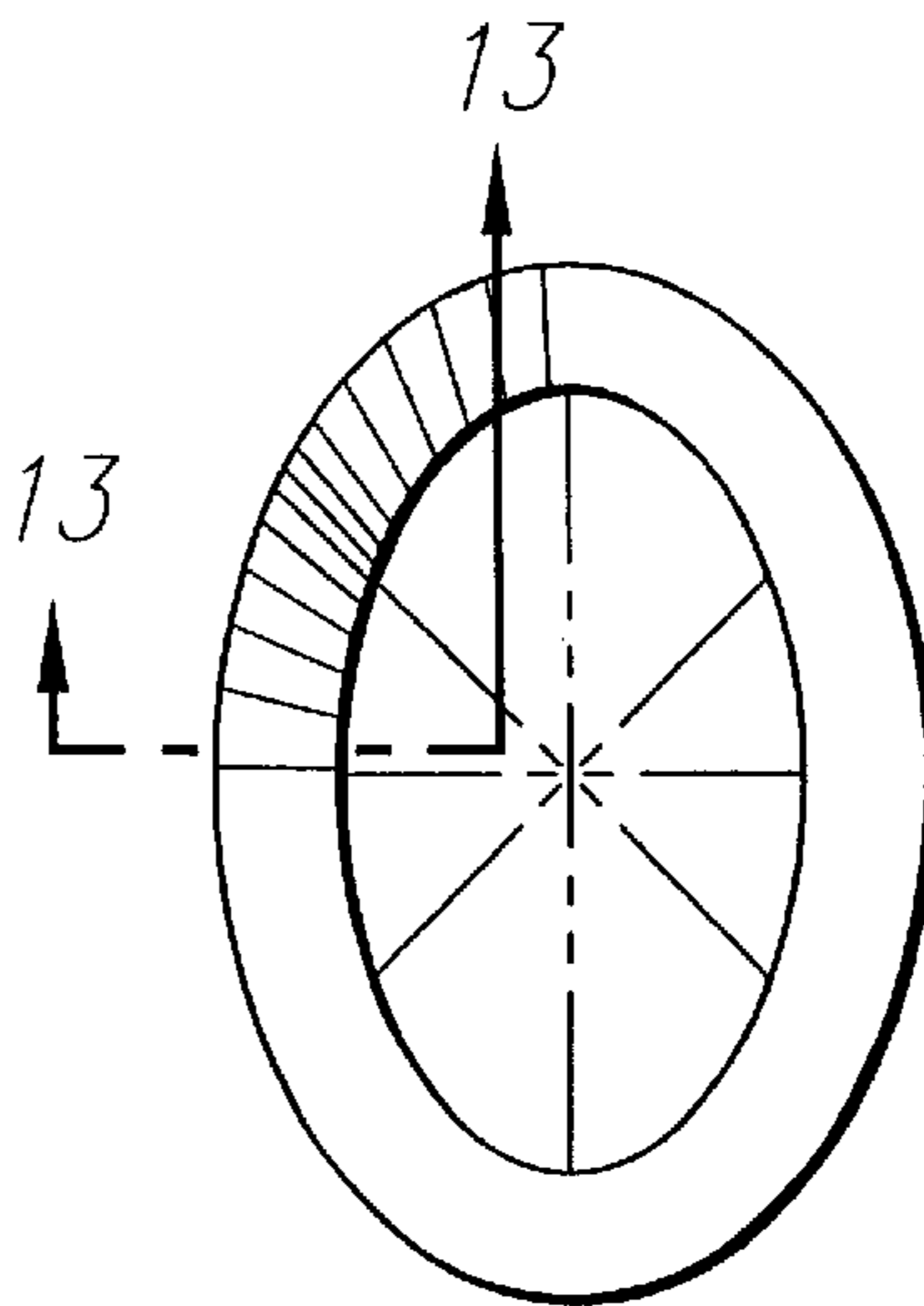


FIG. 12

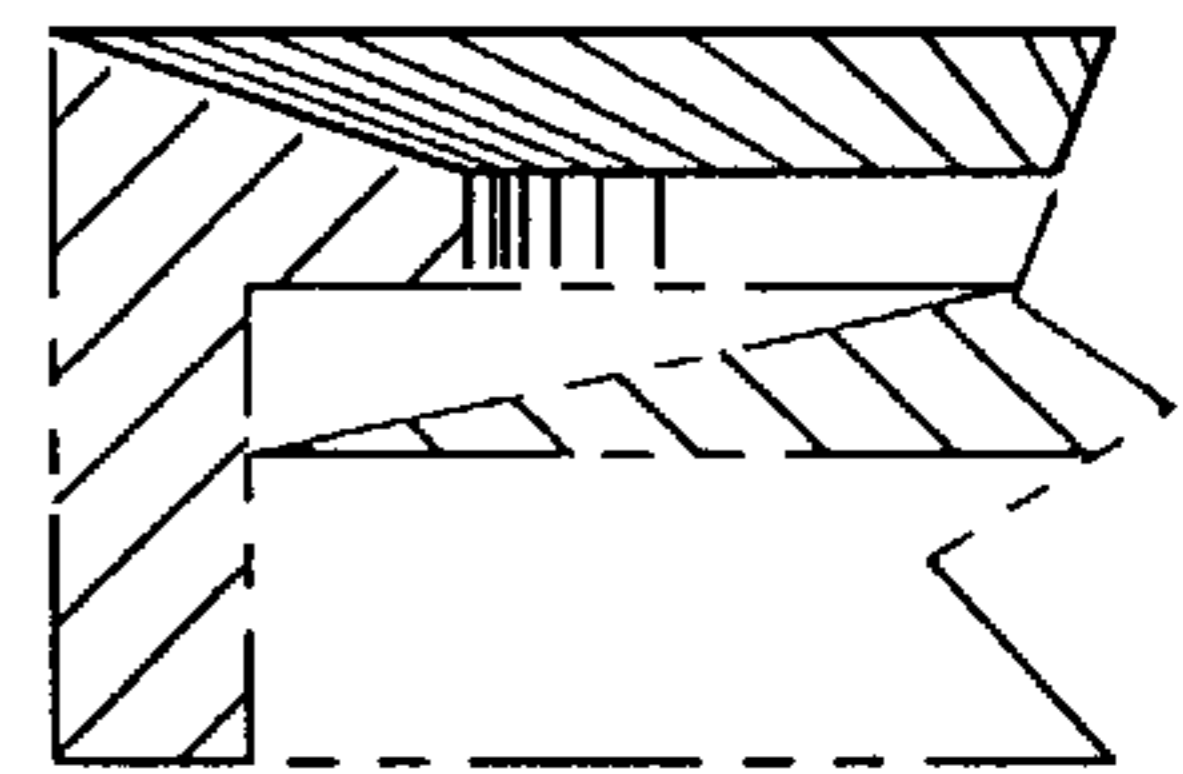


FIG. 13

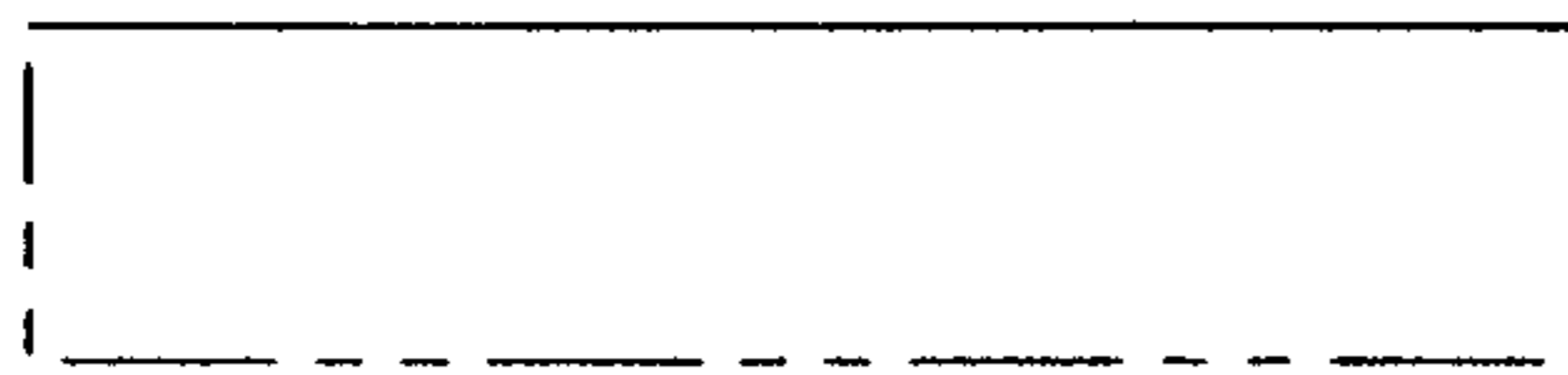


FIG. 14



FIG. 15

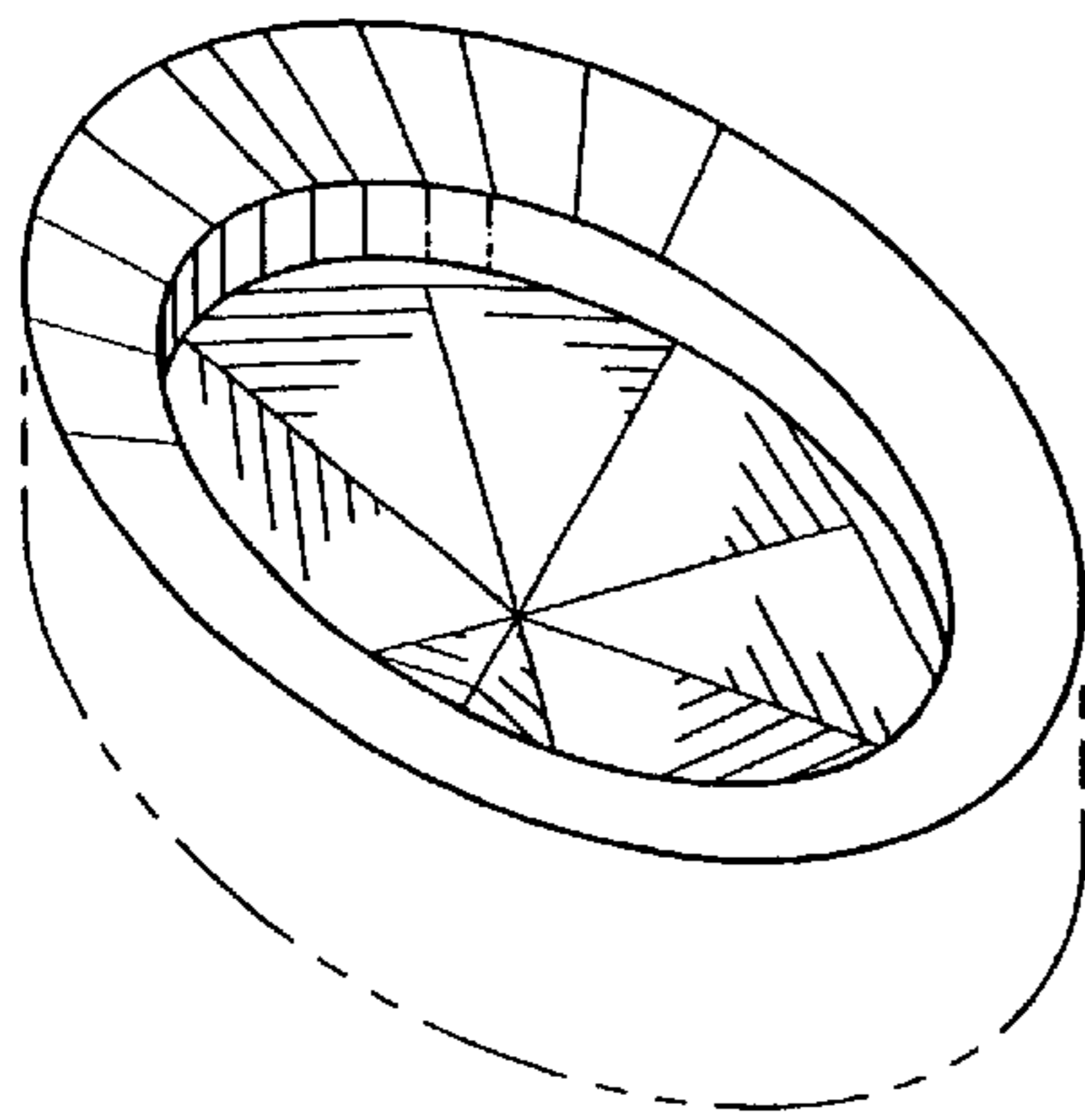


FIG. 16

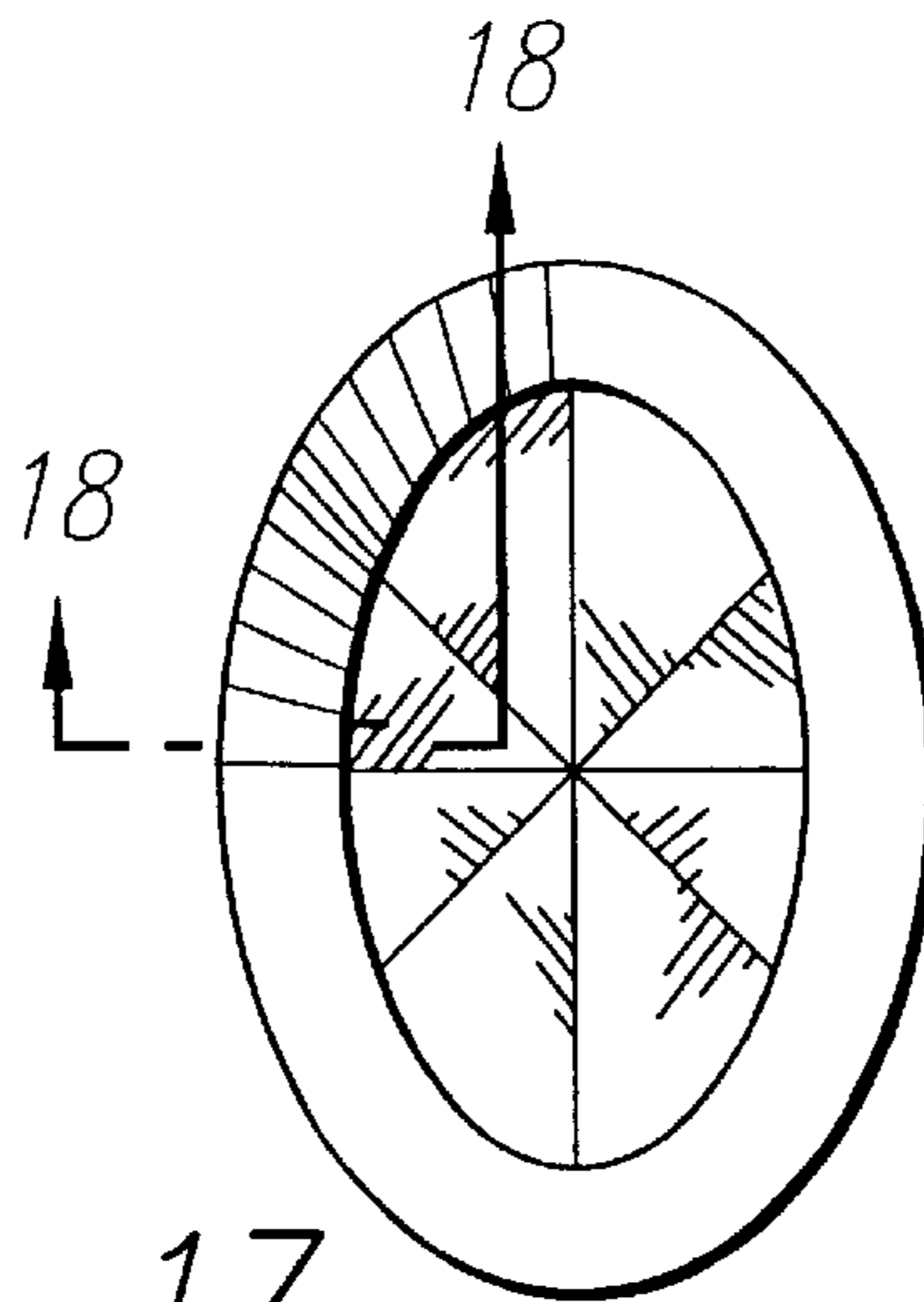


FIG. 17

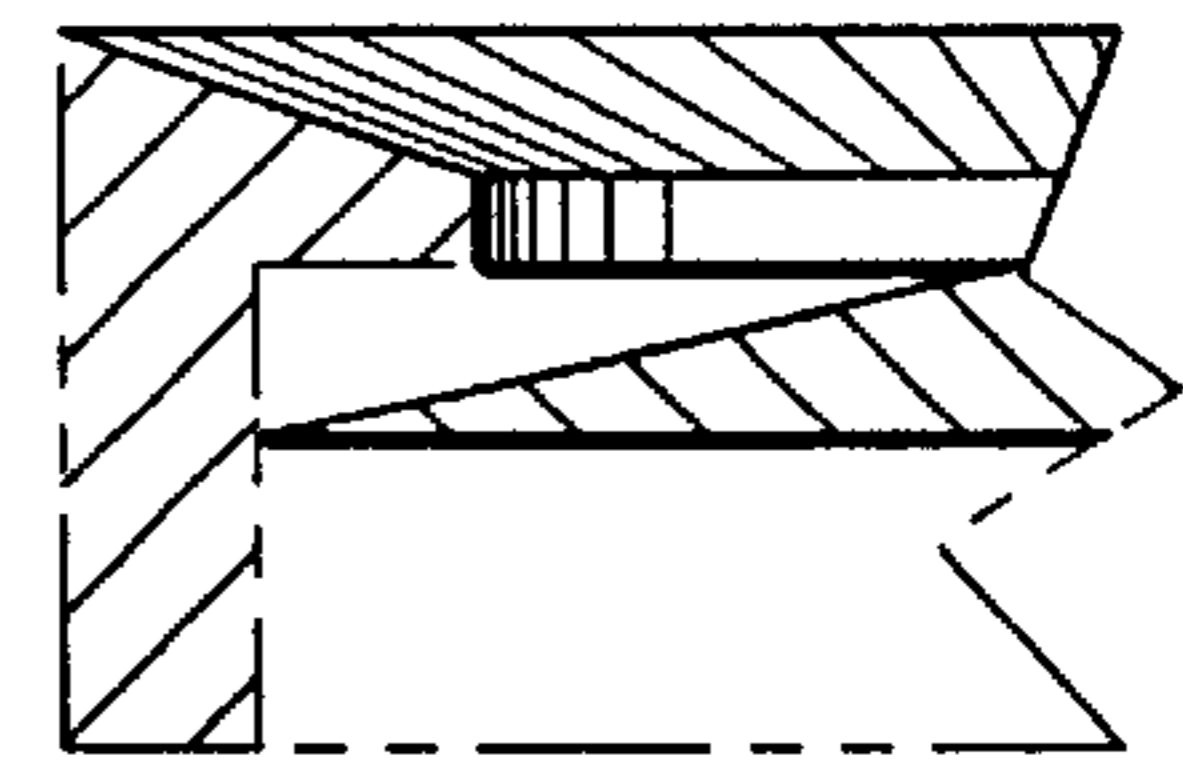


FIG. 18

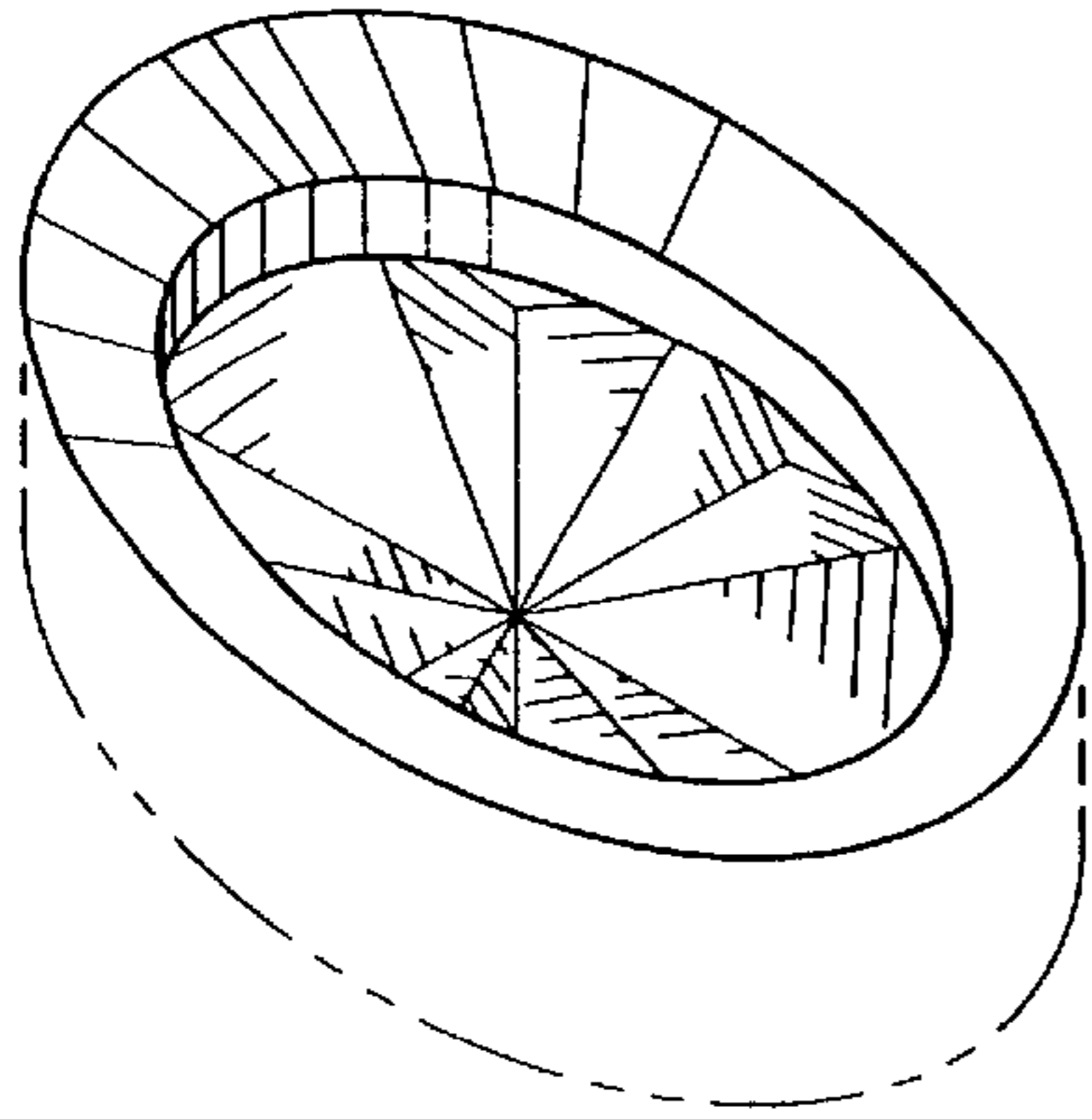


FIG. 19

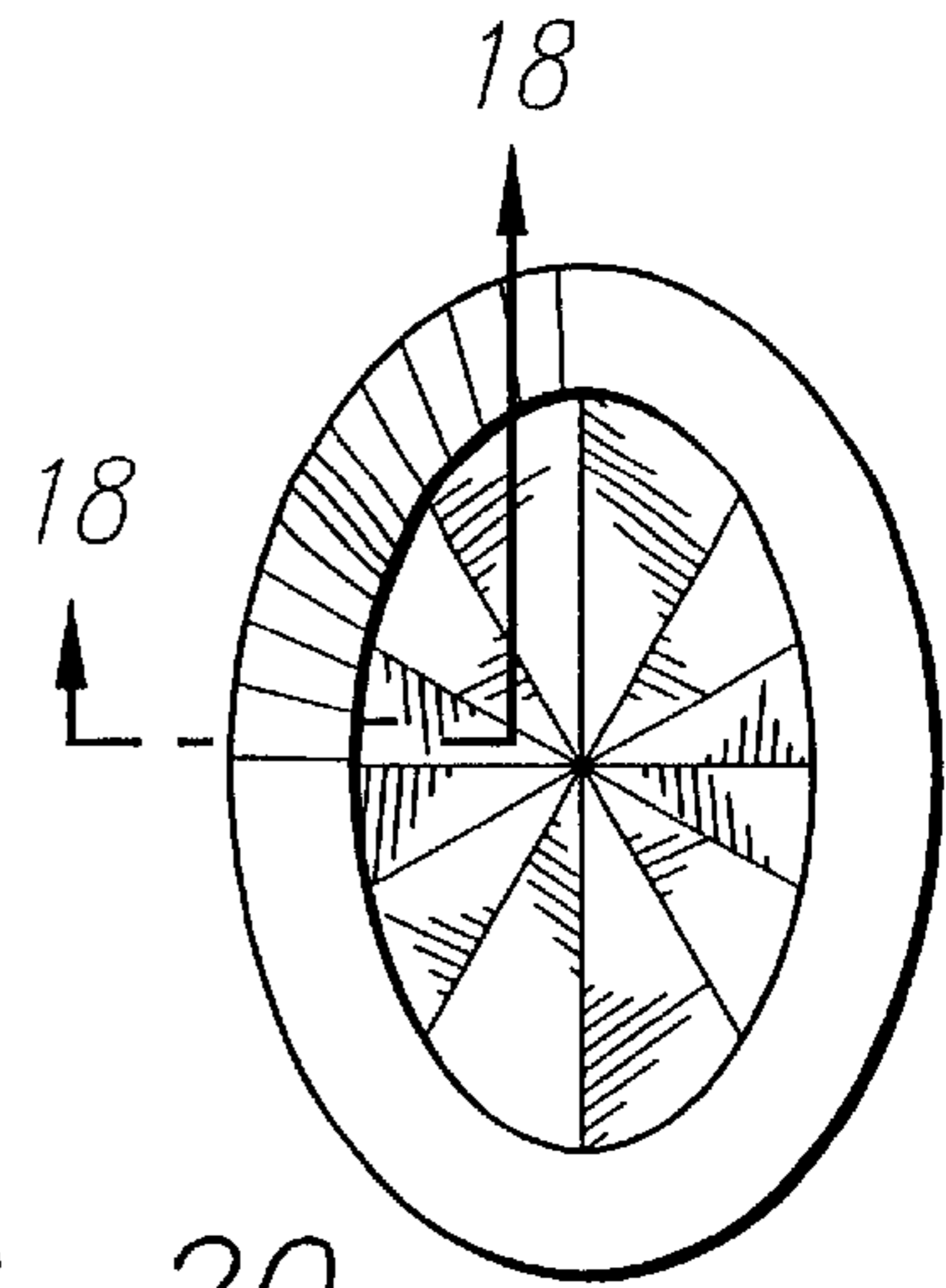


FIG. 20

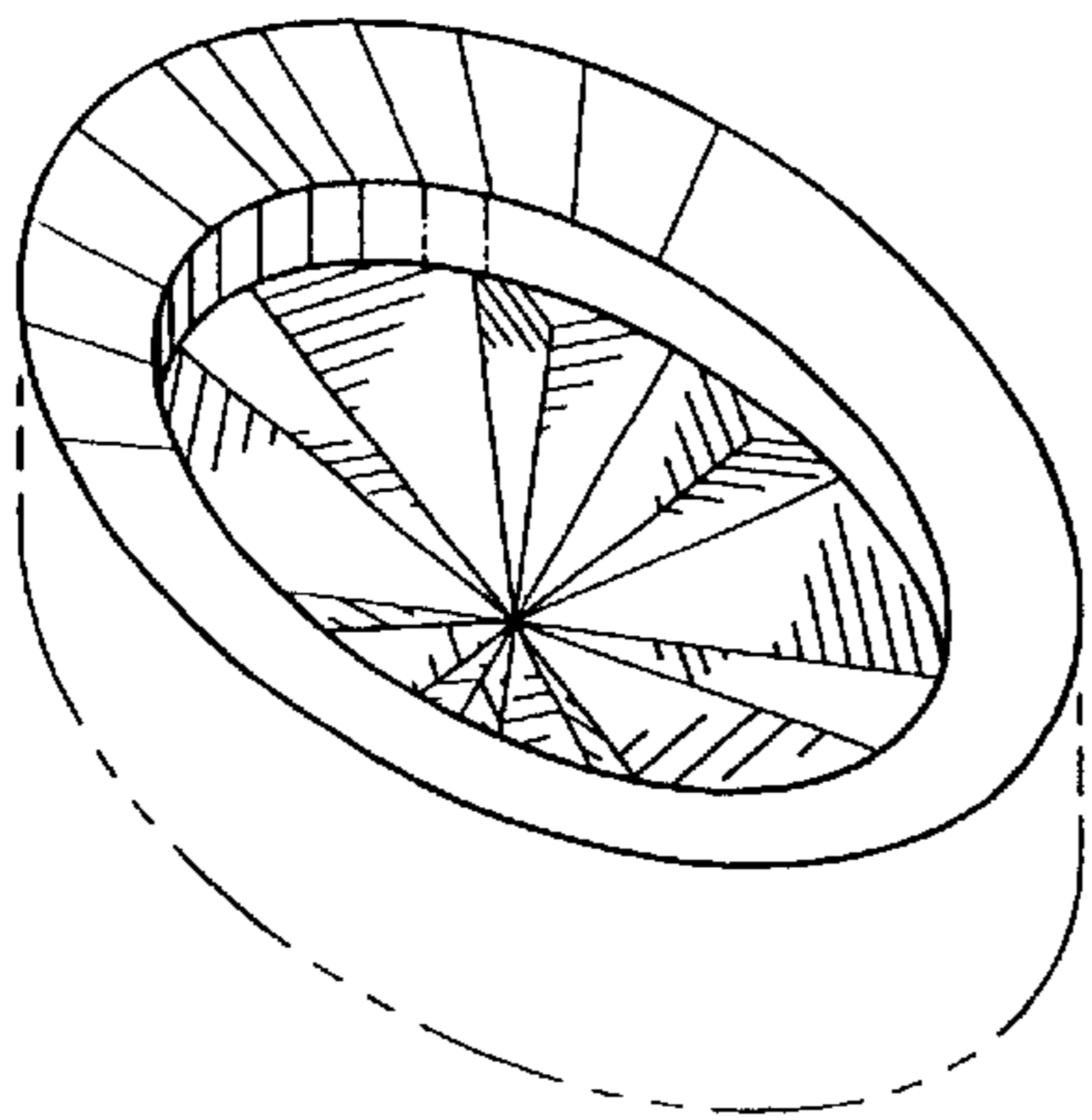


FIG. 21

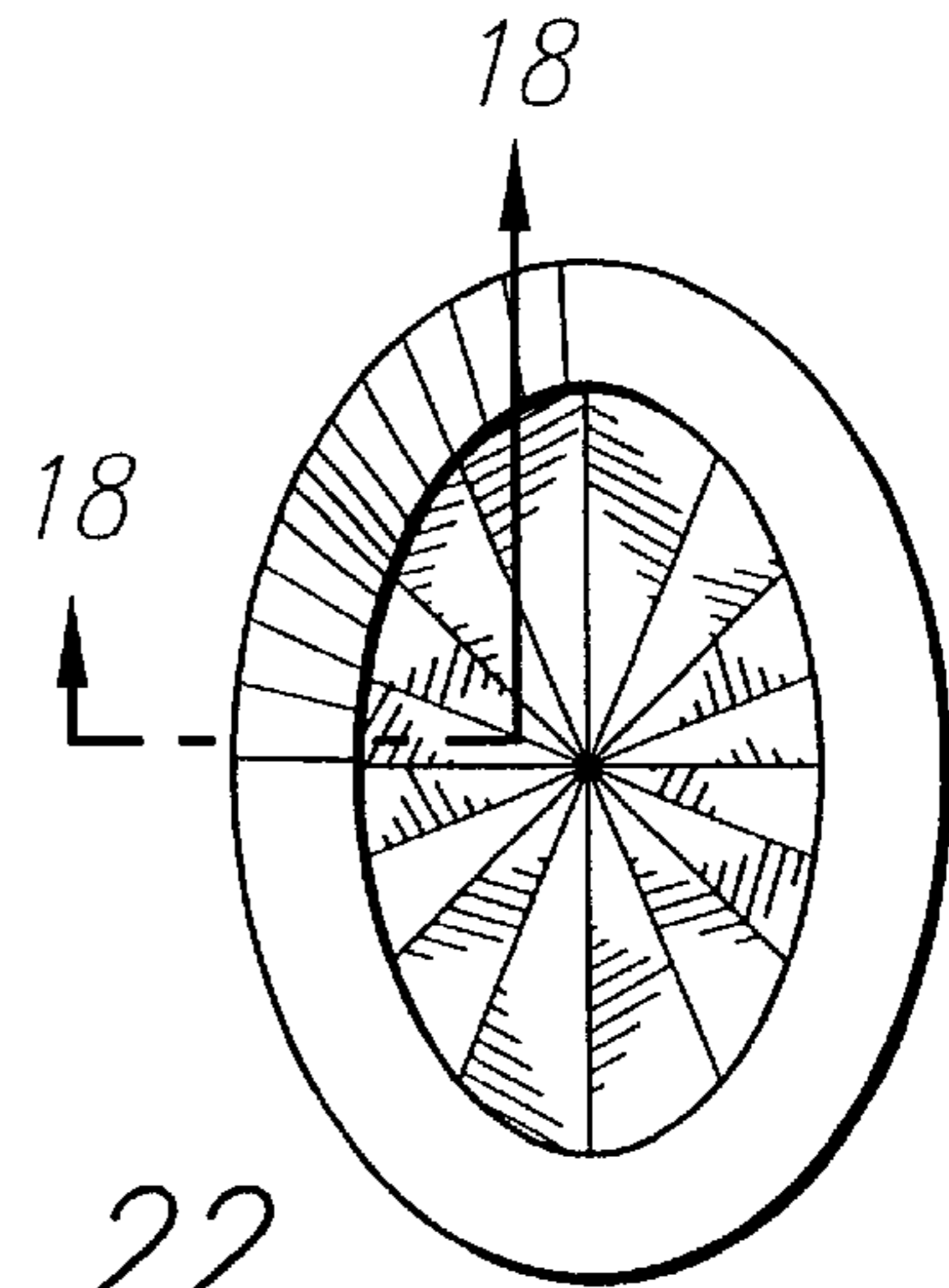


FIG. 22

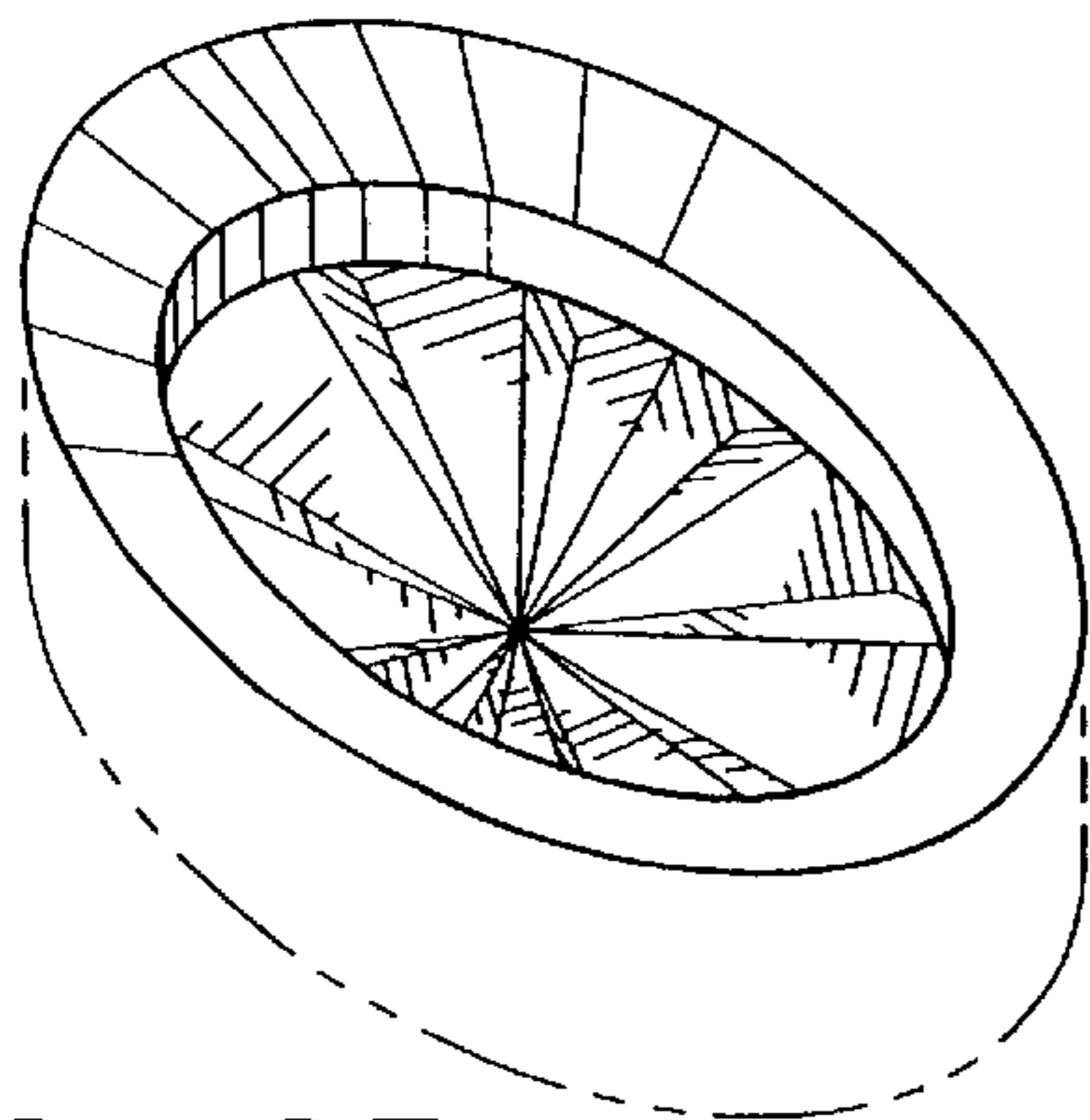


FIG. 23

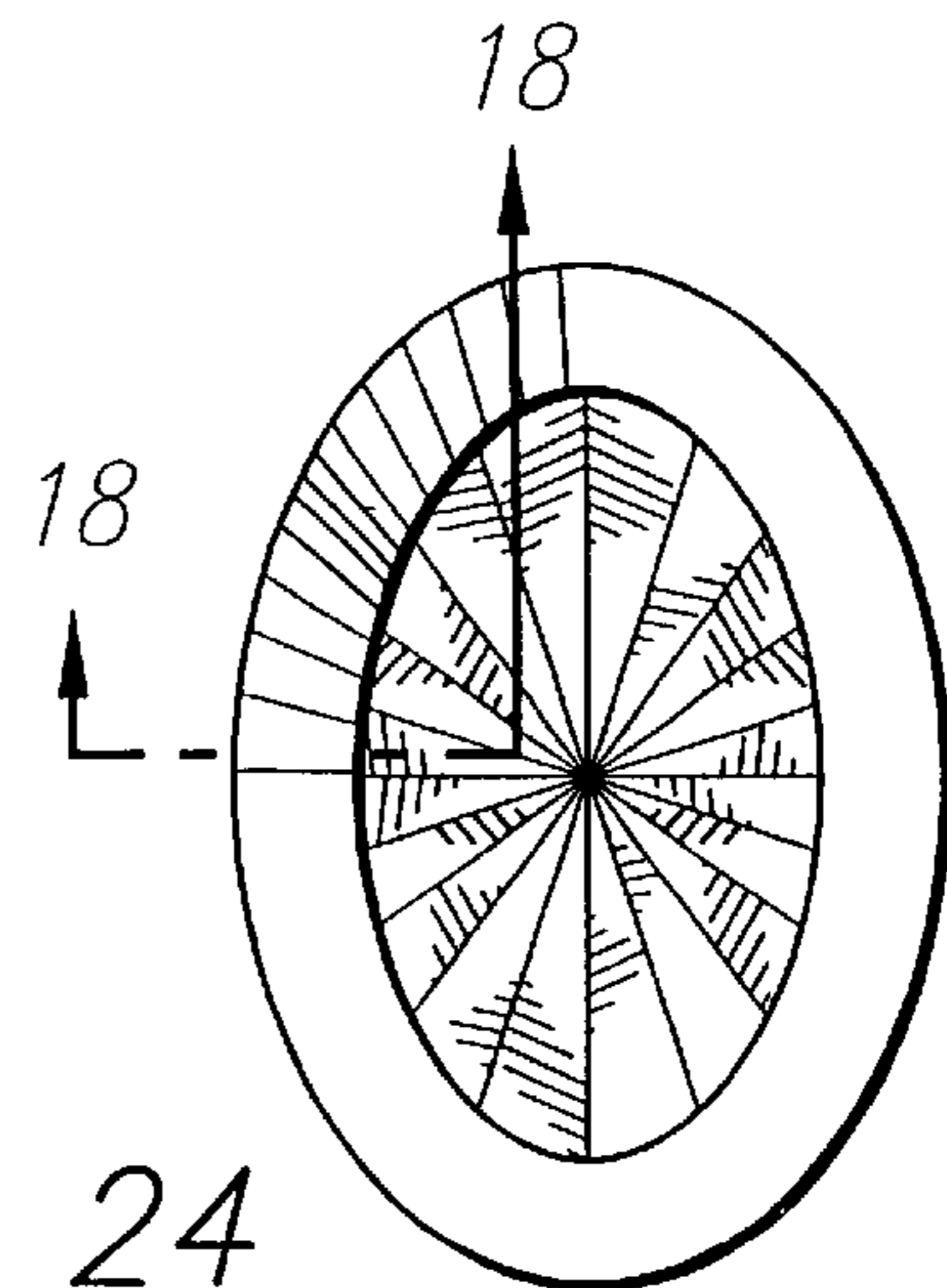


FIG. 24

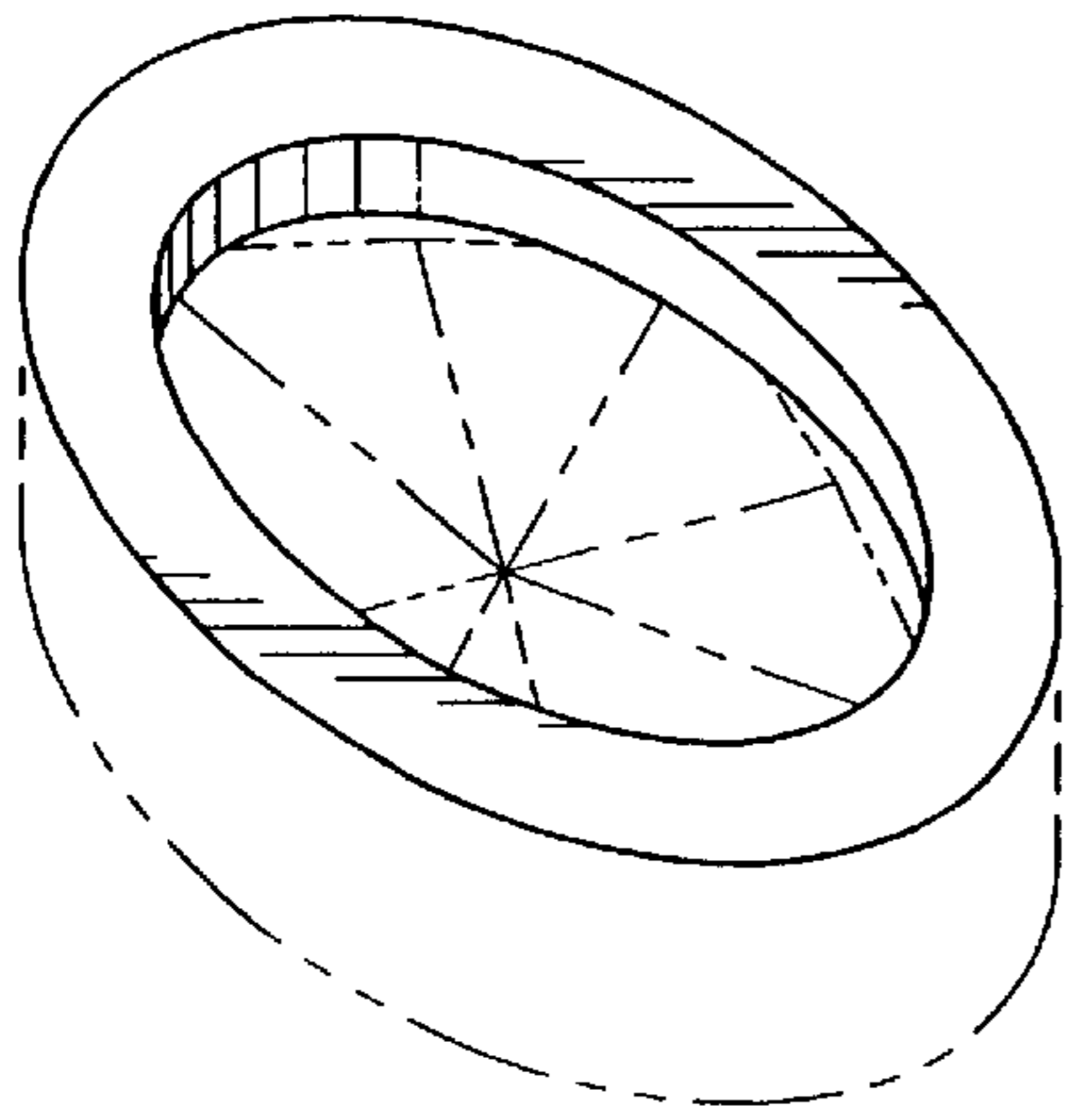


FIG. 25

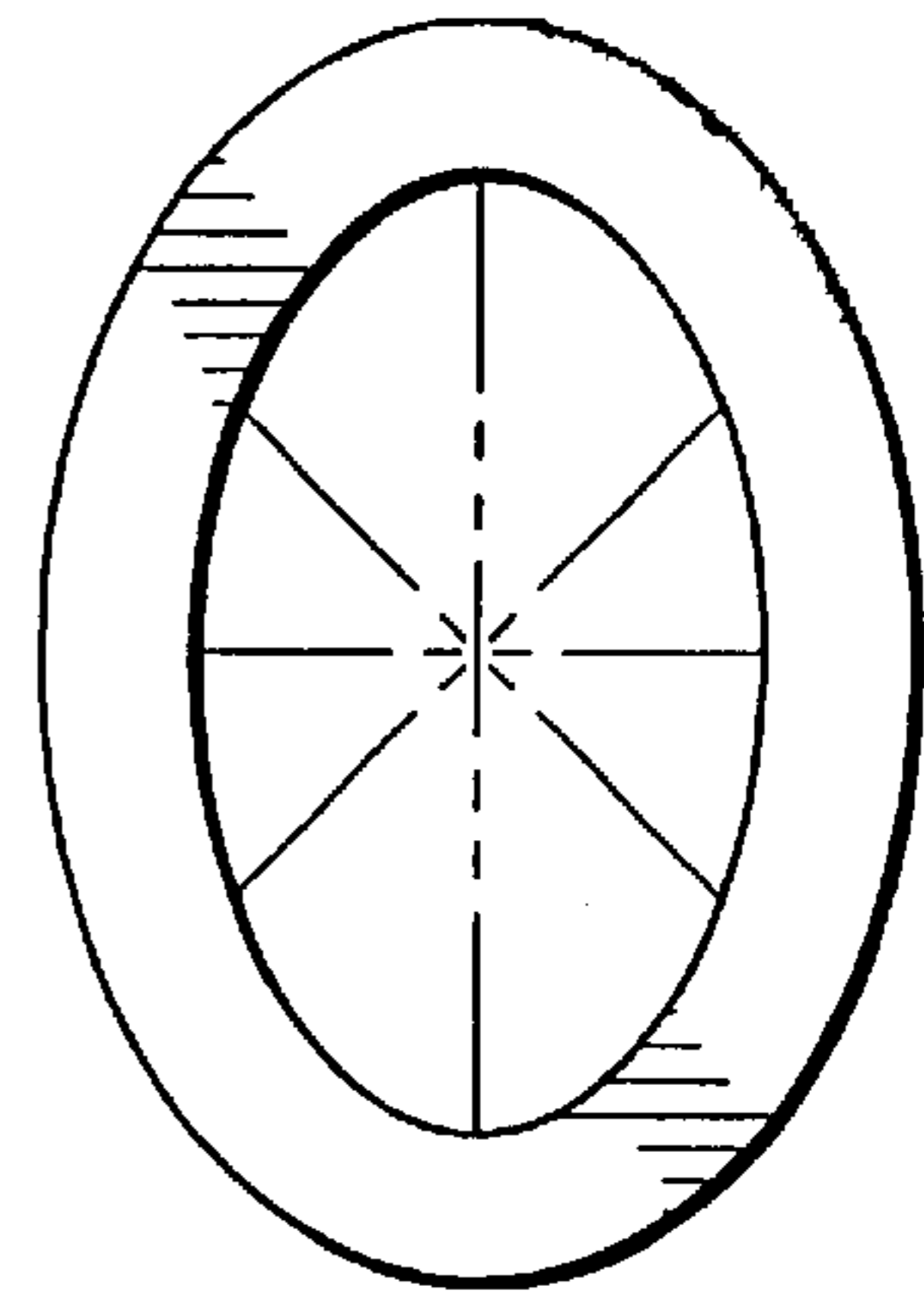


FIG. 26

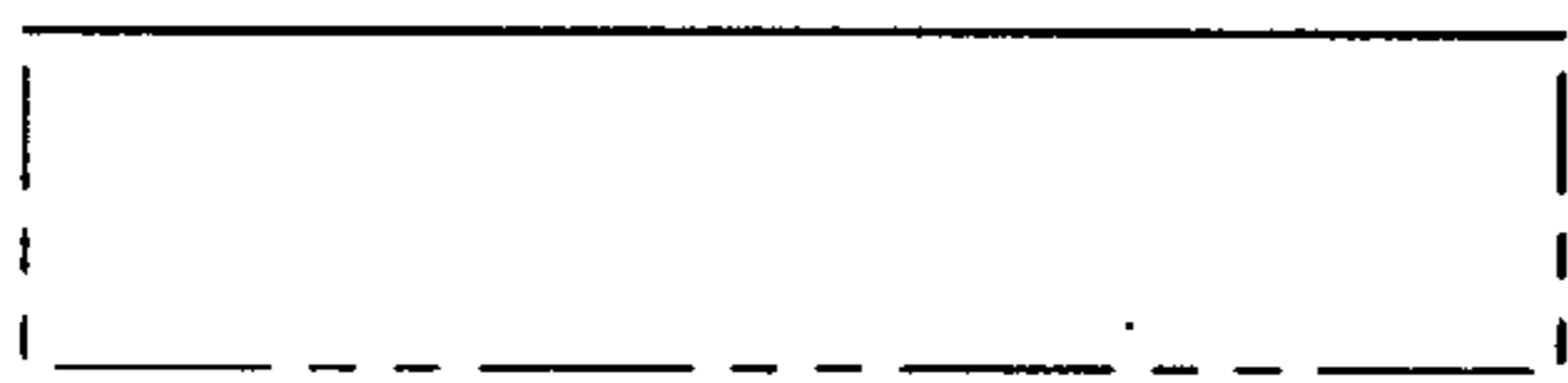


FIG. 27

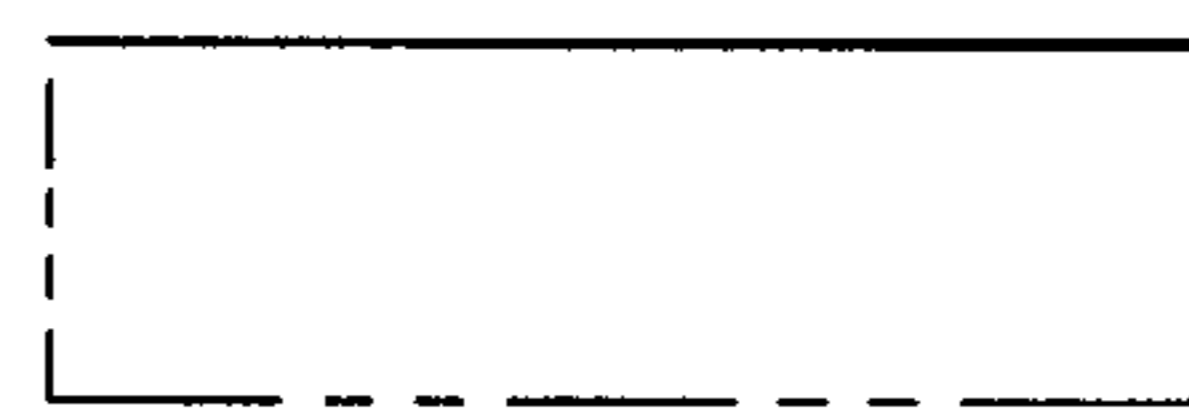


FIG. 28

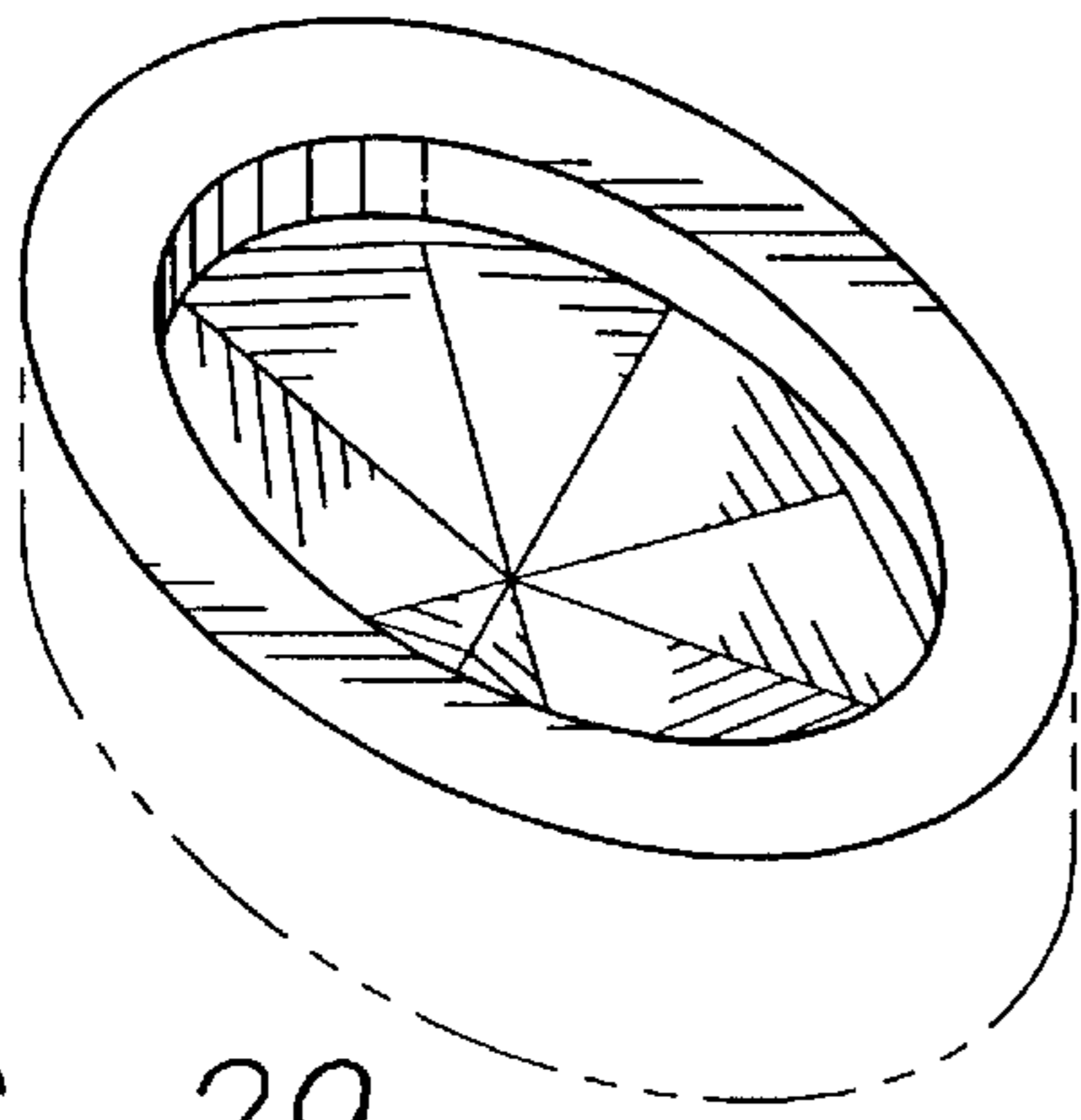


FIG. 29

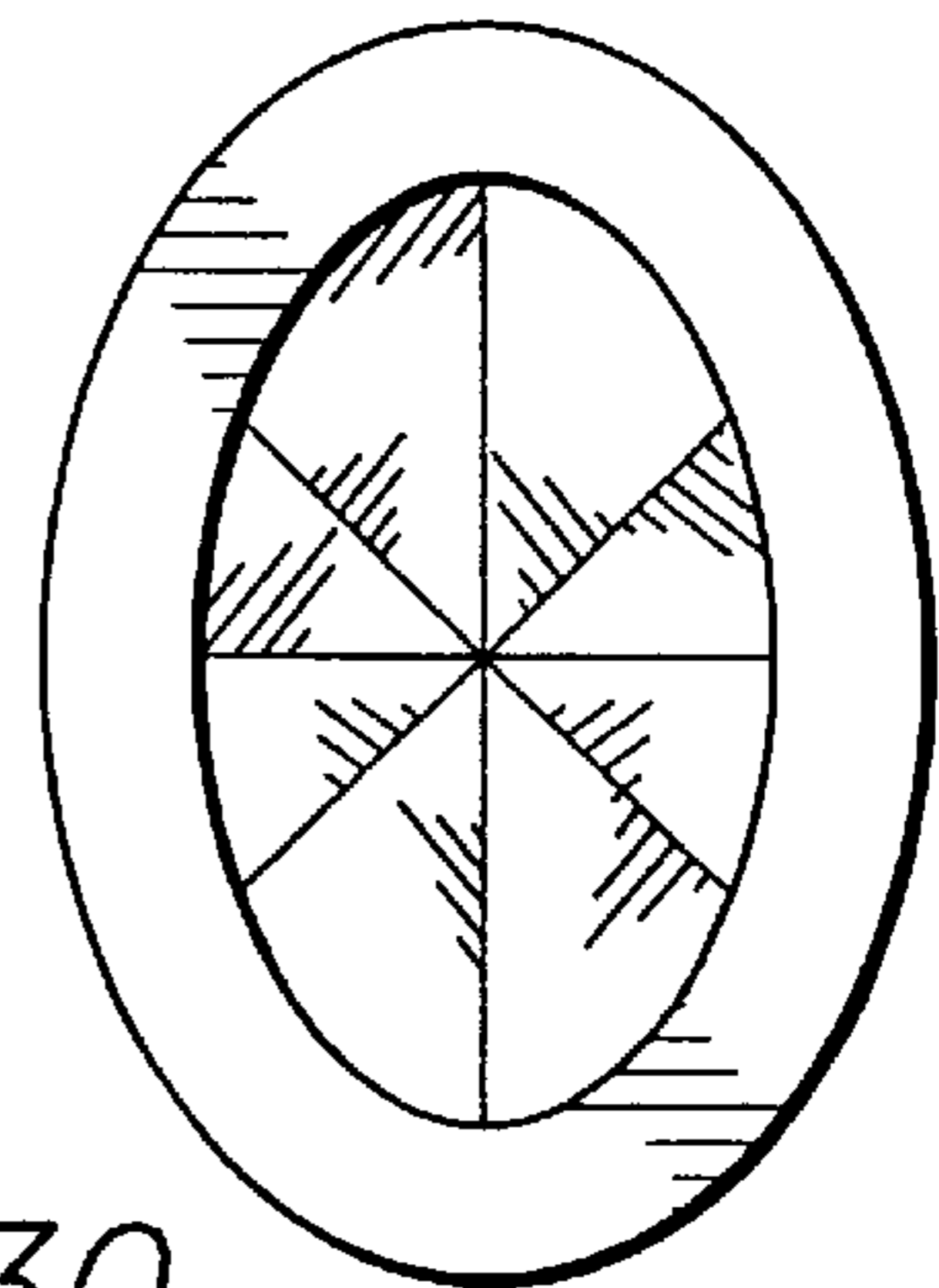


FIG. 30

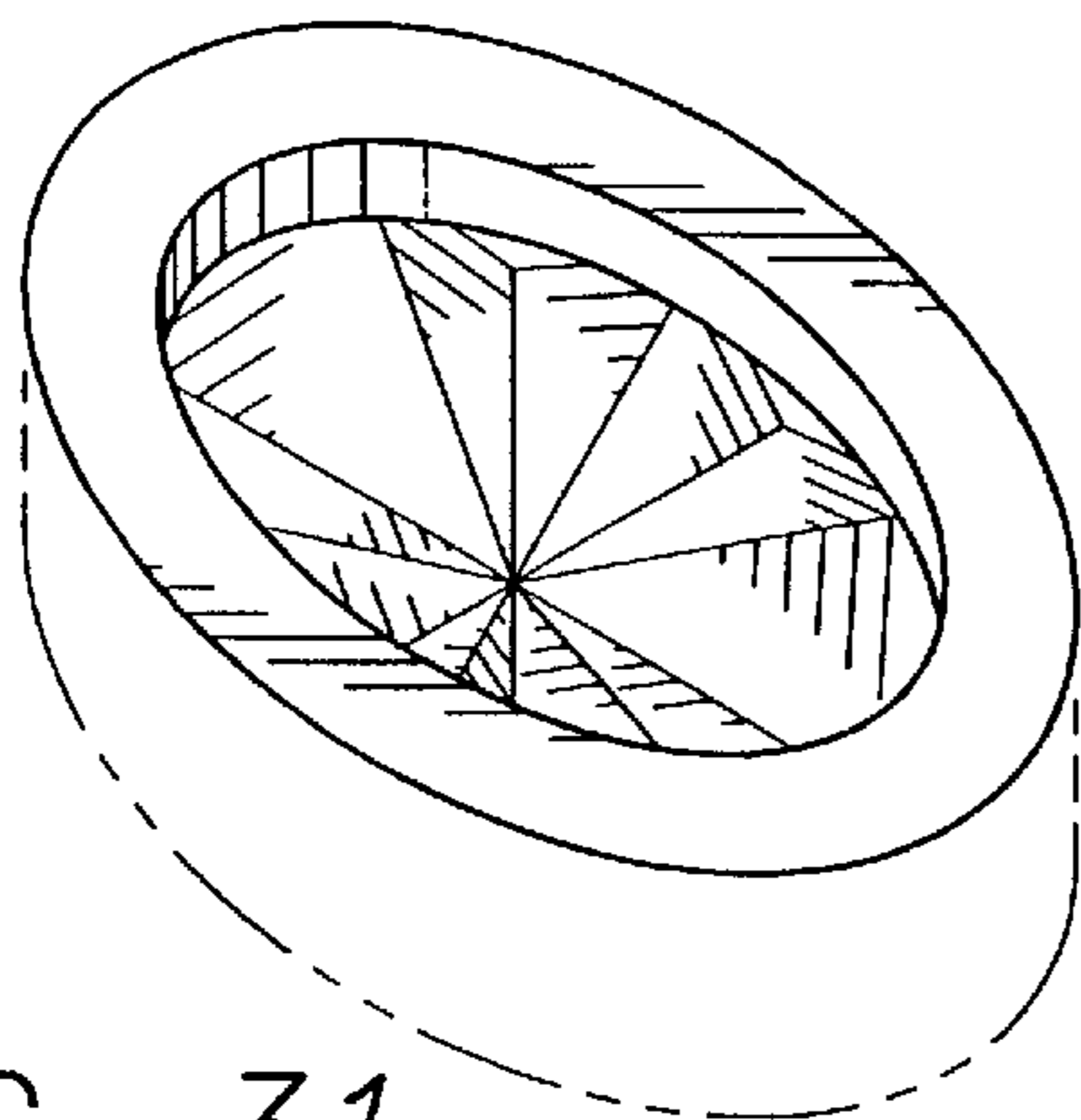


FIG. 31

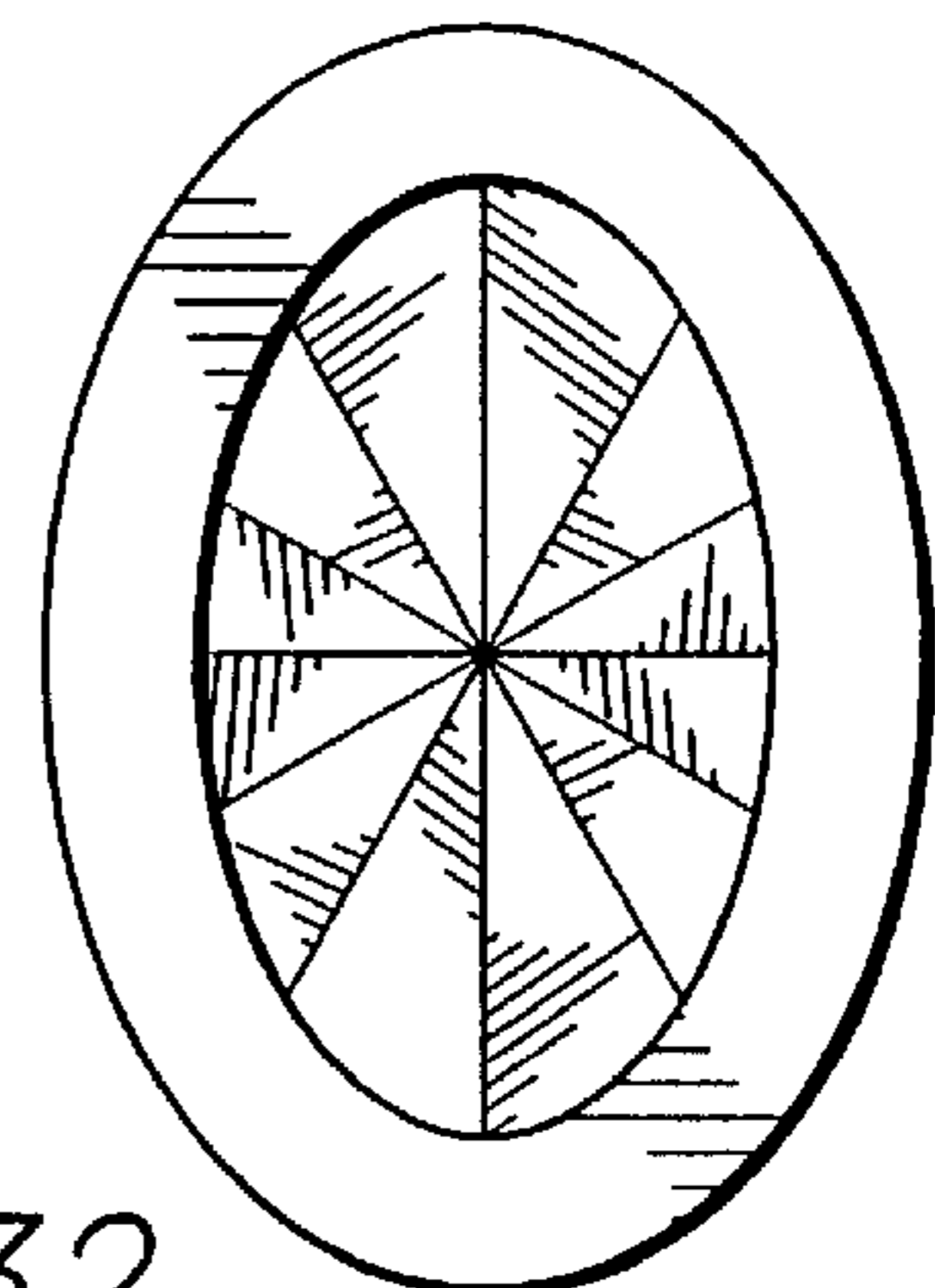


FIG. 32

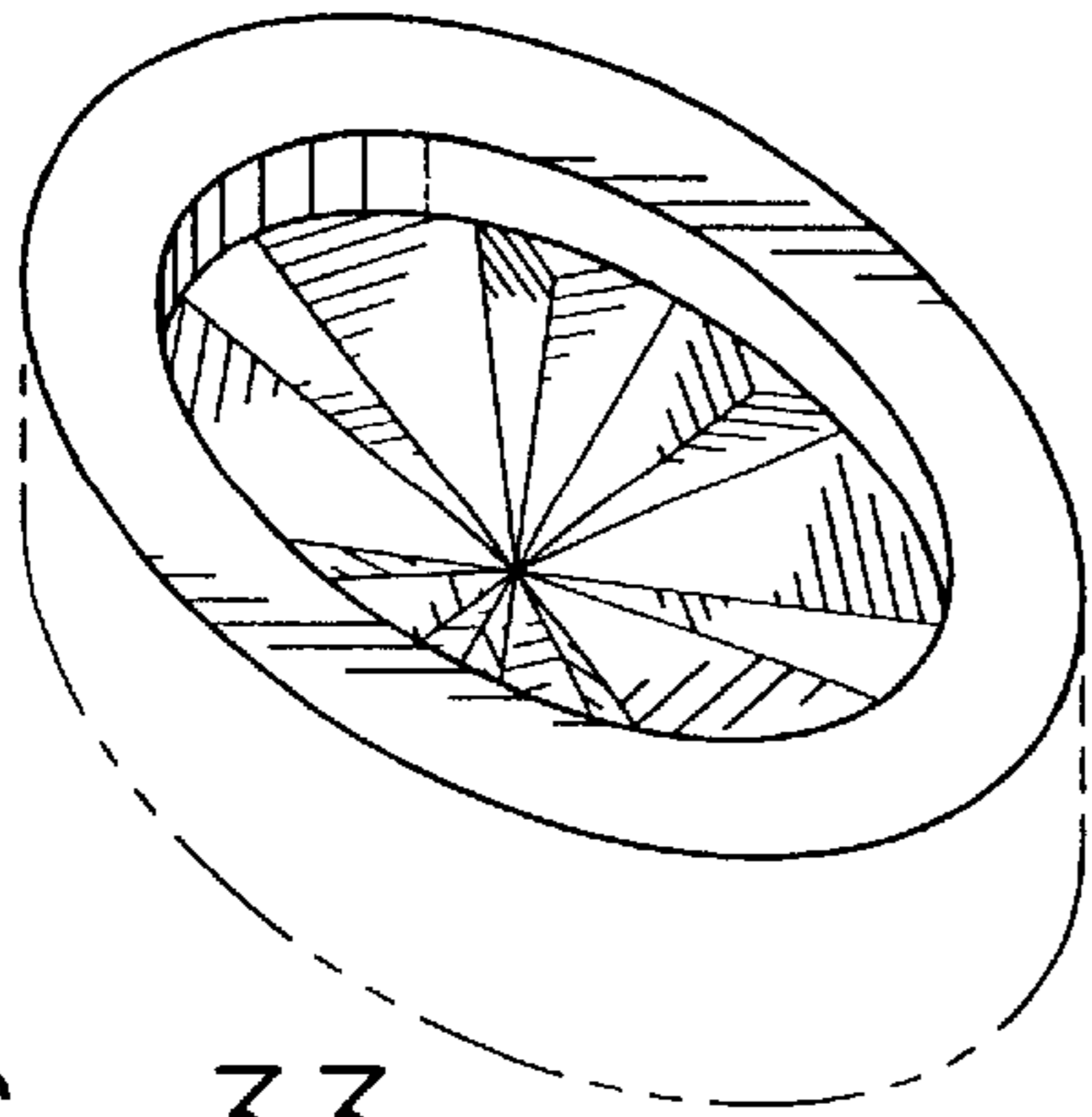


FIG. 33

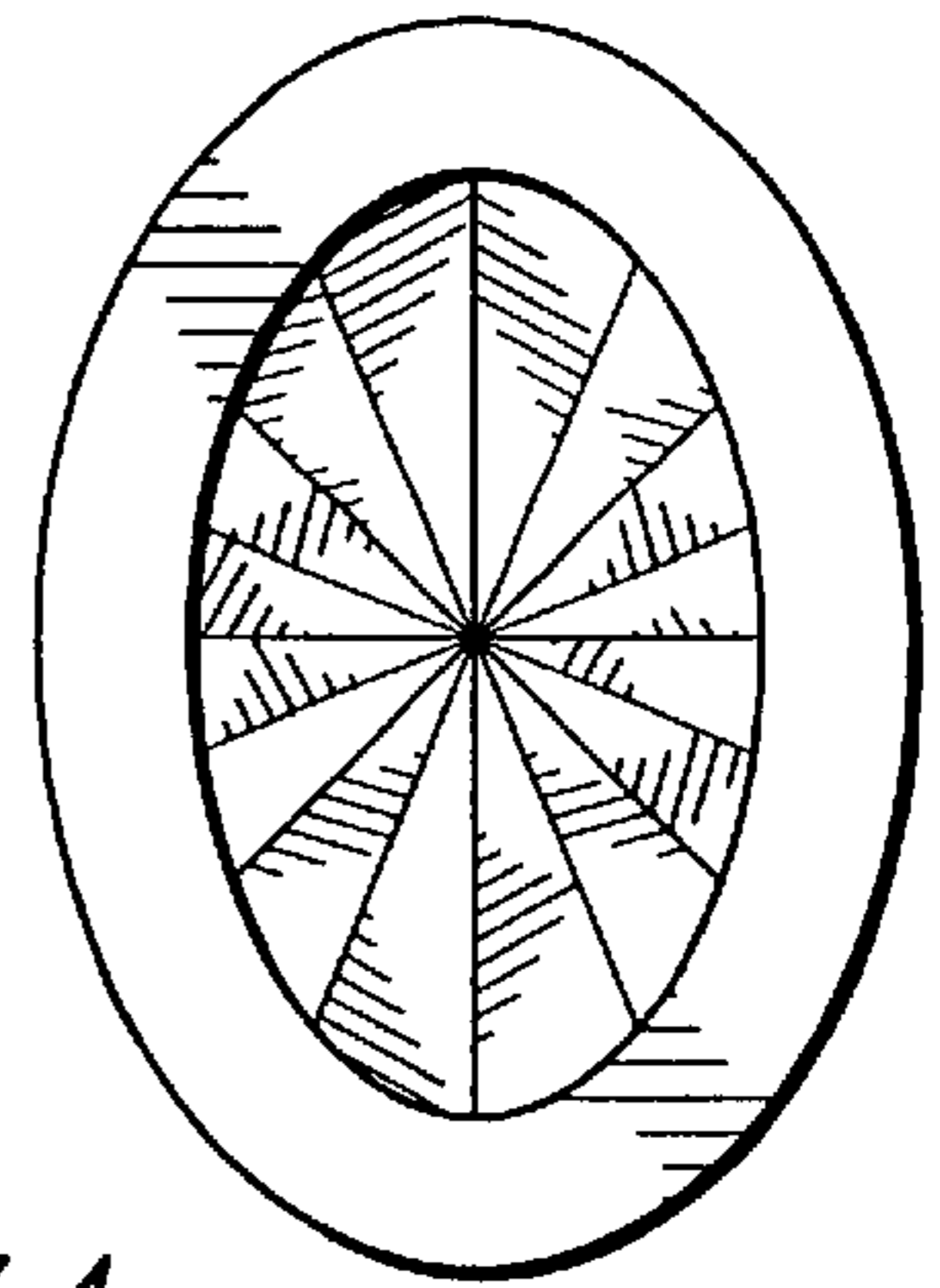


FIG. 34

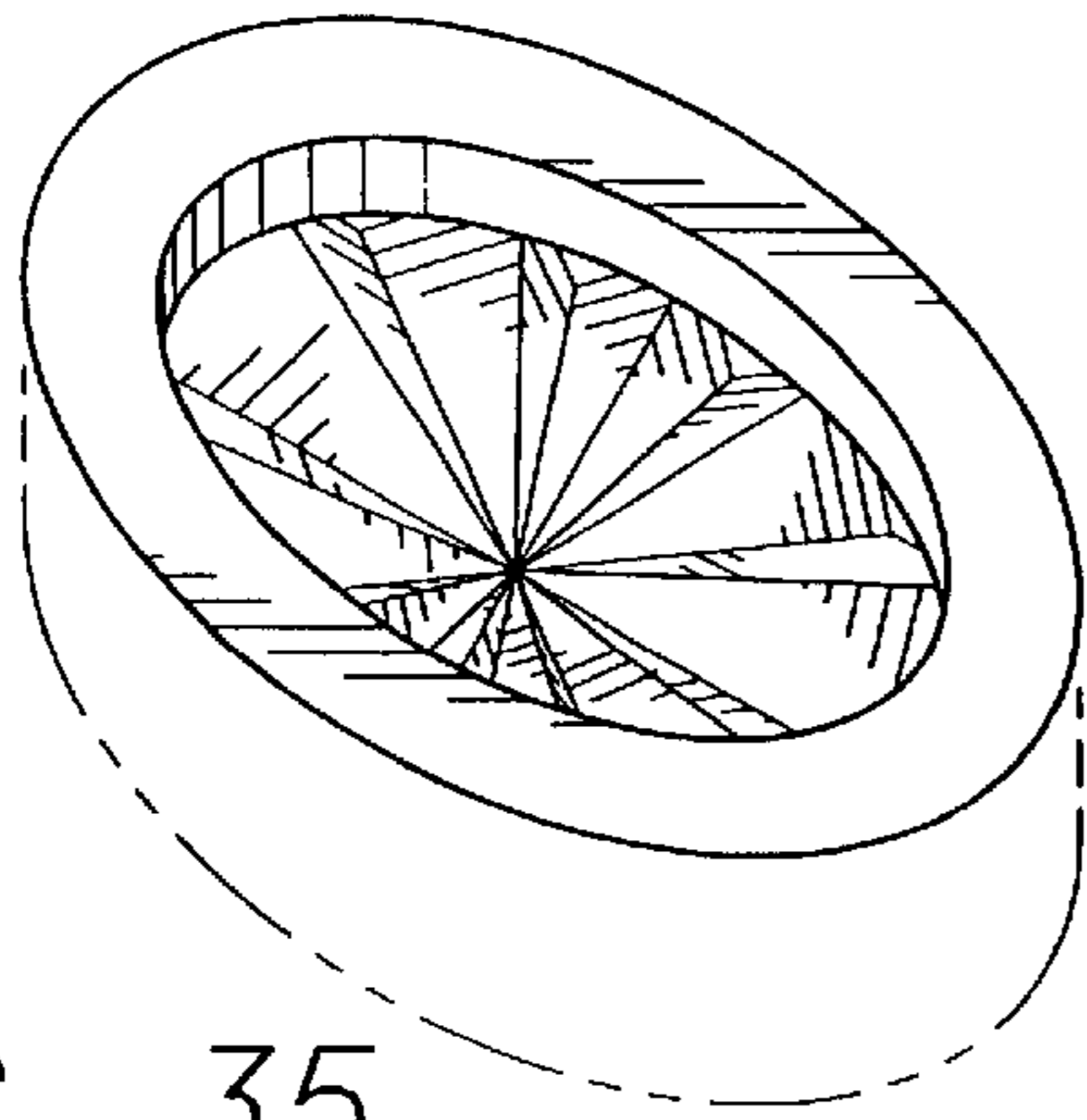


FIG. 35

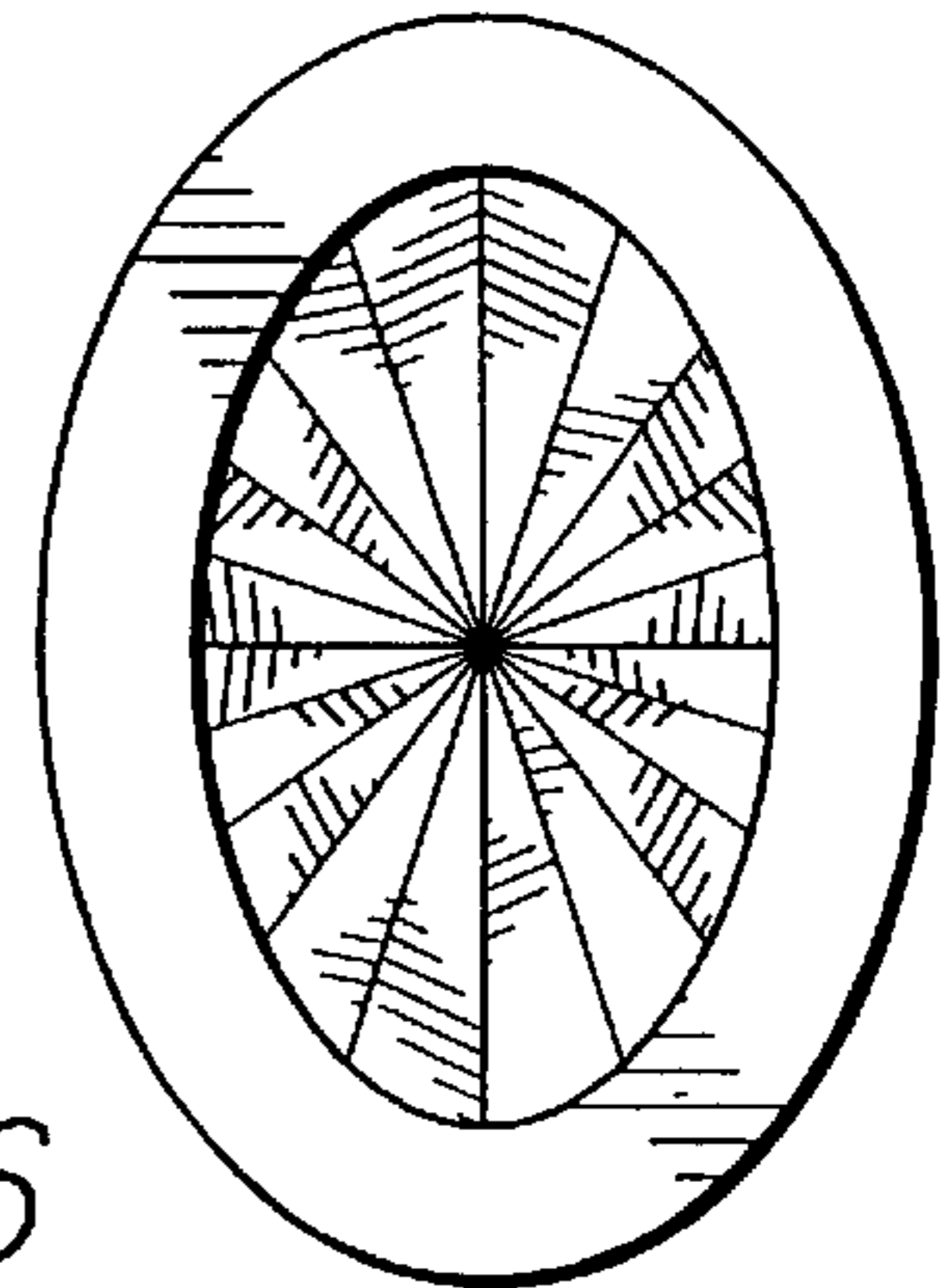


FIG. 36

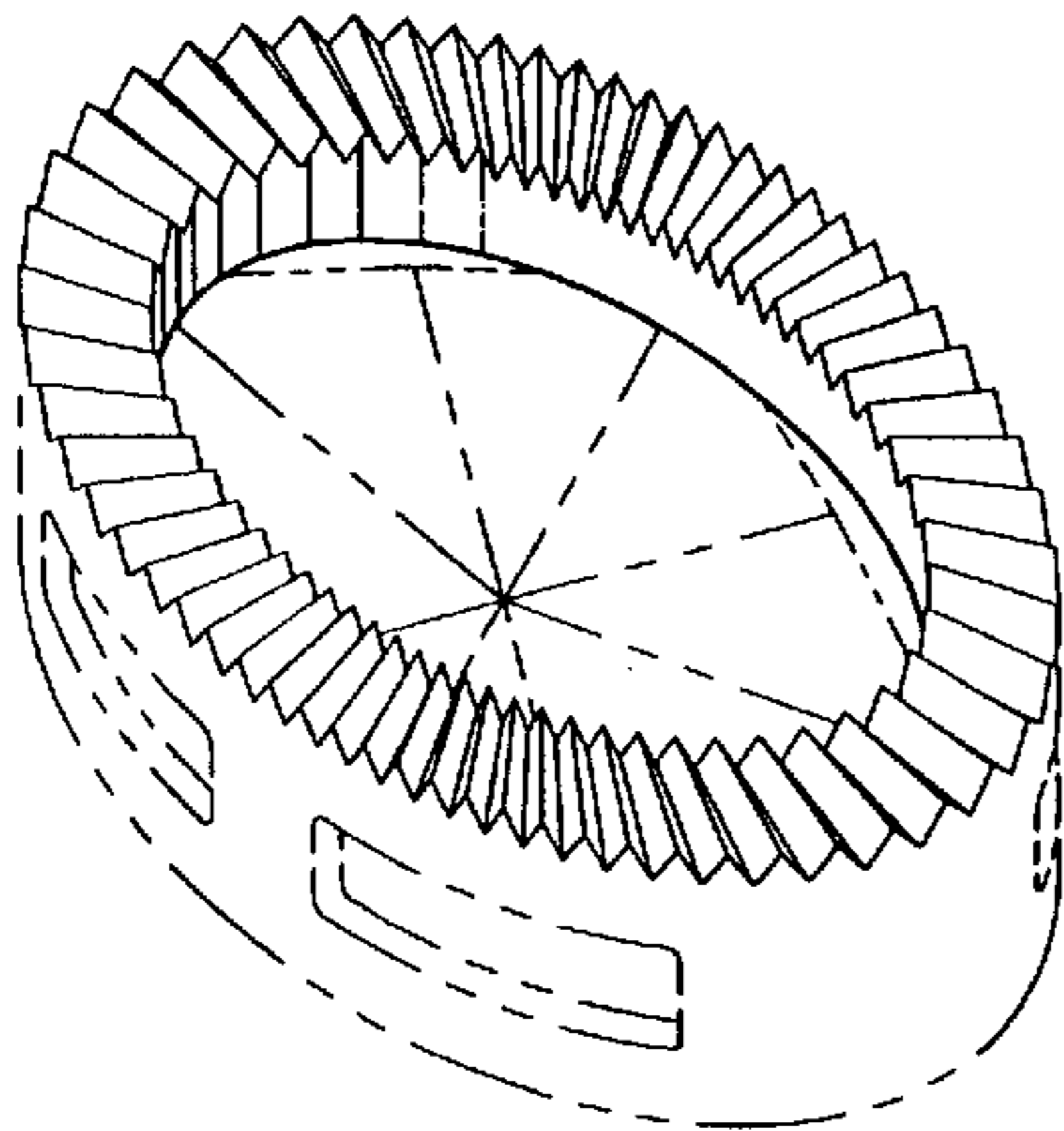


FIG. 37

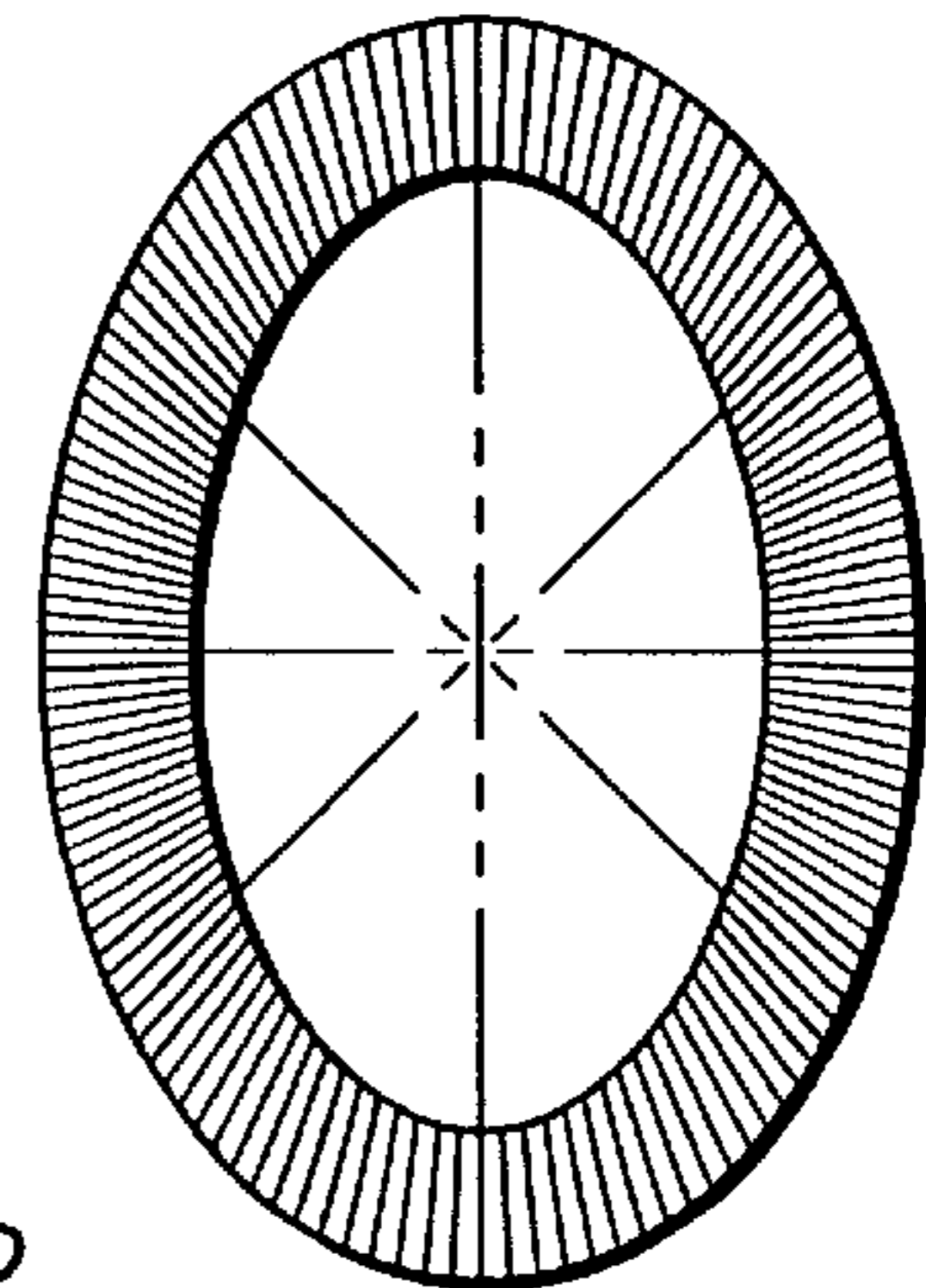


FIG. 38

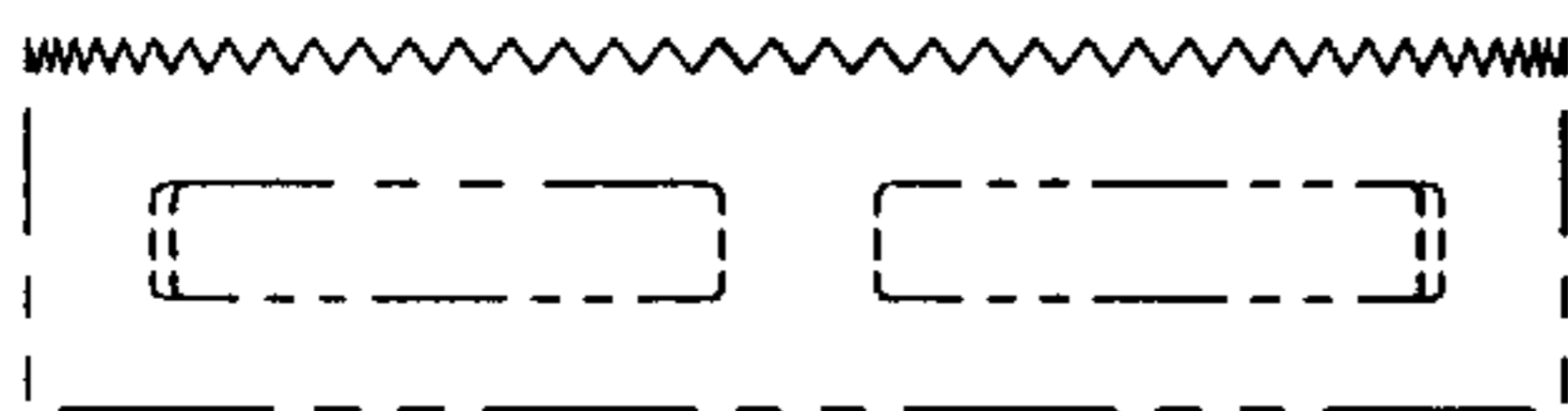


FIG. 39



FIG. 40



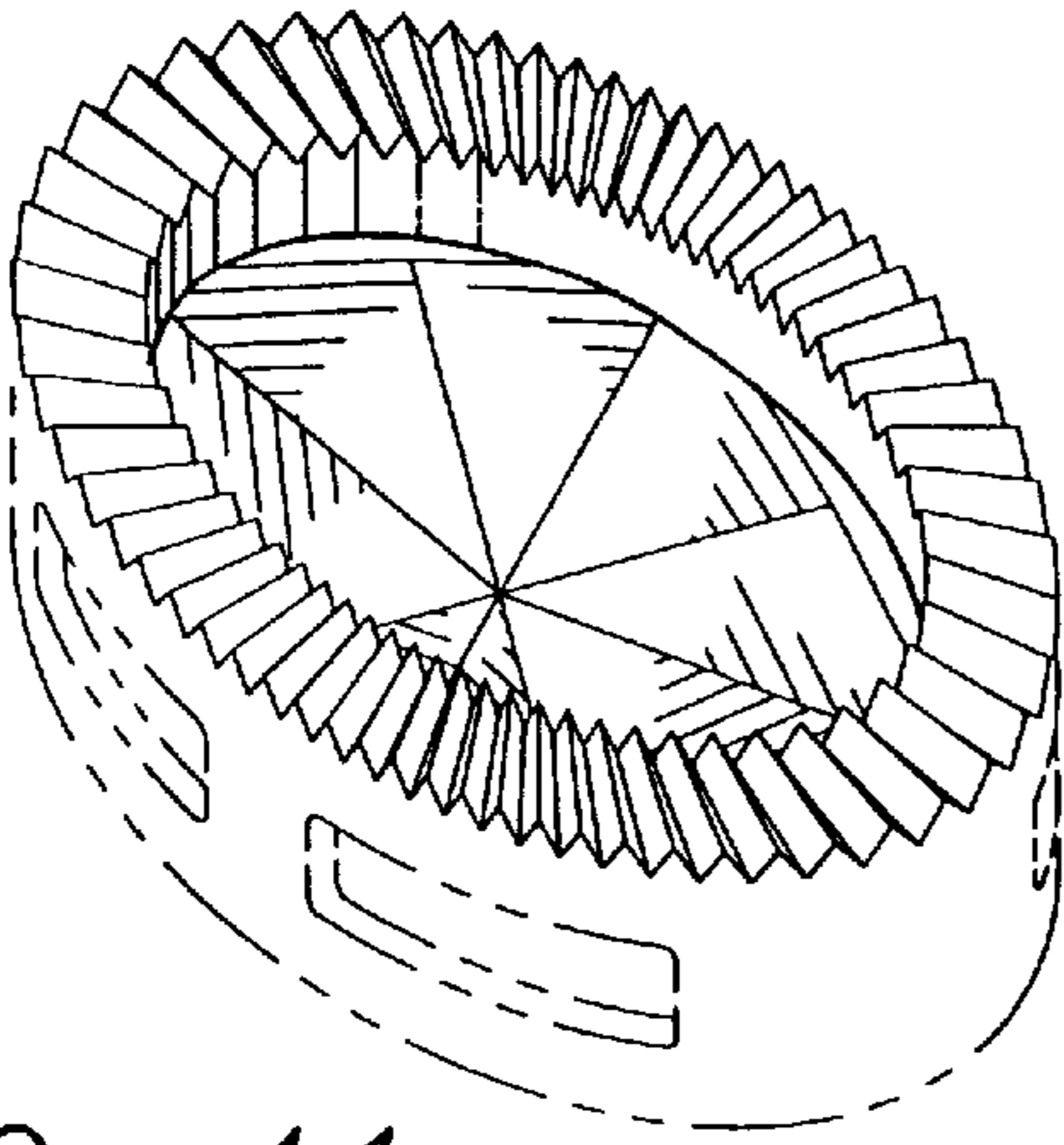


FIG. 41

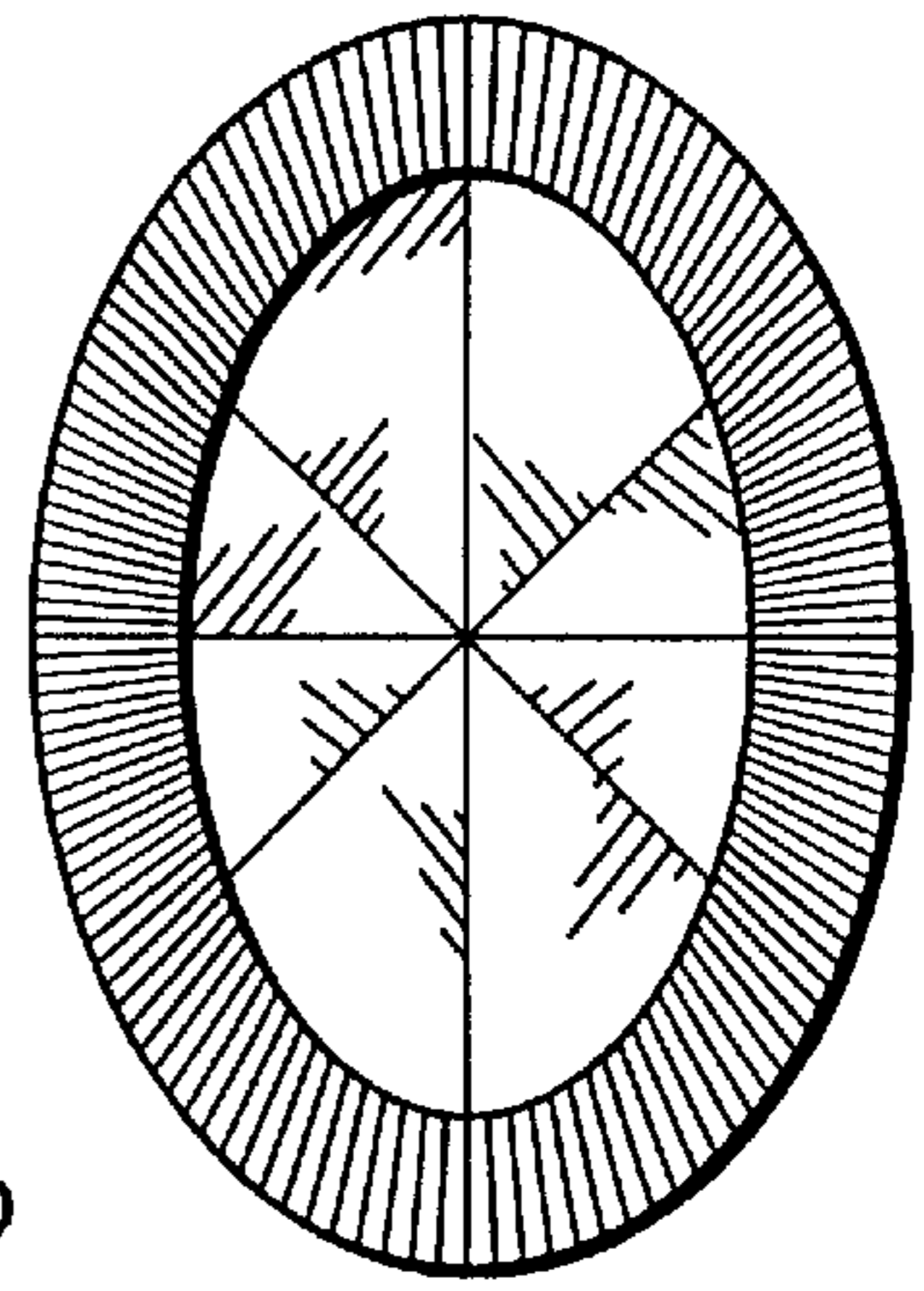


FIG. 42

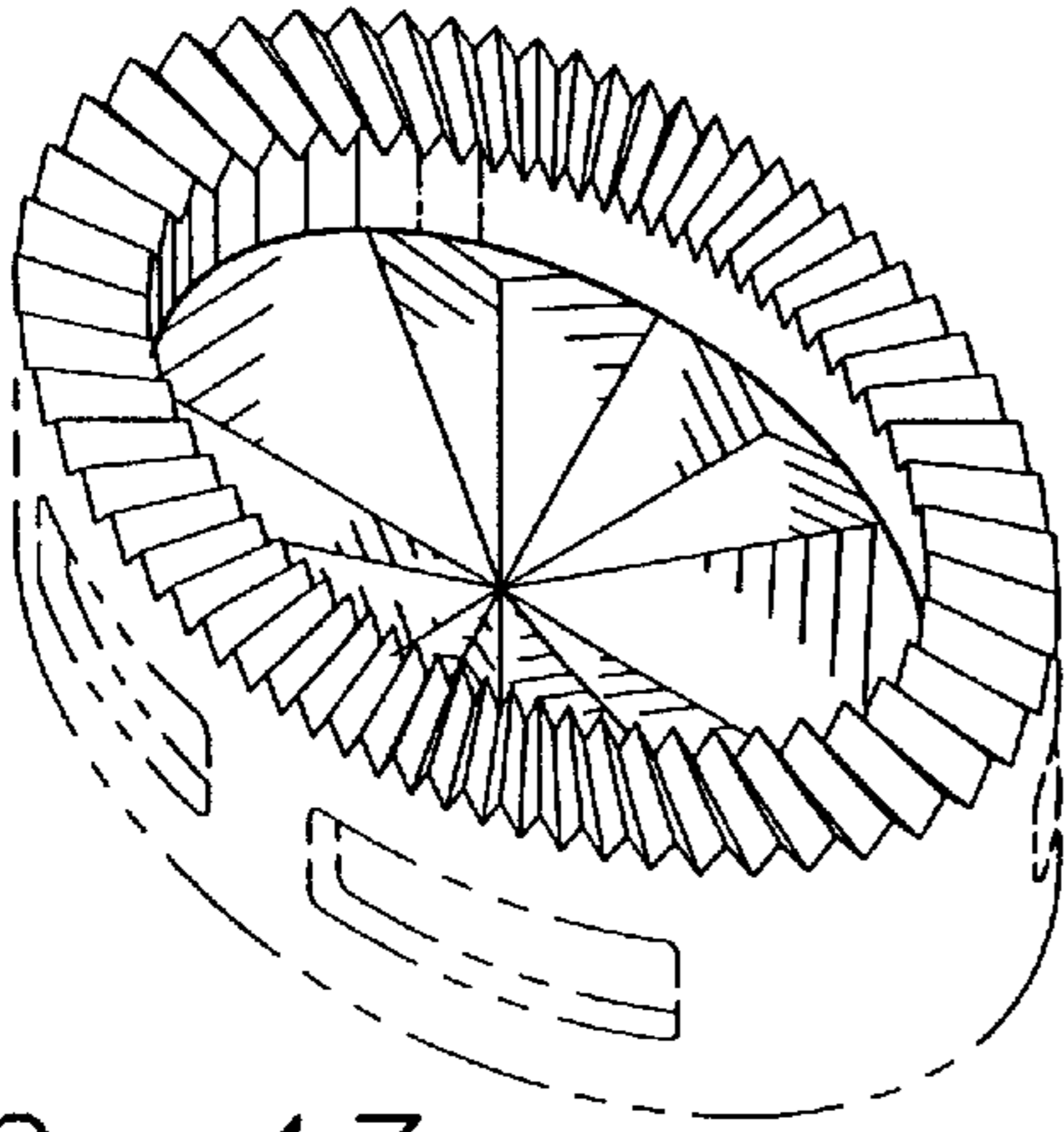


FIG. 43

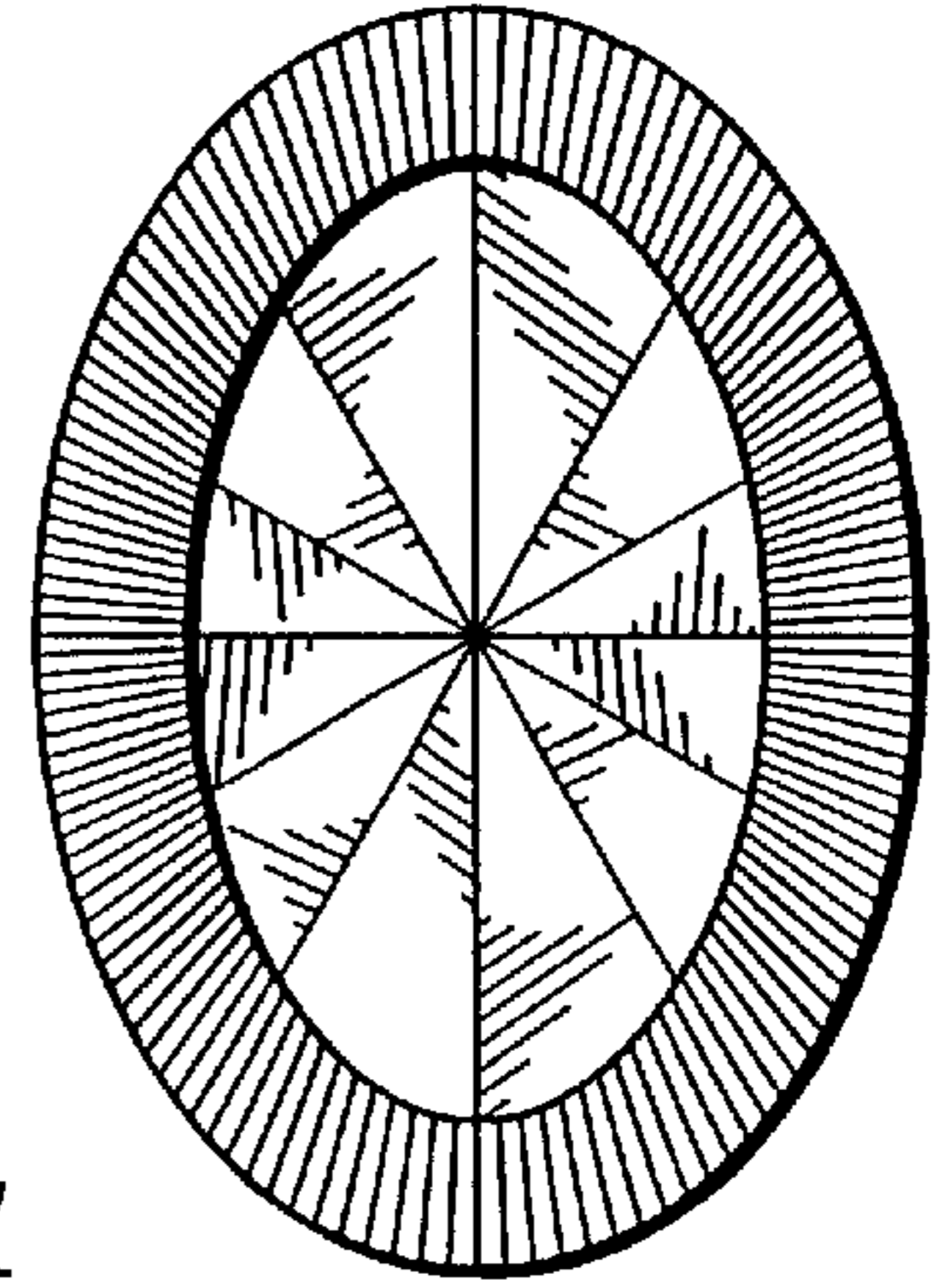


FIG. 44

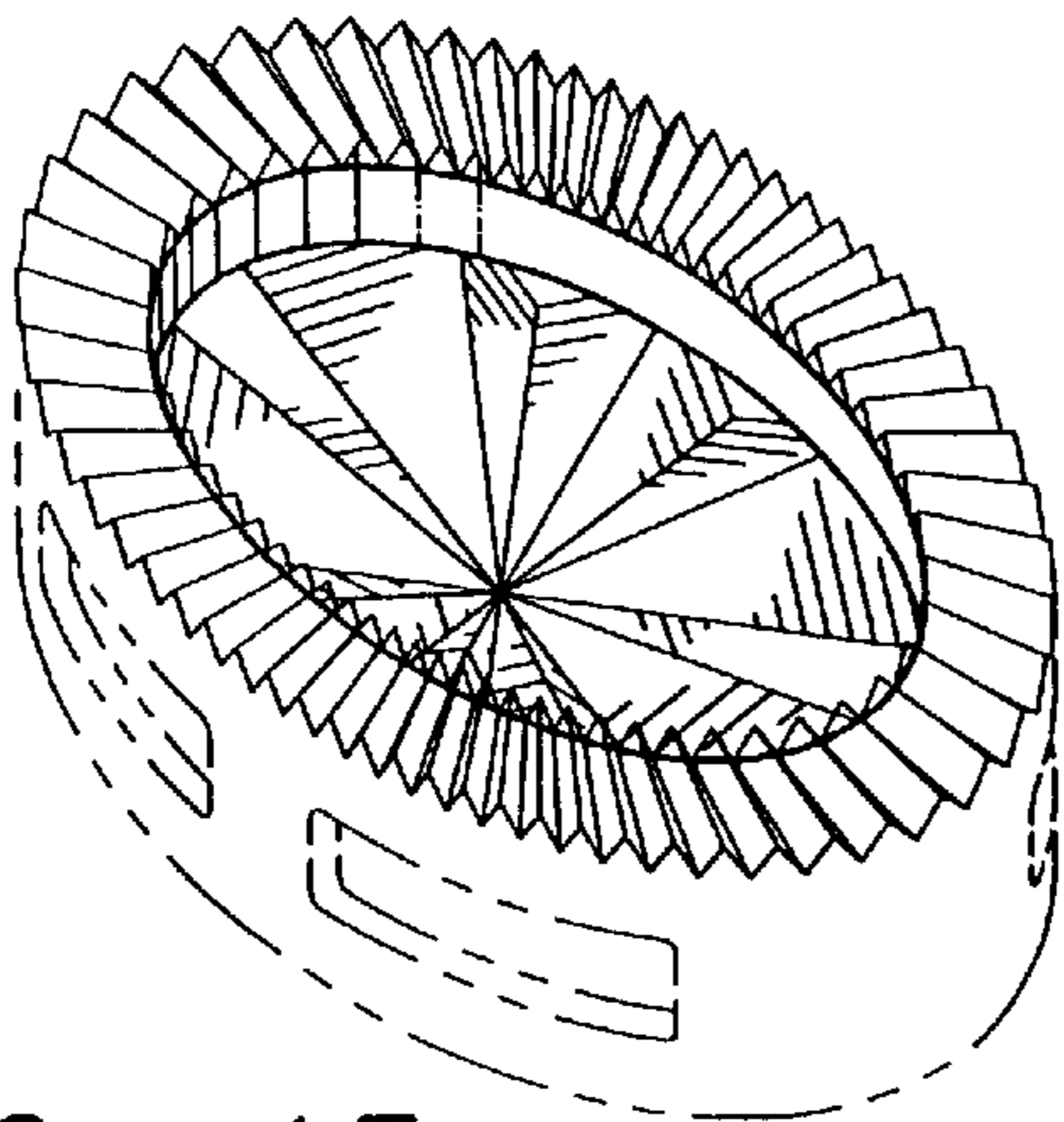


FIG. 45

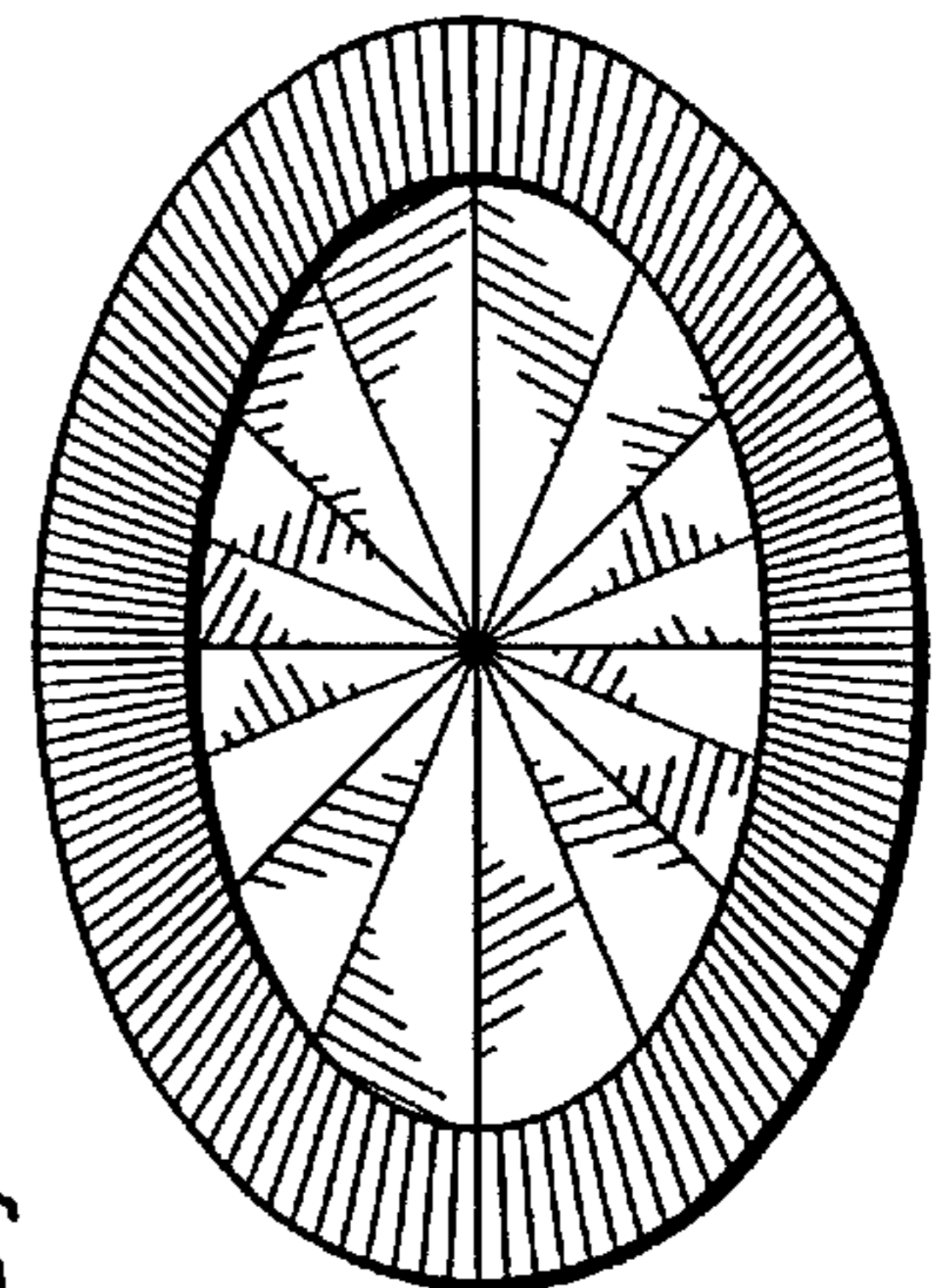


FIG. 46

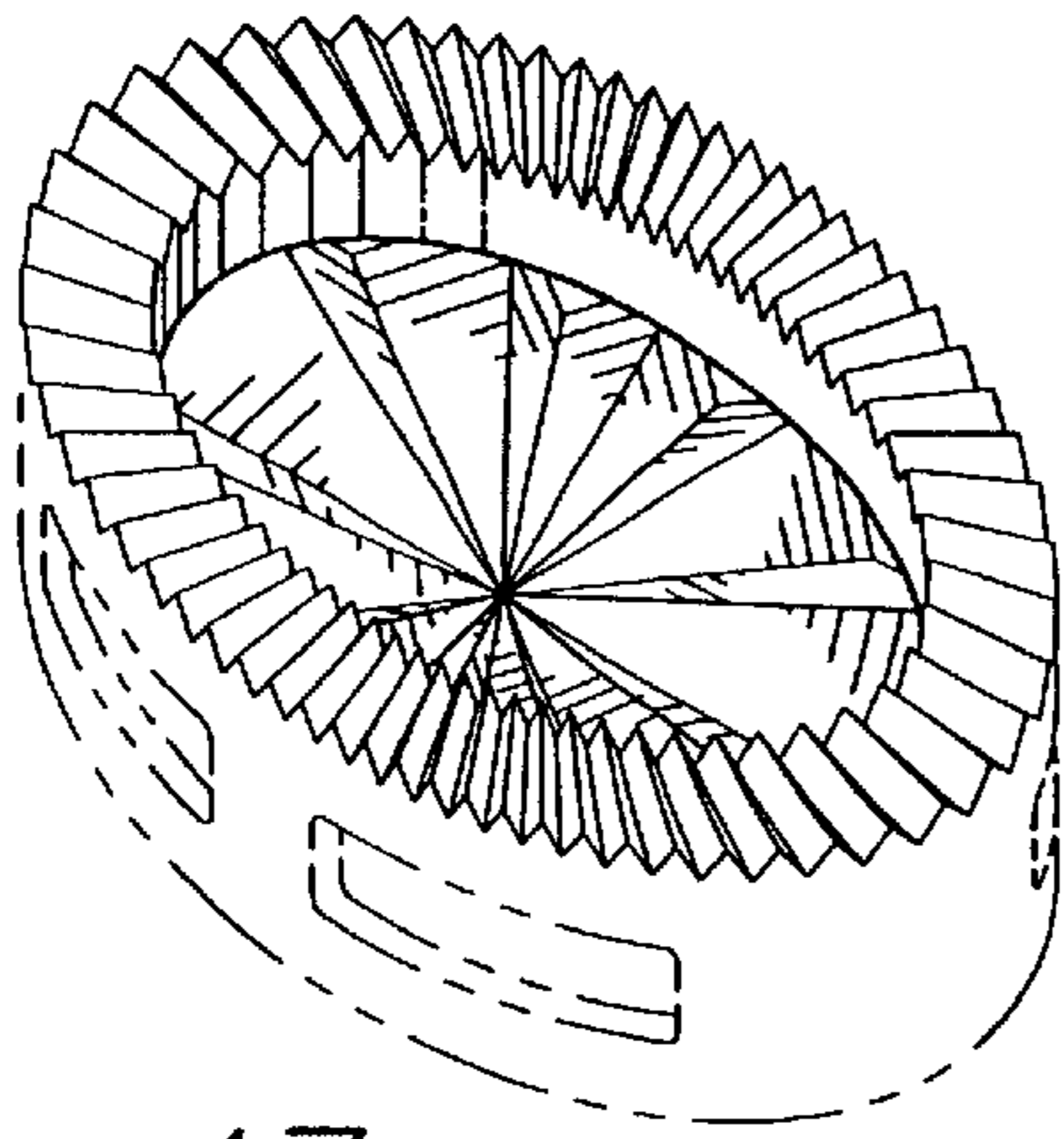


FIG. 47

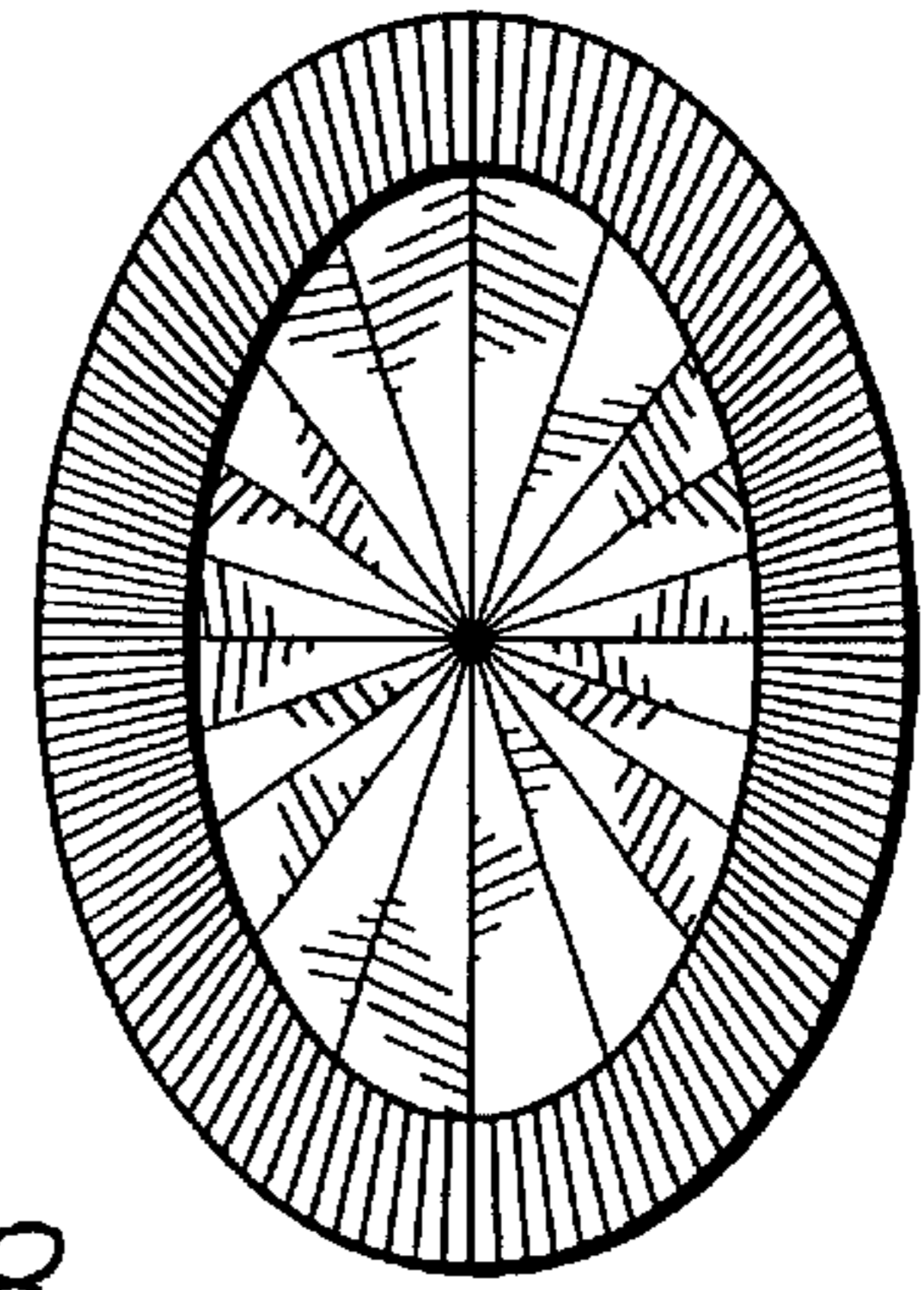


FIG. 48

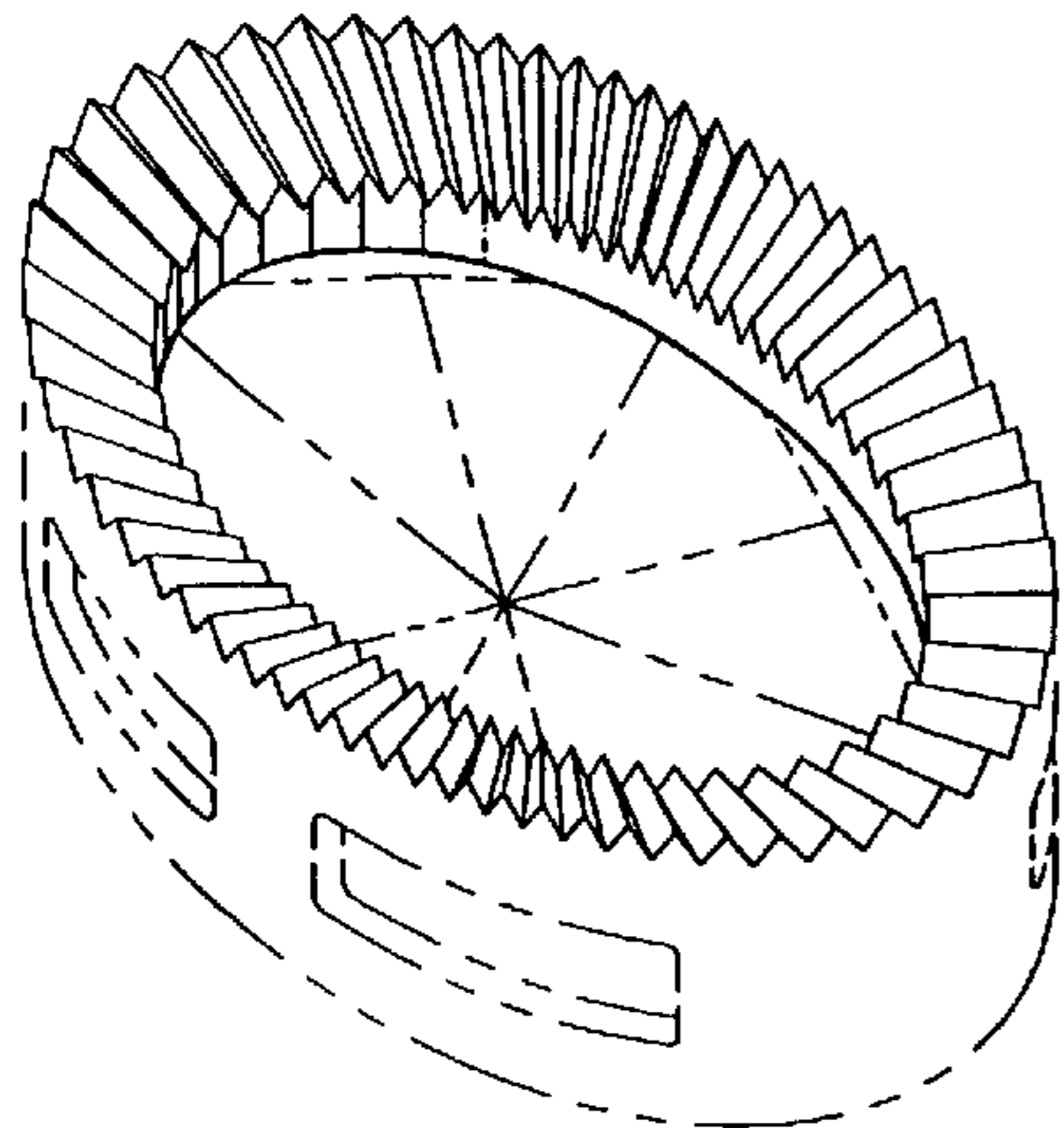


FIG. 49

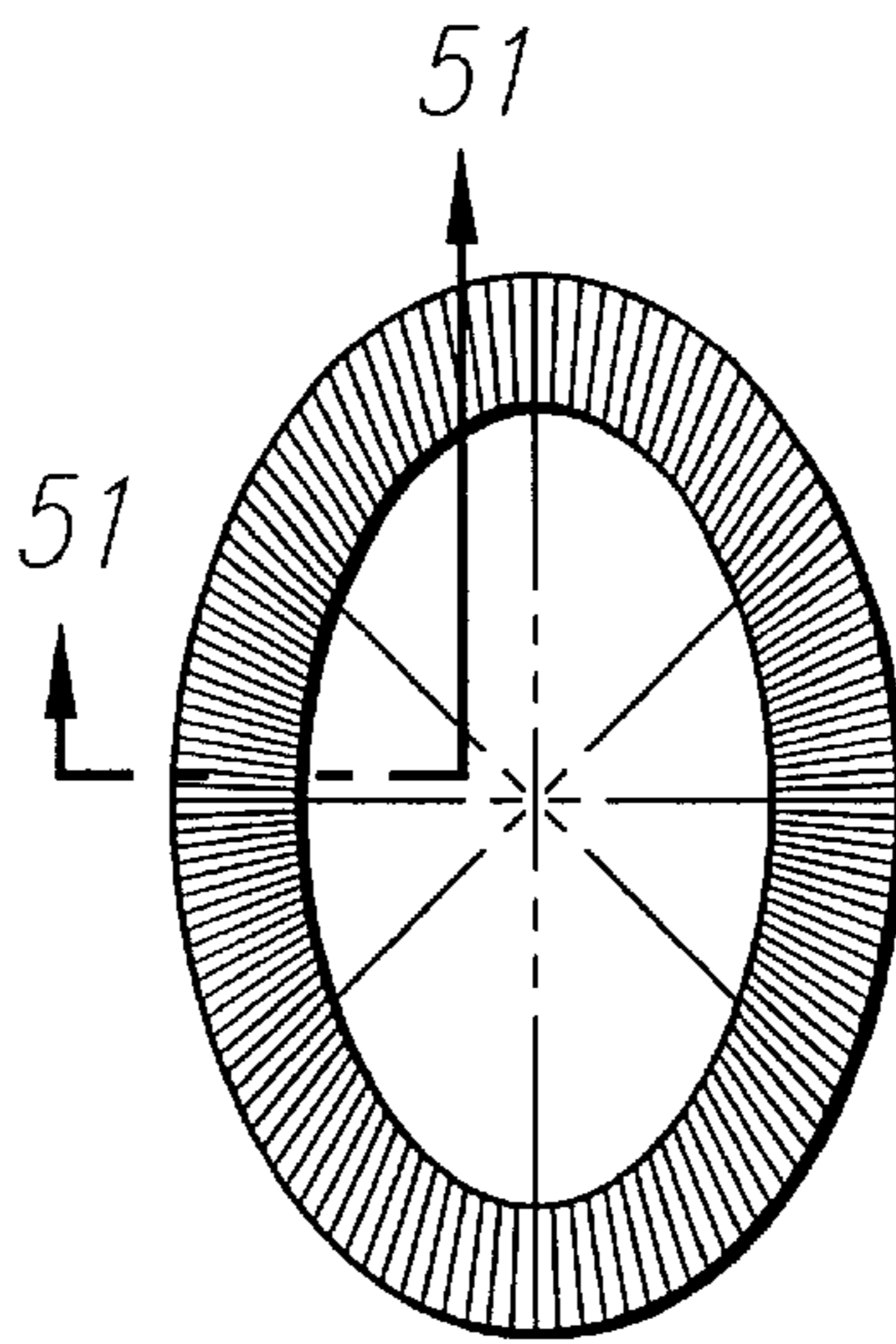


FIG. 50

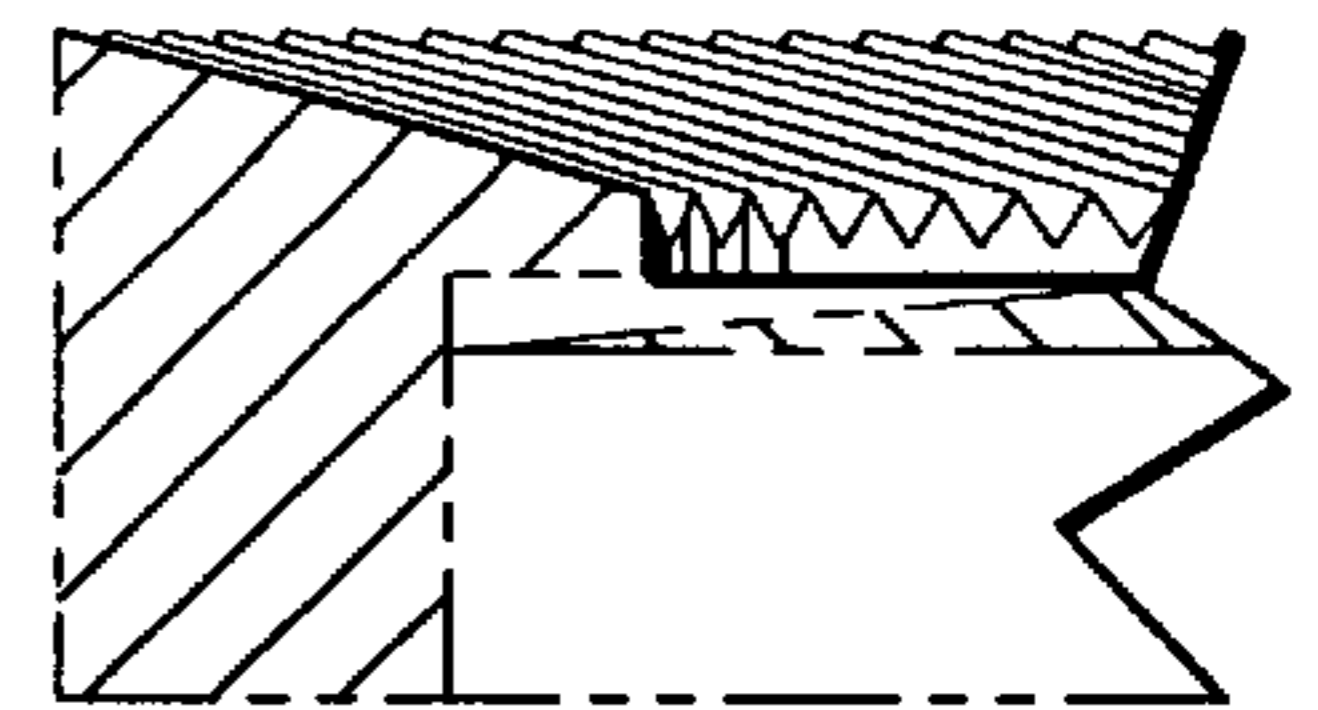


FIG. 51

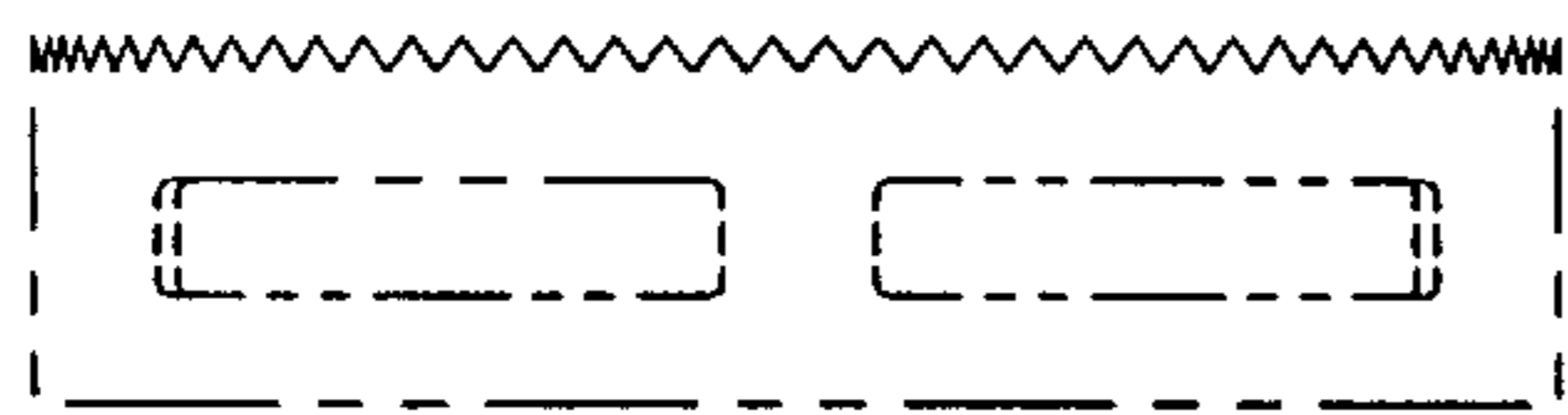


FIG. 52

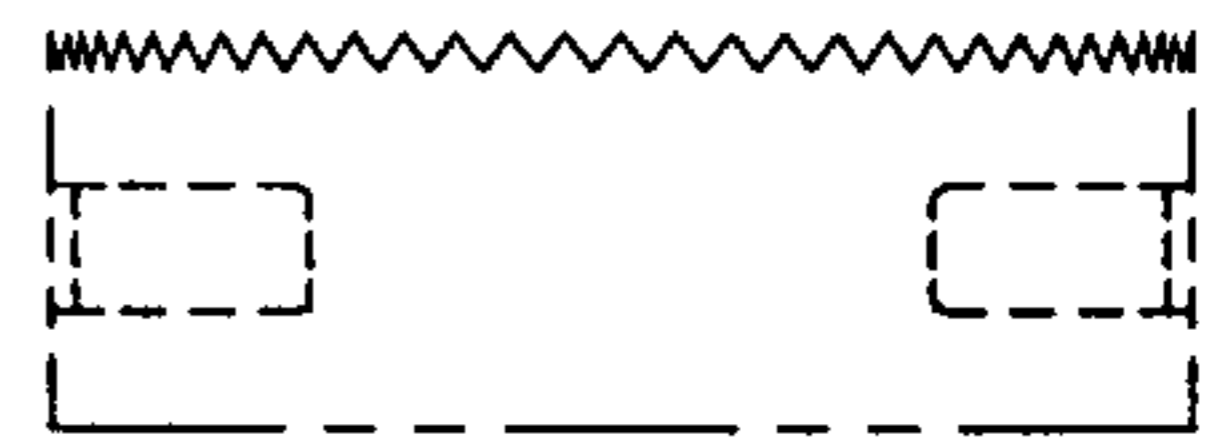


FIG. 53

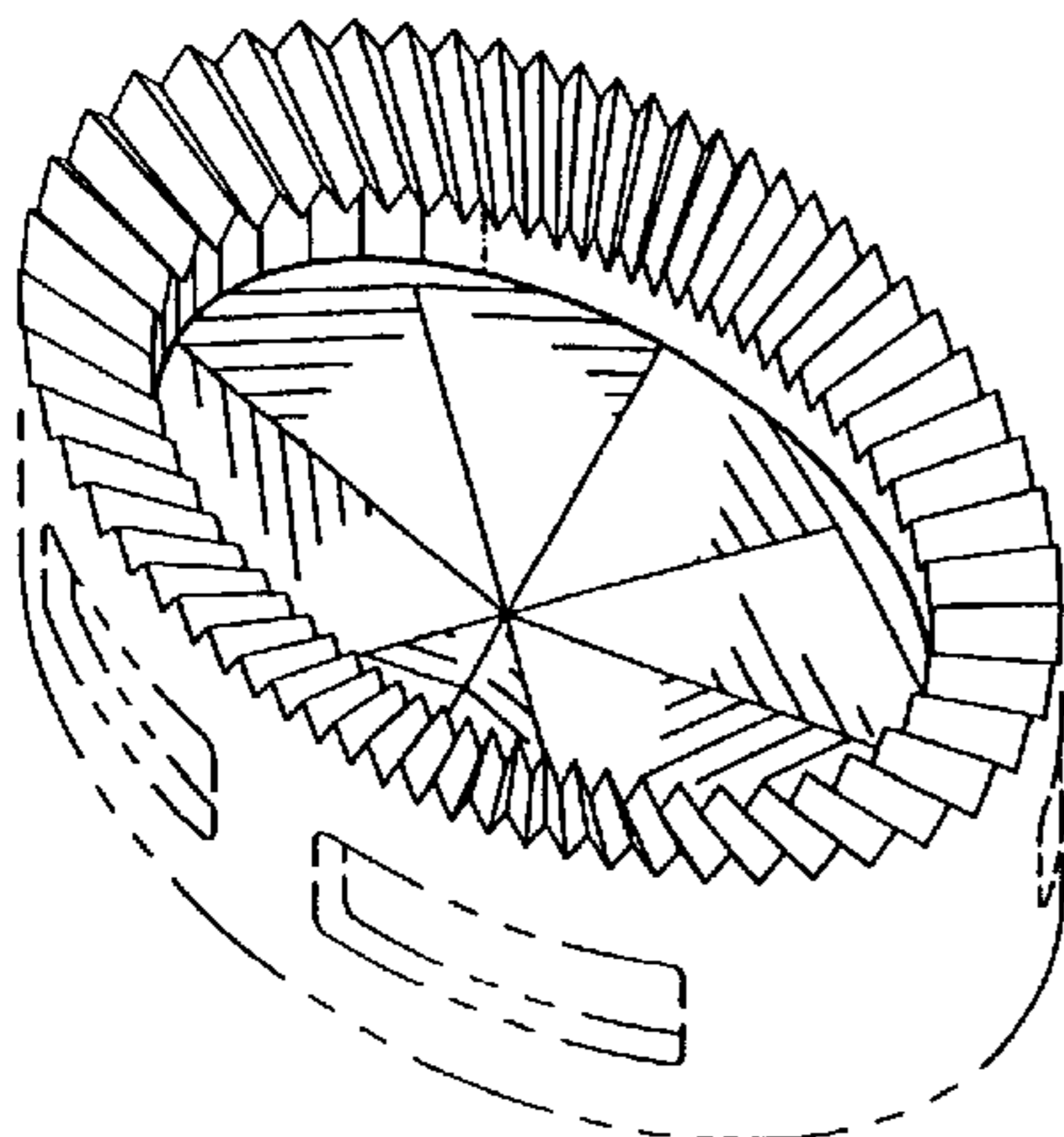


FIG. 54

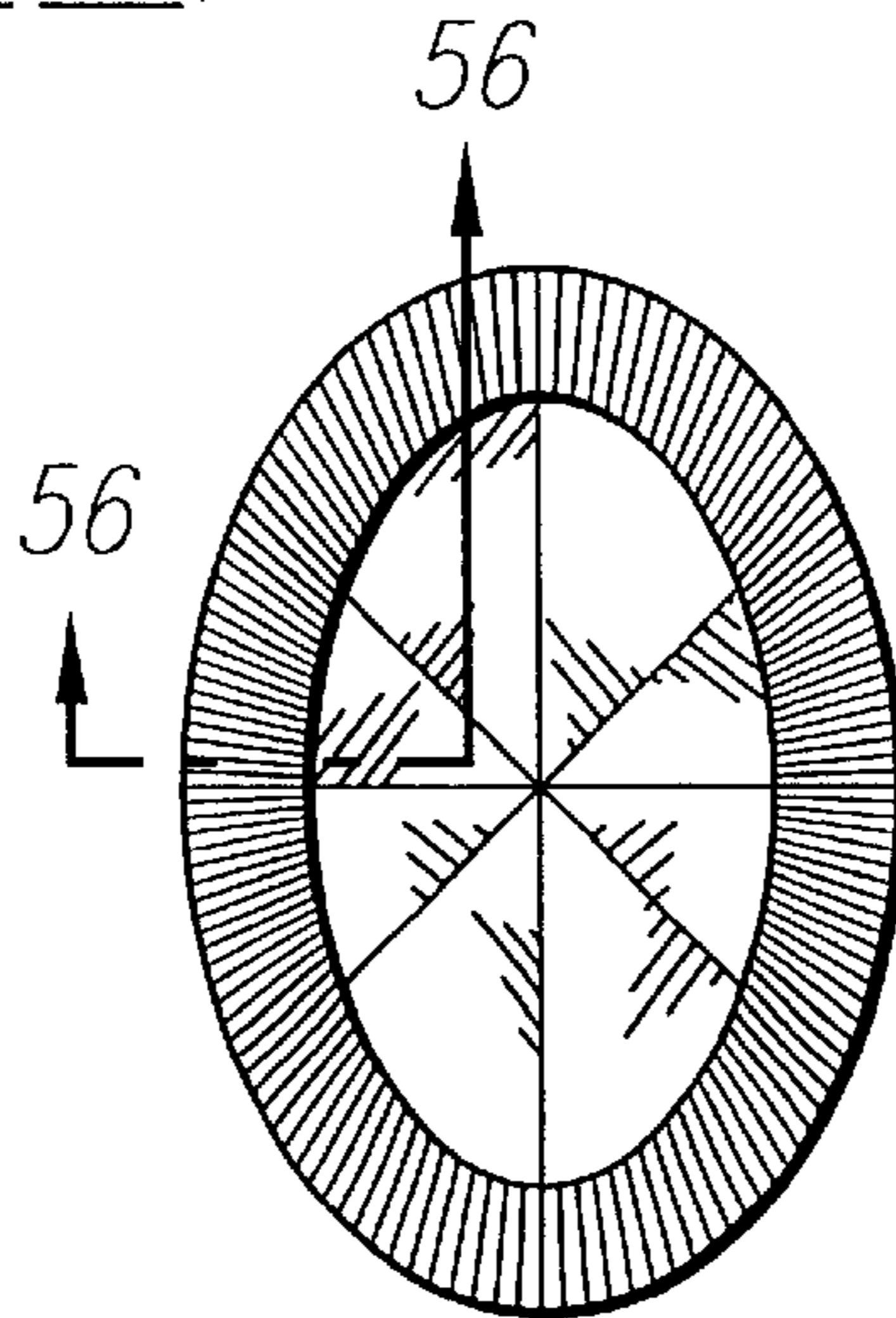


FIG. 55

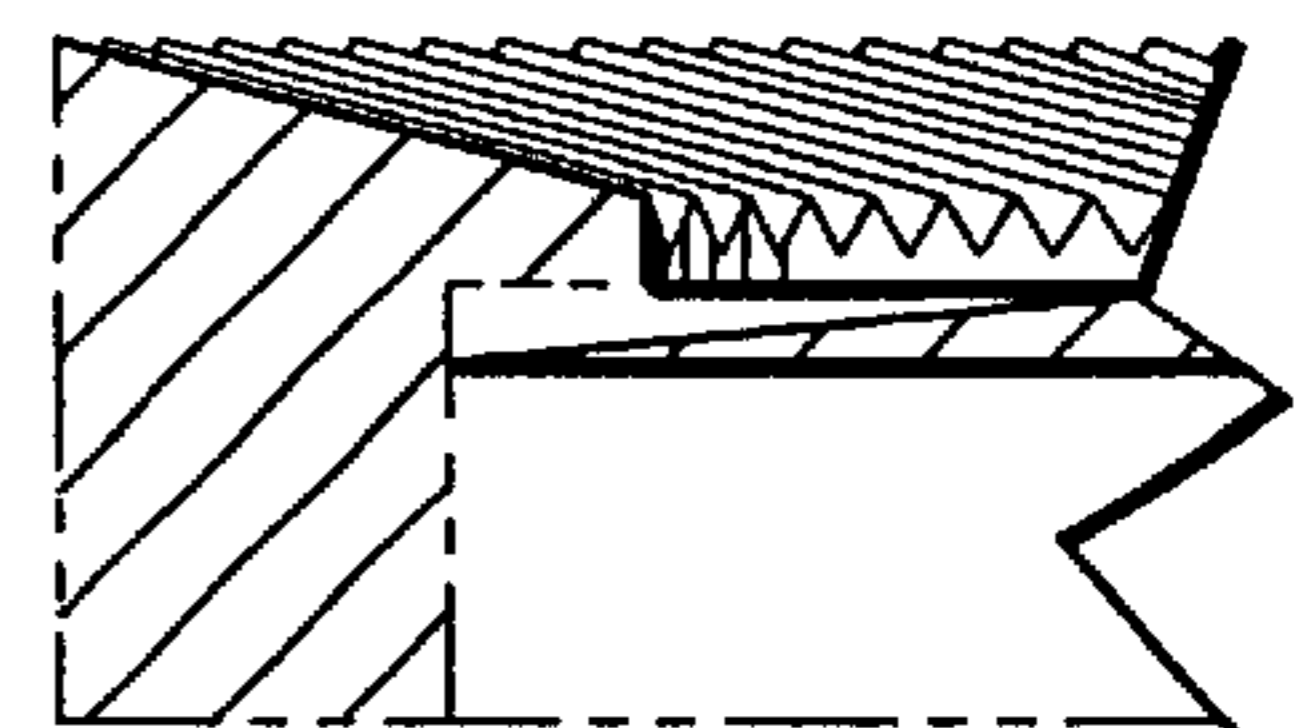


FIG. 56

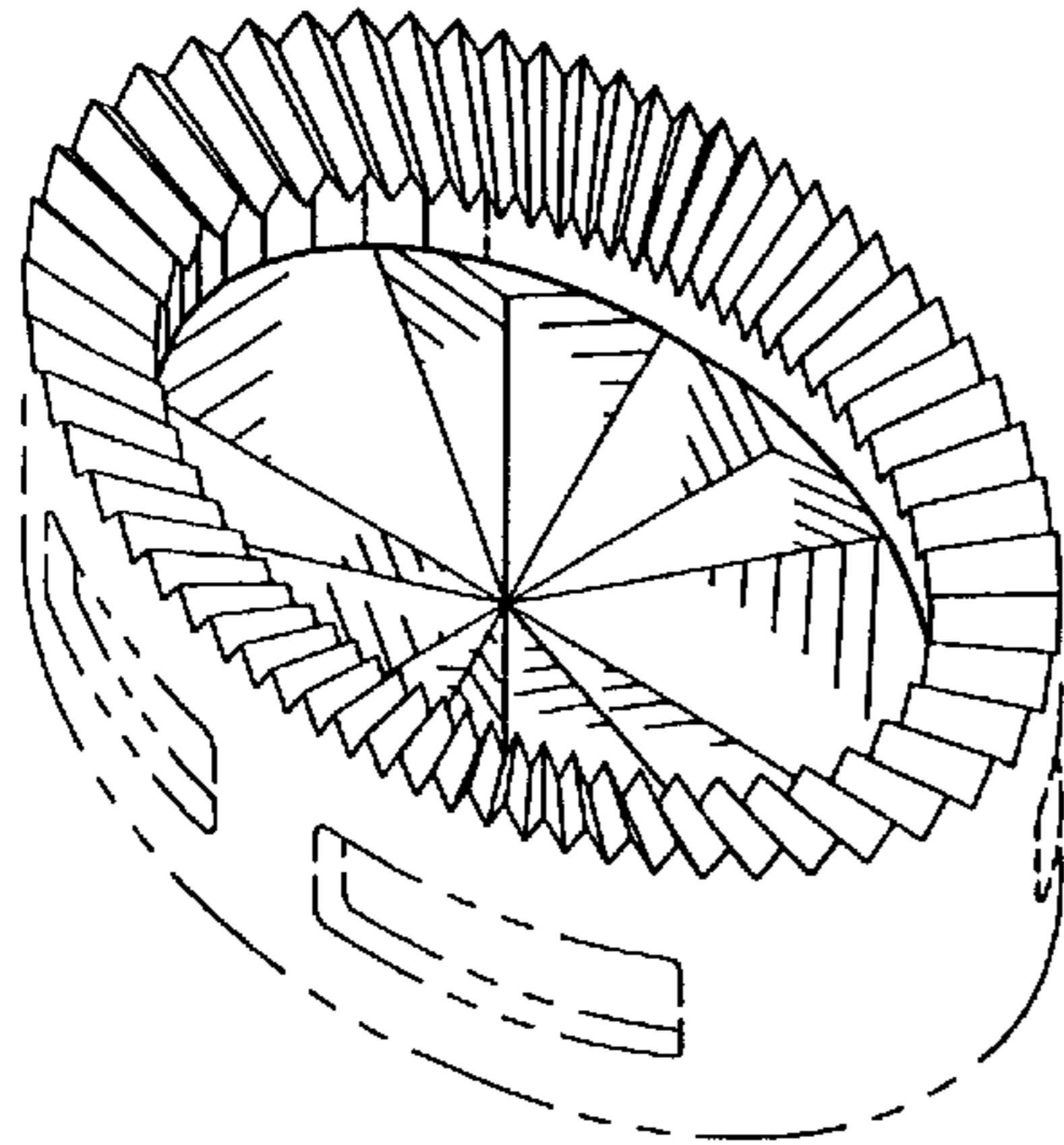


FIG. 57

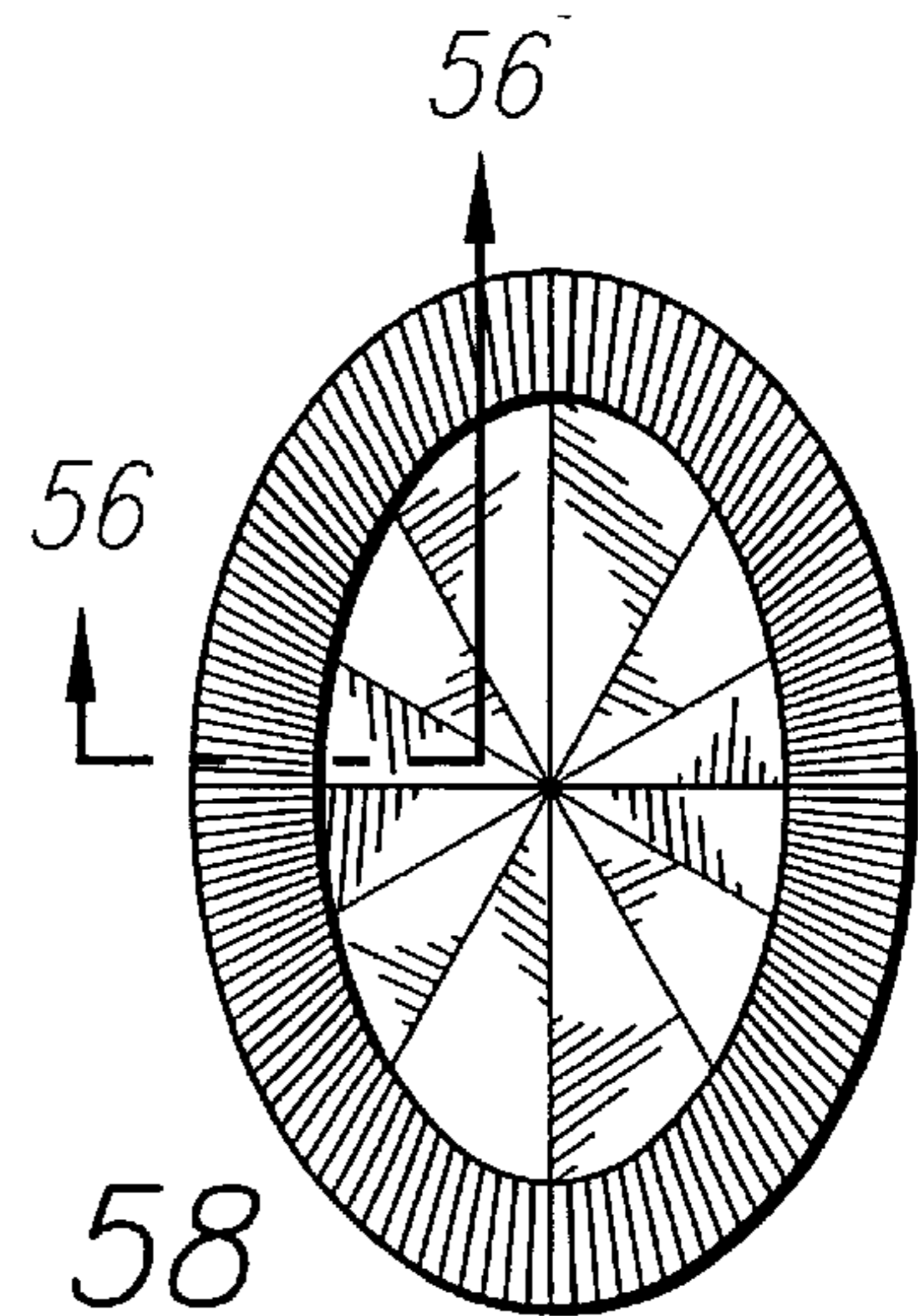


FIG. 58

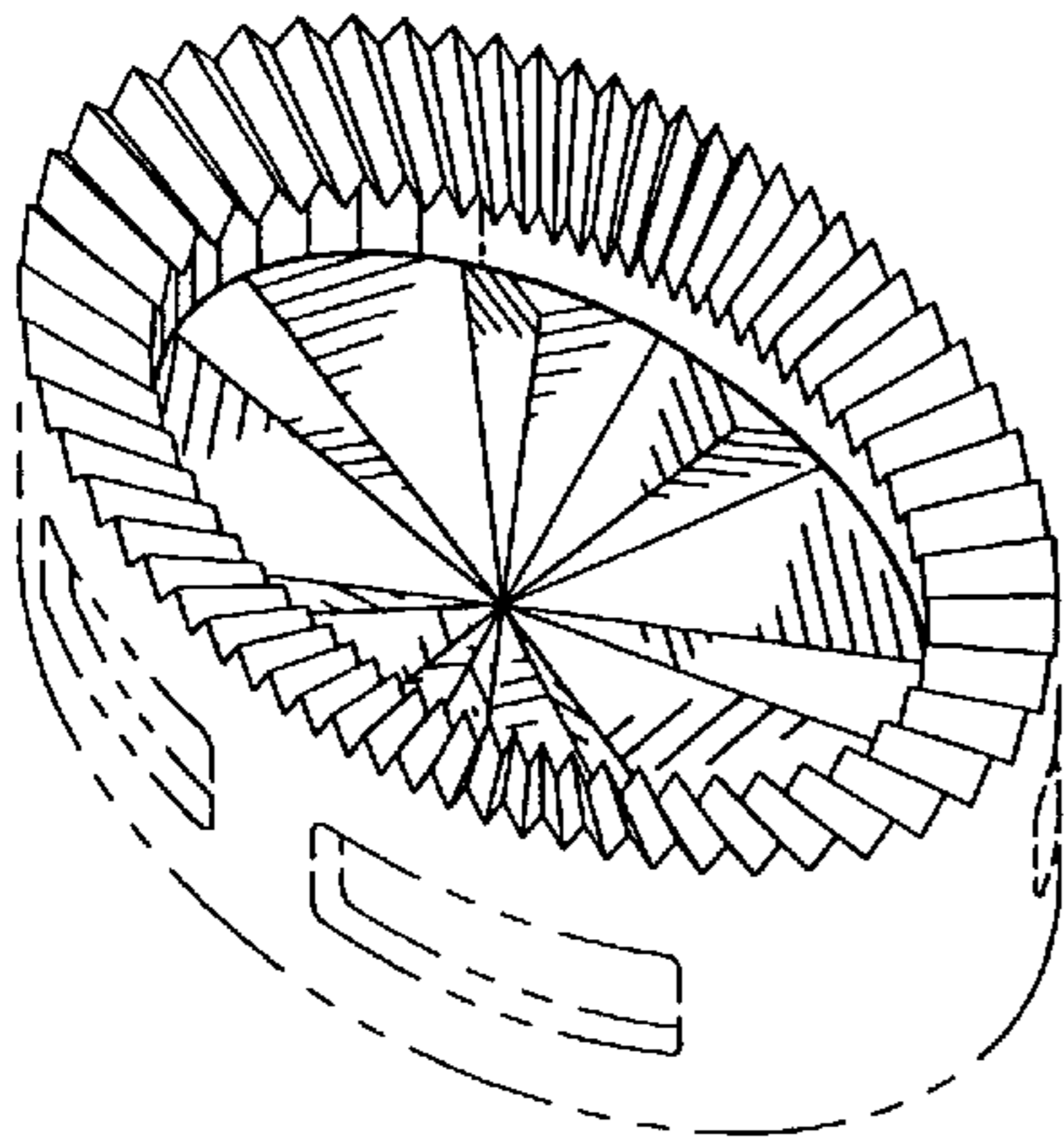


FIG. 59

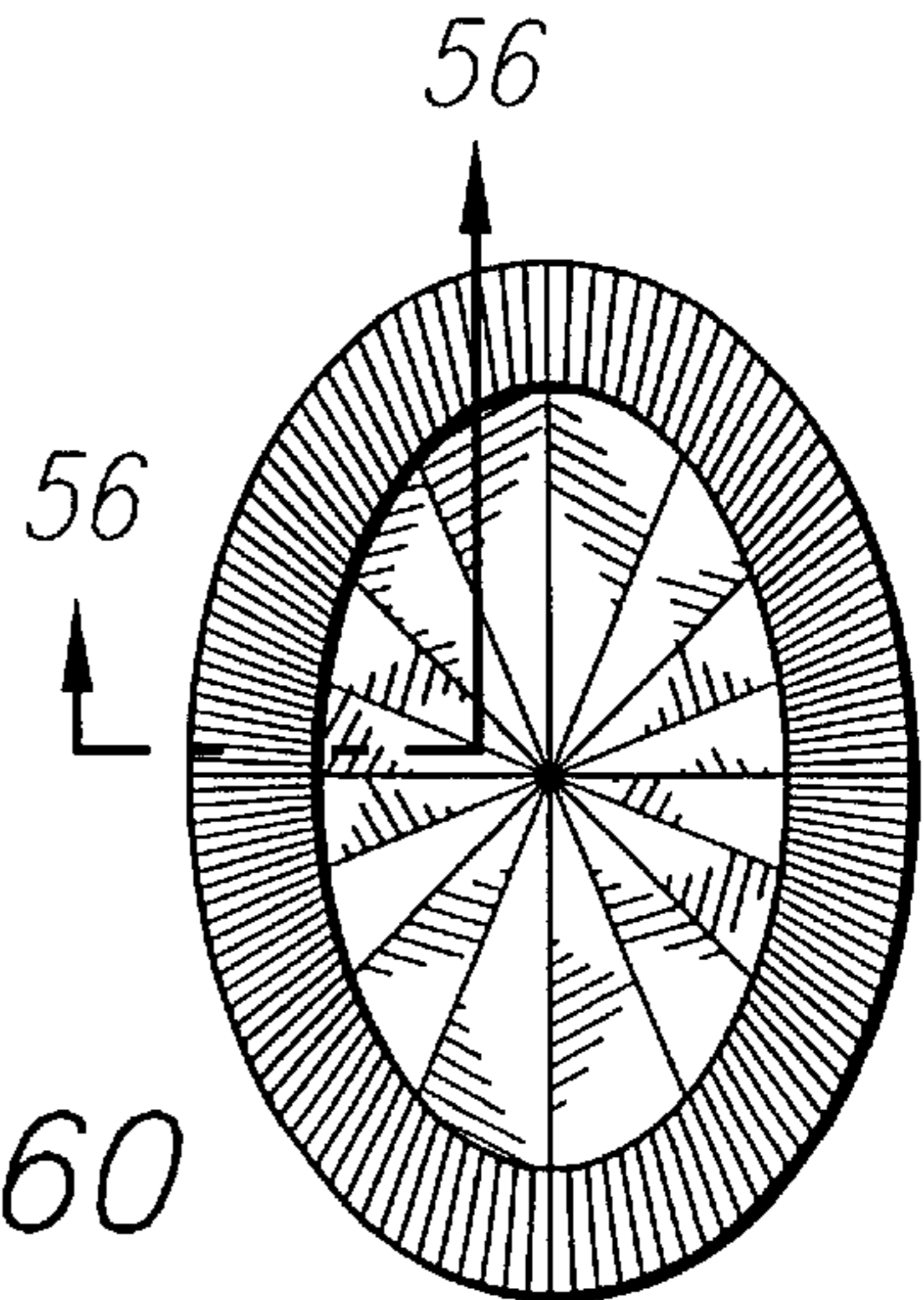


FIG. 60

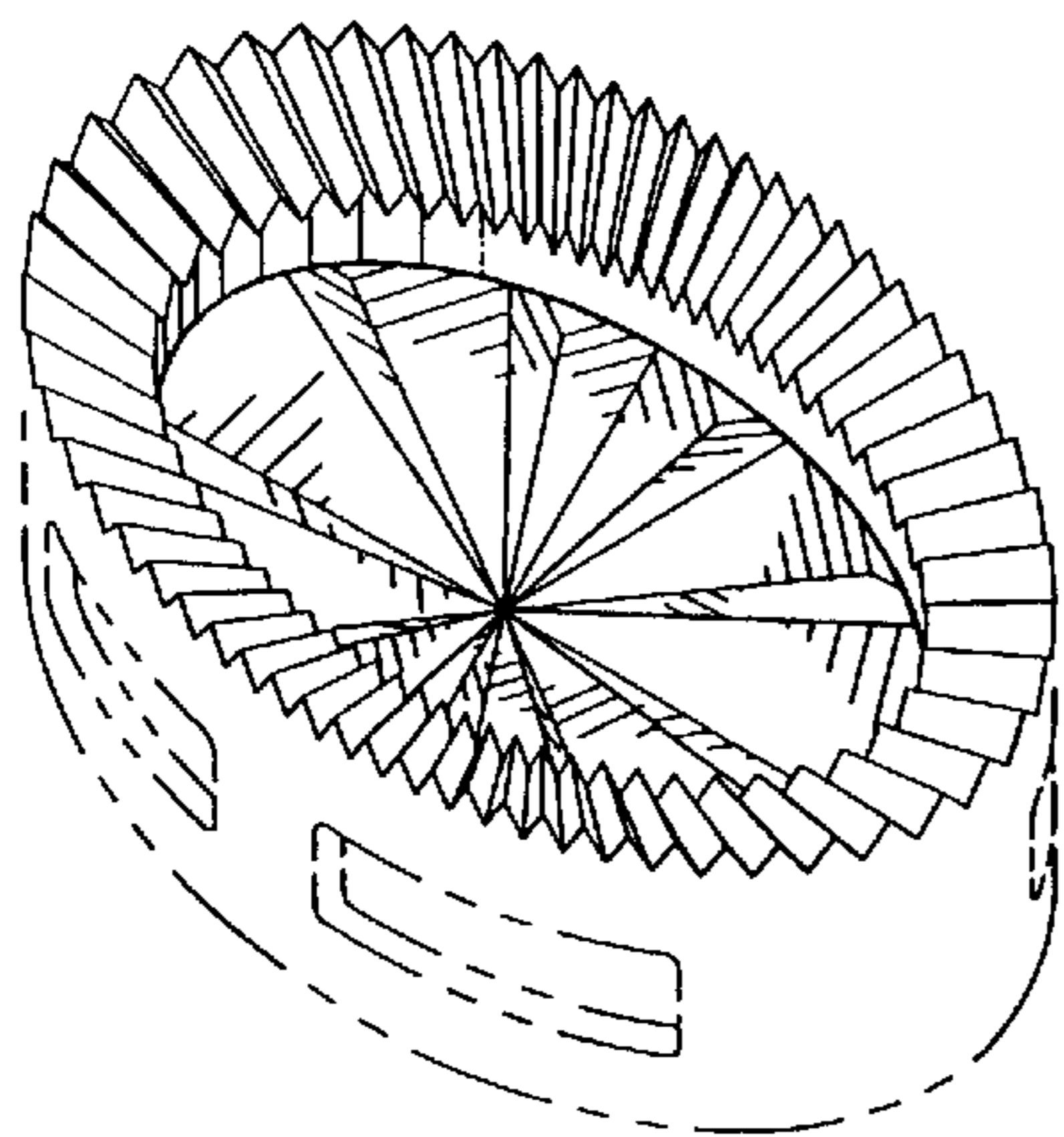


FIG. 61

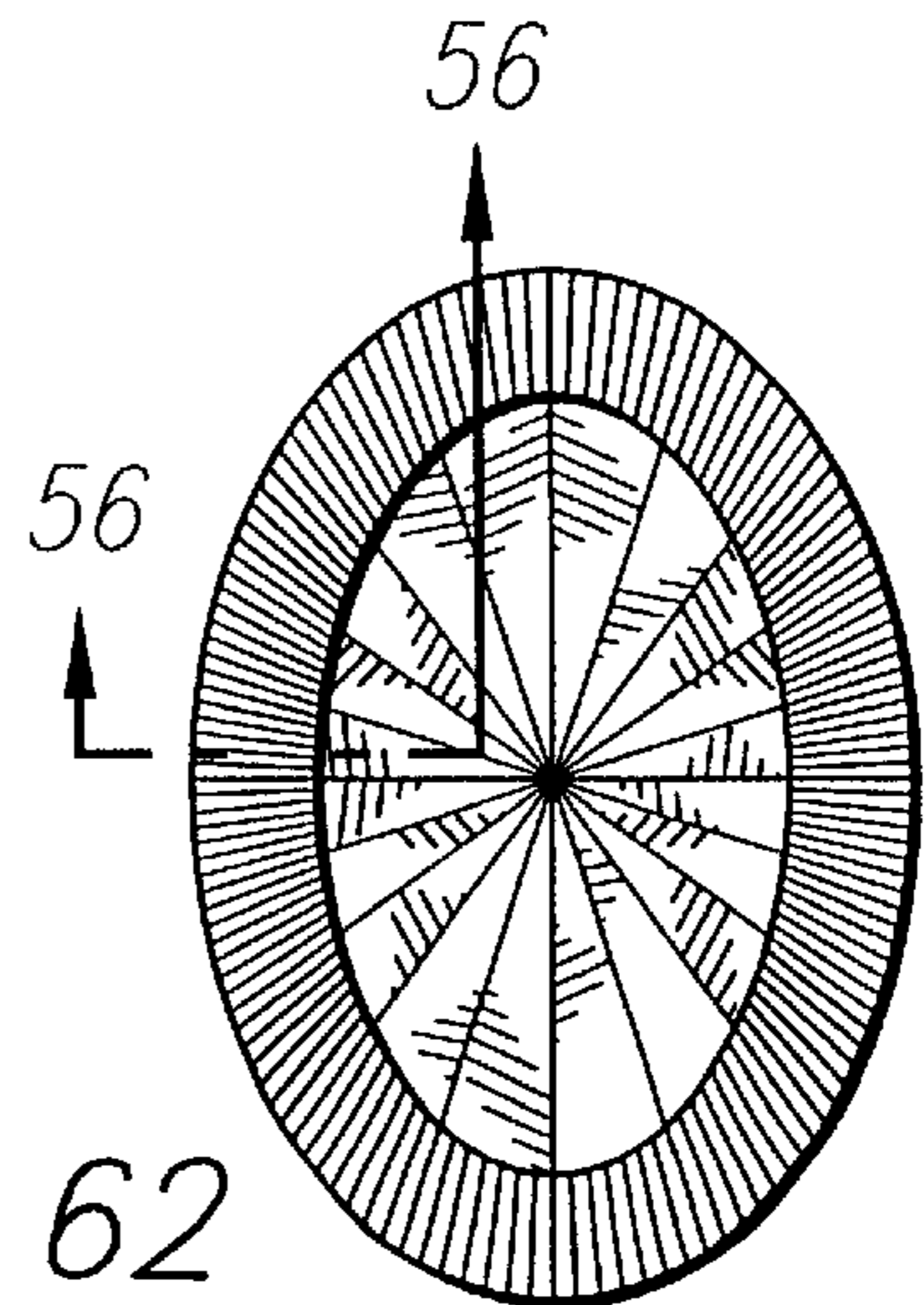


FIG. 62