



US00D469714S

(12) **United States Design Patent**
Book

(10) **Patent No.:** **US D469,714 S**

(45) **Date of Patent:** **** Feb. 4, 2003**

(54) **MONEY CLIP**

(76) Inventor: **Steven C. Book**, Suite D, 16th Floor,
Flourish Manufactory Centre, 18 Tai
Lee Street, Yuen Long, N.T. (HK)

(**) Term: **14 Years**

(21) Appl. No.: **29/147,498**

(22) Filed: **Aug. 30, 2001**

(51) **LOC (7) Cl.** **11-01**

(52) **U.S. Cl.** **D11/78.1**

(58) **Field of Search** D11/78.1, 215;
70/458; 24/561, 563; 453/50

(56) **References Cited**

U.S. PATENT DOCUMENTS

3,100,494 A	*	8/1963	Littman	D11/78.1
D221,412 S	*	8/1971	Laughlin	D11/78.1
3,908,418 A	*	9/1975	Stoffel	70/456 R
D301,017 S	*	5/1989	Norman et al.	D10/68
D327,095 S	*	6/1992	Meyer	D19/90
D330,688 S	*	11/1992	Haines	D11/202

* cited by examiner

Primary Examiner—Ralf Seifert

(74) *Attorney, Agent, or Firm*—William L. Chapin; Howard
J. Klein

(57) **CLAIM**

The ornamental design of a money clip, as shown and
described.

DESCRIPTION

FIG. 1 is a perspective view, taken from the top and front,
of a money clip in accordance with my new design;

FIG. 2 is a top plan view of the money clip of FIG. 1;

FIG. 3 is a front elevational view of the money clip of FIG.
1;

FIG. 4 is a rear elevational view of the money clip of FIG.
1;

FIG. 5 is a bottom plan view of the money clip of FIG. 1;
and,

FIG. 6 is a side elevational view taken from the left side of
FIG. 2, the side elevational view taken from the right side of
FIG. 2 being the mirror image of the left side elevational
view.

1 Claim, 2 Drawing Sheets

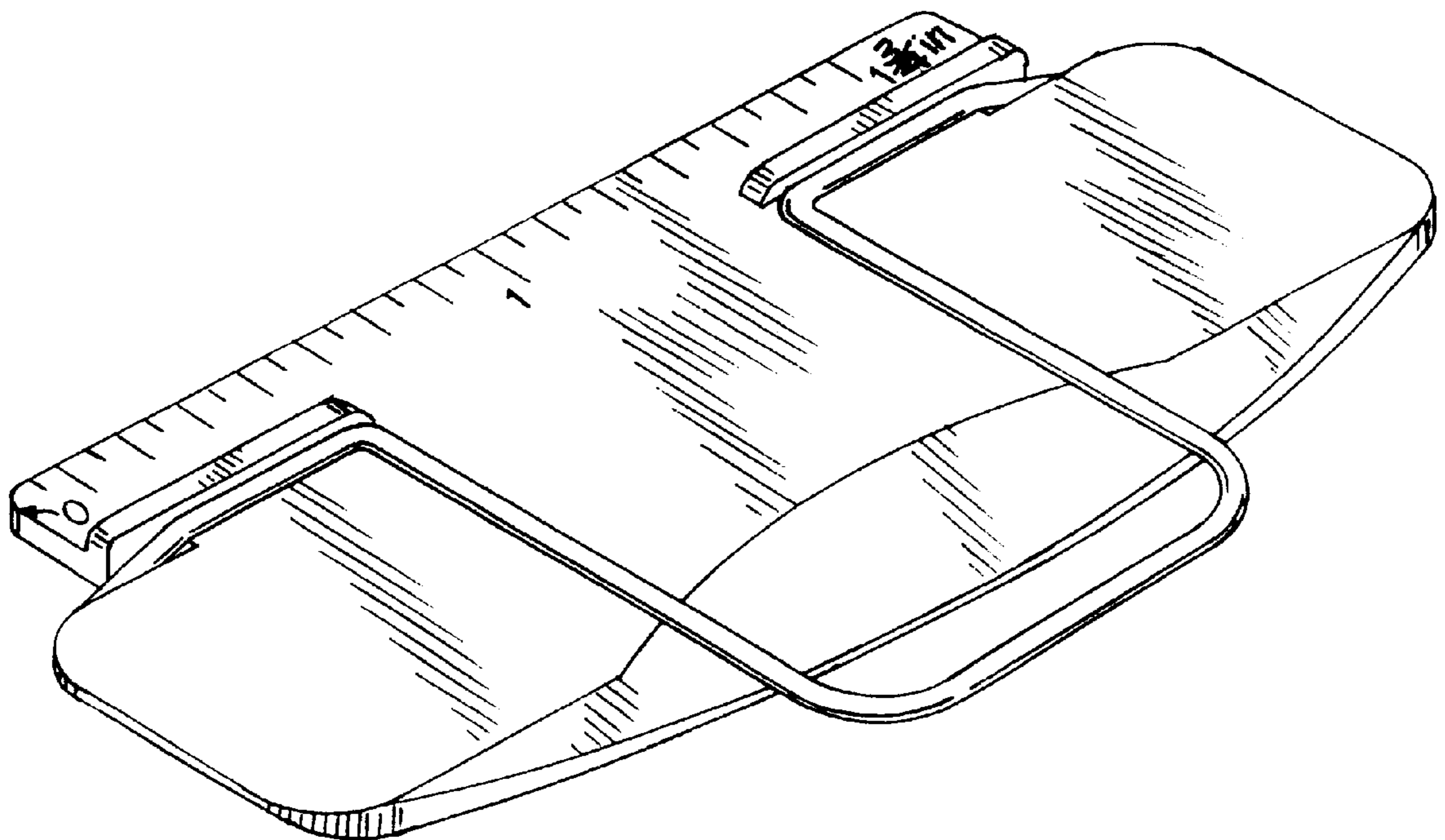


FIG. 1

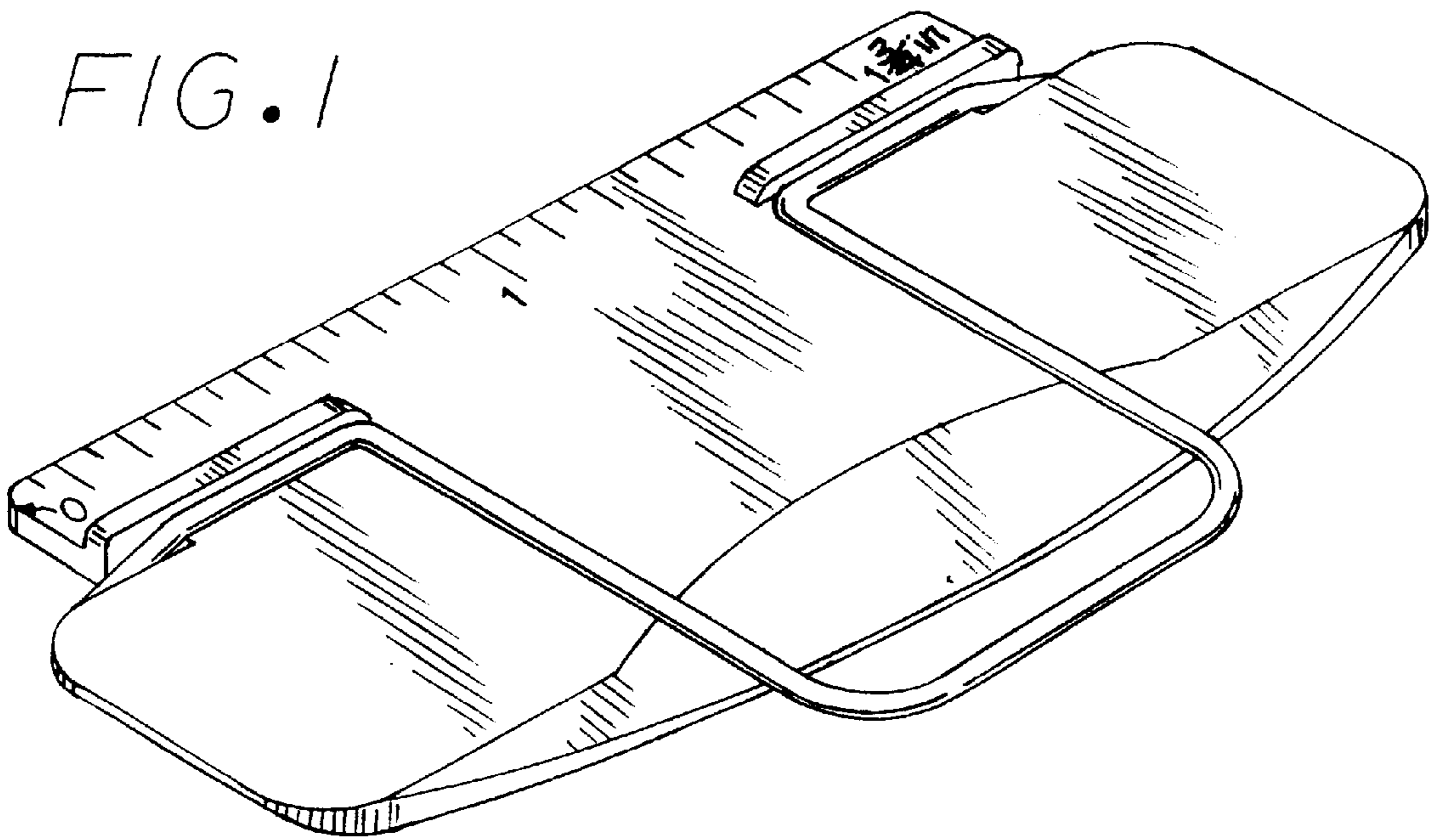


FIG. 2

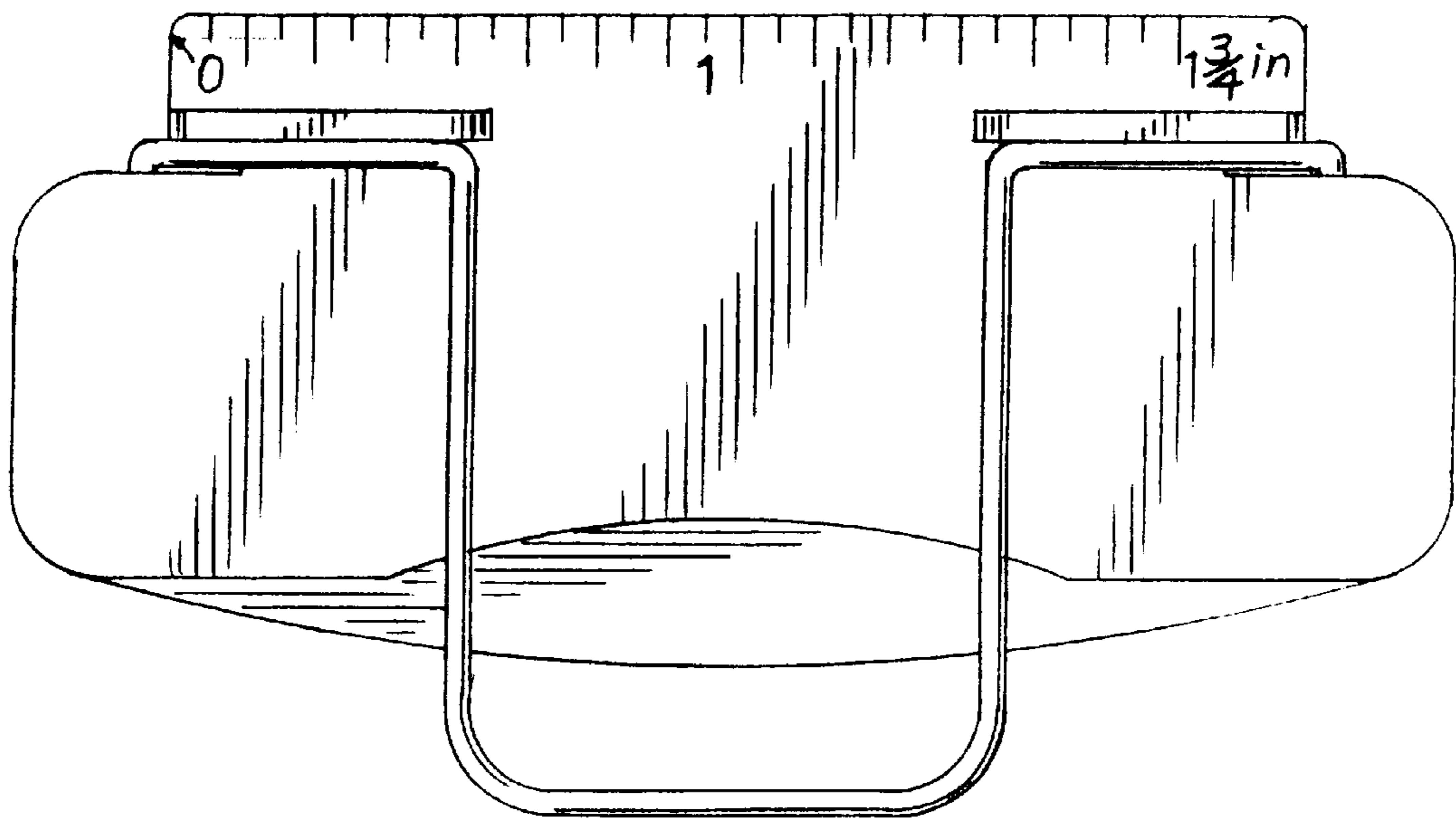


FIG. 3

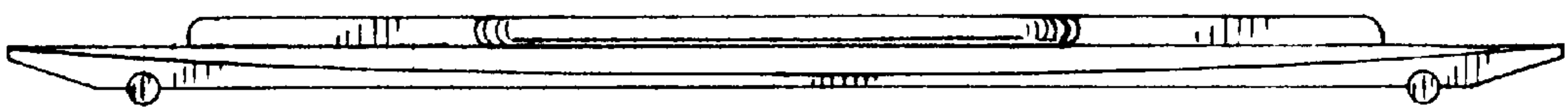


FIG. 4

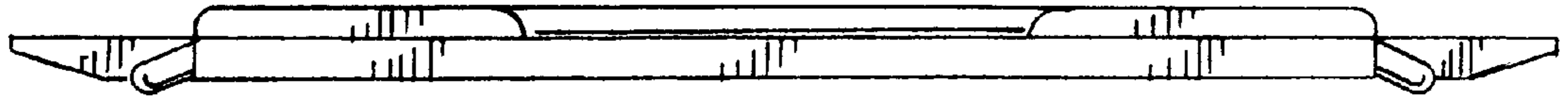


FIG. 5

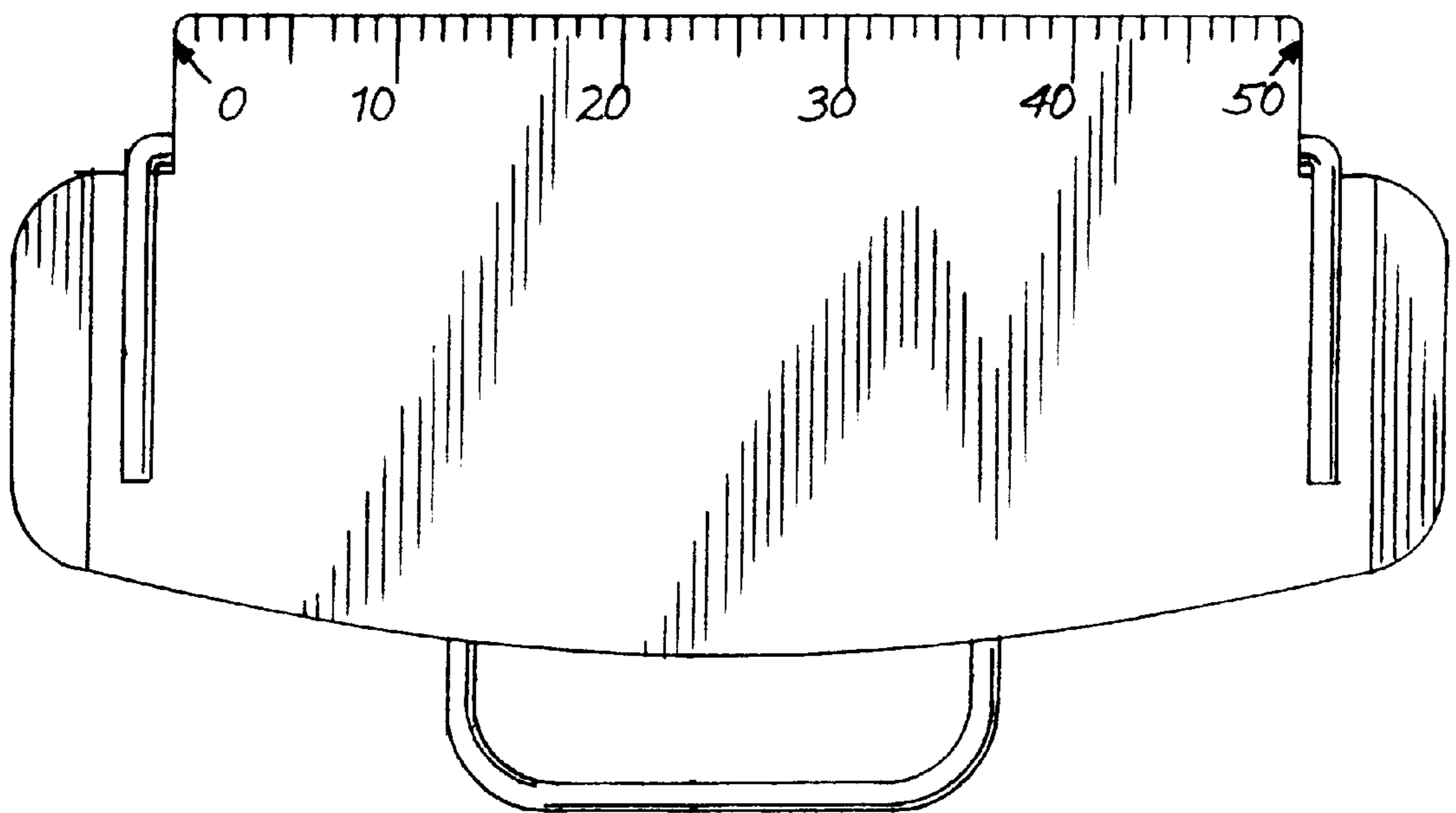


FIG. 6

