



US00D469711S

(12) **United States Design Patent** (10) **Patent No.:** **US D469,711 S**  
**Neufeglise et al.** (45) **Date of Patent:** **\*\* Feb. 4, 2003**

(54) **LIGHT BAR**

(75) Inventors: **Steven W. Neufeglise**, Rochester, NY (US); **Jack Douglas Richardson**, Pittsford, NY (US); **Stephen T. Vukosic**, Rochester, NY (US)

(73) Assignee: **Star Headlight & Lantern Co., Inc.**, Avon, NY (US)

(\*\*) Term: **14 Years**

(21) Appl. No.: **29/168,355**

(22) Filed: **Oct. 1, 2002**

(51) **LOC (7) Cl.** ..... **10-05**

(52) **U.S. Cl.** ..... **D10/114**

(58) **Field of Search** ..... D10/109, 111, D10/114, 121; D26/28-36; 362/61, 80, 80.1, 83, 83.3, 240

(56) **References Cited**

**U.S. PATENT DOCUMENTS**

D237,999 S	12/1975	Runyon
D249,250 S	9/1978	Peirish, Jr.
4,189,709 A	2/1980	Gosswiller
D262,659 S	1/1982	Latta et al.
4,334,211 A	6/1982	McConnell et al.
D274,001 S	5/1984	Sailers
D280,978 S	10/1985	Gosswiller
4,577,178 A	3/1986	Hitora
4,595,904 A	6/1986	Gosswiller et al.
D284,557 S	7/1986	Ferenc
D286,756 S	11/1986	Menke et al.
4,635,039 A	1/1987	Gosswiller
D291,870 S	9/1987	Urbanski et al.
D293,090 S	12/1987	Garnerone
D312,424 S	11/1990	Foster
D312,425 S	11/1990	Foster
D312,978 S	12/1990	Foster
5,027,260 A	6/1991	Lyons et al.
D319,601 S	9/1991	Sasaki et al.
D326,621 S	6/1992	Jincks et al.
5,160,874 A	11/1992	Lyons et al.
D345,315 S	3/1994	Green et al.

(List continued on next page.)

**OTHER PUBLICATIONS**

Federal Signal Corp., Vista Lightbar, Federal Signal Corp. Product Catalog 1998, pp. 6-7.

(List continued on next page.)

*Primary Examiner*—Marcus A. Jackson

(74) *Attorney, Agent, or Firm*—Kenneth J. LuKacher; Martin LuKacher

(57) **CLAIM**

The ornamental design for a light bar, as shown and described.

**DESCRIPTION**

FIG. 1 is a front elevational view of a first embodiment light bar incorporating our new design;

FIG. 2 is an end elevational view thereof;

FIG. 3 is a rear elevational view thereof;

FIG. 4 is a top perspective view thereof;

FIG. 5 is a bottom perspective view thereof;

FIG. 6 is a top plan view thereof;

FIG. 7 is a bottom plan view thereof;

FIG. 8 is a front elevational view of a second embodiment of our new design having a shorter upper portion;

FIG. 9 is a rear elevational view thereof;

FIG. 10 is an end elevational view thereof;

FIG. 11 is a top perspective view thereof;

FIG. 12 is a bottom perspective view thereof;

FIG. 13 is a top plan view thereof;

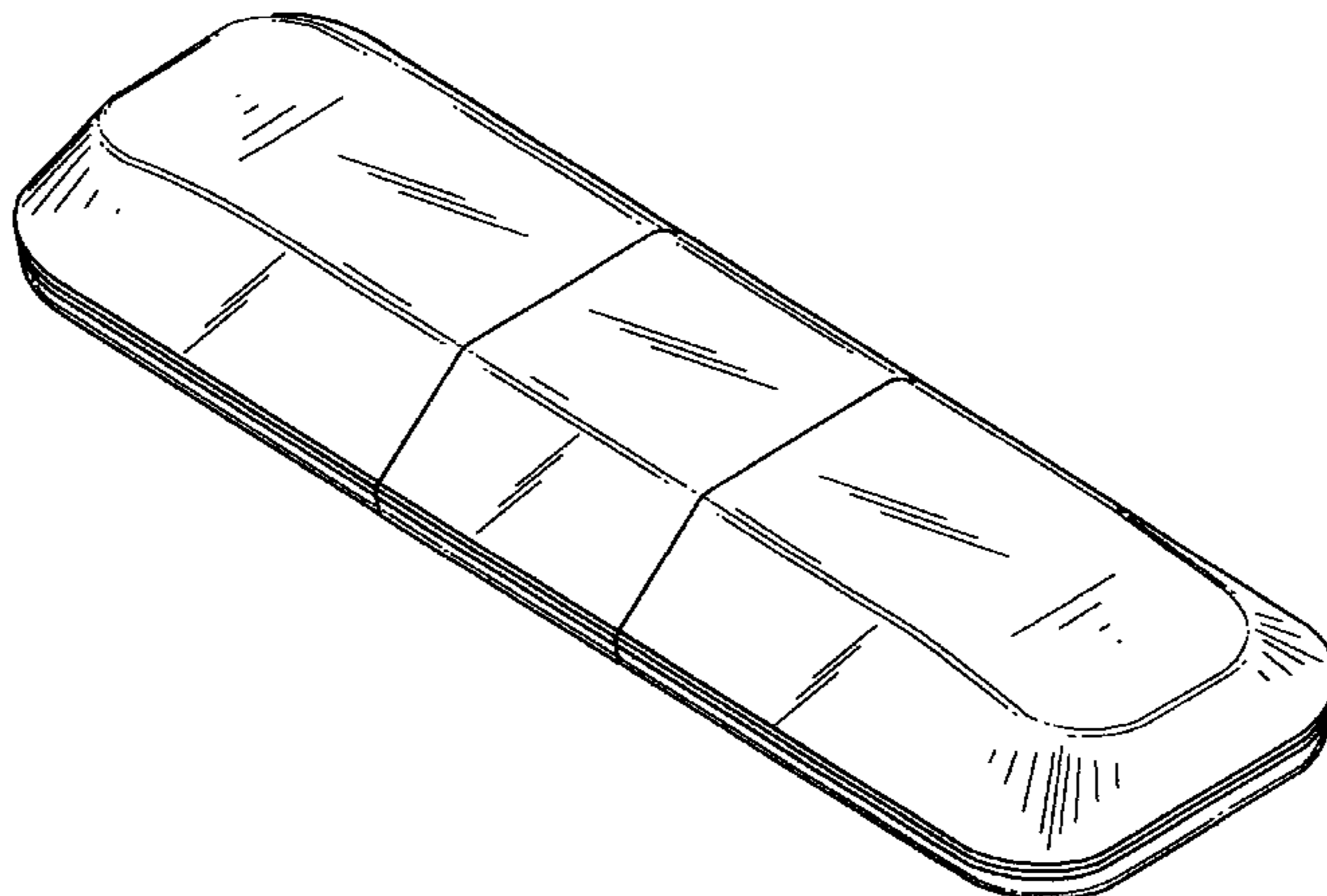
FIG. 14 is a bottom plan view thereof;

FIG. 15 is a top left side perspective view of a third embodiment having notches which design is otherwise the same as the design of the first and second embodiments;

FIG. 16 is a top right side perspective view thereof; and,

FIG. 17 is a bottom perspective view of a fourth embodiment of our new design which except for a bottom panel is otherwise the same as the first, second or the third embodiment.

**1 Claim, 9 Drawing Sheets**

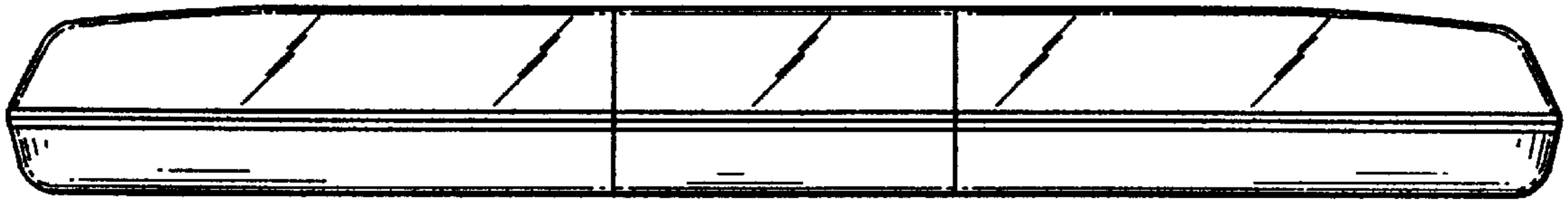


## U.S. PATENT DOCUMENTS

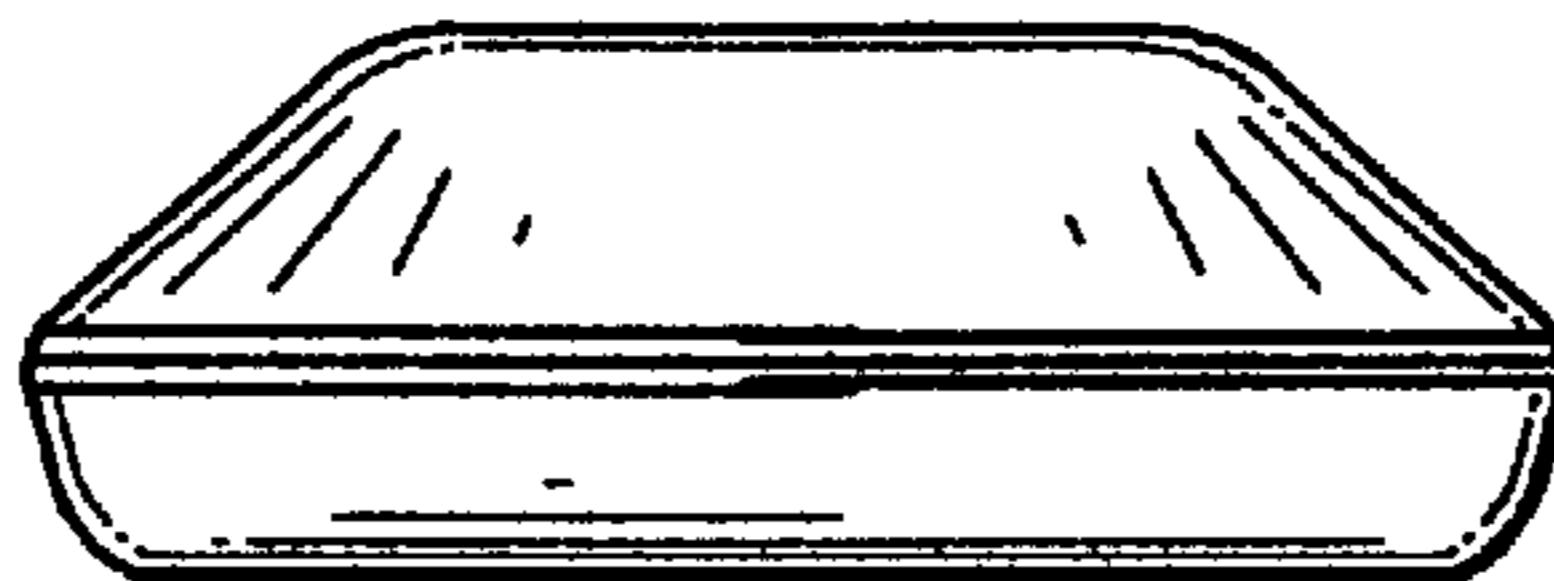
D345,316 S 3/1994 Green et al.  
D355,142 S 2/1995 Wagner  
5,420,774 A 5/1995 Wilson  
D359,461 S 6/1995 Chen  
5,452,188 A 9/1995 Green et al.  
D363,675 S 10/1995 Sasaki et al.  
5,585,782 A 12/1996 Yosko  
D402,909 S 12/1998 Stanuch  
5,884,997 A 3/1999 Stanuch et al.  
D410,402 S 6/1999 Stein et al.  
RE36,245 E 7/1999 Stanuch et al.  
6,081,191 A 6/2000 Green et al.  
D427,537 S 7/2000 Green et al.  
D431,489 S 10/2000 Eckersley  
D432,038 S 10/2000 Sasaki et al.  
D432,444 S 10/2000 Sasaki et al.

## OTHER PUBLICATIONS

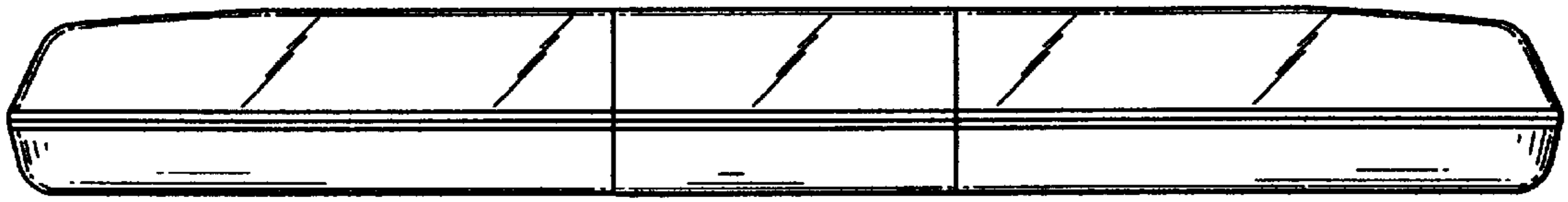
Federal Signal Corp., FireHawk Lightbar, Federal Signal Corp. Product Catalog 1998, pp. 10–11.  
Targeted Warning, Turbo Beam Plus Lightbar, Targeted Warning Catalog 1990, p. 3.  
Targeted Warning, Turbo Flash Strobe, Targeted Warning Catalog 1990, p. 5.  
Whelen 80H and 90H Series Lightbars, Whelen Catalog 1985, p. 25.  
Federal Signal Corp. StreetHawk Lightbar, Federal Signal Corp. Product Catalog 1996, p. 2.  
Federal Signal Corp. EconoMaster Lightbar, Federal Signal Corp. Product Catalog 1996, p. 4.  
Printout of Web page for “Big Country Supply”, Sho–Me by Able–2, SM49 Lightbar “U–Build–It” Add Your Own Options System, <http://store.yahoo.com/bcssales/shombyabsm49.html>.



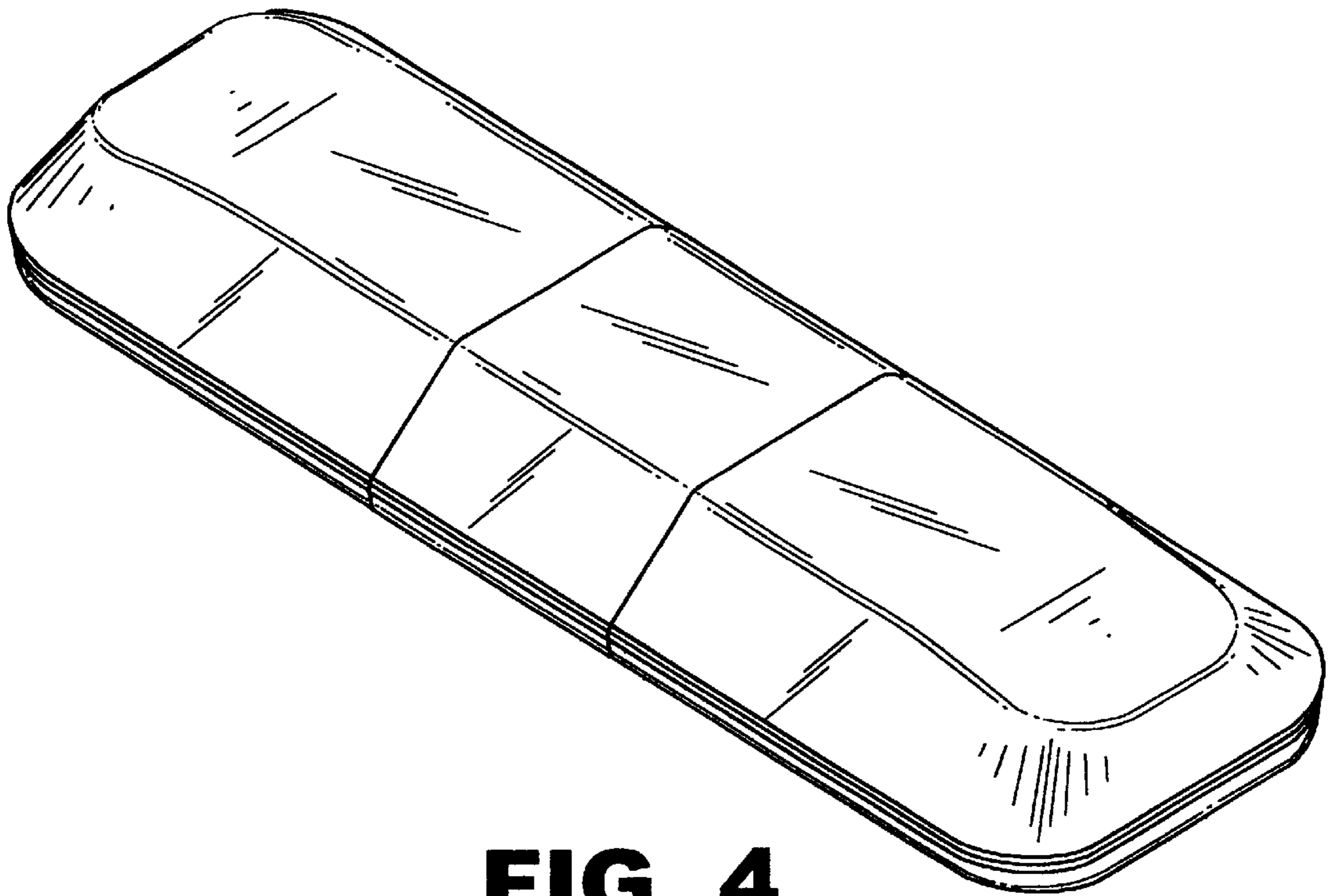
**FIG. 1**



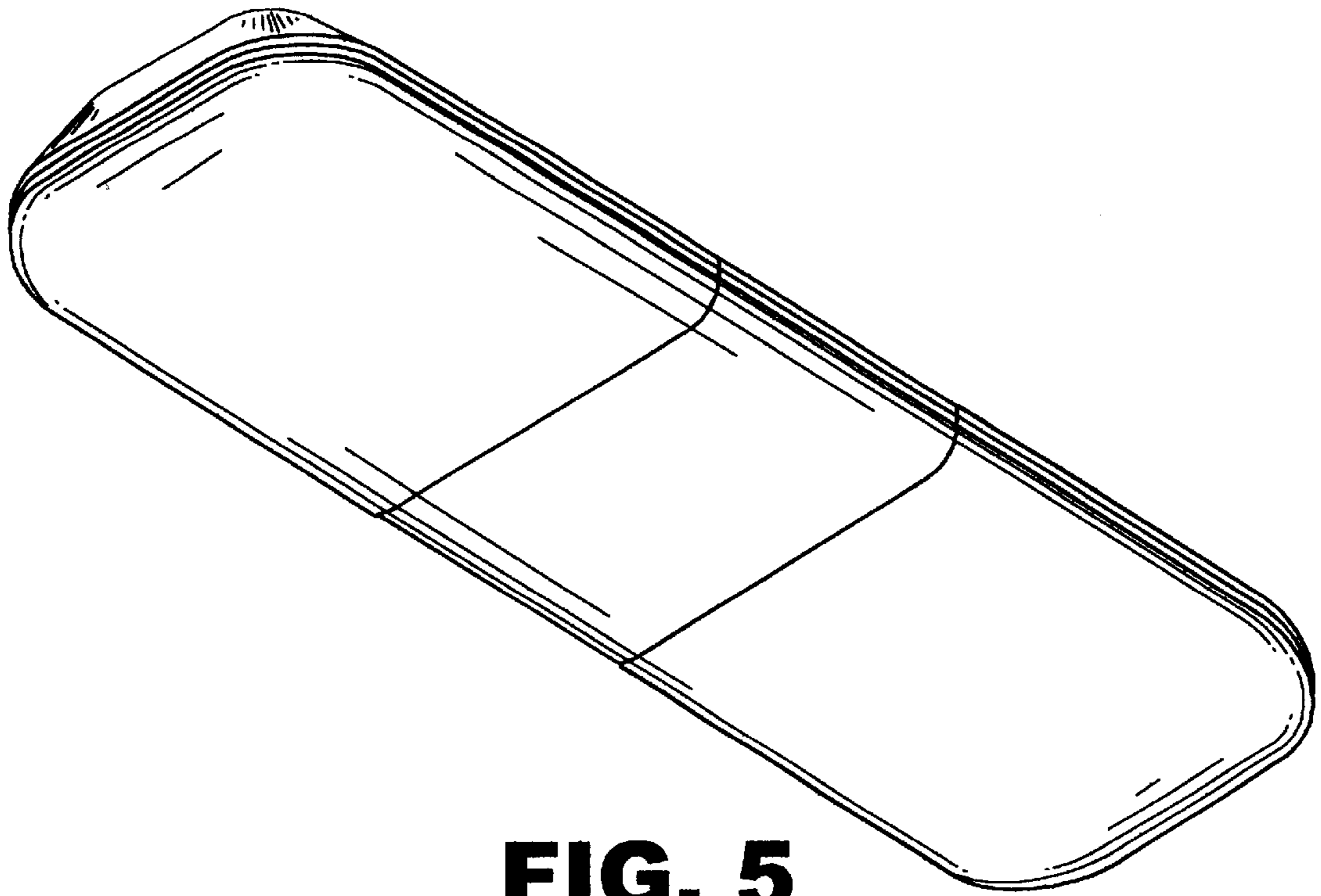
**FIG. 2**



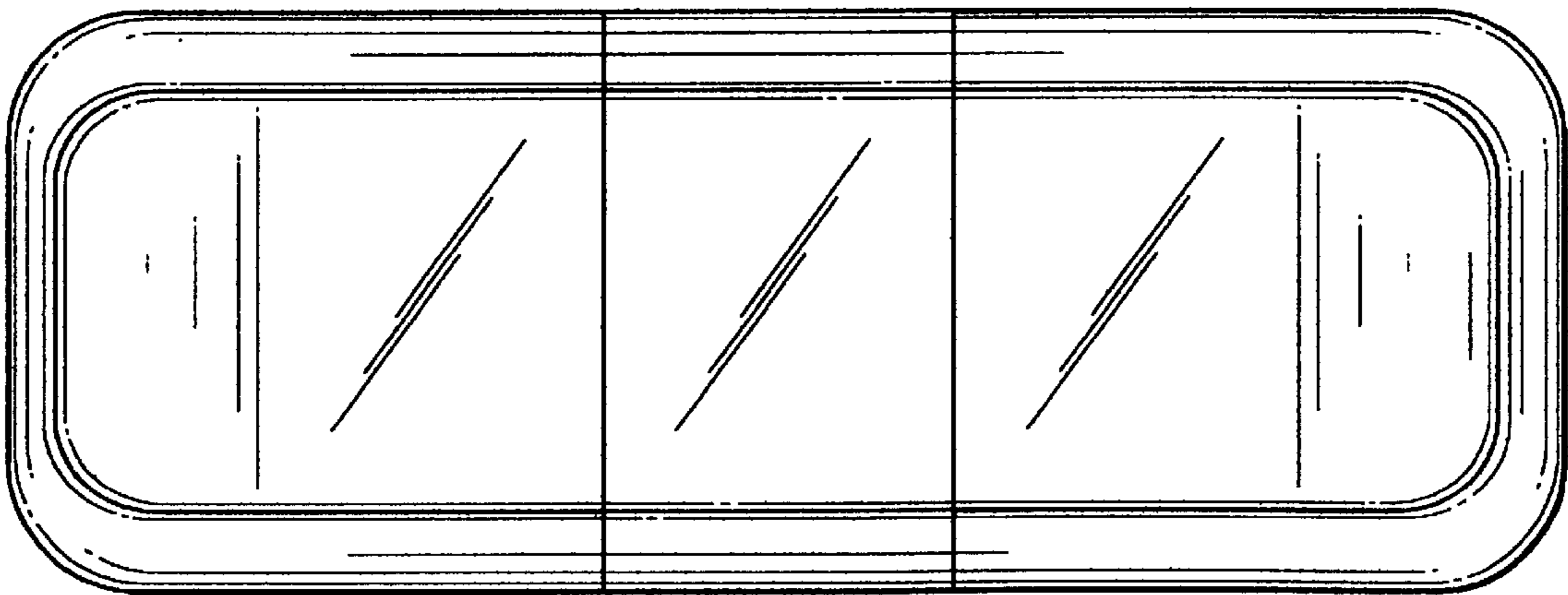
**FIG. 3**



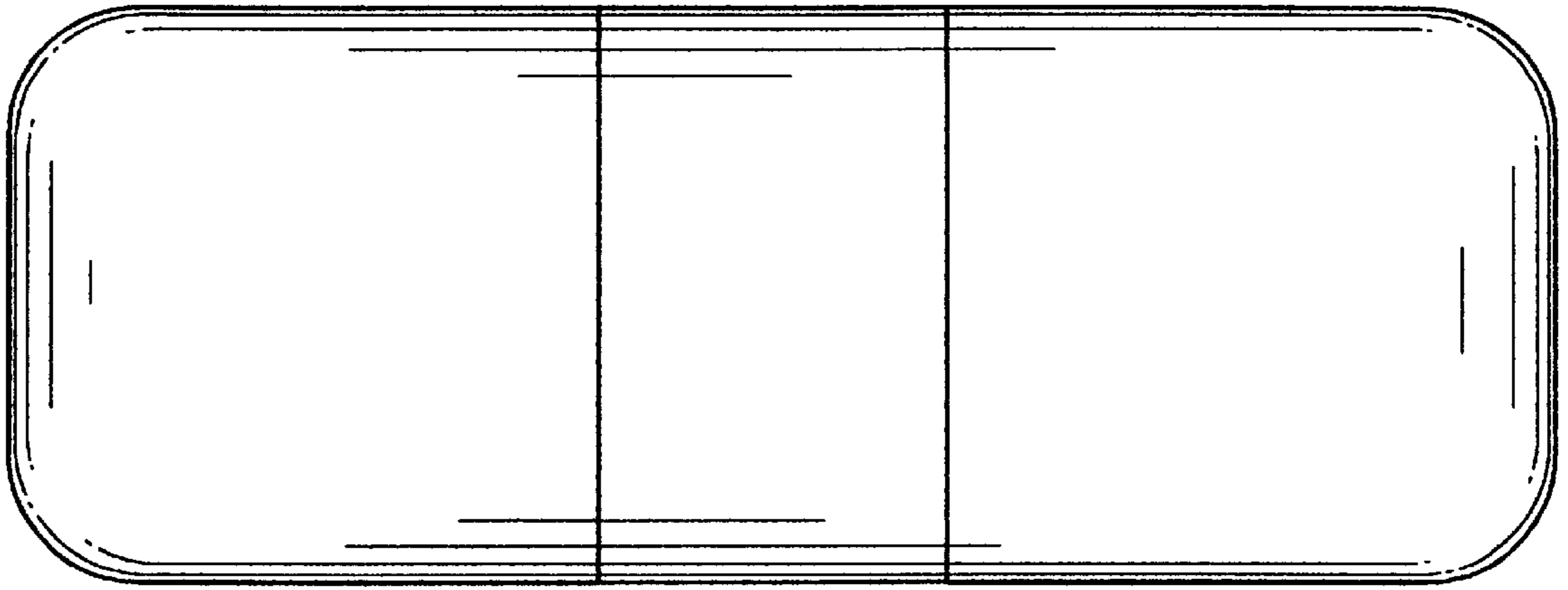
**FIG. 4**



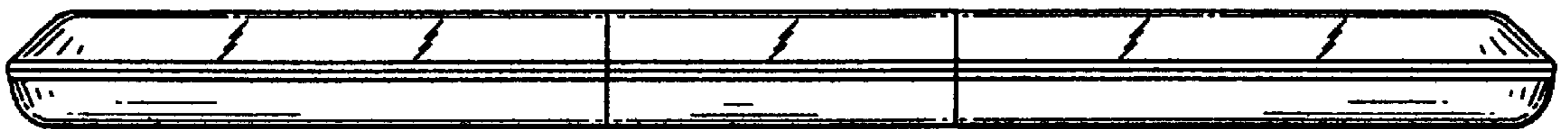
**FIG. 5**



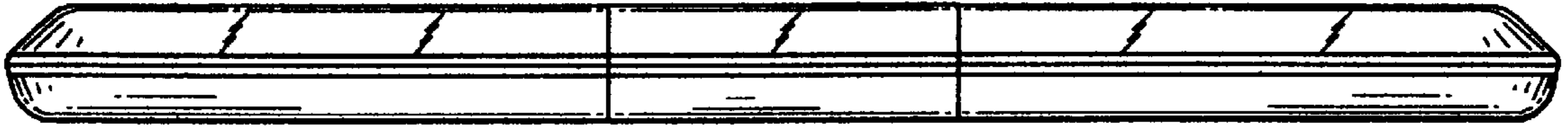
**FIG. 6**



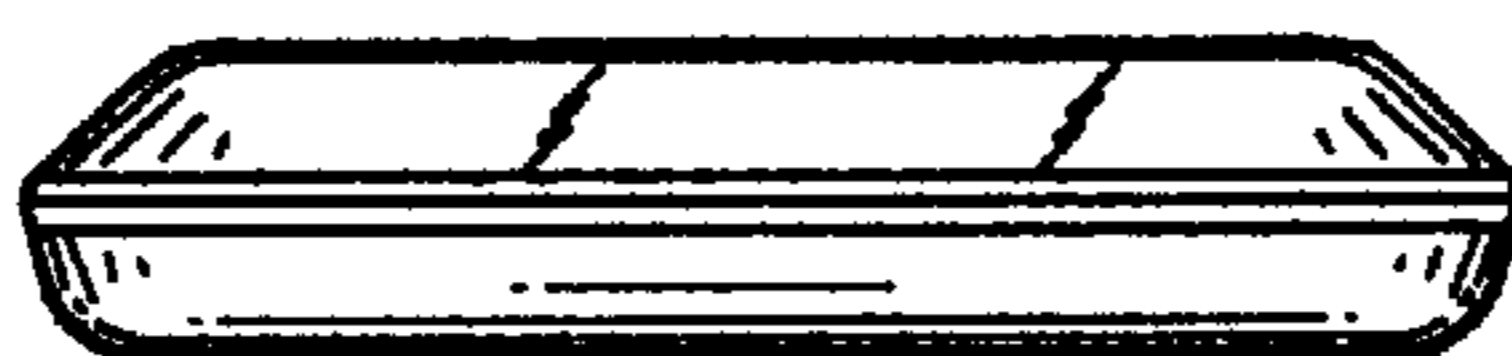
**FIG. 7**



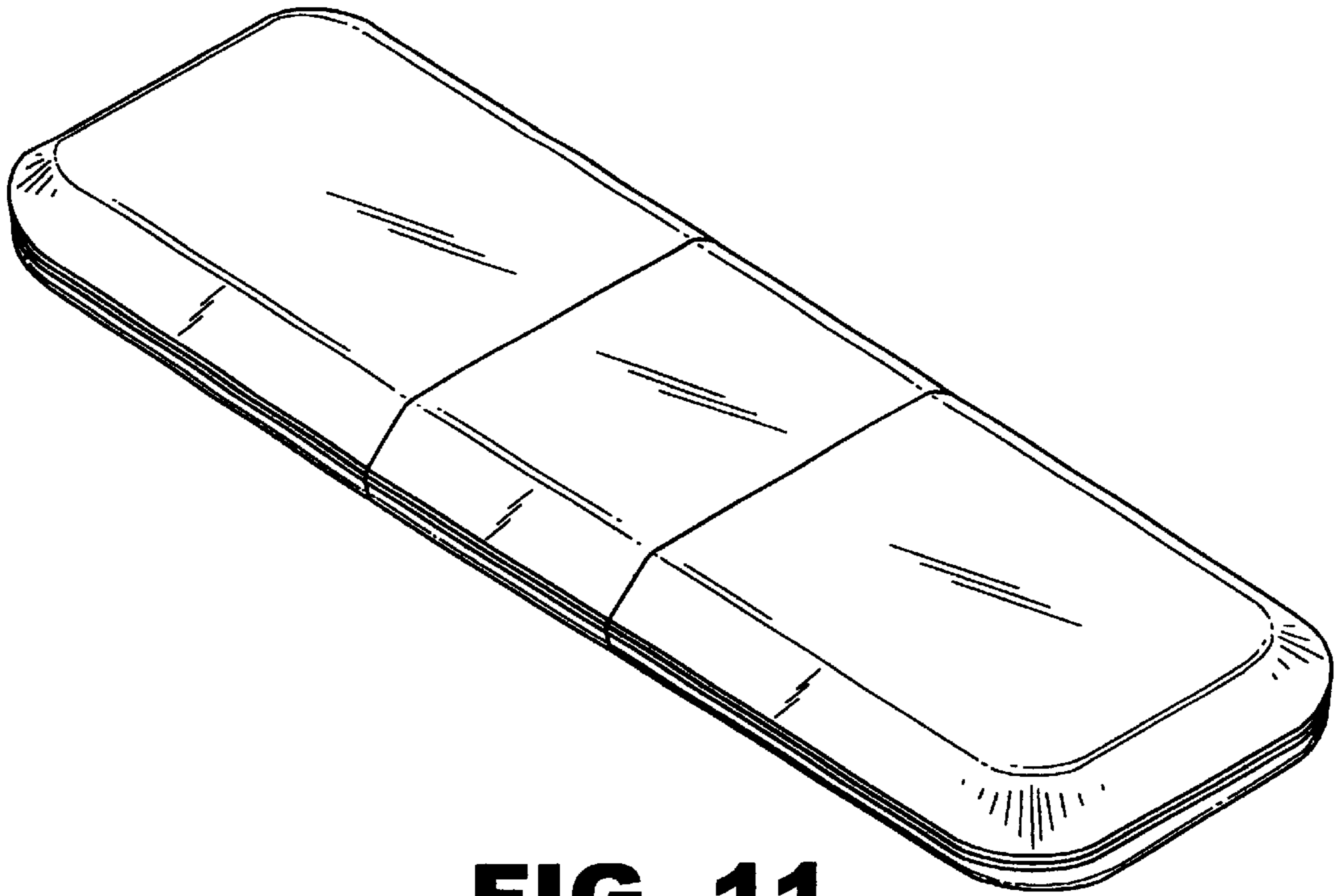
**FIG. 8**



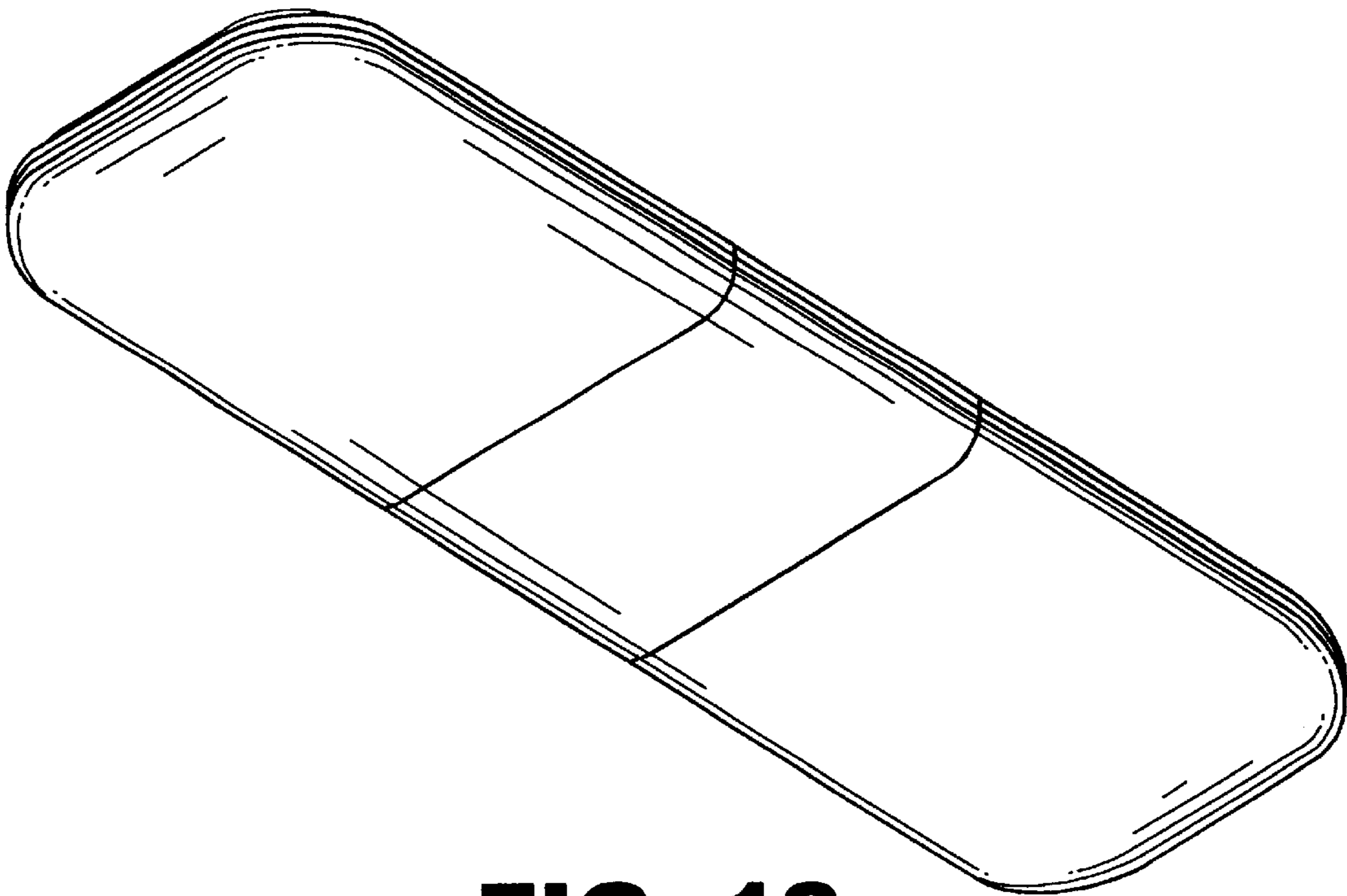
**FIG. 9**



**FIG. 10**

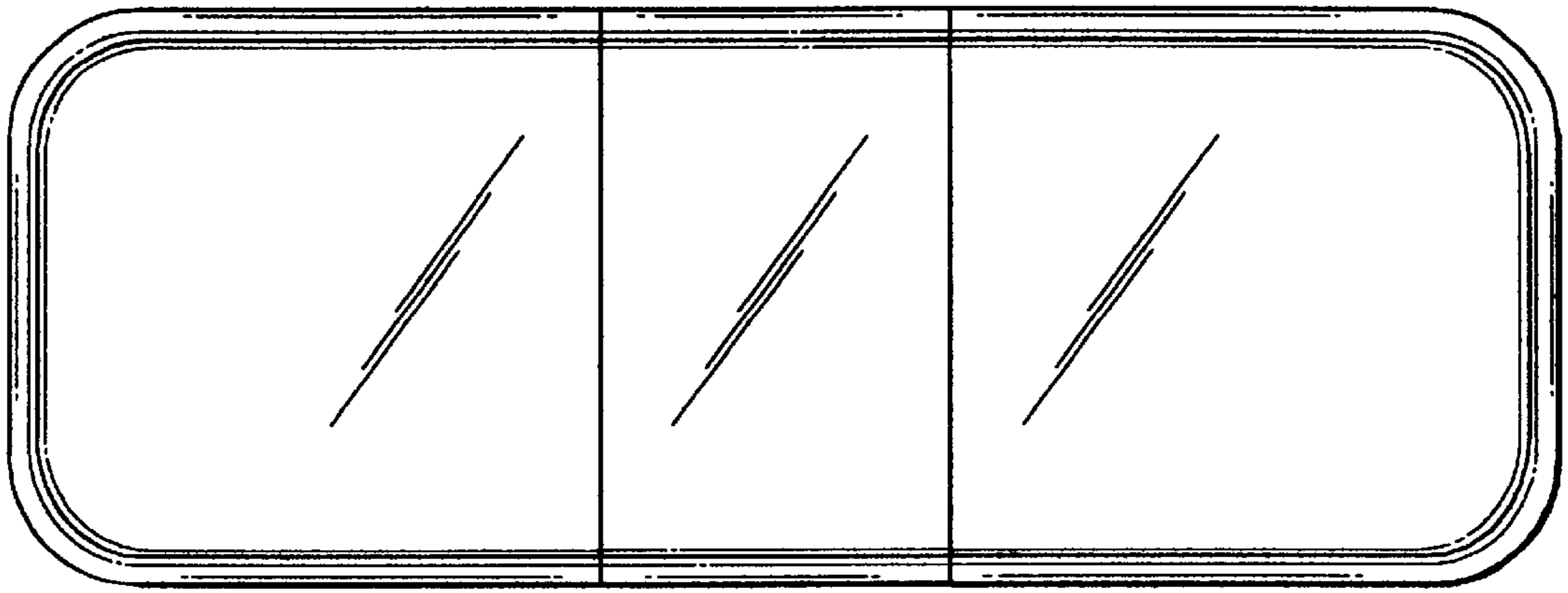


**FIG. 11**

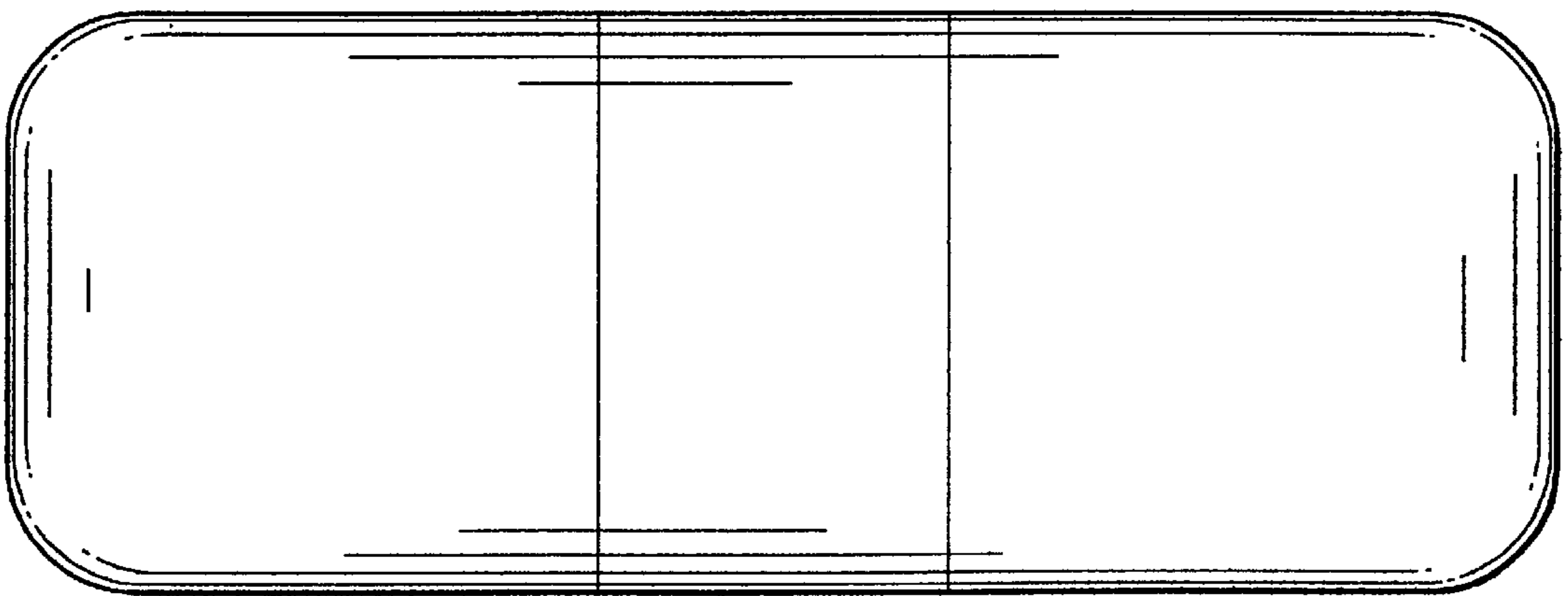


**FIG. 12**

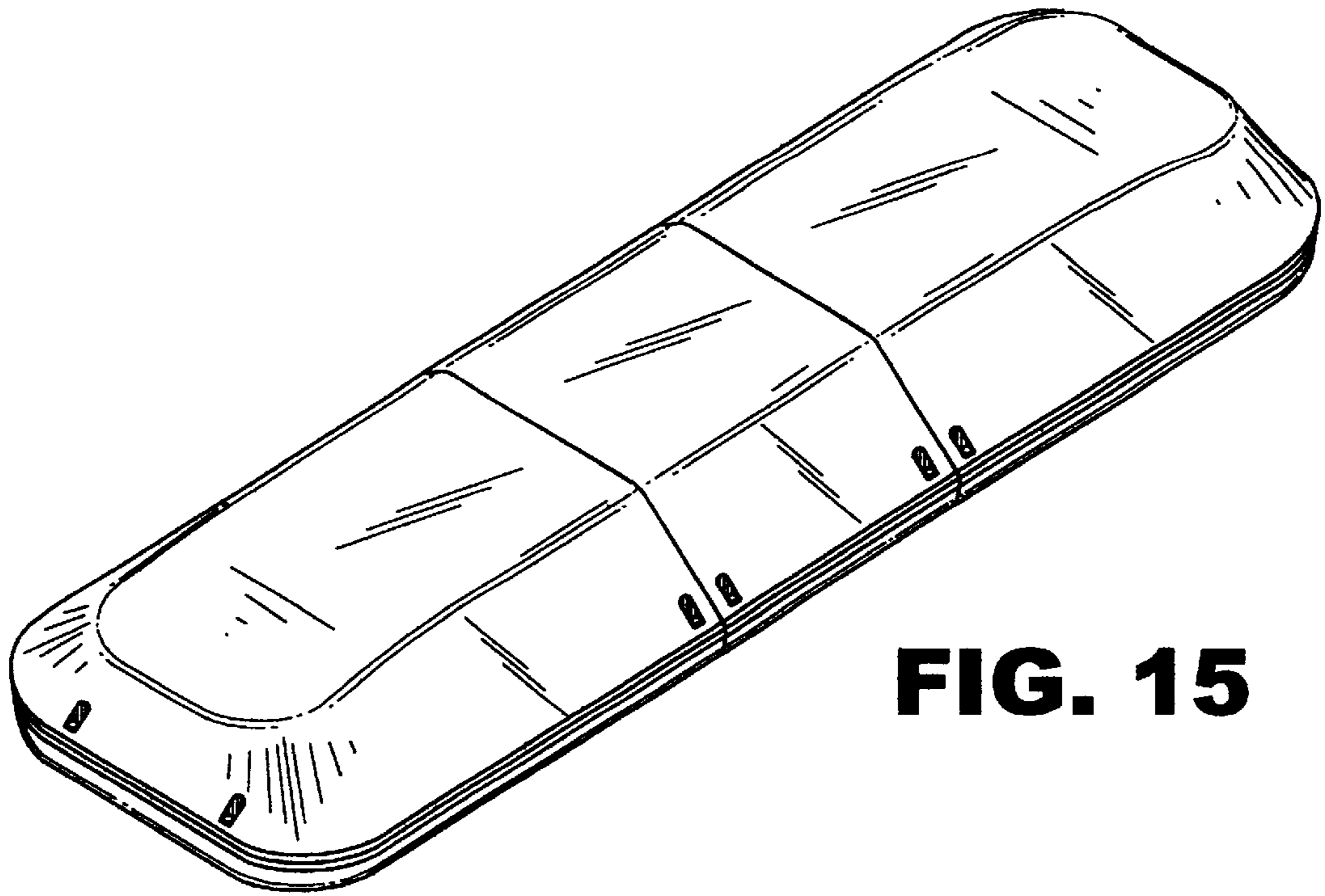




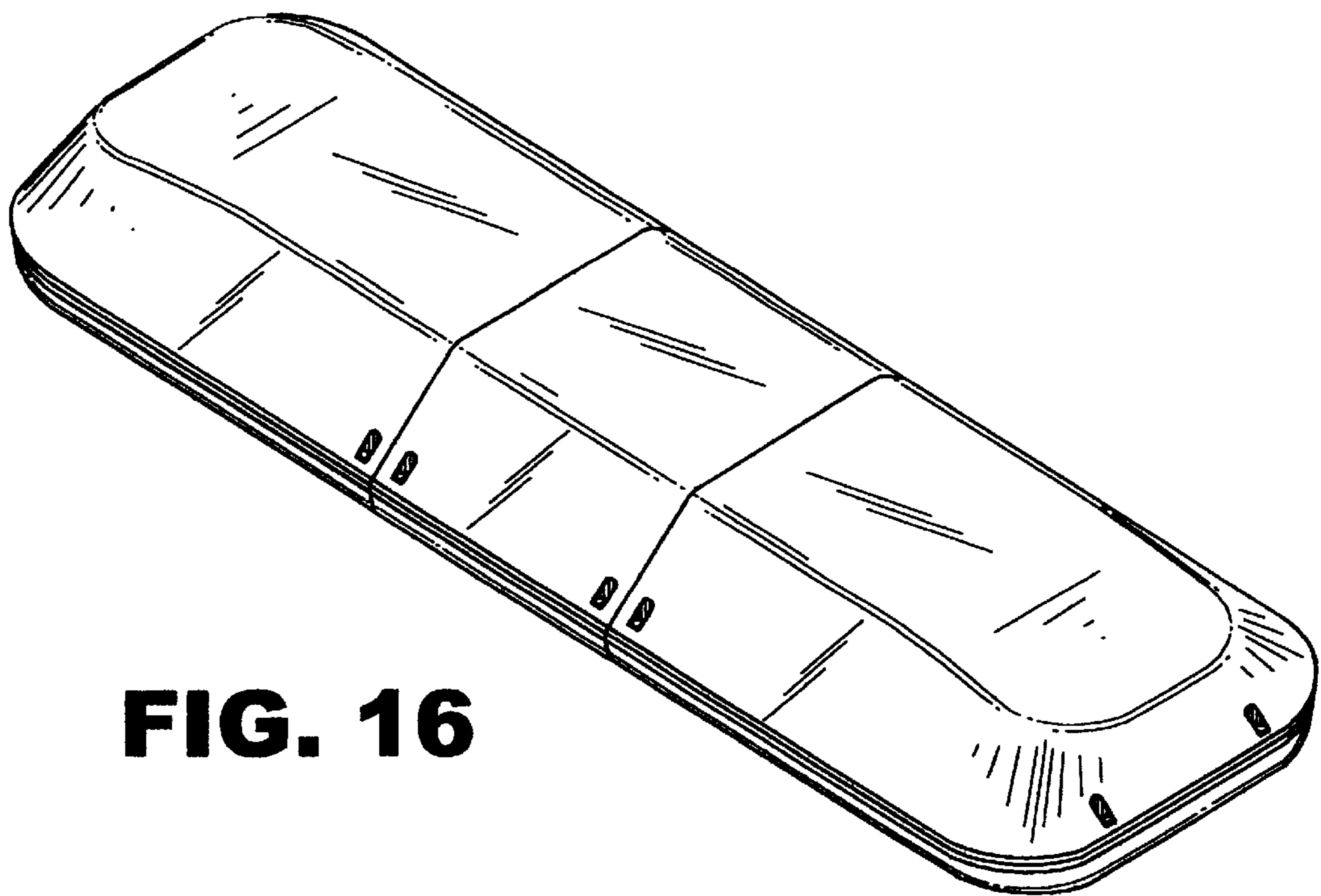
**FIG. 13**



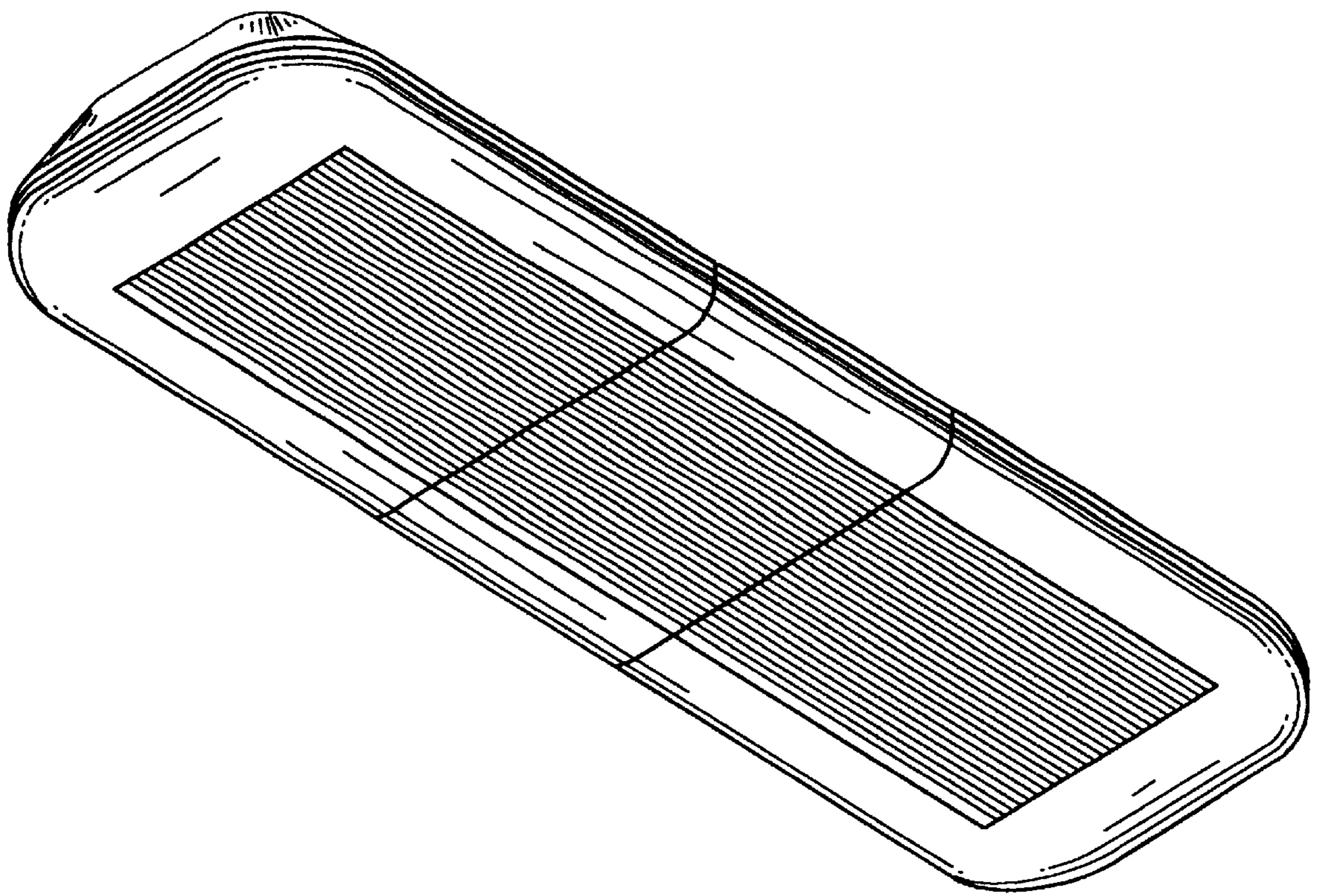
**FIG. 14**



**FIG. 15**



**FIG. 16**



**FIG. 17**