



US00D469709S

(12) **United States Design Patent**  
**Sloot**

(10) **Patent No.:** **US D469,709 S**

(45) **Date of Patent:** **\*\* Feb. 4, 2003**

(54) **BICYCLE SEAT REFLECTOR SET**

(75) Inventor: **Alexander Sloot**, Sugarloaf, PA (US)

(73) Assignee: **Printmark Industries, Inc.**, Hazelton, PA (US)

(\*\*) Term: **14 Years**

(21) Appl. No.: **29/130,262**

(22) Filed: **Sep. 28, 2000**

(51) **LOC (7) Cl.** ..... **10-03**

(52) **U.S. Cl.** ..... **D10/111**

(58) **Field of Search** ..... D6/354; D10/109,  
D10/111; 297/188.01, 195.01, 214; 359/549,  
550, 842, 521-526, 543-545, 871; 224/427;  
280/288.4

(56) **References Cited**

**U.S. PATENT DOCUMENTS**

D74,020 S \* 12/1927 Oestnaes ..... D10/111  
D333,041 S \* 2/1993 Choi et al. .... D6/354

\* cited by examiner

*Primary Examiner*—Antoine Duval Davis

(74) *Attorney, Agent, or Firm*—St.Onge Steward Johnston & Reens LLC

(57) **CLAIM**

The ornamental design for a bicycle seat reflector set, as shown and described.

**DESCRIPTION**

FIG. 1 is a perspective view of a bicycle seat reflector set including a bicycle seat reflector, a zipper pull and a pair of shoelace tags in accordance with the design.

FIG. 2 is a top plan view of a bicycle seat reflector set including a bicycle seat reflector, a zipper pull and a pair of shoelace tags in accordance with the design.

FIG. 3 is a side view with a front face of a bicycle seat reflector set down in accordance with the design.

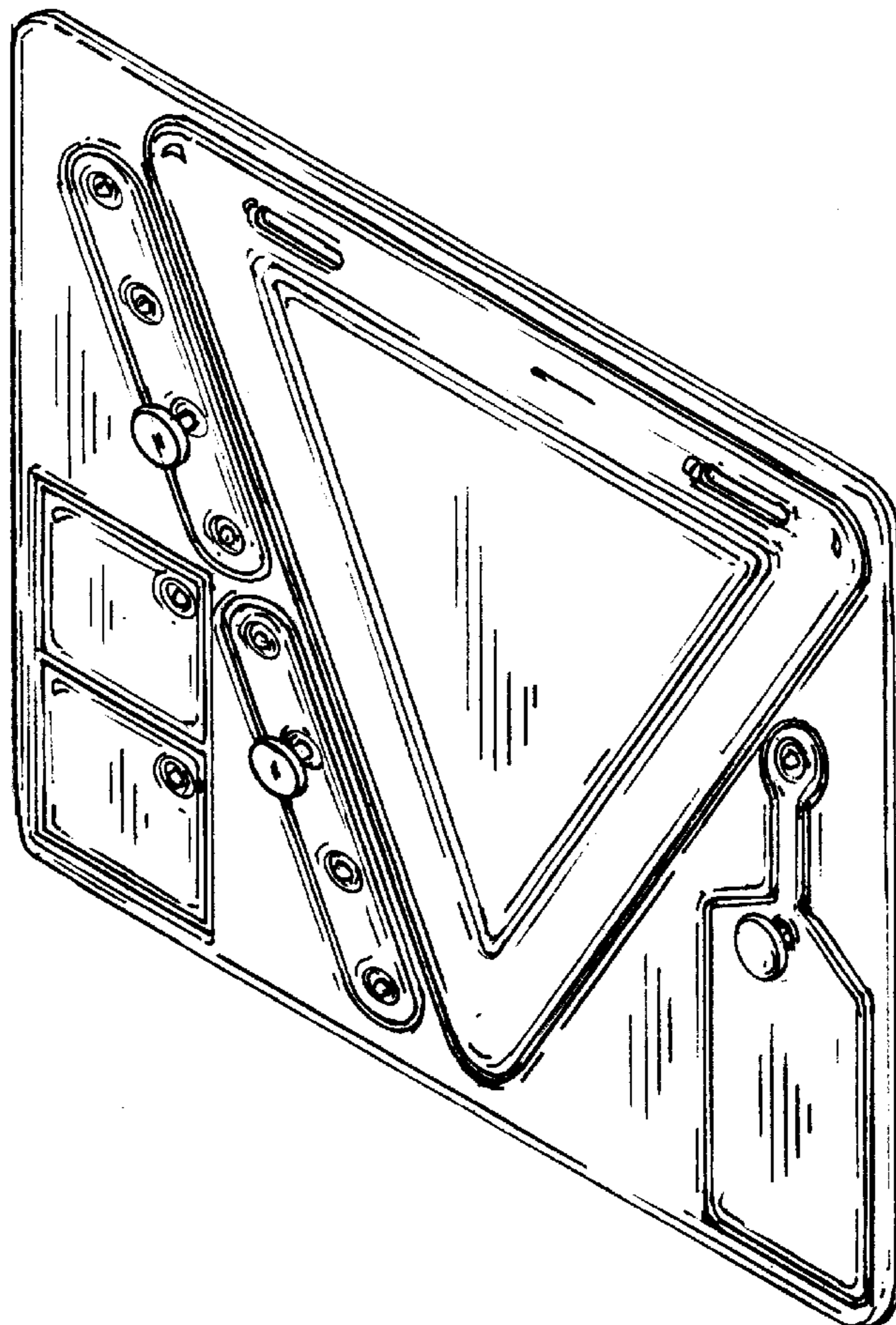
FIG. 4 is a left side view of a bicycle seat reflector set in accordance with the design.

FIG. 5 is a right side view of a bicycle seat reflector set n accordance with the design.

FIG. 6 is a side view with a front face of a bicycle seat reflector set up in accordance with the design; and,

FIG. 7 is a bottom plan view of a bicycle seat reflector including a bicycle seat reflector, a zipper pull and a pair of shoelace tags in accordance with the design.

**1 Claim, 2 Drawing Sheets**



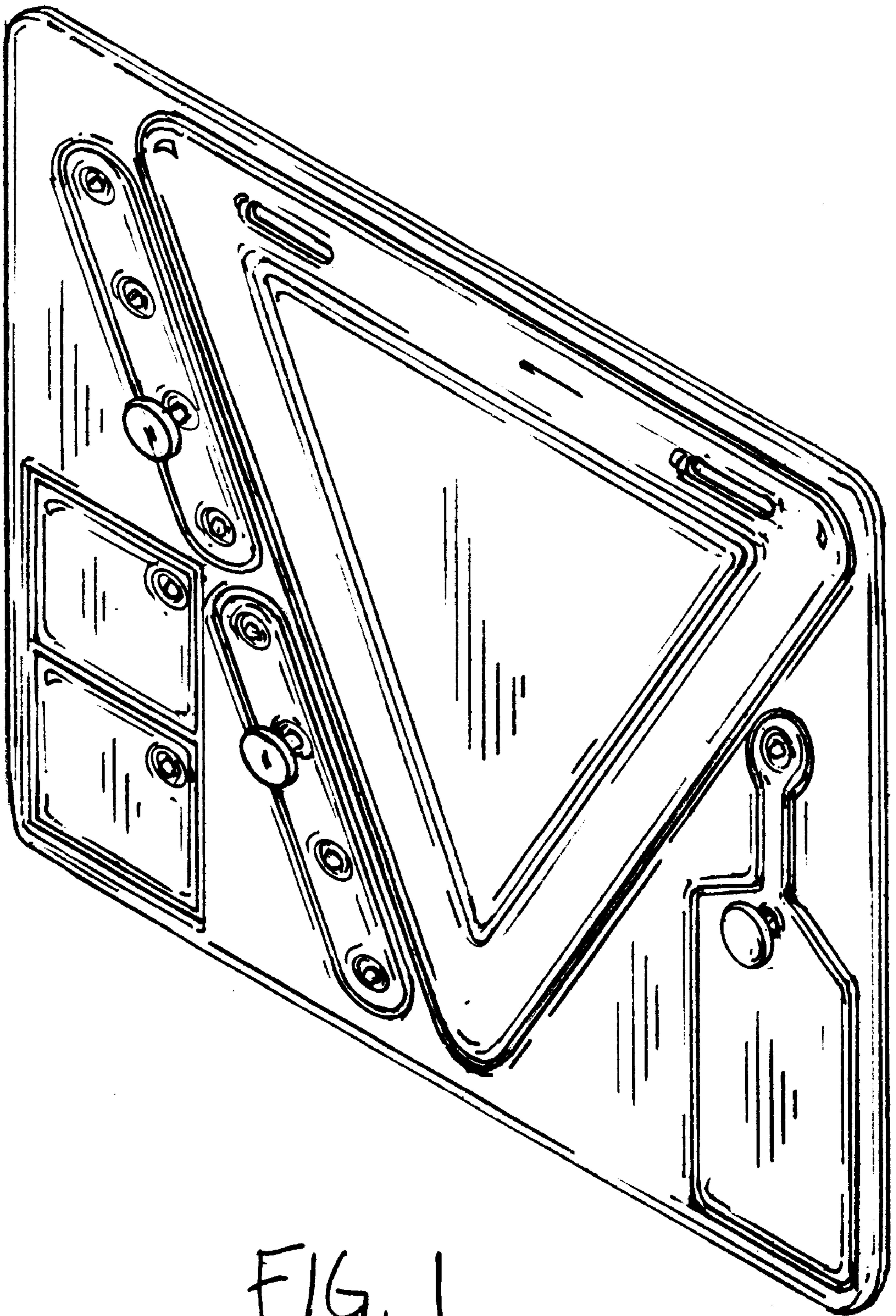


FIG. 1

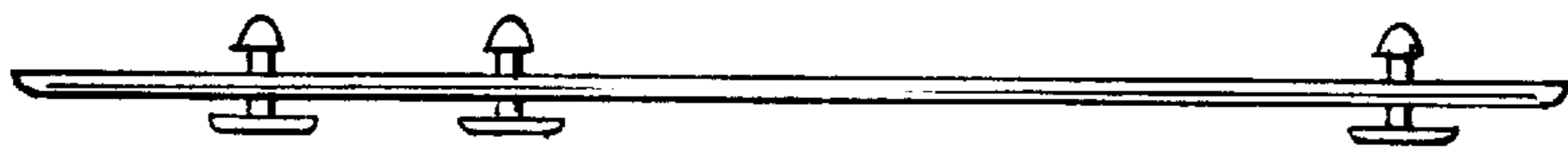


FIG. 3



FIG. 4

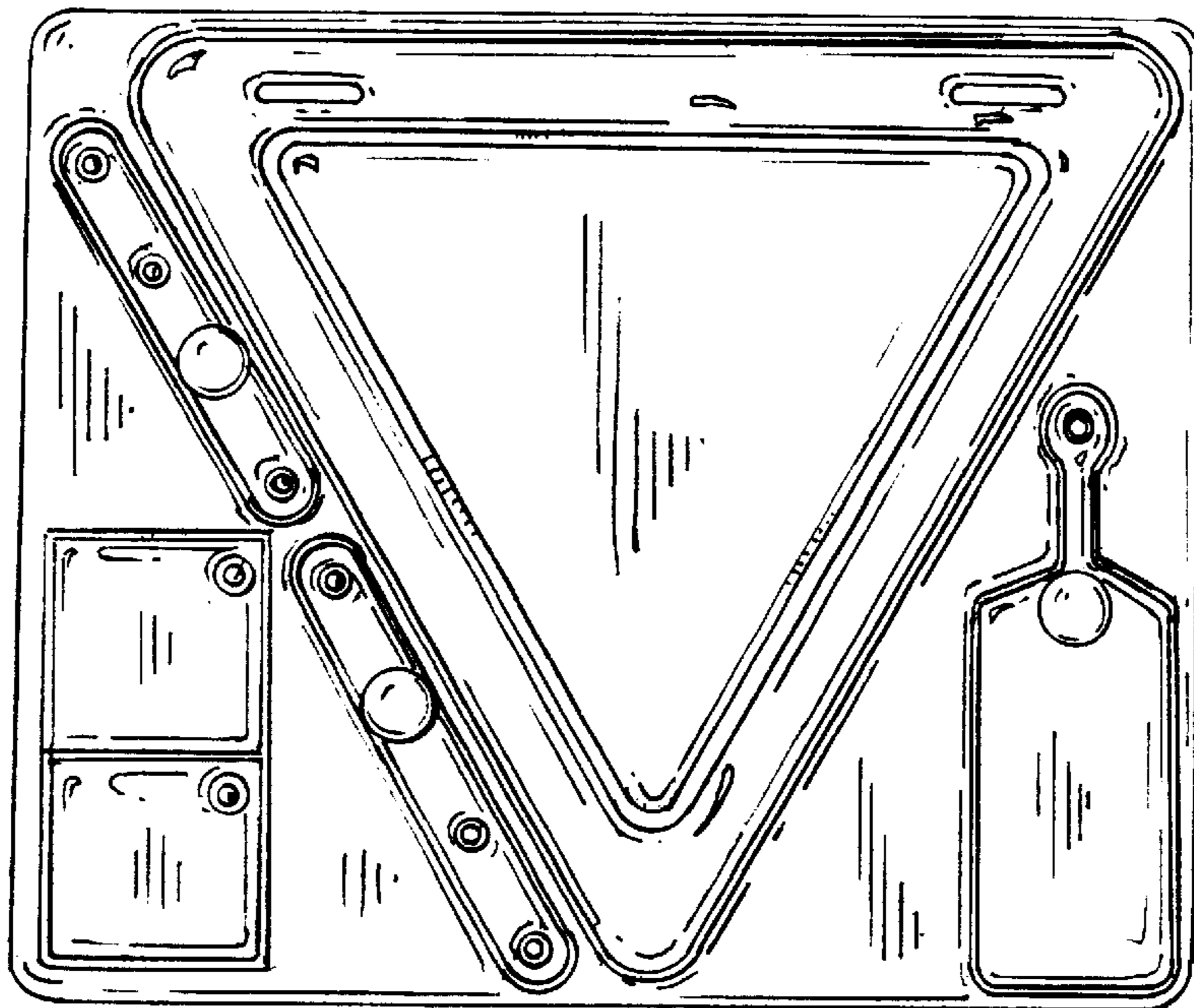


FIG. 2



FIG. 5



FIG. 6

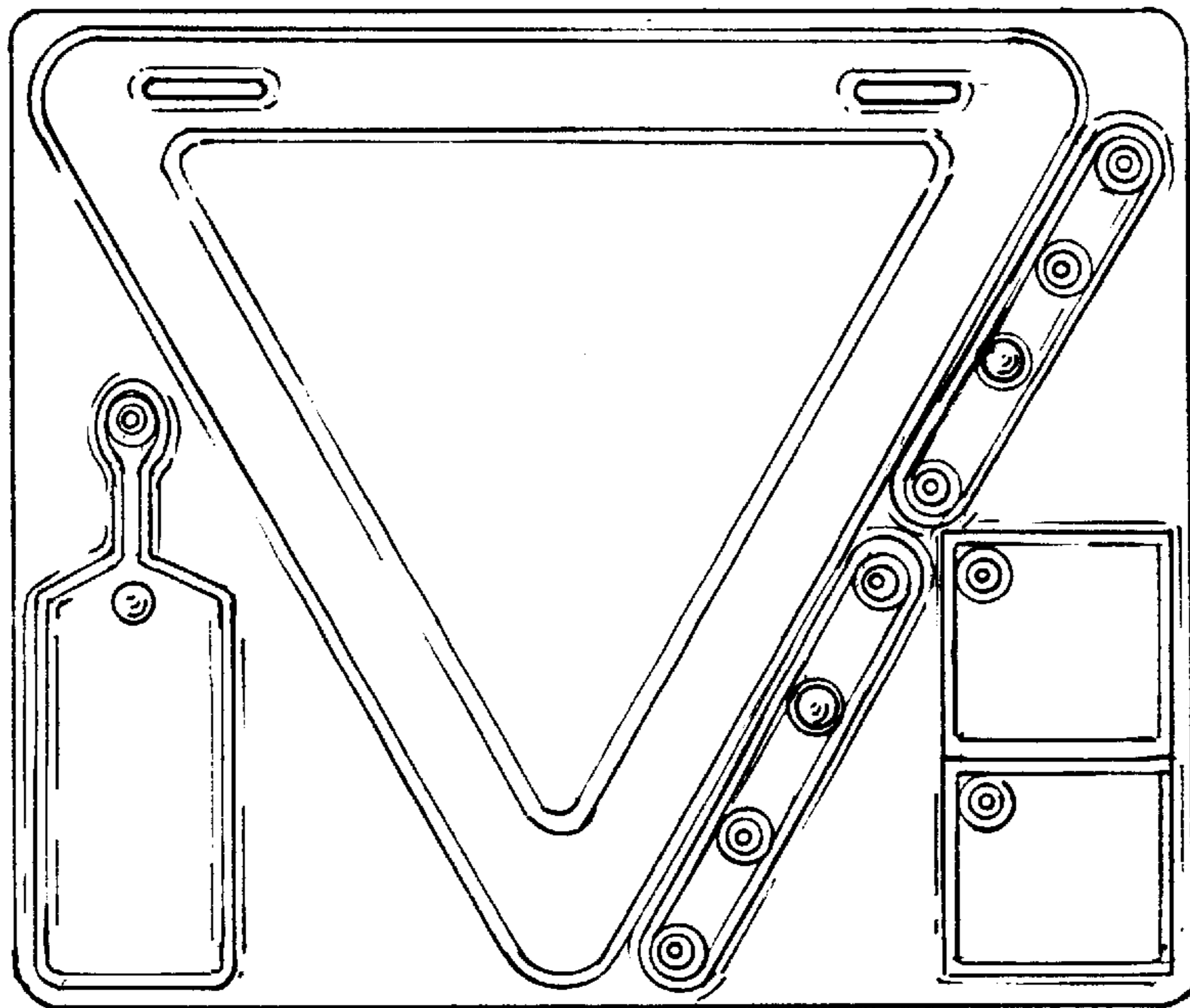


FIG. 7