



US00D469707S

(12) **United States Design Patent**
Schwartz et al.

(10) **Patent No.: US D469,707 S**

(45) **Date of Patent: ** Feb. 4, 2003**

(54) **WATER METER HOUSING**

6,363,782 B1 * 4/2002 Hendey 73/276

(75) Inventors: **Dennis W. Schwartz**, West Bend, WI (US); **Don Faber**, Cedarburg, WI (US); **George De Jarlais**, Wauwatosa, WI (US); **Christopher G. Kocher**, Belleville, IL (US); **Mario P. Gomez**, Ladue, MO (US); **Ildefonso Gonzalez Artigas**, St. Charles, MO (US)

FOREIGN PATENT DOCUMENTS

CA 88129 11/1999

* cited by examiner

Primary Examiner—Antoine Duval Davis
(74) *Attorney, Agent, or Firm*—Quarles & Brady LLP

(73) Assignee: **Badger Meter, Inc.**, Milwaukee, WI (US)

(57) **CLAIM**

The ornamental design for a water meter housing, as shown and described.

(**) Term: **14 Years**

DESCRIPTION

(21) Appl. No.: **29/143,486**

FIG. 1 is a perspective view of a water meter housing showing our new design;

(22) Filed: **Jun. 14, 2001**

FIG. 2 is a top plan view thereof;

(51) **LOC (7) Cl.** **10-04**

FIG. 3 is a first side elevational view thereof;

(52) **U.S. Cl.** **D10/99**

FIG. 4 is a side elevational view of an opposite side from the first side;

(58) **Field of Search** D10/96, 99, 100;
73/195–203, 273, 274

FIG. 5 is a bottom plan view thereof;

FIG. 6 is an inlet end view thereof; and,

FIG. 7 is an outlet end view thereof.

(56) **References Cited**

The broken line showing is for illustrative purposes only and forms no part of the claimed design.

U.S. PATENT DOCUMENTS

D288,673 S * 3/1987 Nolte D10/99

1 Claim, 4 Drawing Sheets

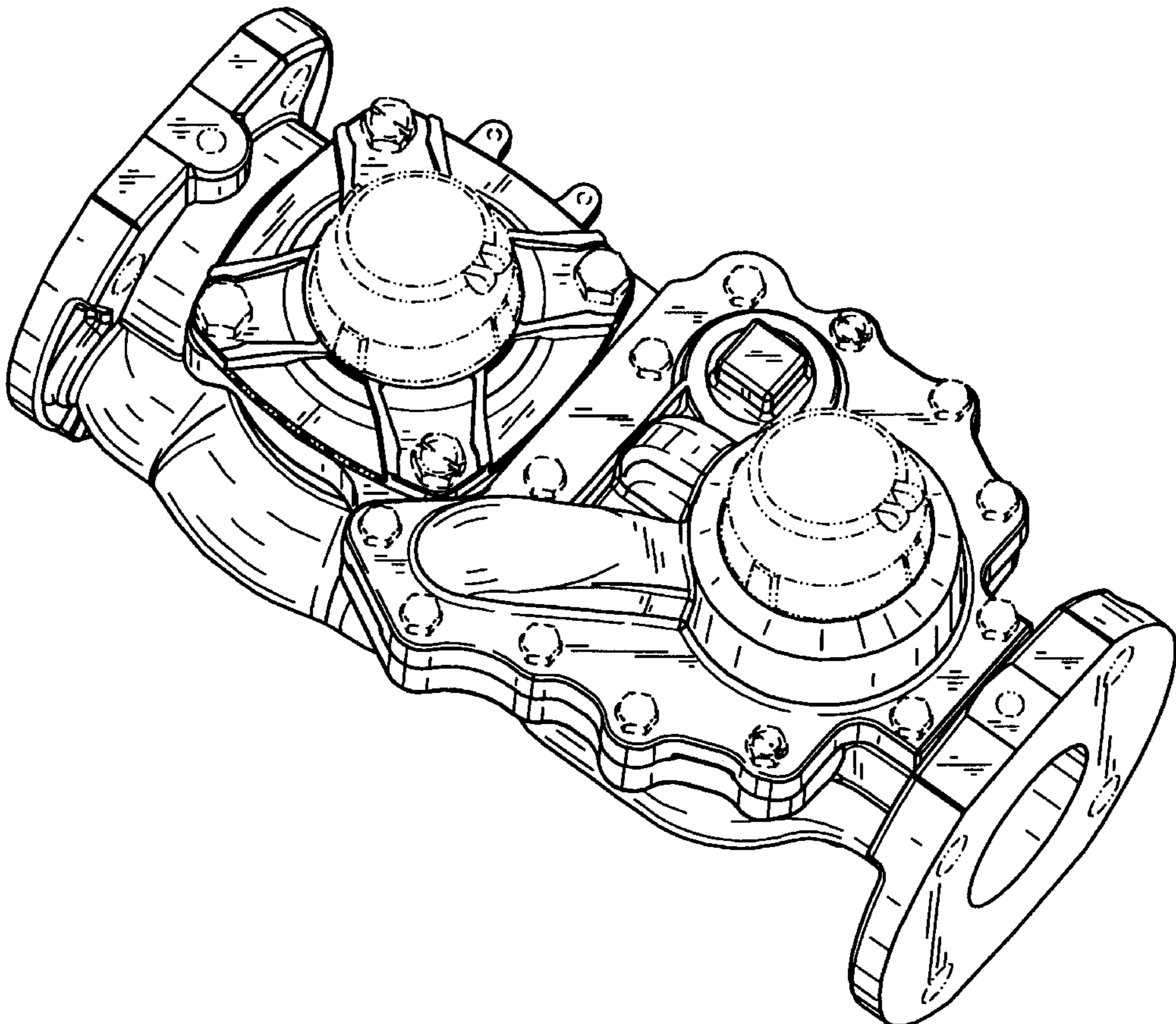


FIG. 1

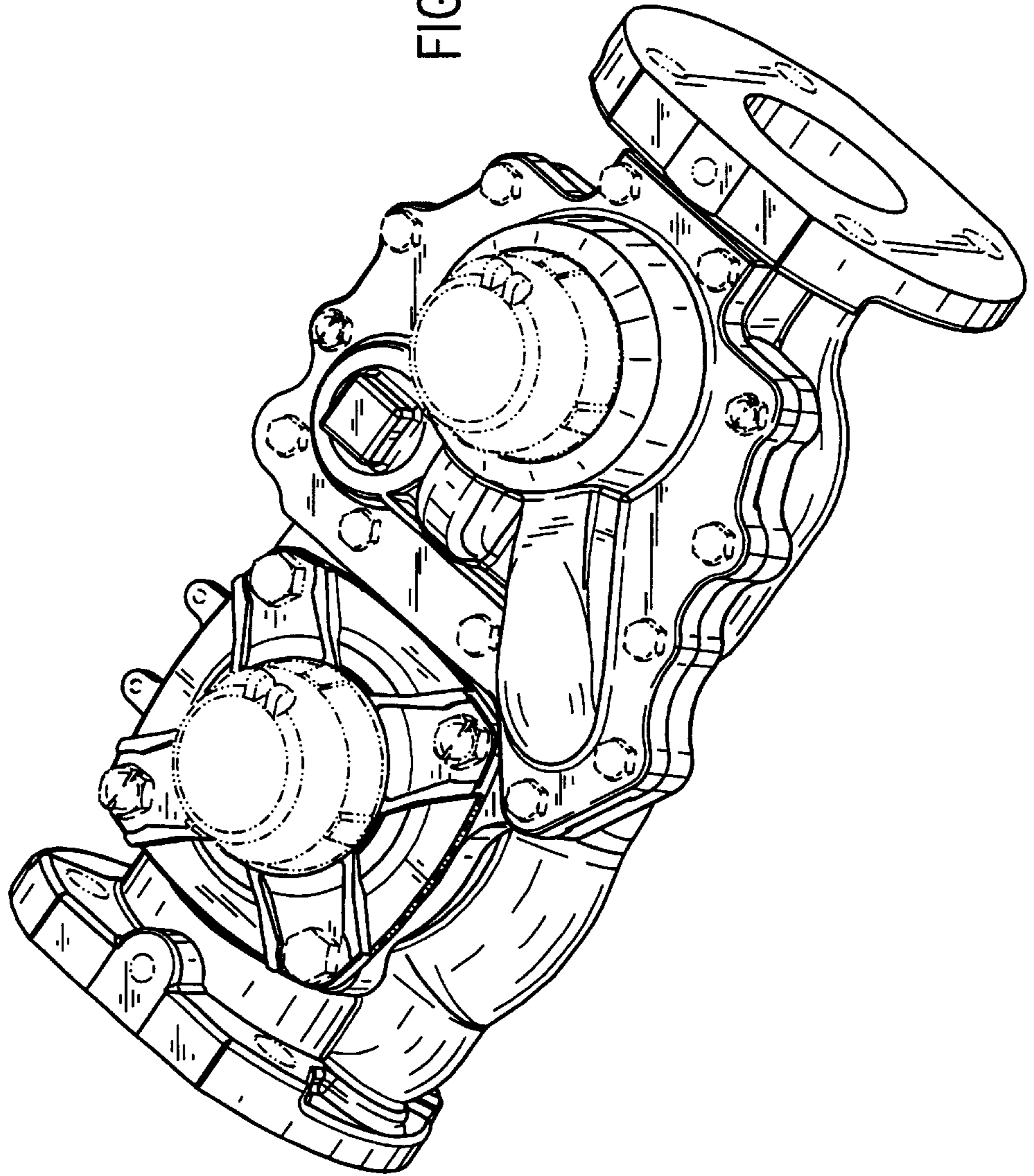


FIG. 2

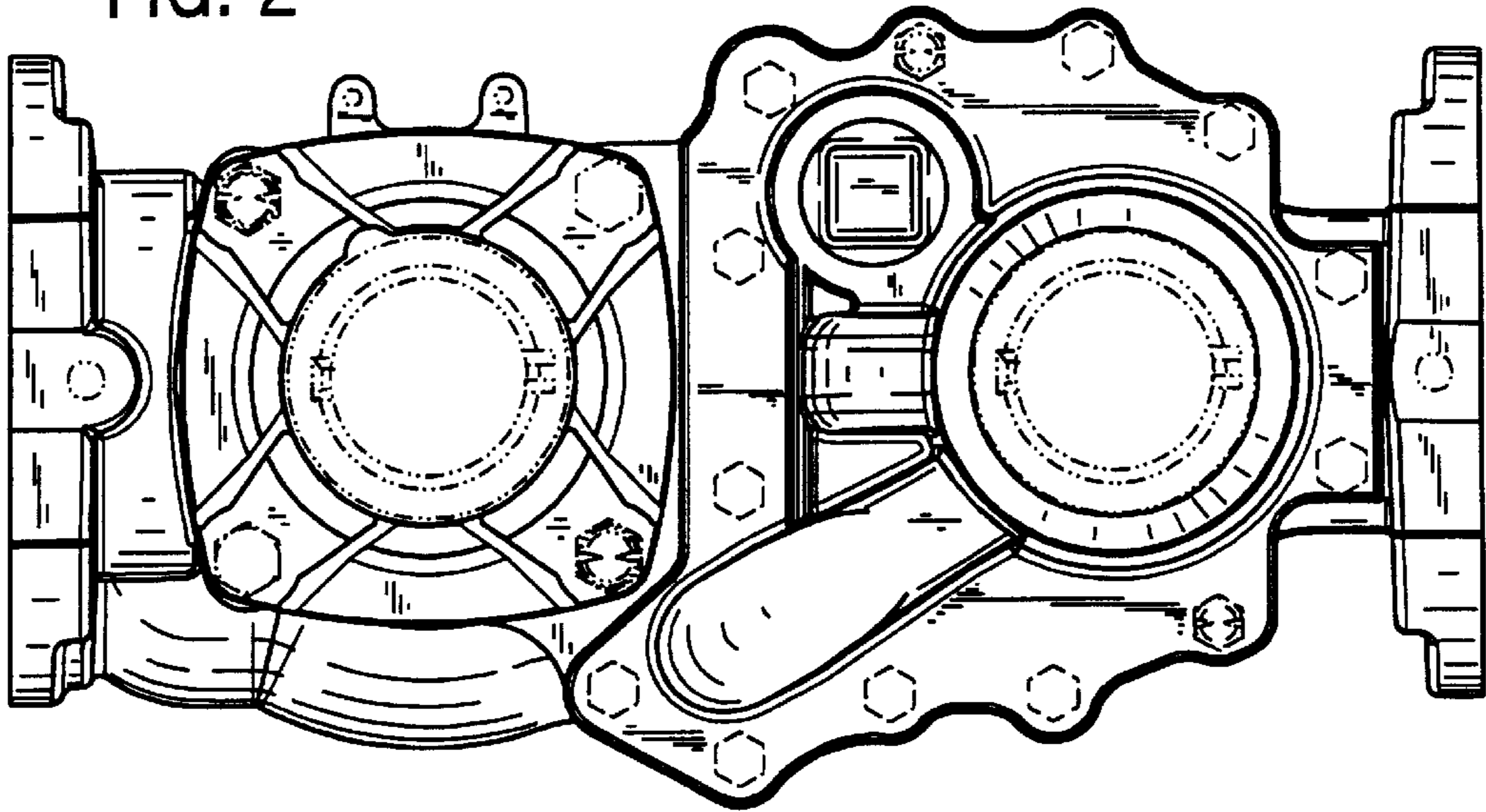


FIG. 3

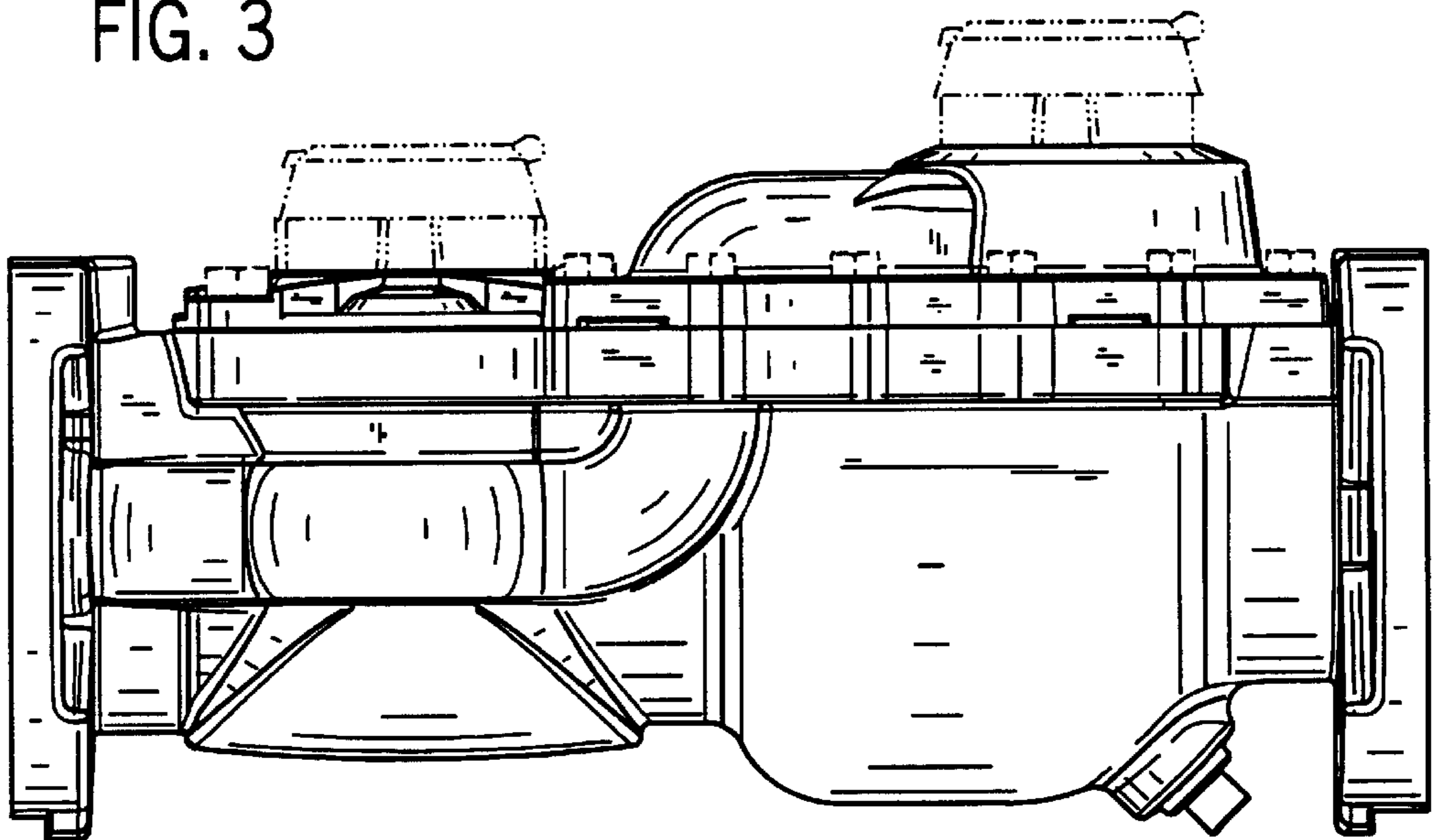


FIG. 6

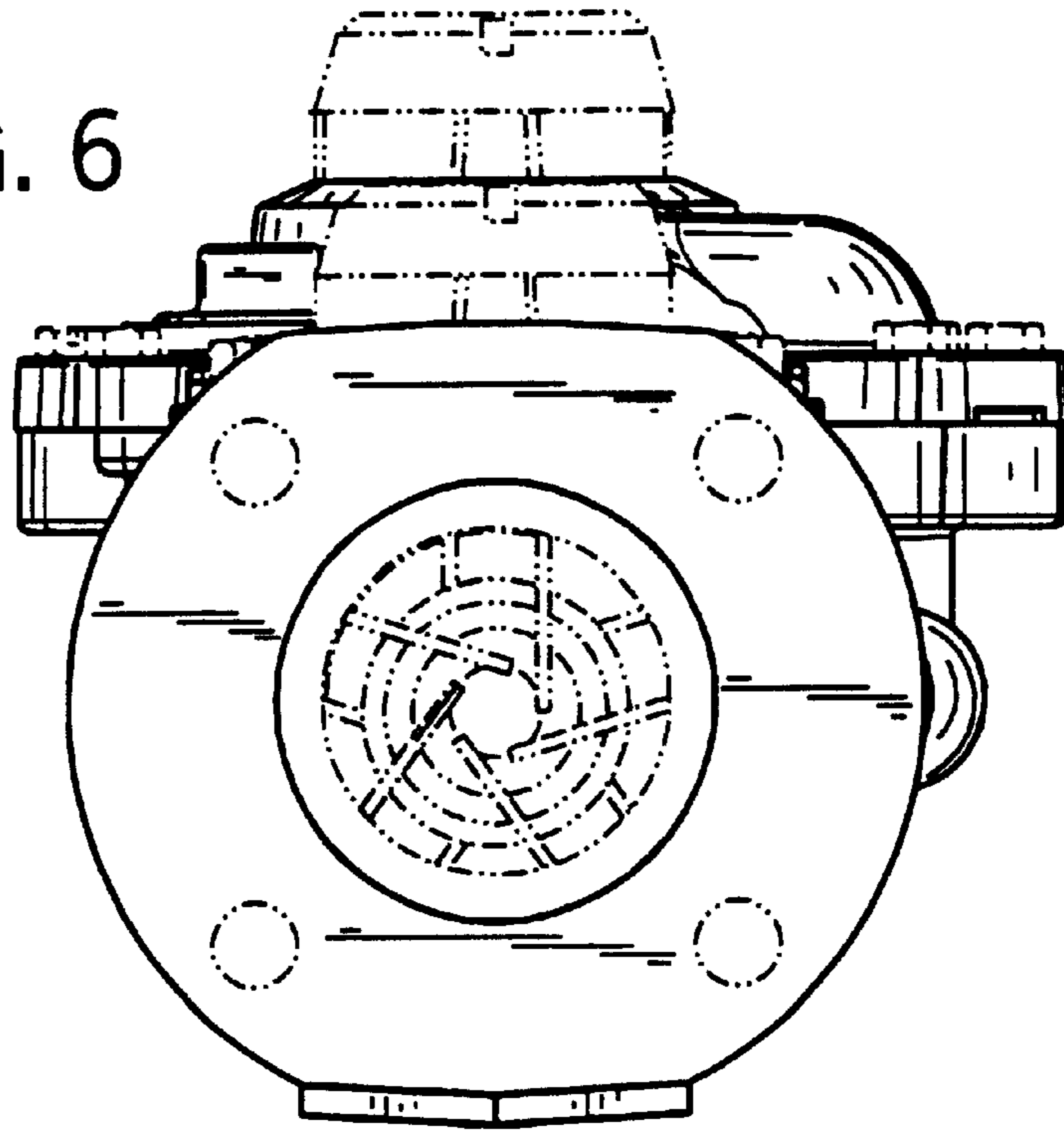


FIG. 7

