



US00D469702S

(12) **United States Design Patent**
Balcom, Jr.

(10) **Patent No.:** **US D469,702 S**

(45) **Date of Patent:** **** Feb. 4, 2003**

(54) **RECEIVER AND TRANSMITTER FOR LOCATING OBJECTS**

(76) **Inventor:** **R. Lee Balcom, Jr.**, 34 Bellevue St., Lawrence, MA (US) 01841

(**) **Term:** **14 Years**

(21) **Appl. No.:** **29/154,930**

(22) **Filed:** **Feb. 1, 2002**

(51) **LOC (7) Cl.** **10-04**

(52) **U.S. Cl.** **D10/65**

(58) **Field of Search** D10/65; 361/394, 361/422, 784; 364/444, 495, 208.1, 450; 367/111, 88, 98, 908; 342/357, 419, 457; 343/878, 702

(56) **References Cited**

U.S. PATENT DOCUMENTS

D417,201 S * 11/1999 Davis D10/65 X
D453,693 S * 2/2002 Schumacher et al. D10/65

* cited by examiner

Primary Examiner—Antoine Duval Davis

(57) **CLAIM**

The ornamental design for a receiver and transmitter for locating objects, as shown and described.

DESCRIPTION

FIG. 1 is a front elevational view of a receiver and transmitter for locating objects showing my new design;

FIG. 2 is a rear elevational view thereof;

FIG. 3 is a side view, taken from the left side of FIG. 1;

FIG. 4 is a side view, taken from the right side of FIG. 1;

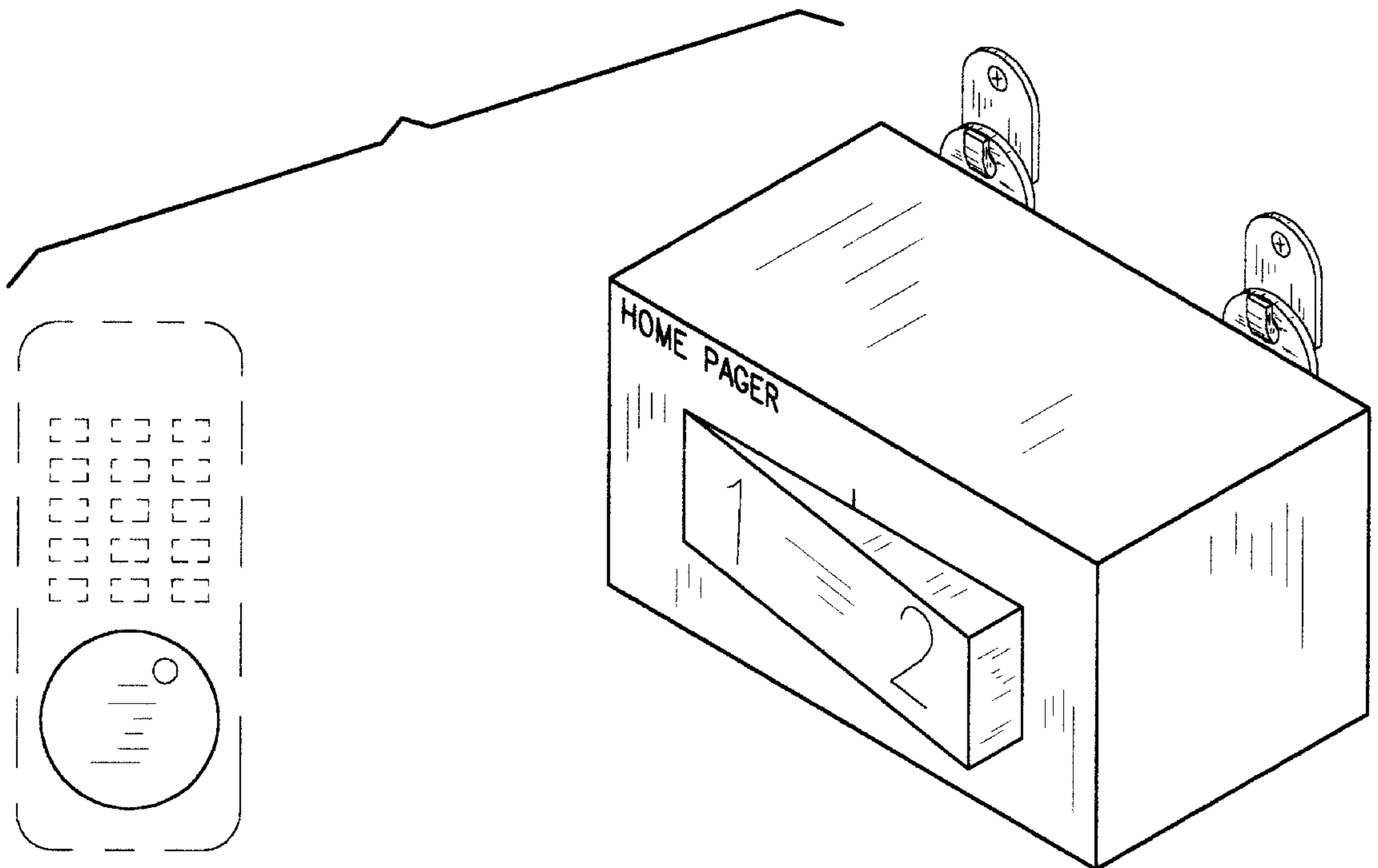
FIG. 5 is a top plan view thereof;

FIG. 6 is a bottom plan view thereof; and,

FIG. 7 is a perspective view thereof.

The broken line showing a remote control unit in FIG. 7 is for illustrative purposes only and forms no part of the claimed design.

1 Claim, 5 Drawing Sheets



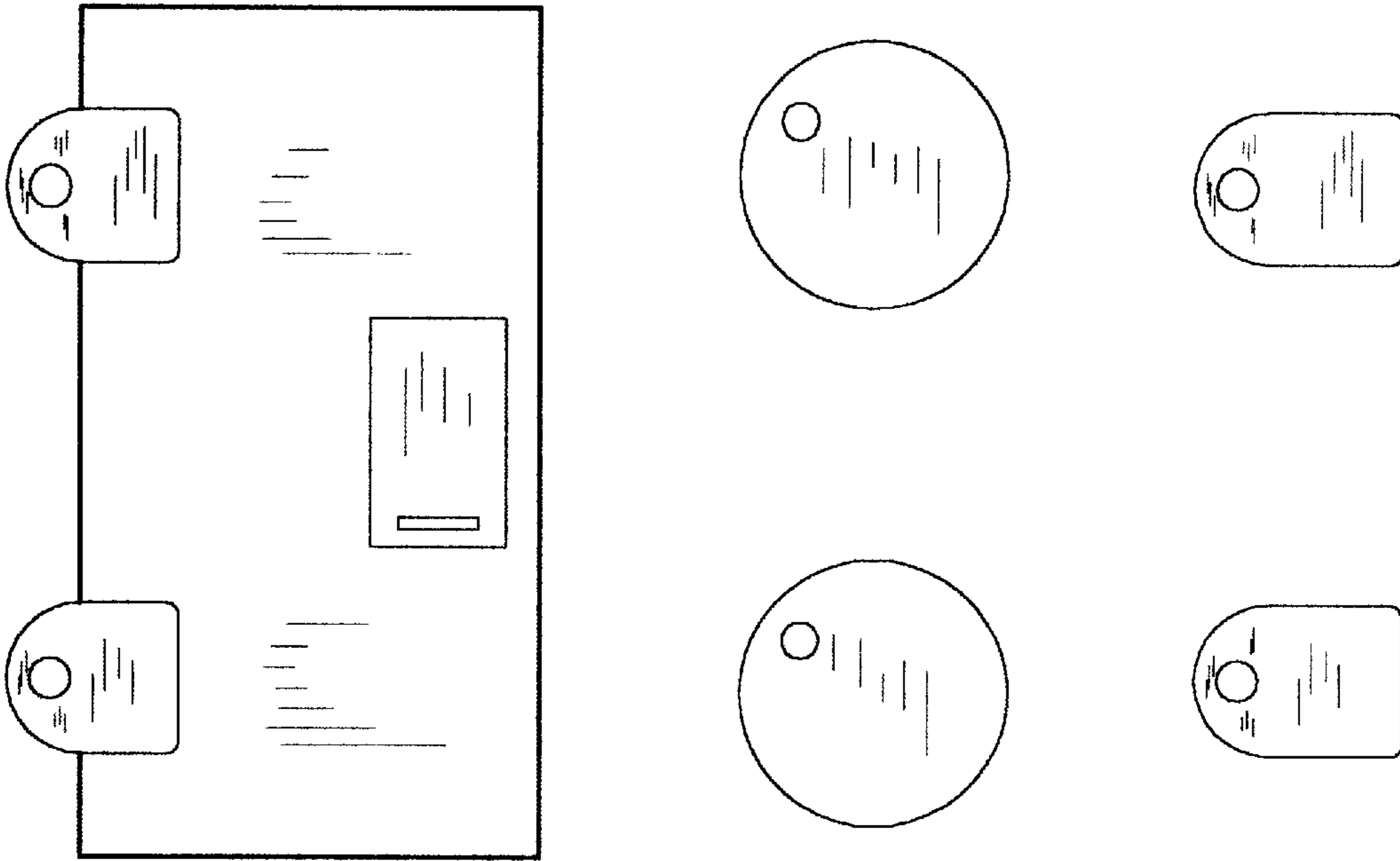


FIG. 1

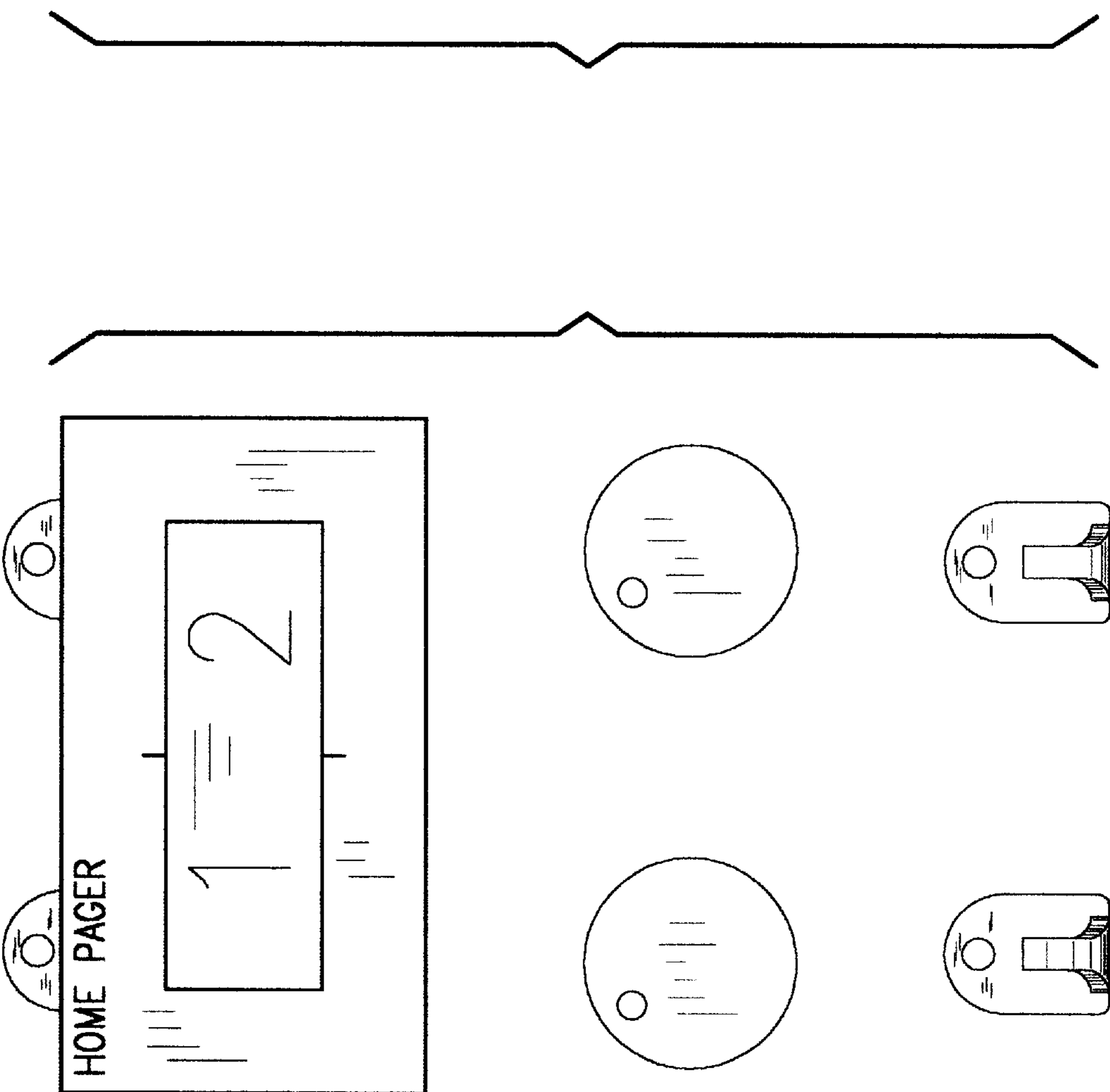


FIG. 2

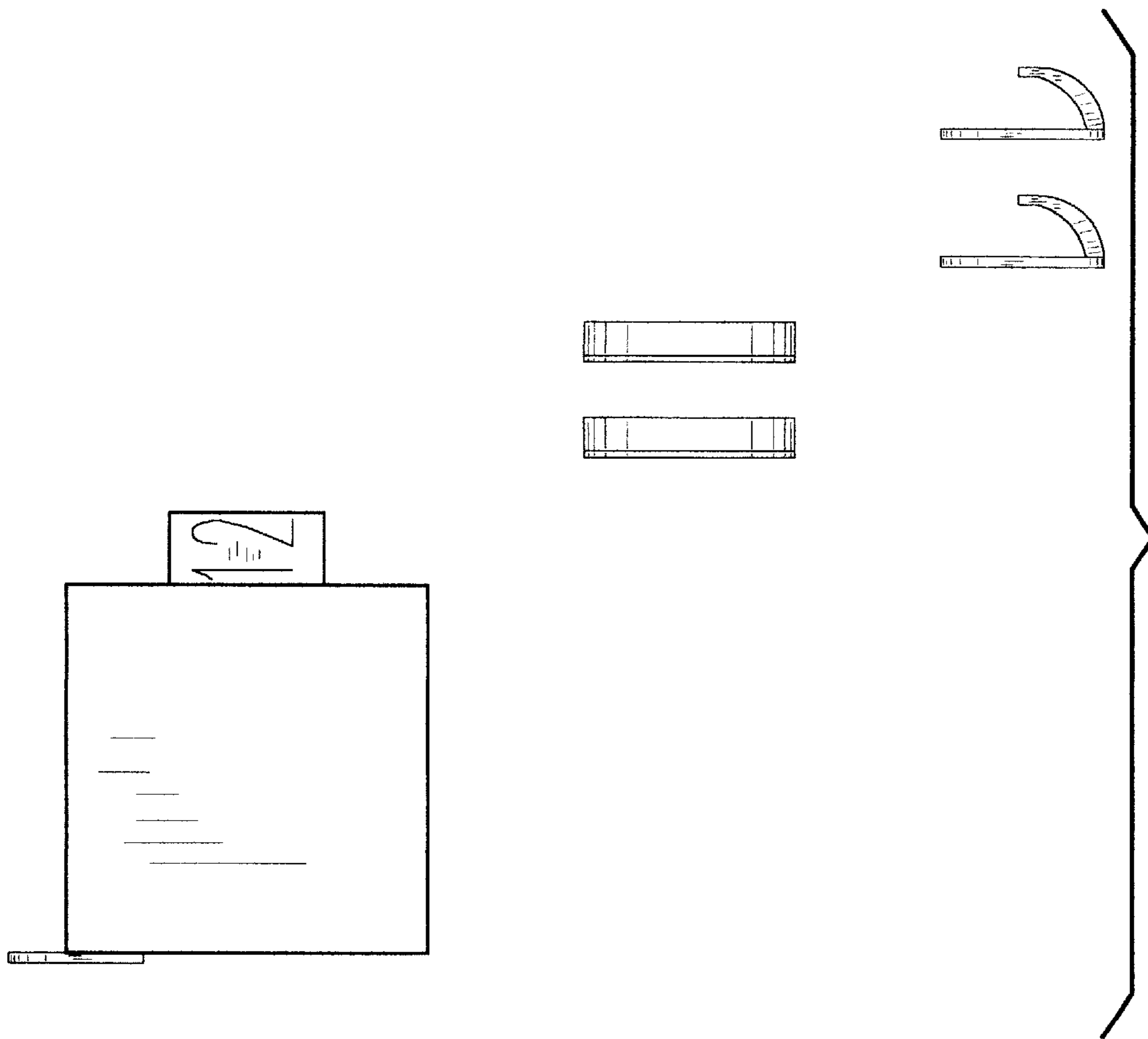


FIG. 3

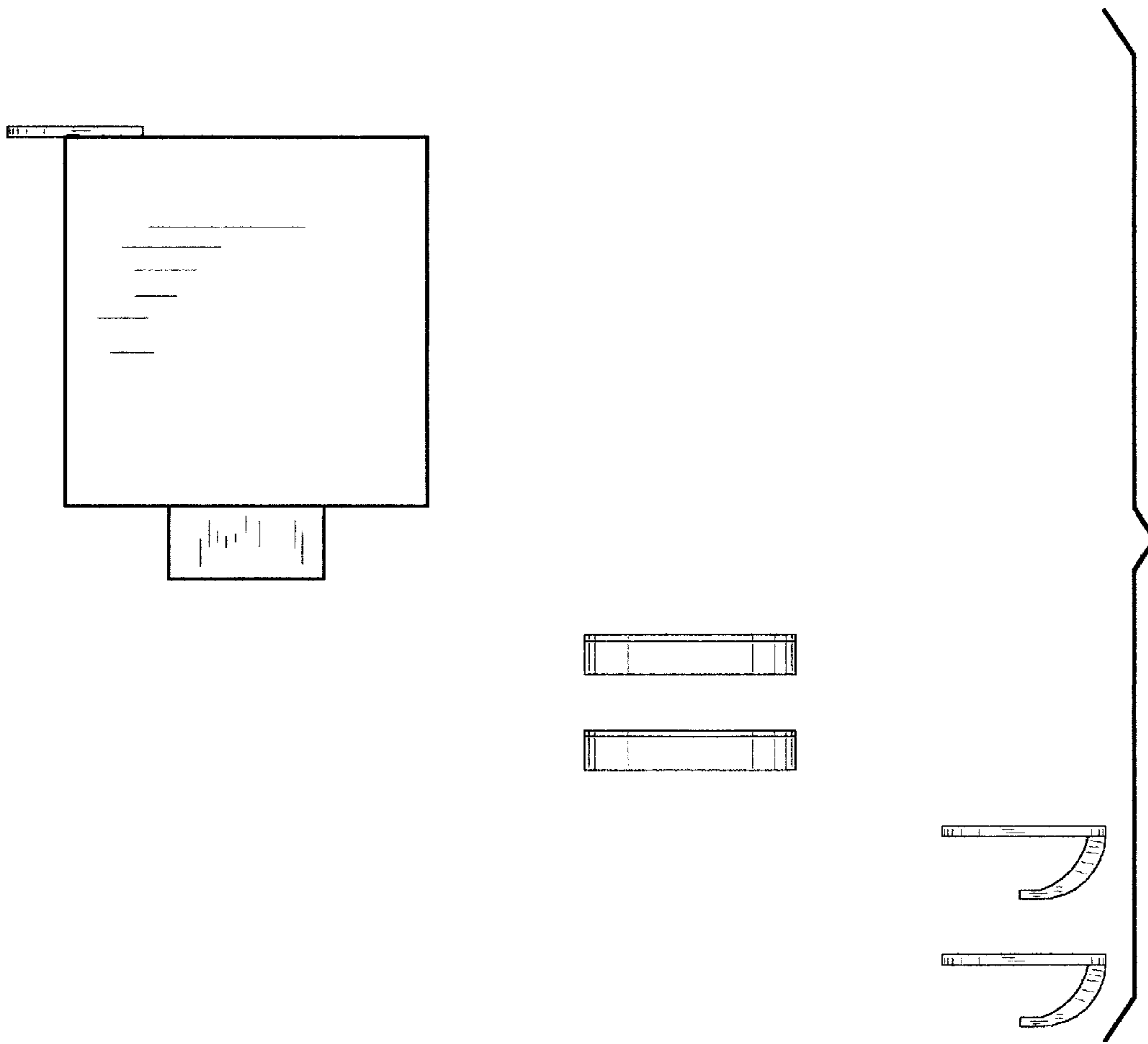


FIG. 4

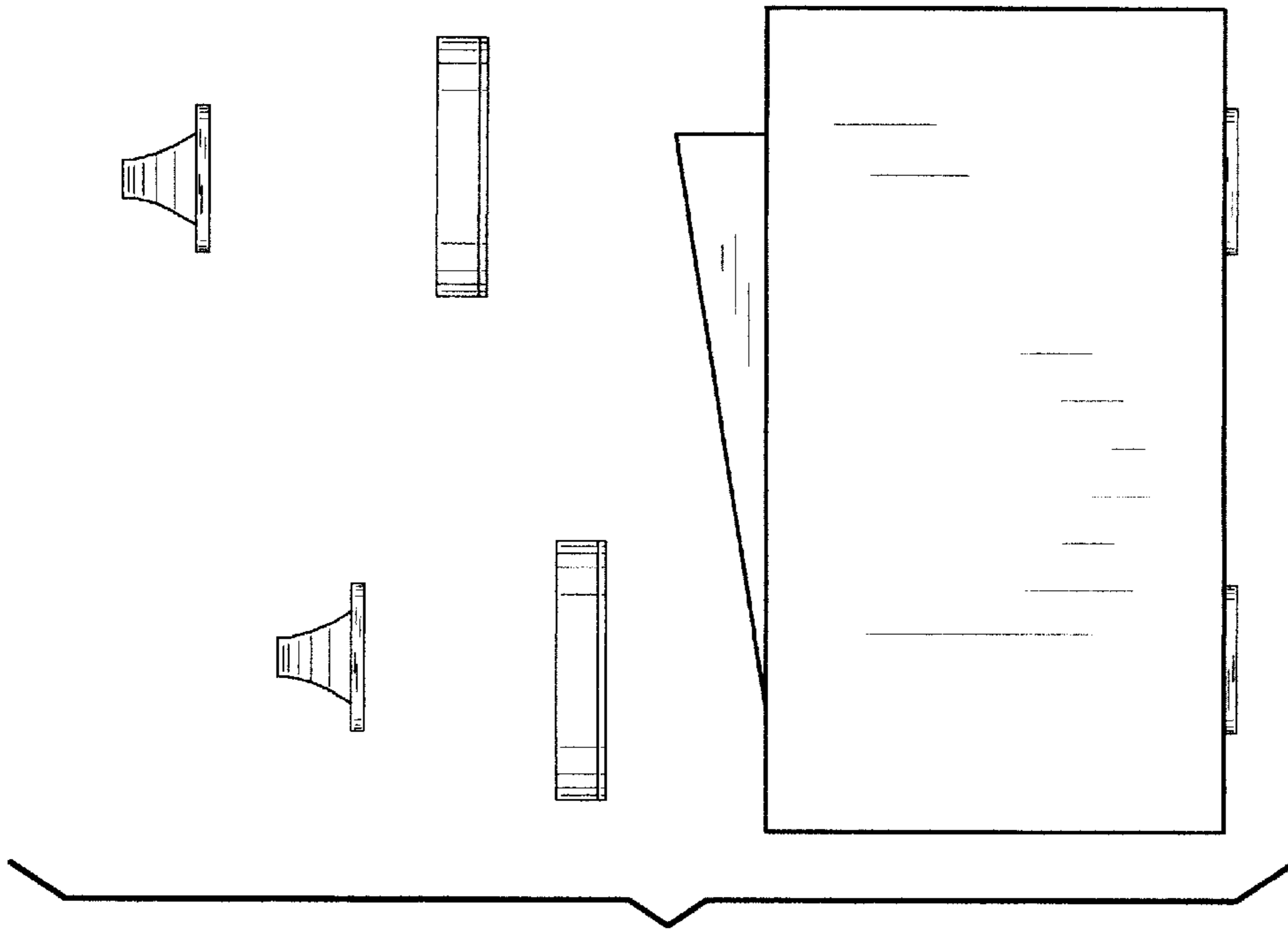


FIG. 6

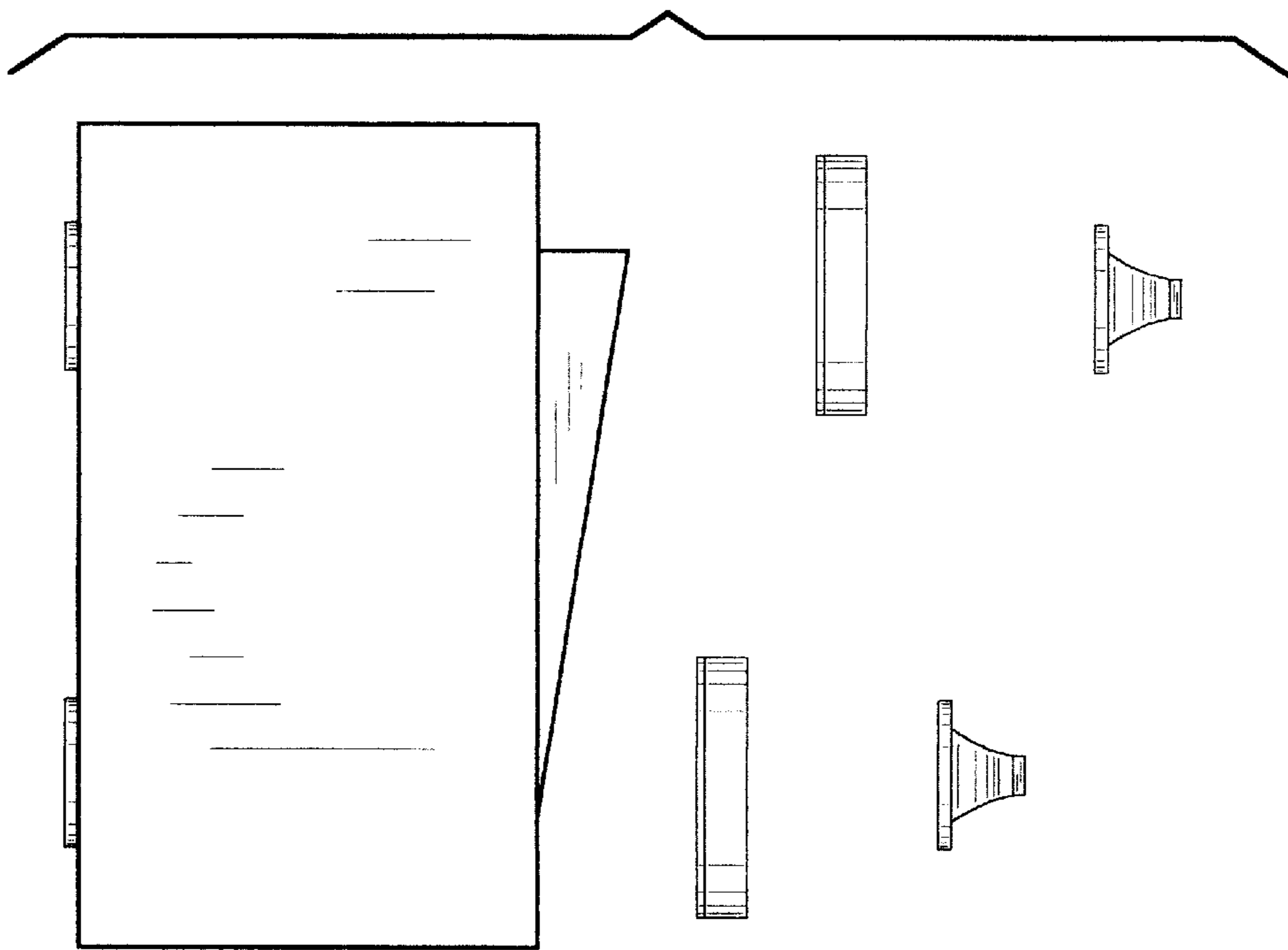


FIG. 5

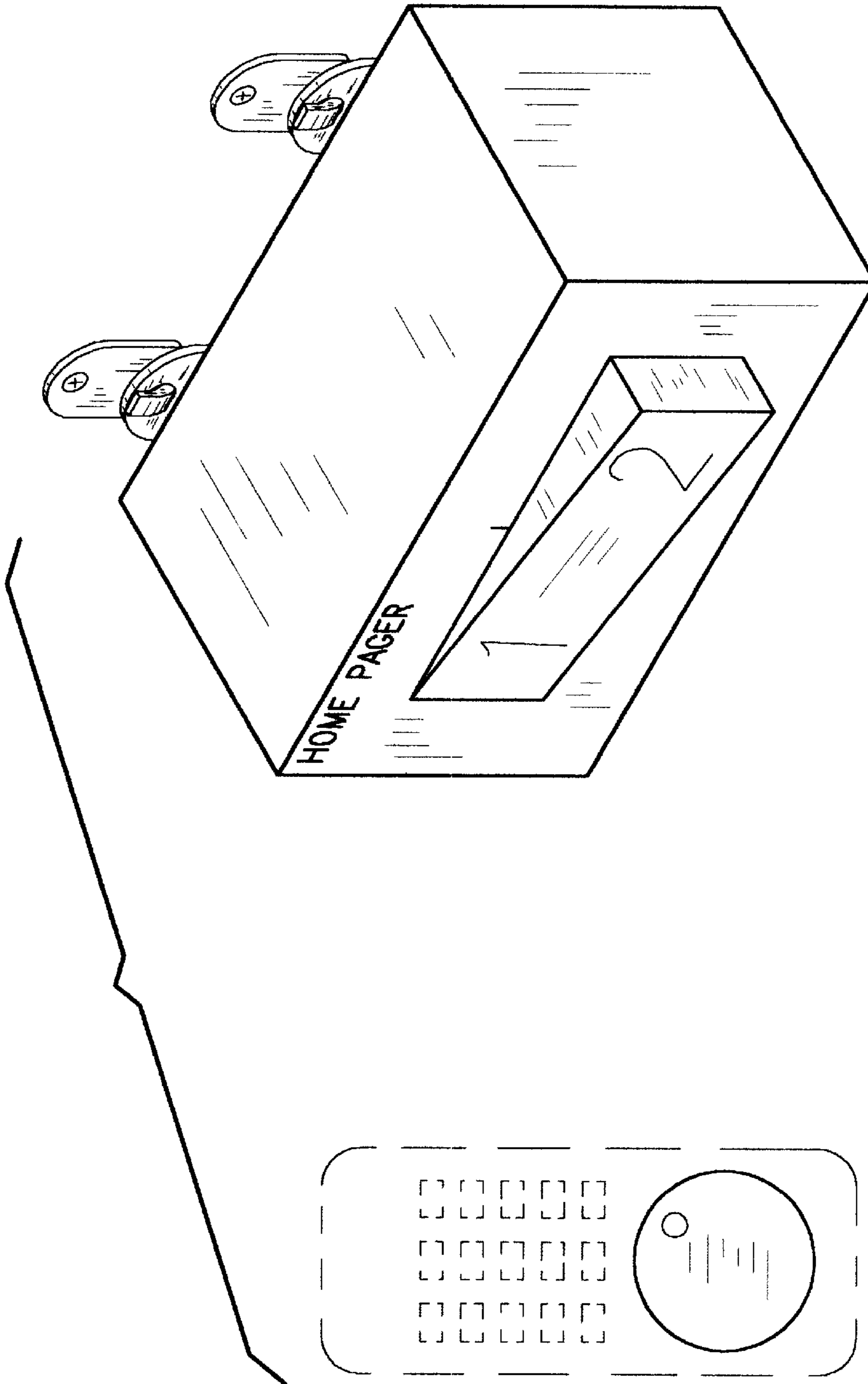


FIG. 7