



US00D469701S

(12) **United States Design Patent**
Safronchik et al.

(10) **Patent No.:** **US D469,701 S**

(45) **Date of Patent:** **** Feb. 4, 2003**

(54) **THERMOMETER WITH STATIC CLING
SECURING MEANS**

(74) *Attorney, Agent, or Firm*—Carella Byrne Bain
Gilfillan Cecchi et al.; William Squire

(75) **Inventors:** **Valery Safronchik**, Staten Island, NY
(US); **Charles J. Kowalski**,
Ridgewood, NJ (US)

(57) **CLAIM**

The ornamental design for thermometer with static cling
securing means, as shown and described.

(73) **Assignee:** **Springfield Precision Instruments**,
Wood-Ridge, NJ (US)

DESCRIPTION

(**) **Term:** **14 Years**

FIG. 1 is a top right isometric representation showing the
new design;

(21) **Appl. No.:** **29/146,356**

FIG. 2 is a front view thereof;

(22) **Filed:** **Aug. 8, 2001**

FIG. 3 is a rear view thereof;

(51) **LOC (7) Cl.** **10-04**

FIG. 4 is a left side view thereof; the right side view being
a mirror image;

(52) **U.S. Cl.** **D10/58; D10/57**

FIG. 5 is a top view thereof; and

(58) **Field of Search** **D10/57, 58; 374/206,**
374/208

FIG. 6 is bottom view.

FIGS. 7–9 are views of a second embodiment wherein:

(56) **References Cited**

U.S. PATENT DOCUMENTS

D385,204 S * 10/1997 Steinhagen et al. D10/57

FIG. 7 is a top right isometric representation;

FIG. 8 is a front view thereof, and

FIG. 9 is a back view thereof.

FIGS. 10–12 are views of a third embodiment wherein:

FIG. 10 is a right top isometric view thereof;

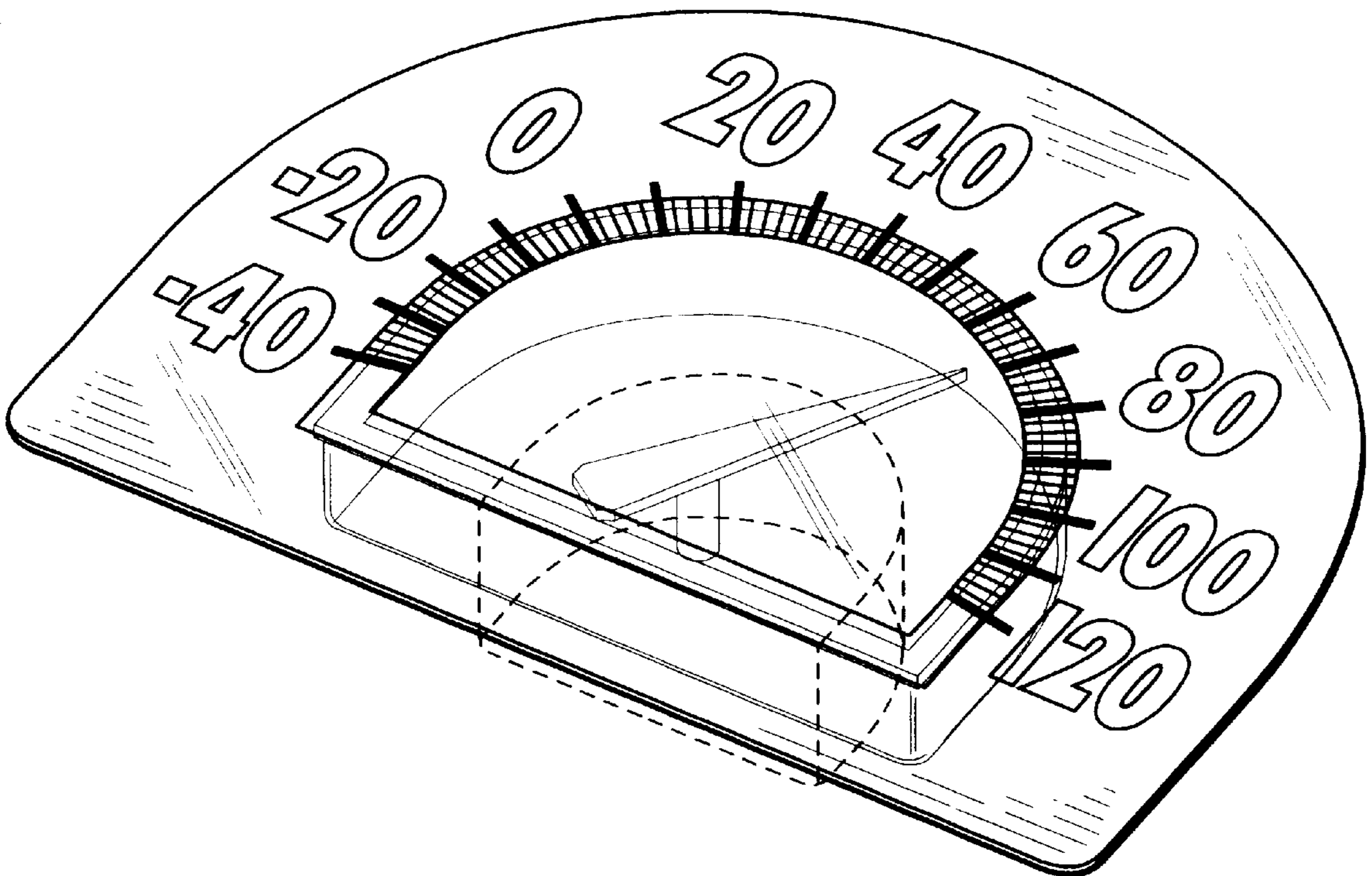
FIG. 11 is a front view thereof; and,

FIG. 12 is a back view thereof.

* cited by examiner

Primary Examiner—Antoine Duval Davis

1 Claim, 7 Drawing Sheets



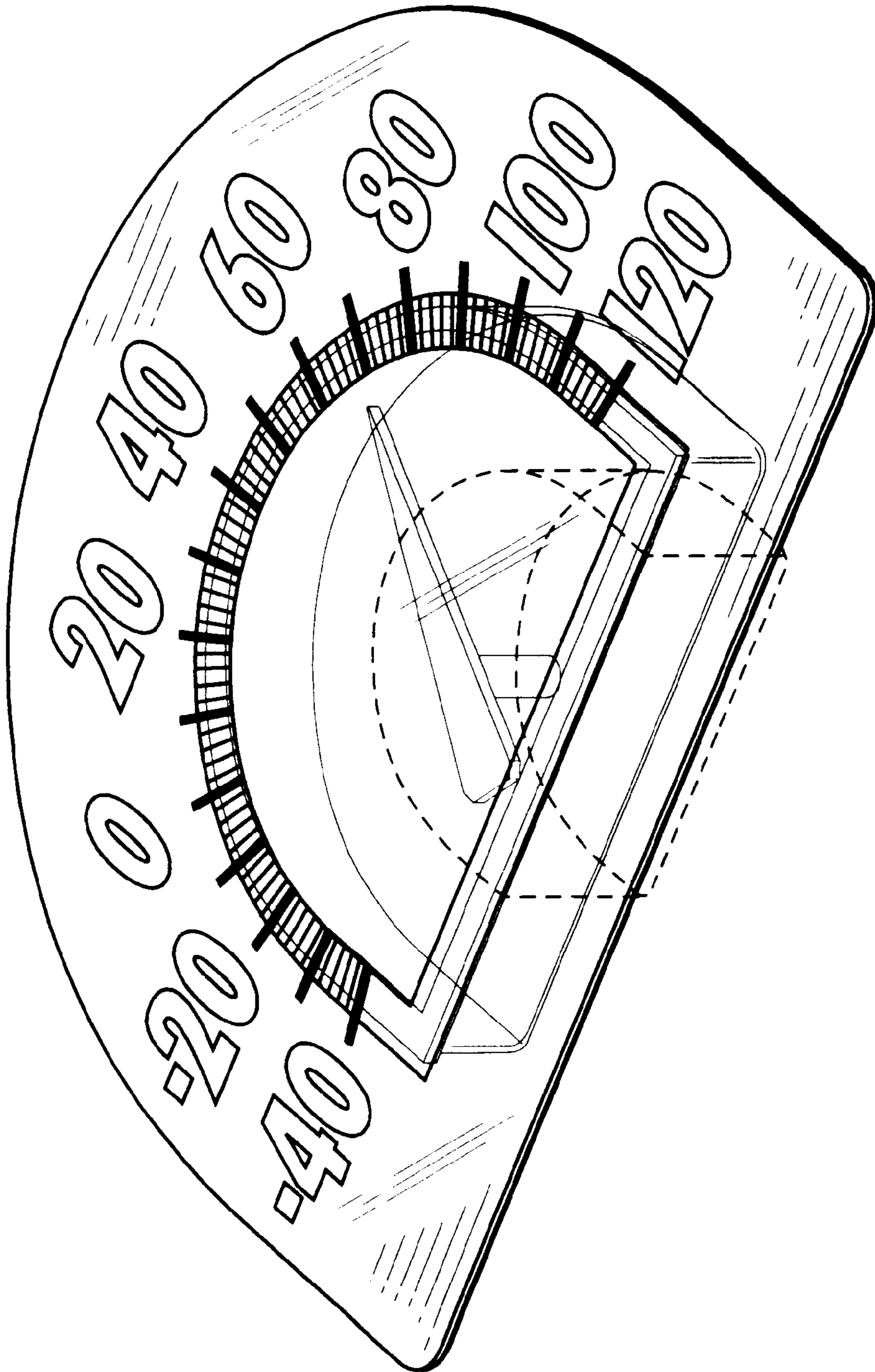


FIG. 1

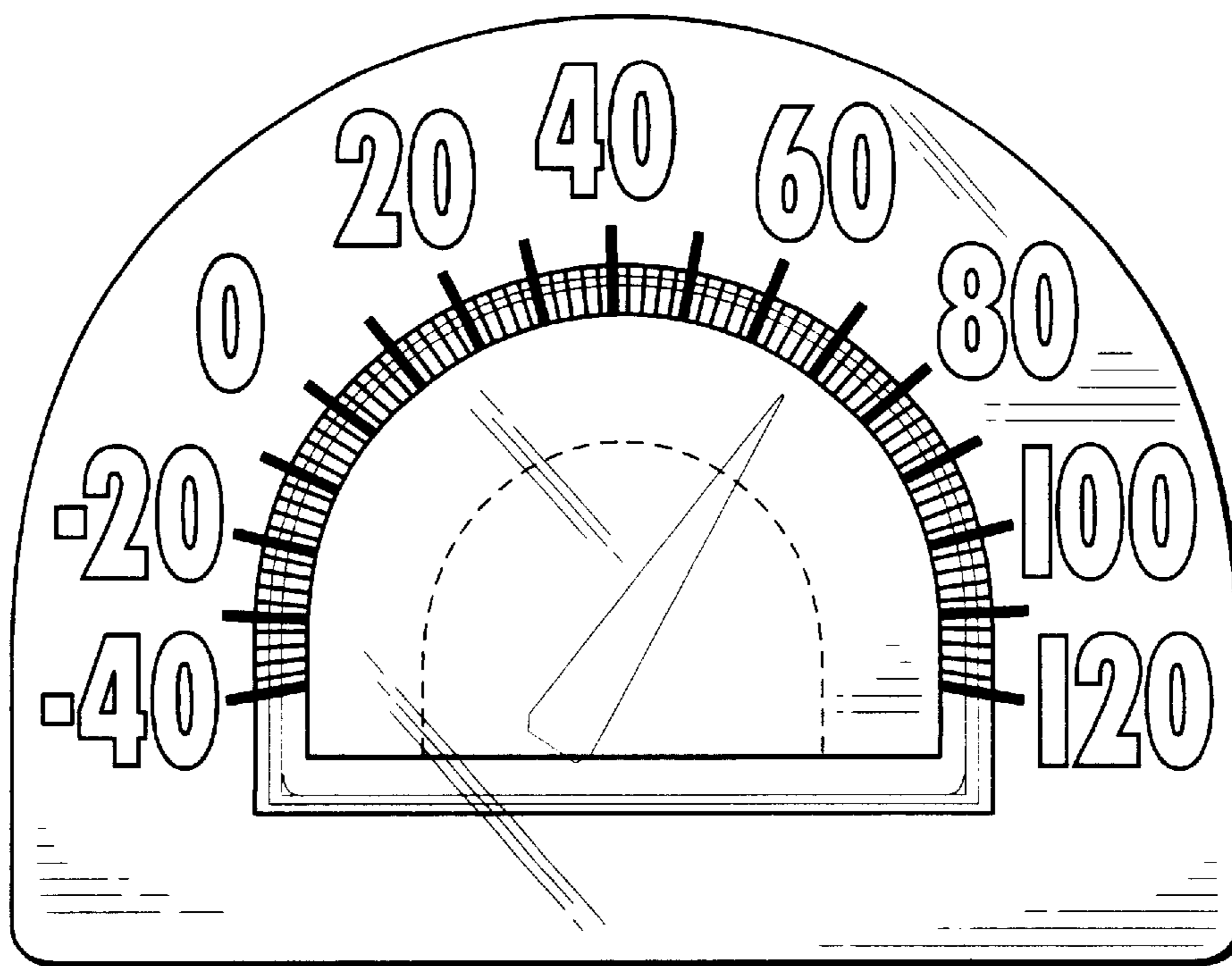


FIG. 2

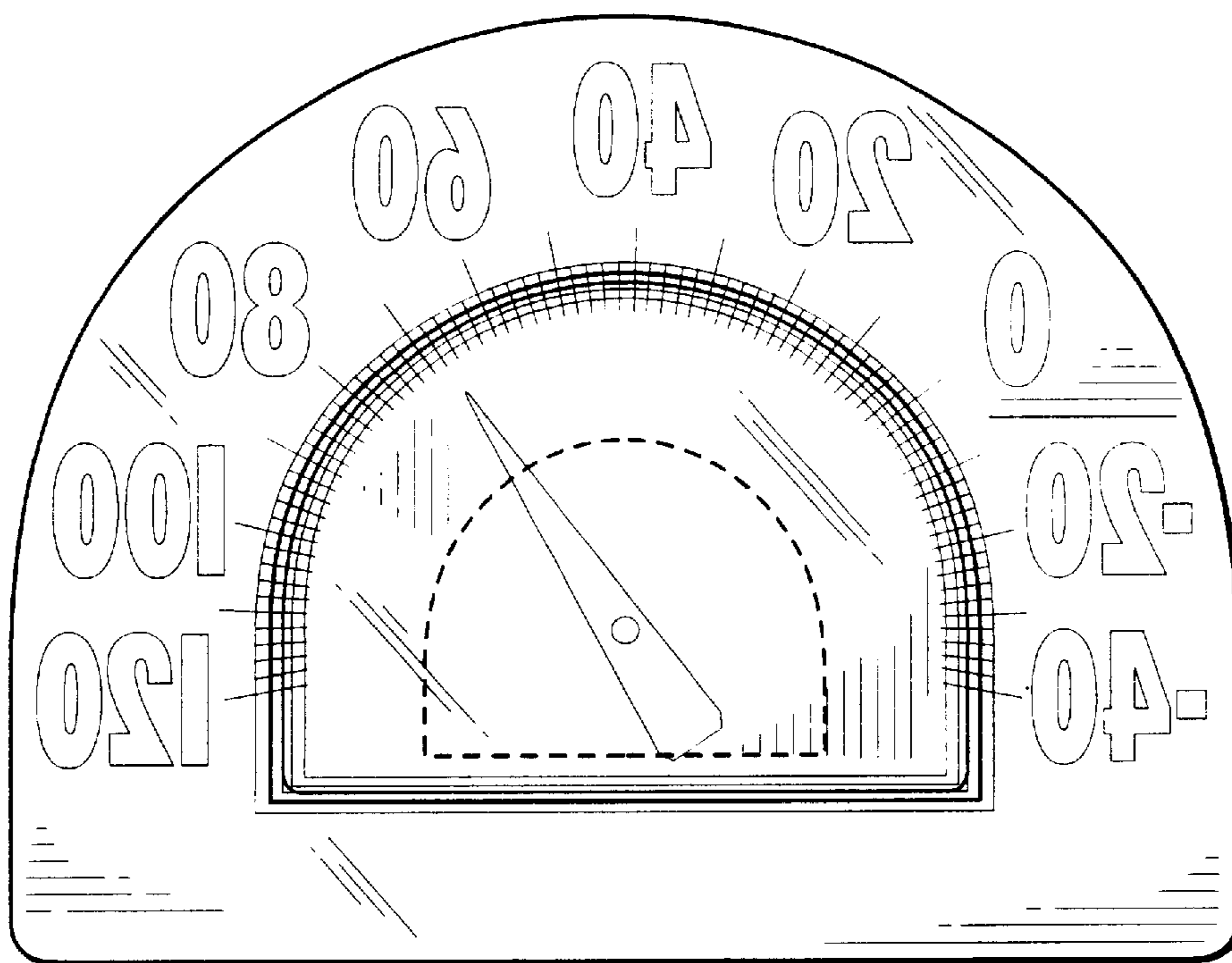


FIG. 3

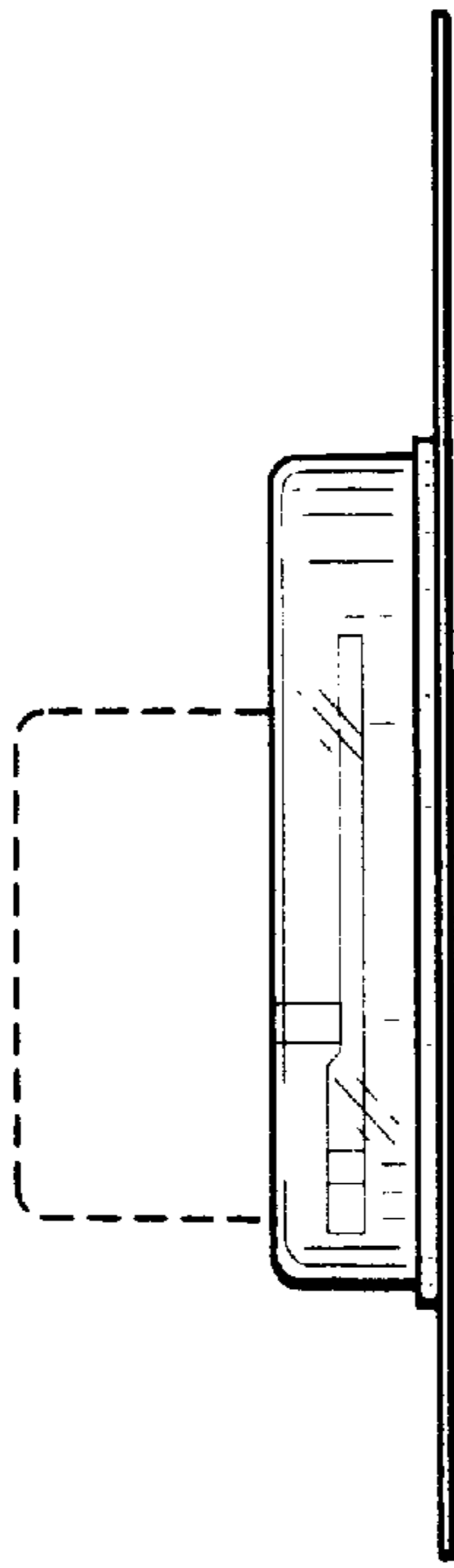


FIG. 4

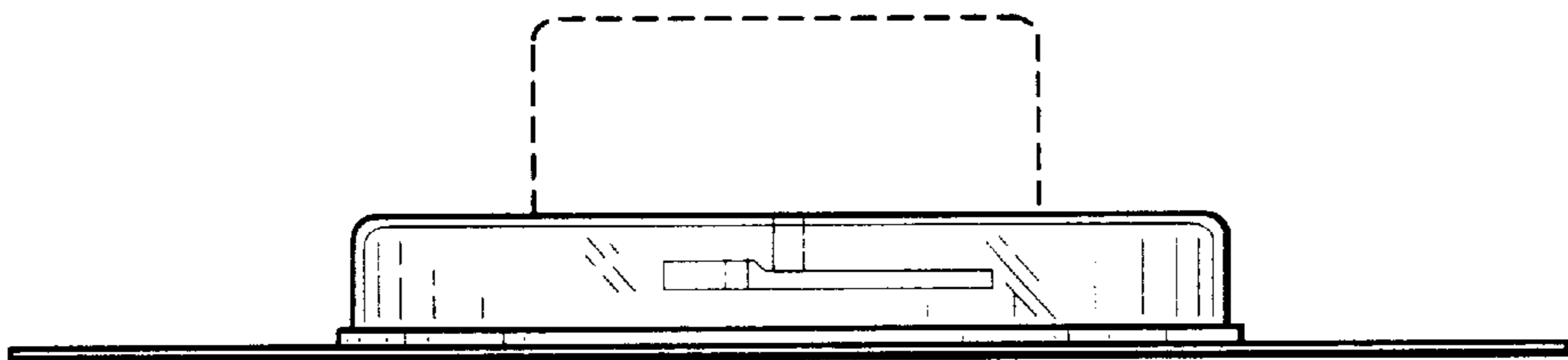


FIG. 5

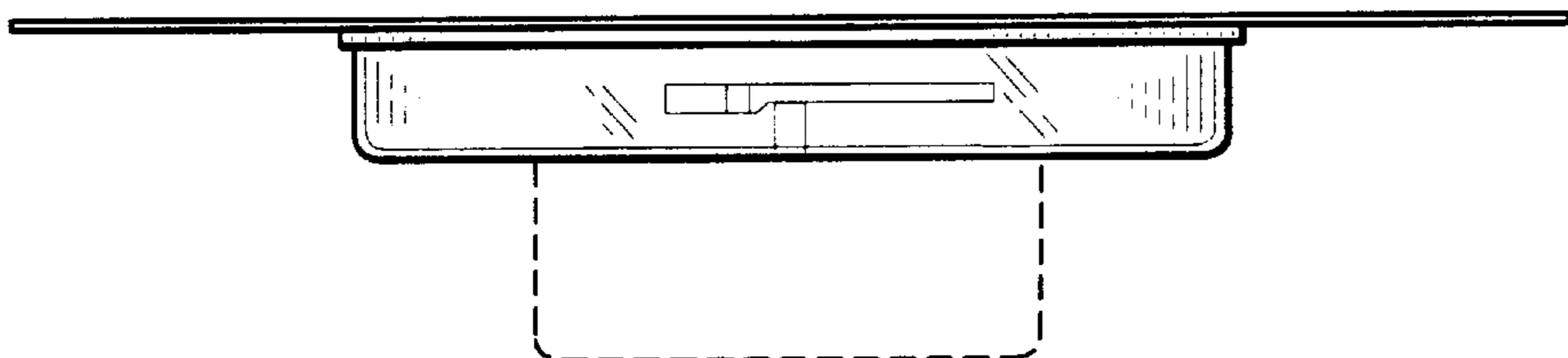


FIG. 6

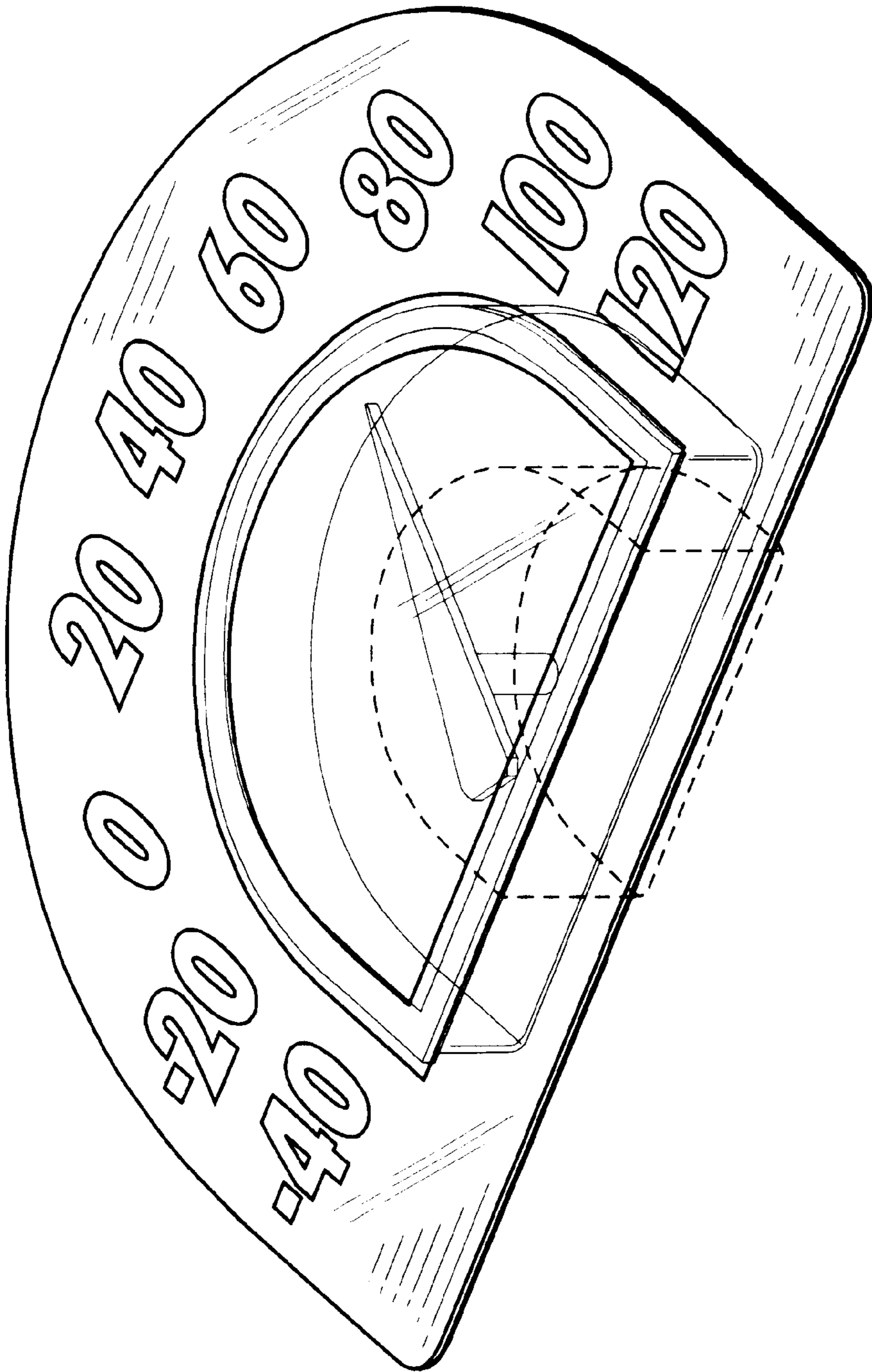


FIG. 7

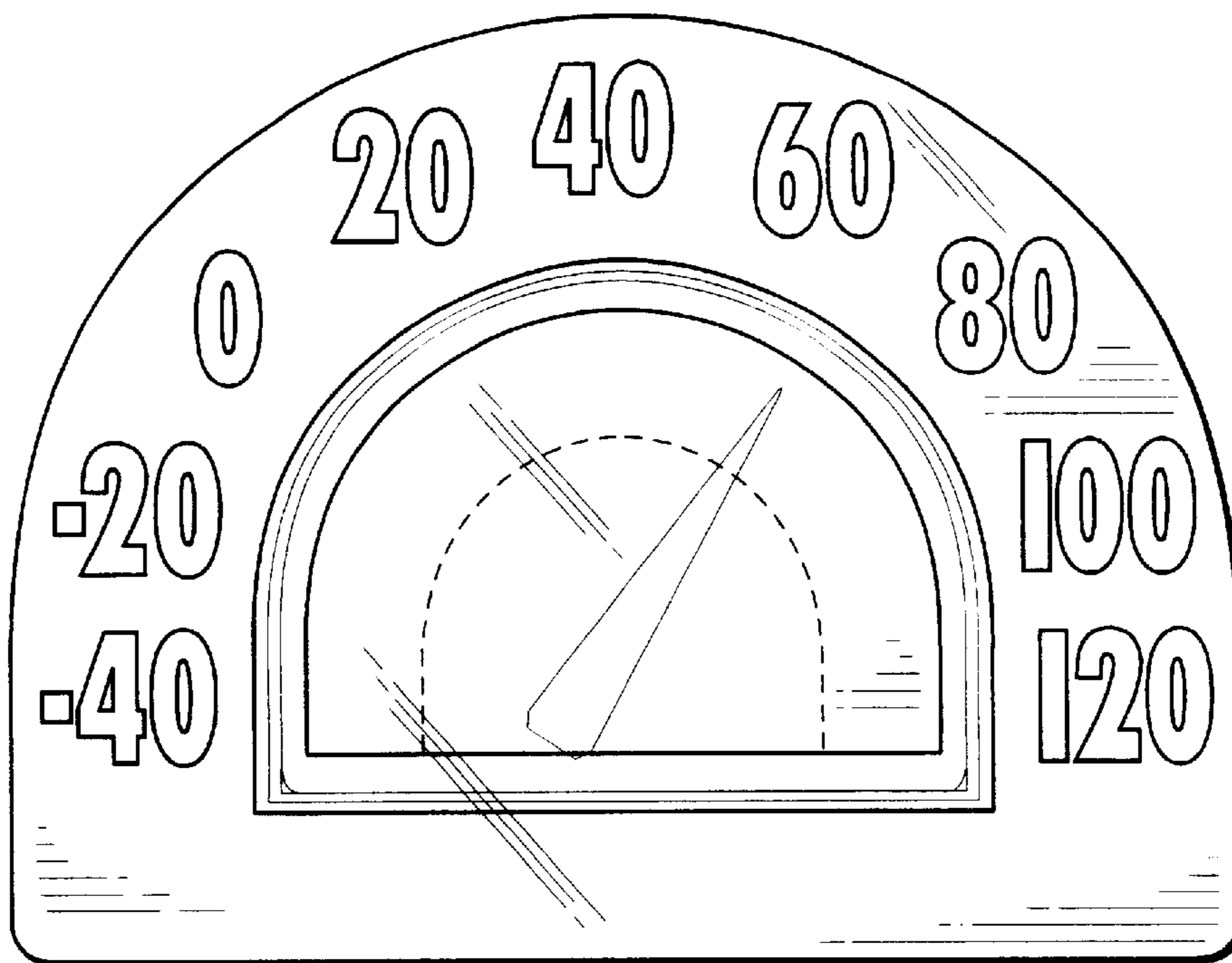


FIG. 8

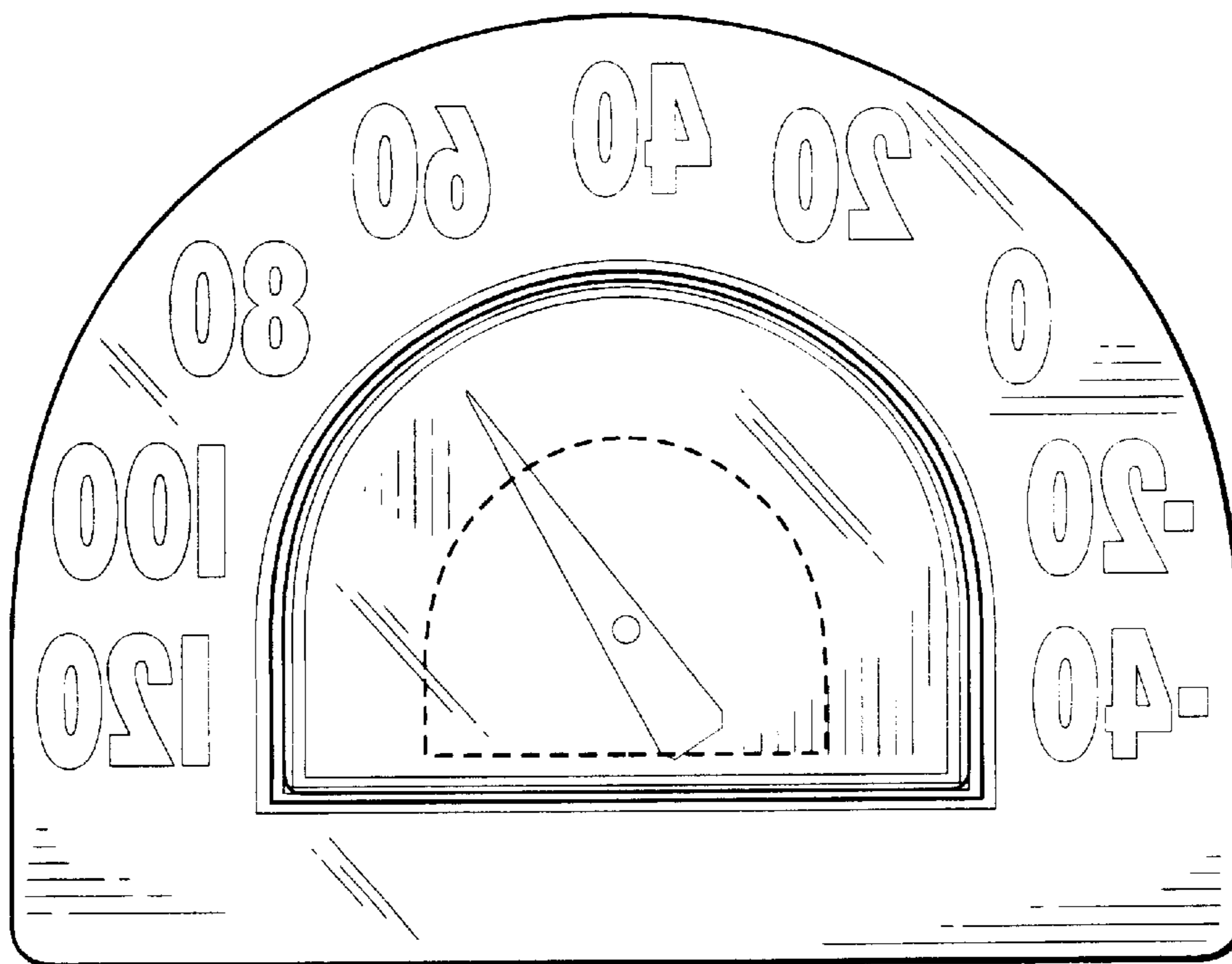


FIG. 9

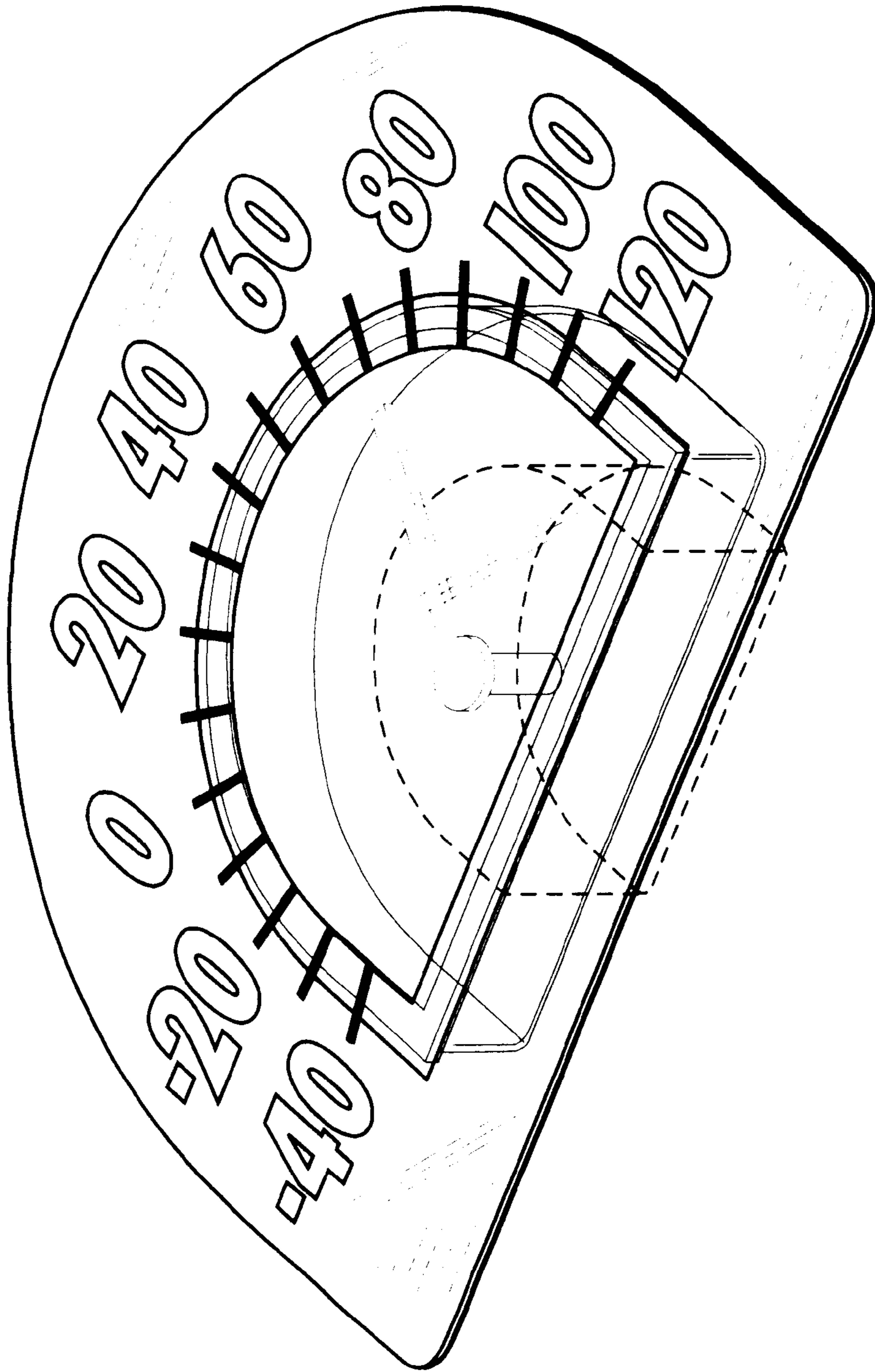


FIG. 10

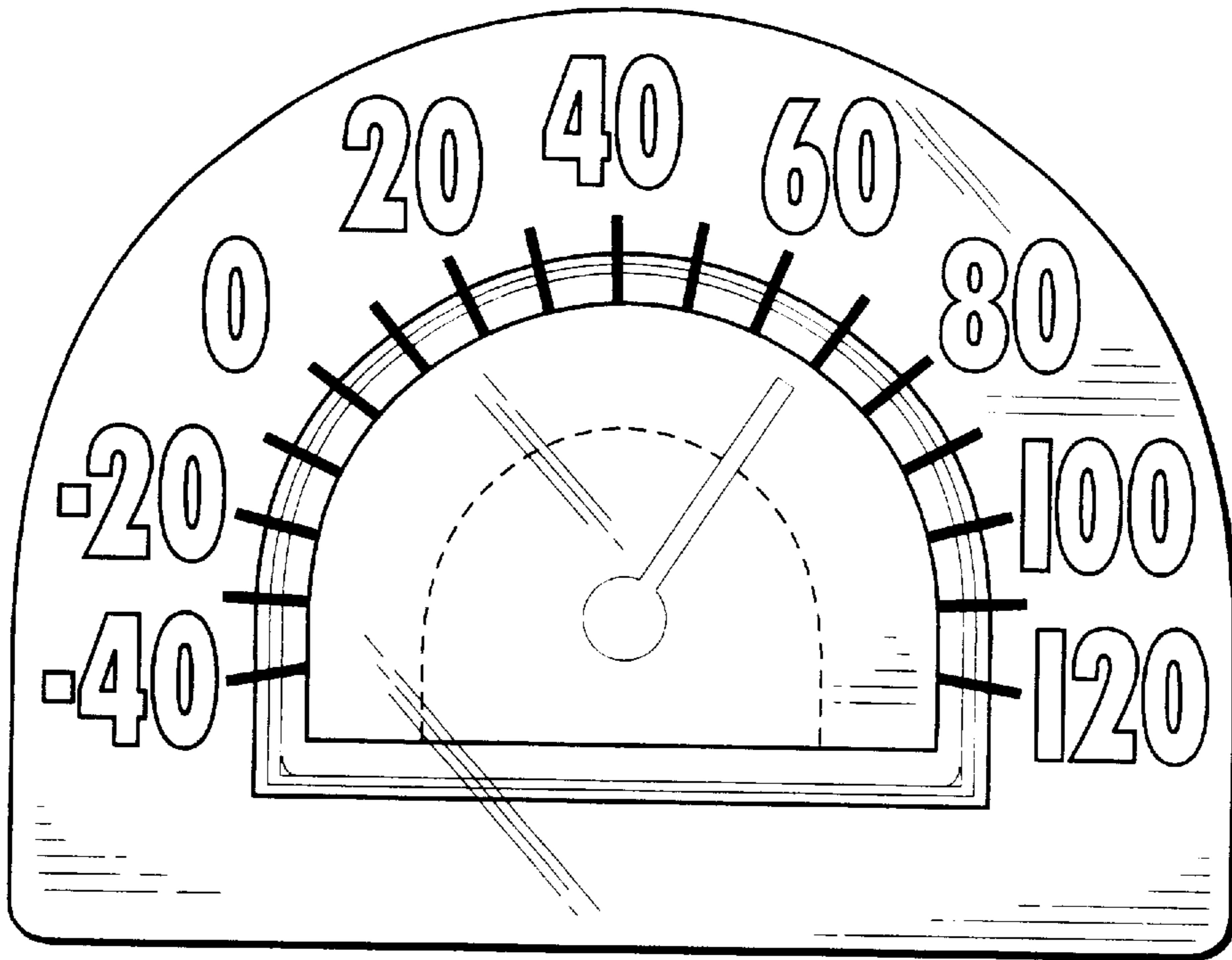


FIG. 11

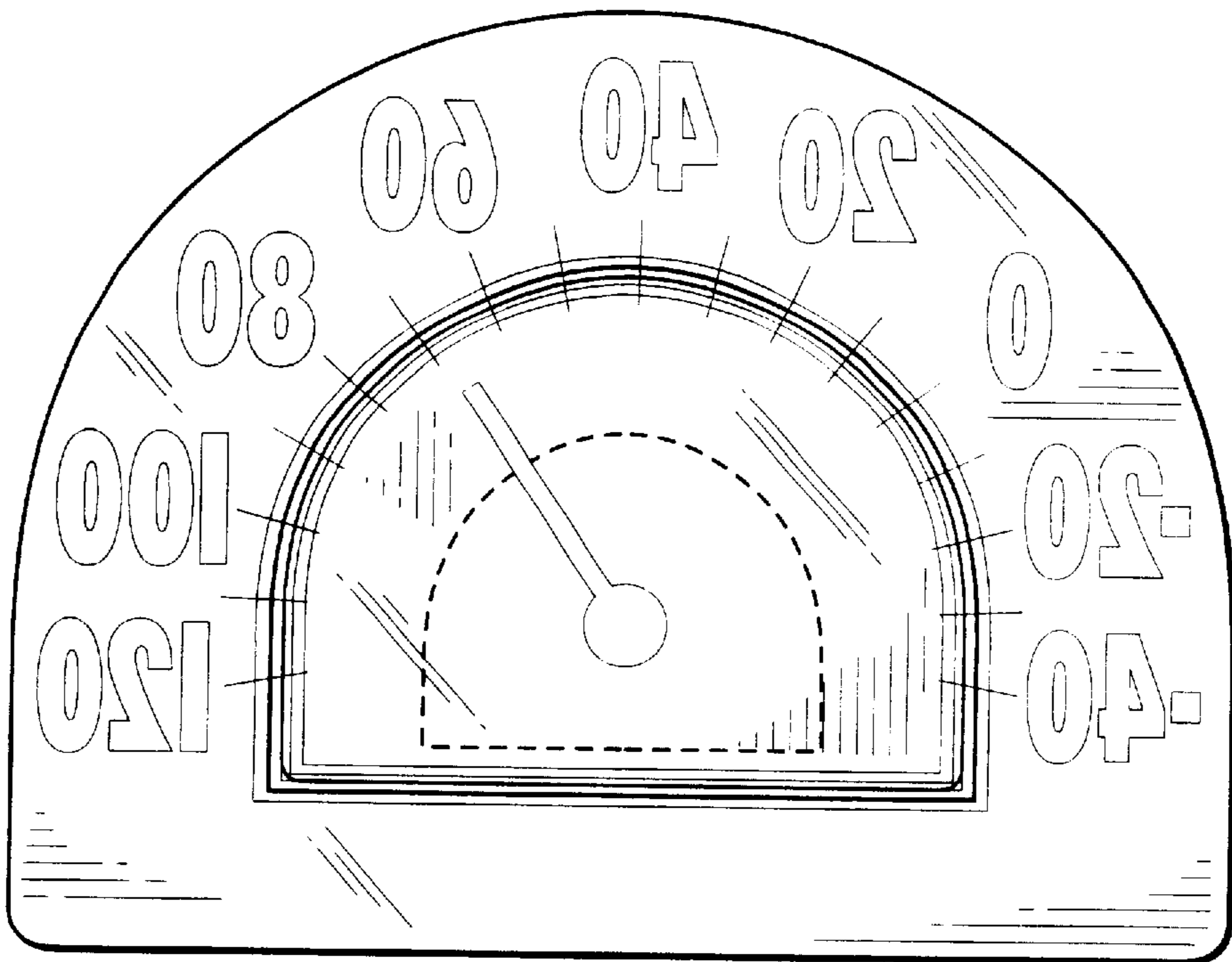


FIG. 12