



US00D469695S

(12) **United States Design Patent**
Bryant et al.

(10) **Patent No.:** **US D469,695 S**

(45) **Date of Patent:** **** Feb. 4, 2003**

(54) **BEVERAGE CONTAINER**

(75) Inventors: **Michael Patrick Bryant**, Marlborough, MA (US); **William J. Hendricks**, Windham, NH (US); **Edward H. Lerner**, Lexington, MA (US); **Jim F. Warner**, Hoboken, NJ (US); **Insun Yun**, New York, NY (US)

(73) Assignee: **Welch Foods Inc.**, Concord, MA (US)

(**) Term: **14 Years**

(21) Appl. No.: **29/146,246**

(22) Filed: **Aug. 7, 2001**

(51) **LOC (7) Cl.** **09-01**

(52) **U.S. Cl.** **D9/538**

(58) **Field of Search** D9/307, 500, 502-503, D9/506, 516, 520, 529-530, 537-543, 549, 552, 554, 557-558, 565, 570, 574-575, 434; 215/381-385, 10, 6, 396, 398; 220/662, 669, 675

(56) **References Cited**

U.S. PATENT DOCUMENTS

D204,711 S	*	5/1966	Plummer	D9/539
D226,175 S	*	1/1973	Bystedt et al.	D9/552
5,303,834 A	*	4/1994	Krishnakumar et al.	215/381
5,385,250 A	*	1/1995	Pasquale	220/669
D356,736 S	*	3/1995	Armstrong	D9/552
D370,178 S	*	5/1996	Petre et al.	D9/552 X
D379,154 S	*	5/1997	Cox	D9/540
D396,640 S	*	8/1998	Conrad et al.	D9/502
D397,941 S	*	9/1998	Lauth	D9/502
D404,310 S	*	1/1999	Martin	D9/537
D417,156 S	*	11/1999	Veyssiere	D9/552
D429,647 S	*	8/2000	Warner et al.	D9/538
D434,330 S	*	11/2000	Rowe et al.	D9/538
D435,795 S	*	1/2001	Bretz et al.	D9/520
D446,727 S	*	8/2001	Cummings	D9/530

OTHER PUBLICATIONS

Commercially-available containers.

* cited by examiner

Primary Examiner—Ted Shooman

Assistant Examiner—Carol Rademaker

(74) *Attorney, Agent, or Firm*—Colin P. Cahoon; Carstens, Yee & Cahoon, L.L.P.

(57) **CLAIM**

The ornamental design for a beverage container, as shown and described.

DESCRIPTION

FIG. 1 is a top perspective view of a beverage container of the present invention;

FIG. 2 is a bottom perspective view of the beverage container of the present invention;

FIG. 3 is a side elevation view of the beverage container of the present invention, the opposite side elevation view being identical;

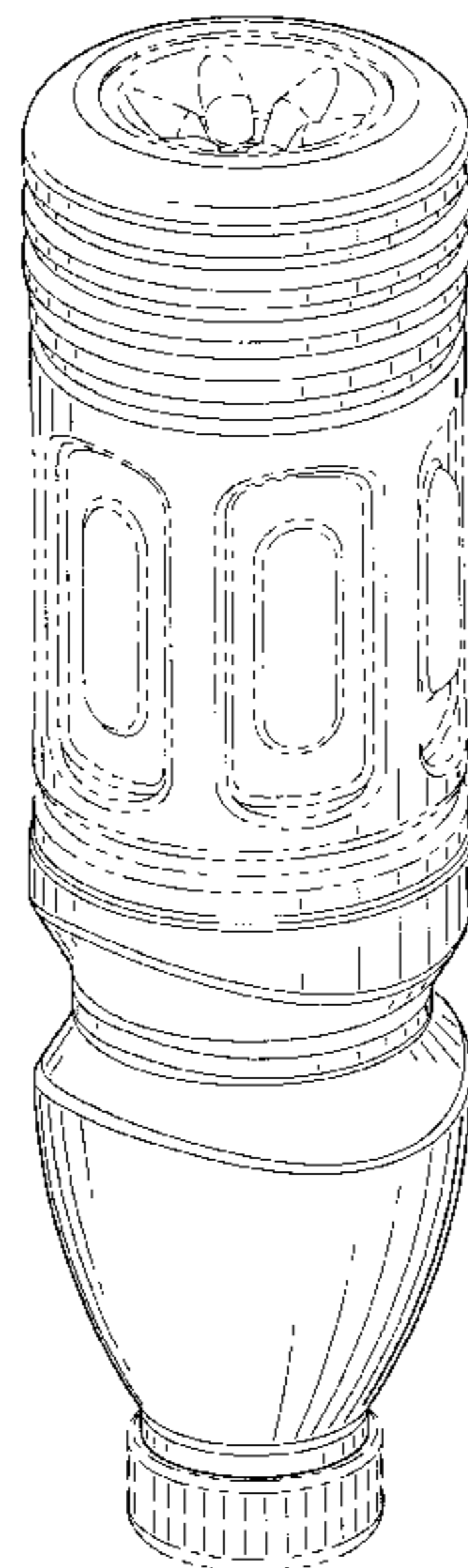
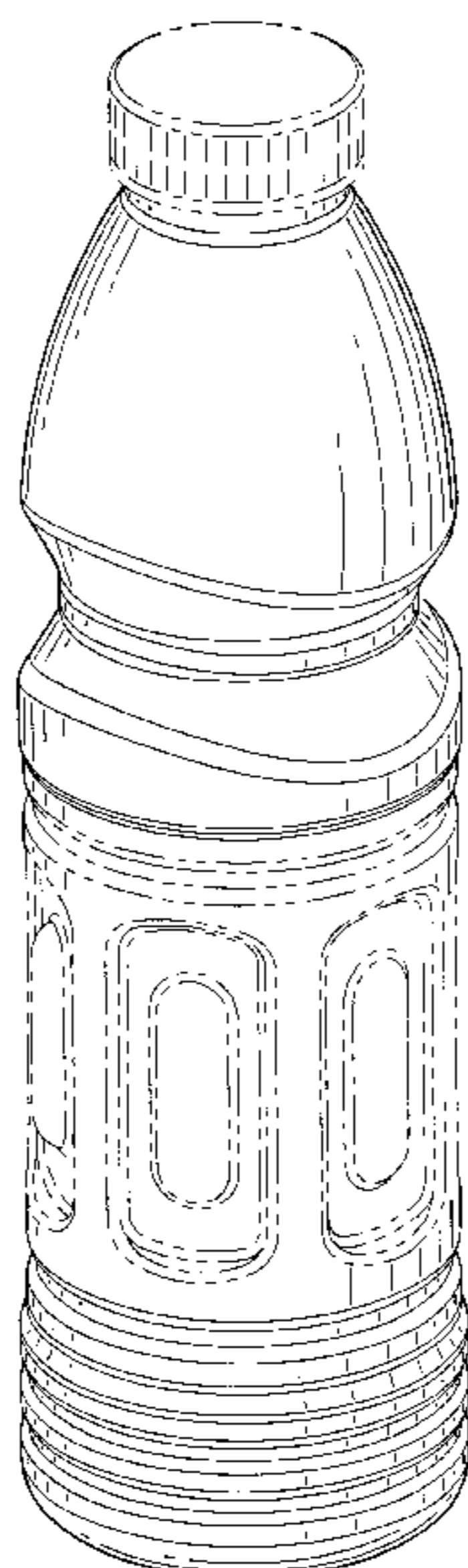
FIG. 4 is a front elevation view of the beverage container of the present invention, the rear elevation view being identical;

FIG. 5 is a top plan view of the beverage container of the present invention; and,

FIG. 6 is a bottom plan view of the beverage container of the present invention.

The broken lines showing of the cap, bottom features, vacuum panels, and ring above the vacuum panels are for illustrative purposes only and form no part of the claimed design. The outermost circle of the unclaimed patterned punt, the outermost line defining each of the vacuum panels, and the upper and lower horizontal rings above the vacuum panels shown in broken lines on the beverage container, which define the bounds of the claimed design, form no part thereof.

1 Claim, 2 Drawing Sheets



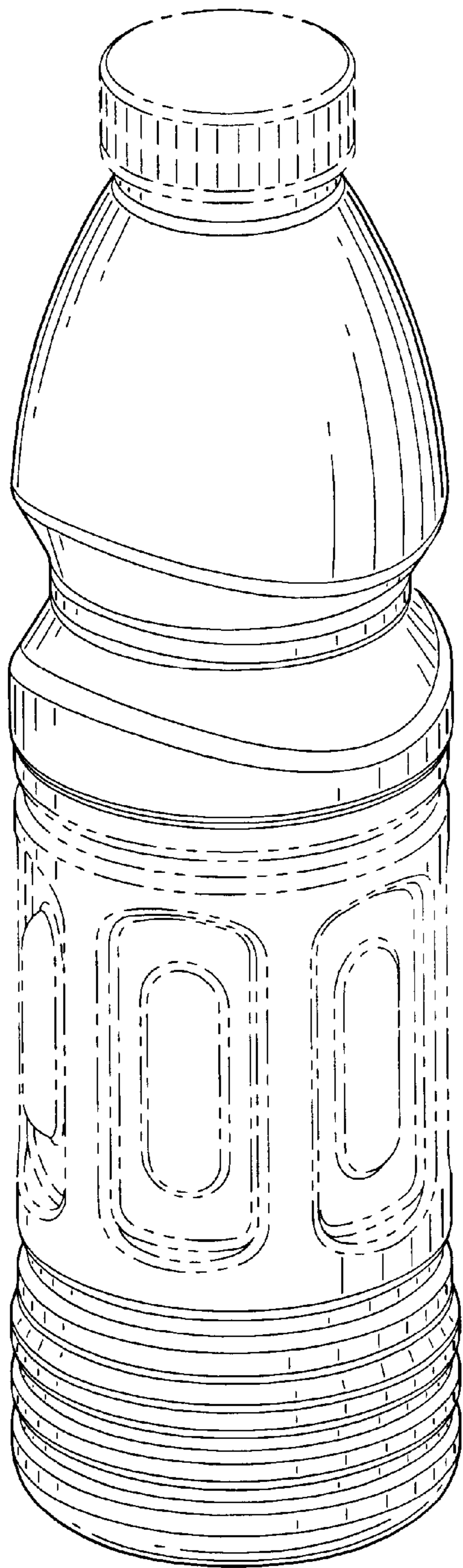


FIG. 1

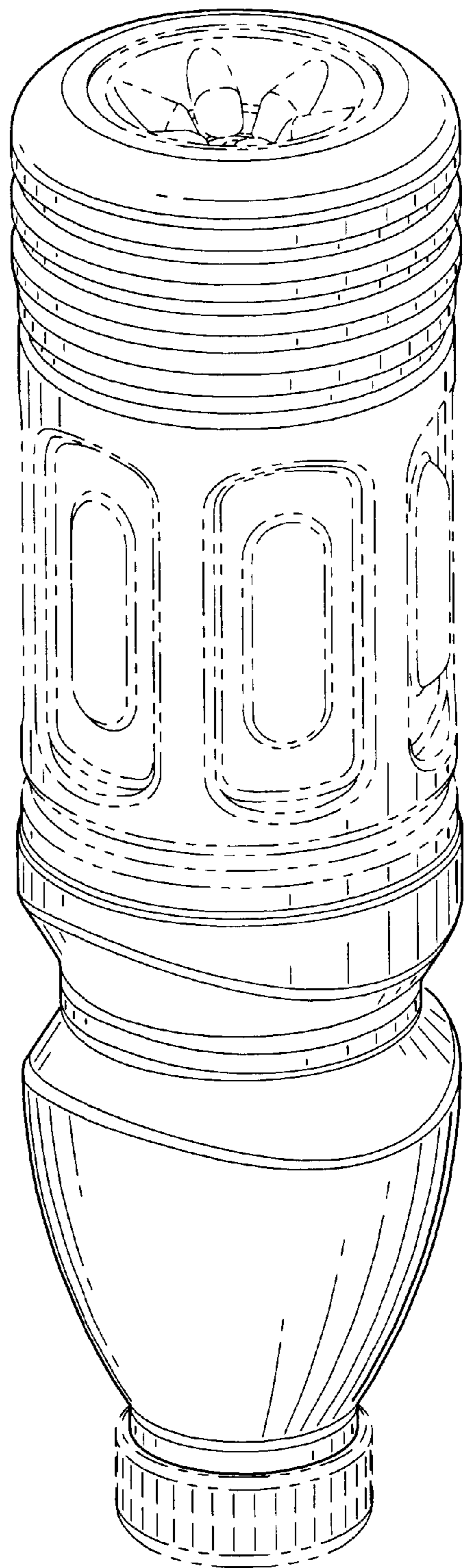


FIG. 2

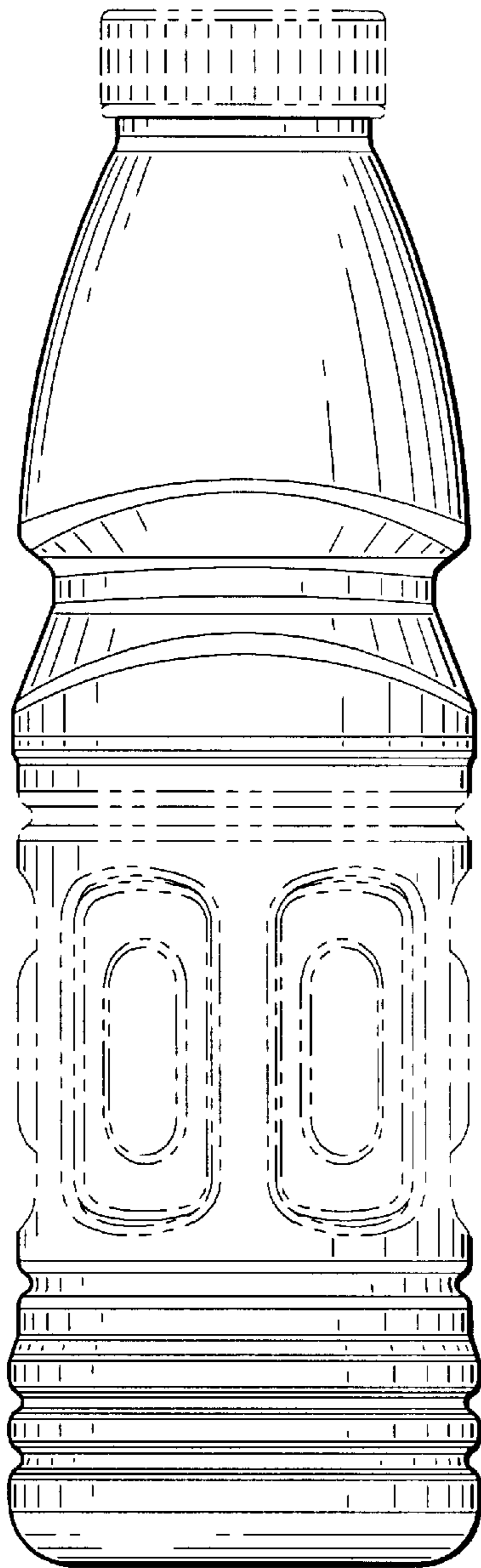


FIG. 3

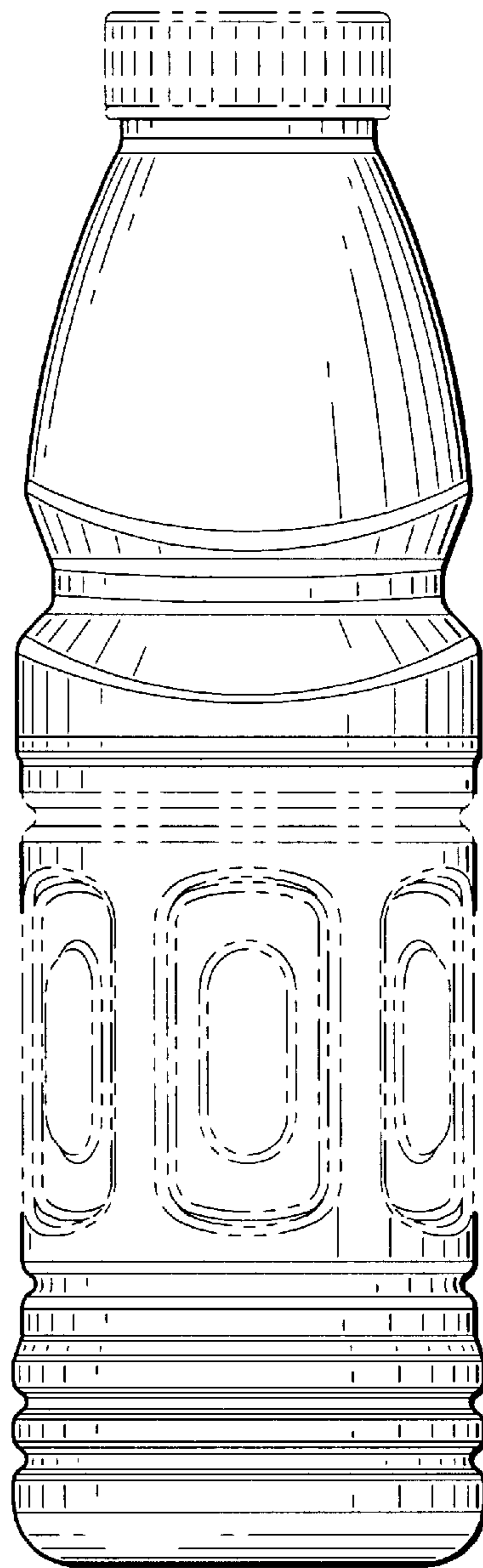


FIG. 4

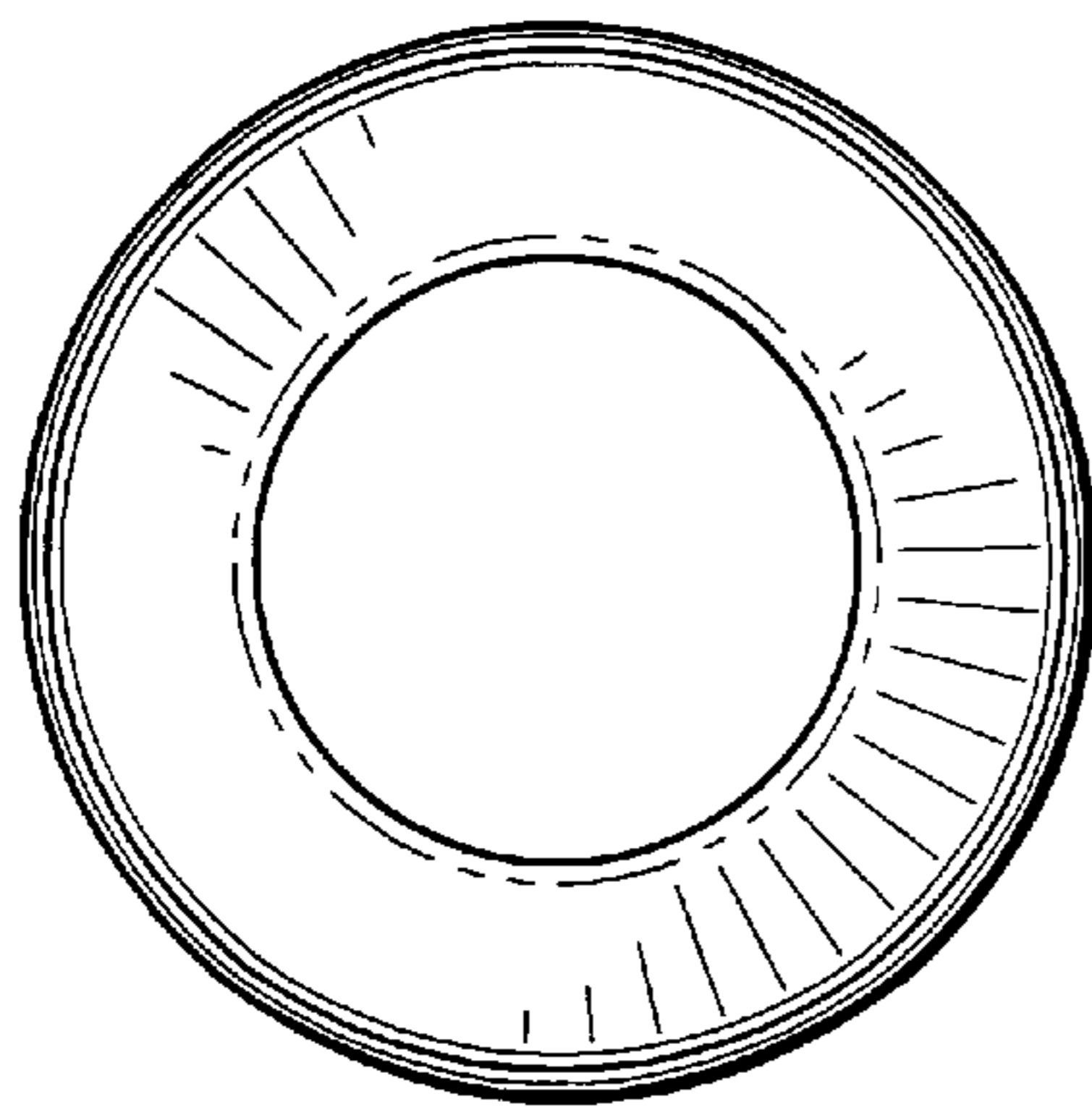


FIG. 5

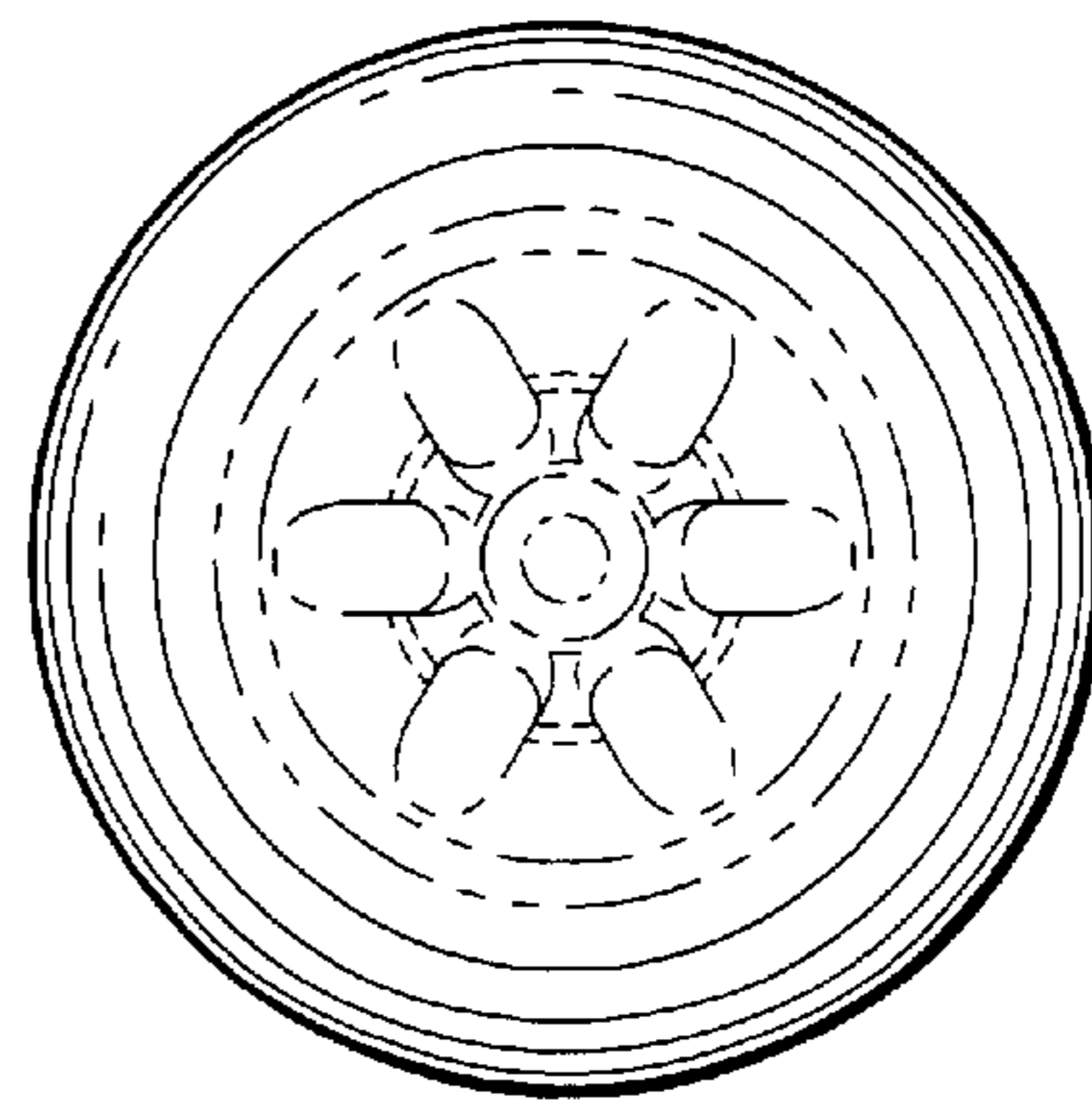


FIG. 6