



US00D469690S

(12) **United States Design Patent**  
**Pau**

(10) **Patent No.:** **US D469,690 S**

(45) **Date of Patent:** **\*\* Feb. 4, 2003**

(54) **SNACK BOX**

(75) **Inventor:** **Kit Kwan Pau, Kowloon (CN)**

(73) **Assignee:** **Wings Product Workshop Limited, Kowloon (CN)**

(\*\*) **Term:** **14 Years**

(21) **Appl. No.:** **29/139,280**

(22) **Filed:** **Mar. 27, 2001**

(51) **LOC (7) Cl.** ..... **09-07**

(52) **U.S. Cl.** ..... **D9/426; D9/424**

(58) **Field of Search** ..... **D9/424, 426, 430, D9/414, 337, 418; D7/601, 703, 629, 641; 229/116.1, 902, 904, 906, 938, 922; 206/541, 216, 592; 220/4.21, 4.24, 4.25, 556; 426/95, 106**

(56) **References Cited**

**U.S. PATENT DOCUMENTS**

3,586,162	A	*	6/1971	Townsend	.....	220/4.25
D255,309	S	*	6/1980	Colato et al.	.....	D9/426
4,573,579	A	*	3/1986	Murdick et al.	.....	229/938
5,036,980	A	*	8/1991	Vigue et al.	.....	229/938
5,042,666	A	*	8/1991	Dolene	.....	229/938

5,188,234	A	*	2/1993	Fukuda et al.	.....	206/541
5,211,302	A	*	5/1993	Tiramani	.....	220/4.25
D349,456	S	*	8/1994	Wilson	.....	D9/425
5,427,265	A	*	6/1995	Cautereels et al.	.....	206/541
D409,085	S	*	5/1999	Wyslotsky et al.	.....	D9/426

\* cited by examiner

*Primary Examiner*—Prabhakar Deshmukh

(74) *Attorney, Agent, or Firm*—Alix, Yale & Ristas, LLP

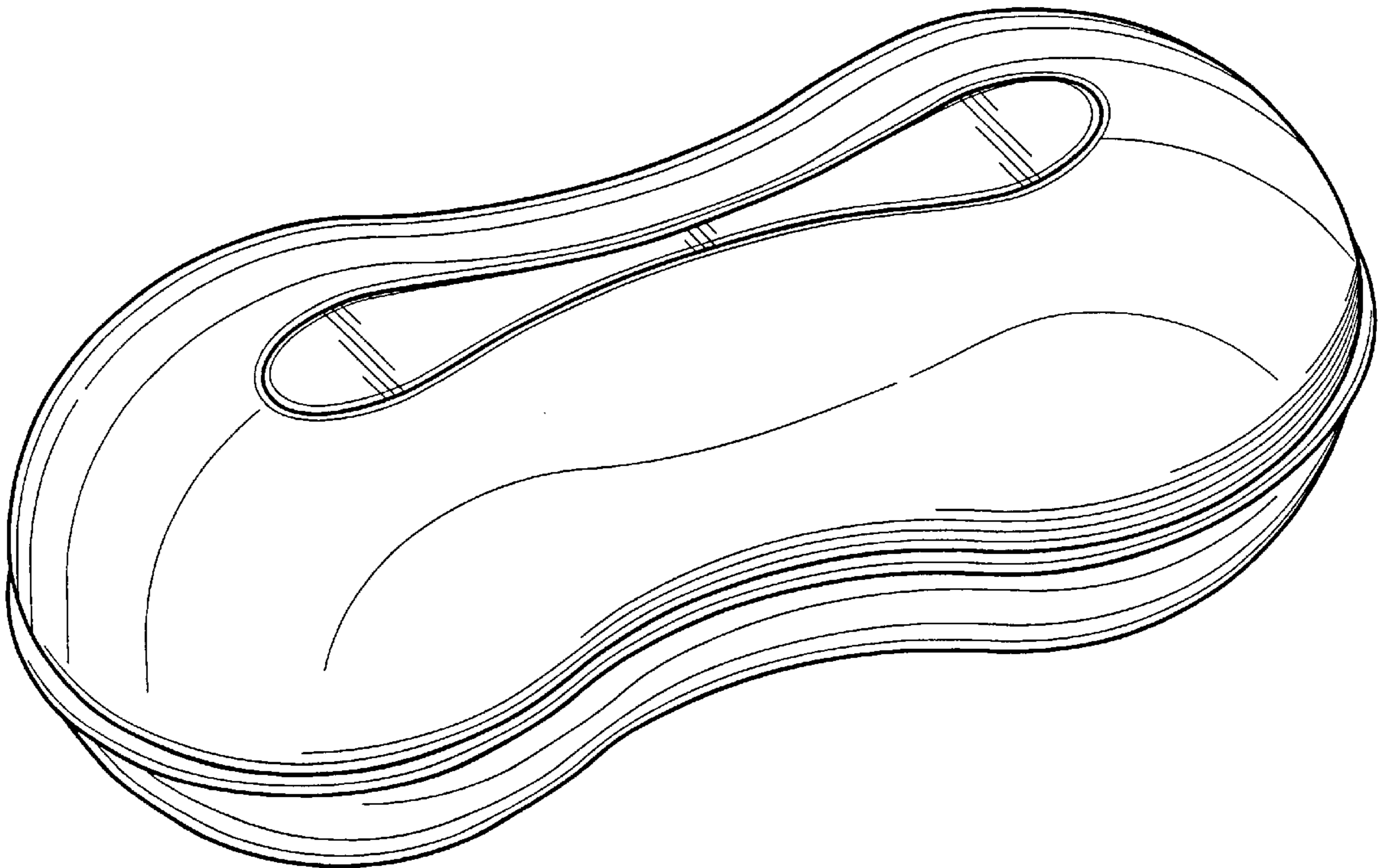
(57) **CLAIM**

The ornamental design for a snack box, as shown and described.

**DESCRIPTION**

FIG. 1 is a front perspective view of the snack box showing my new design;  
 FIG. 2 is a front perspective exploded view, illustrating an opened position of the snack box of FIG. 1;  
 FIG. 3 is a front view of the snack box of FIG. 1;  
 FIG. 4 is a top plan view of the snack box of FIG. 1;  
 FIG. 5 is a left side view of the snack box of FIG. 1;  
 FIG. 6 is a right side view of the snack box of FIG. 1;  
 FIG. 7 is a rear view of the snack box of FIG. 1; and,  
 FIG. 8 is a bottom plan view of the snack box of FIG. 1.

**1 Claim, 5 Drawing Sheets**



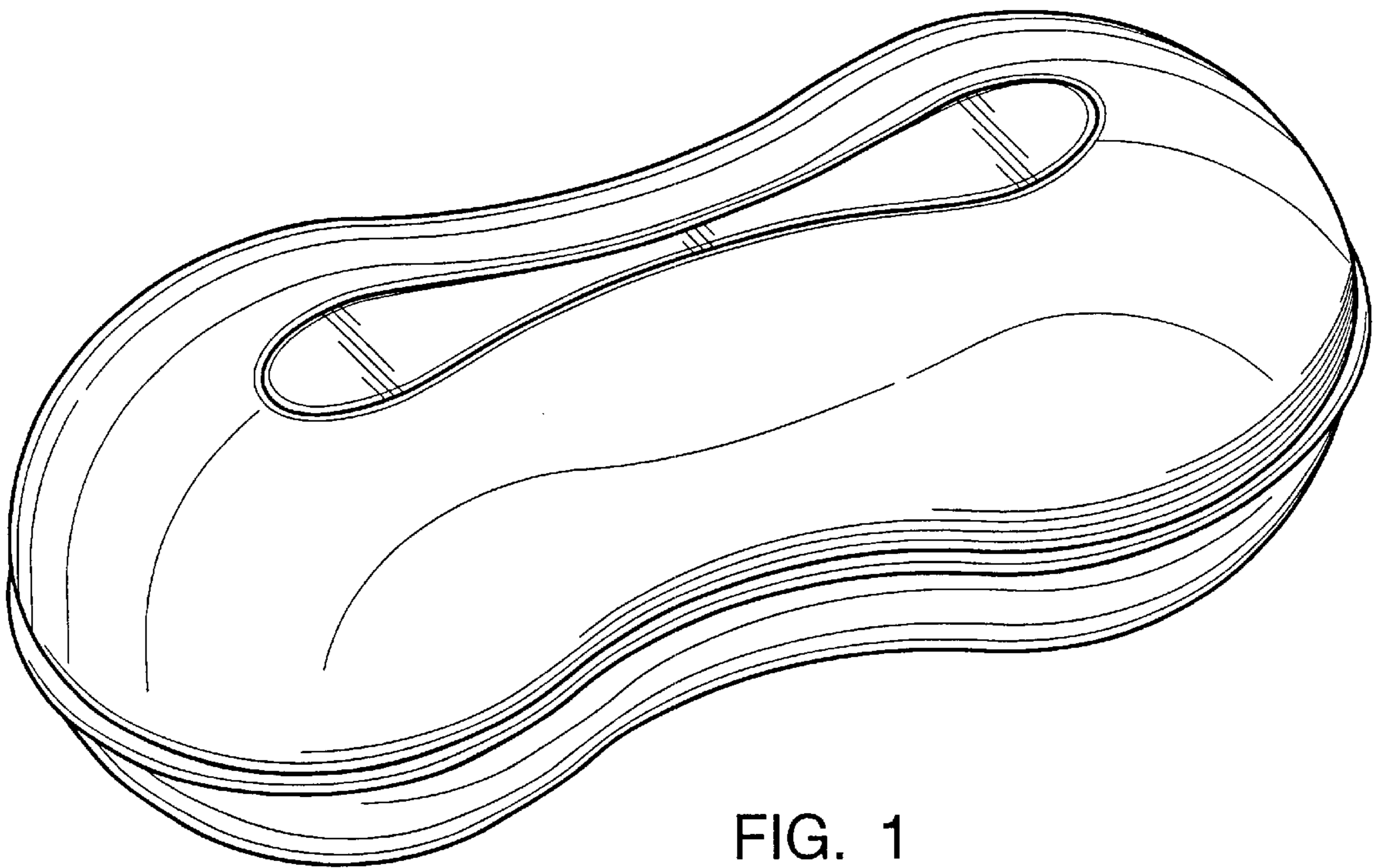


FIG. 1

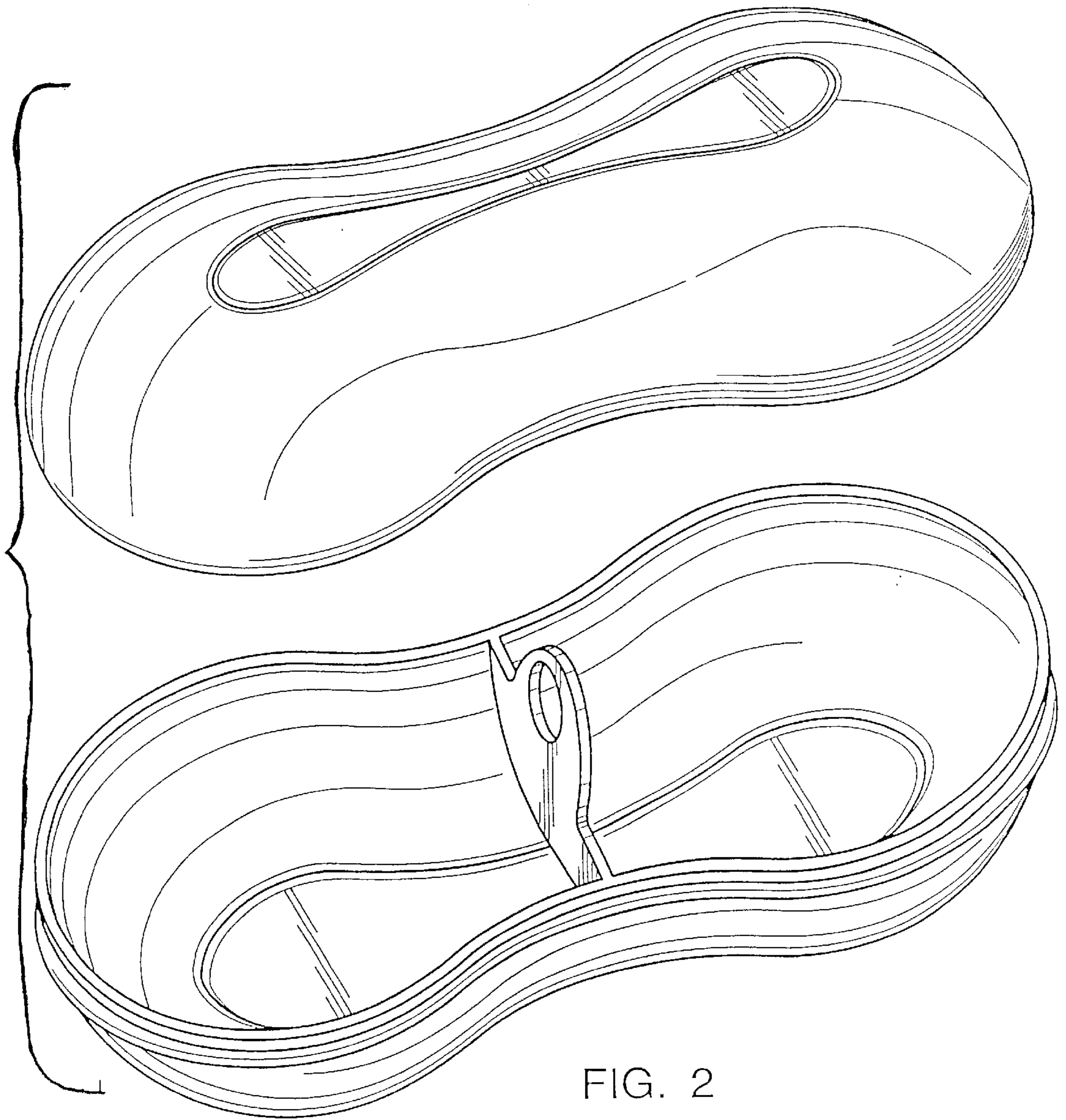


FIG. 2



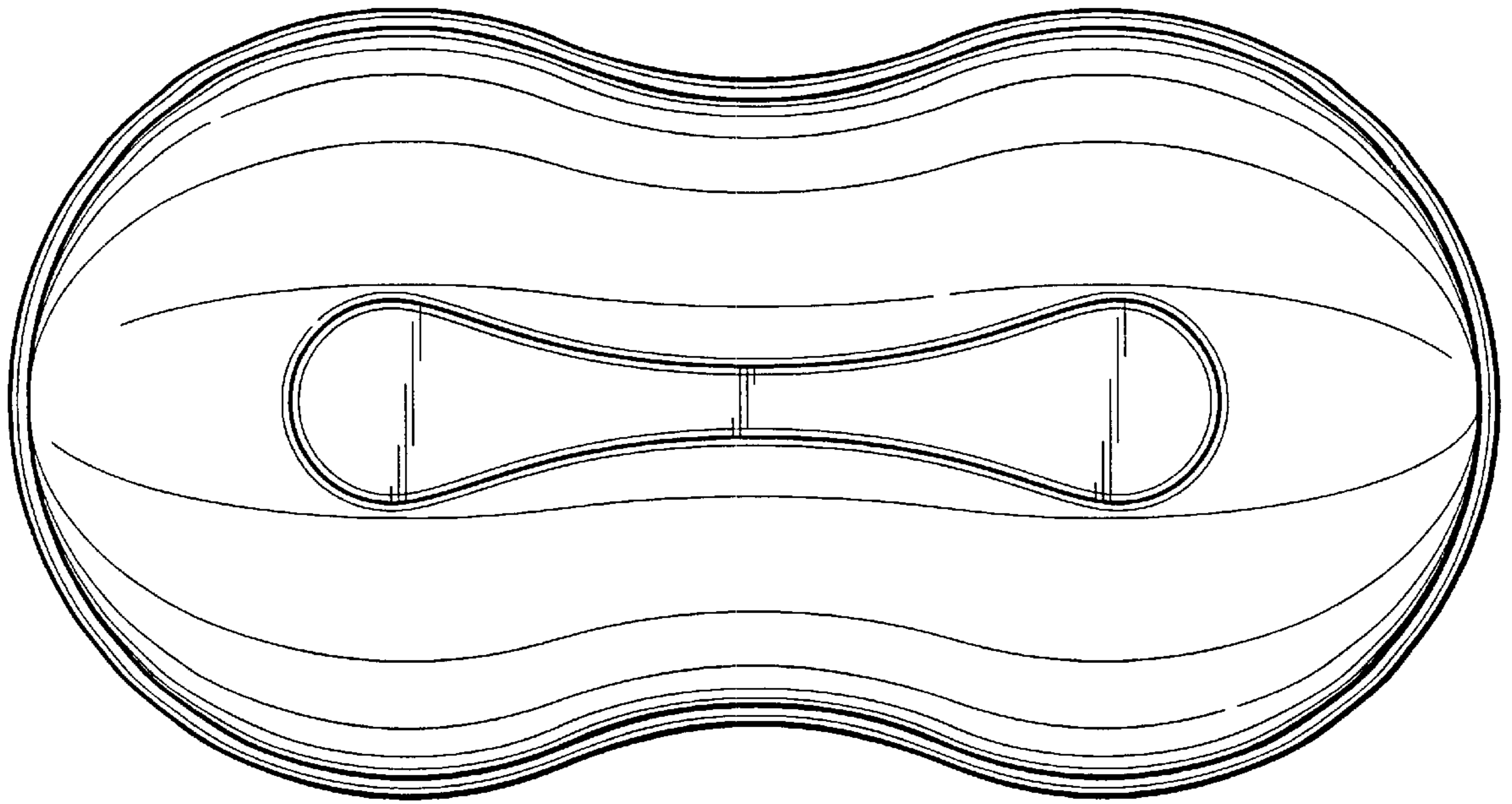


FIG. 4

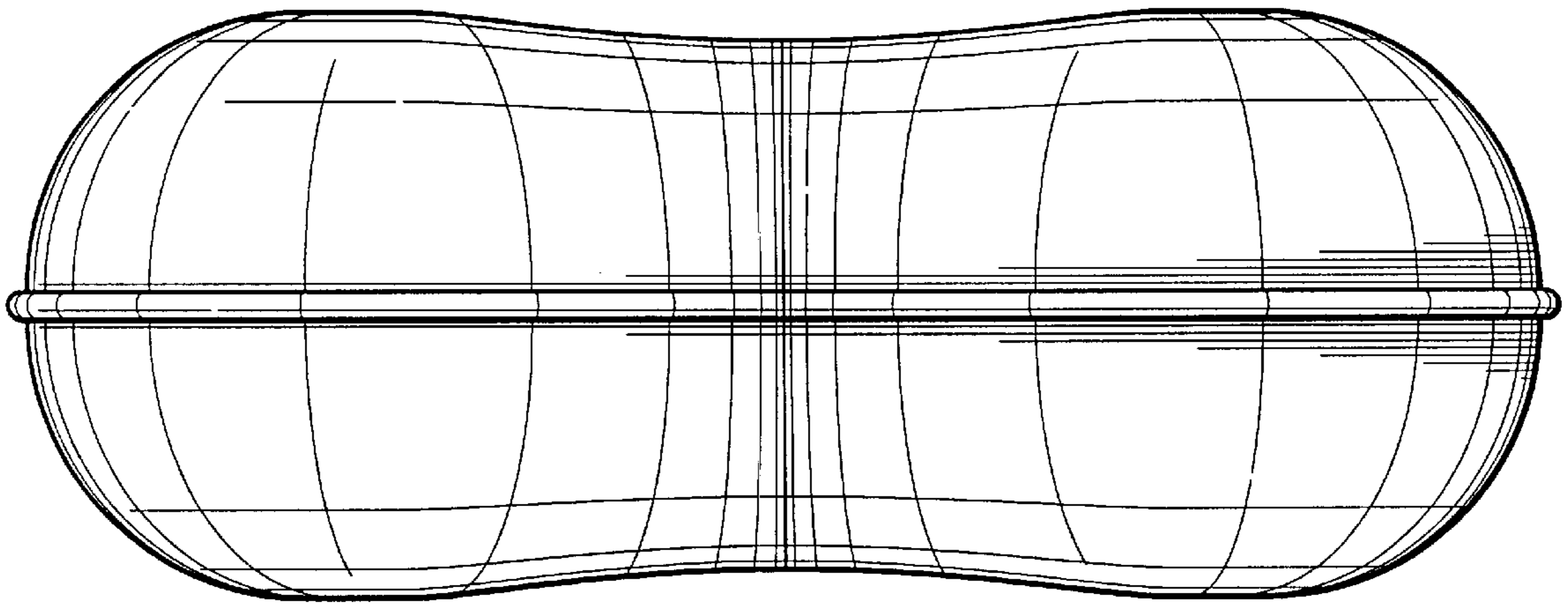


FIG. 3

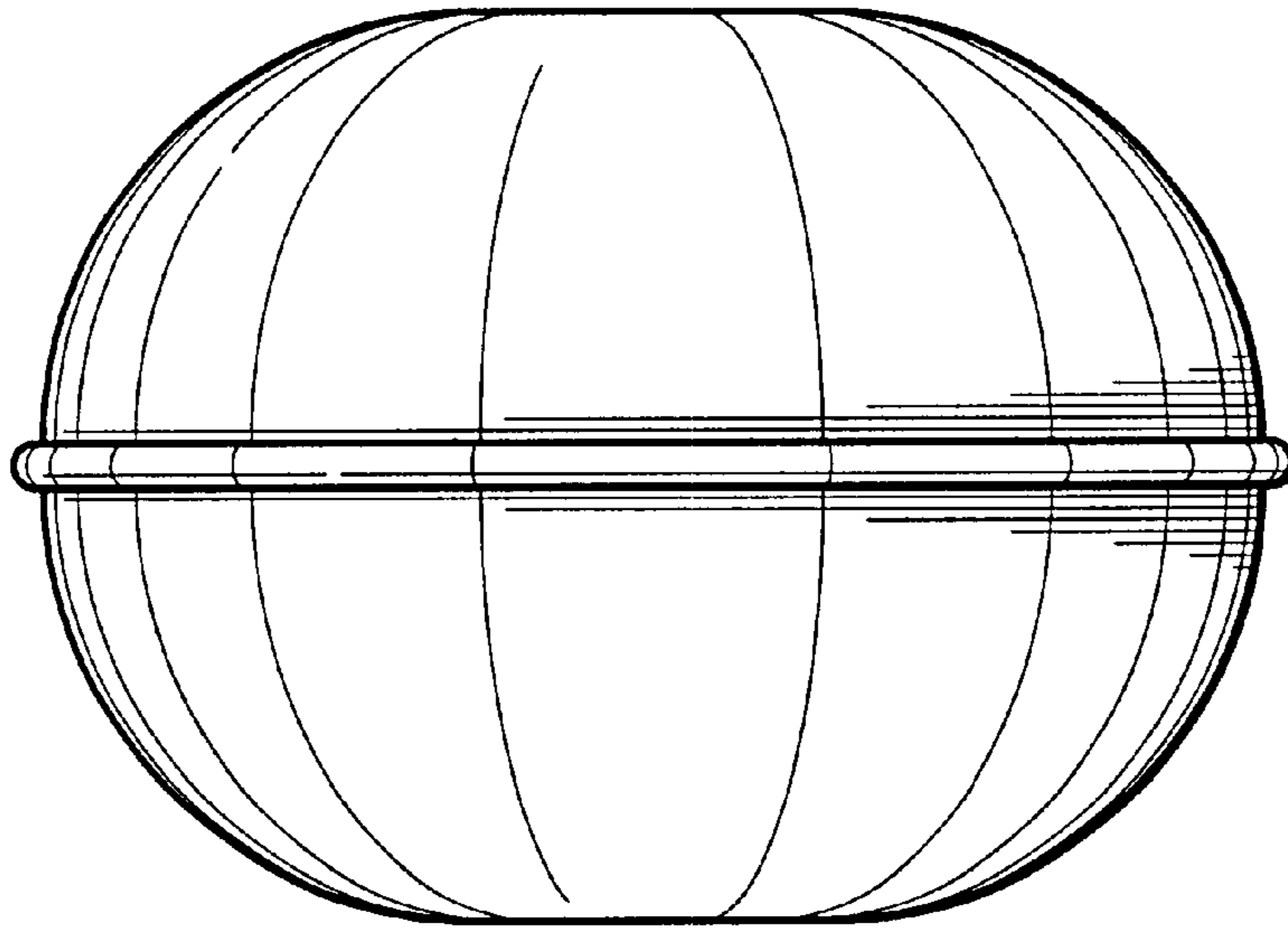


FIG. 5

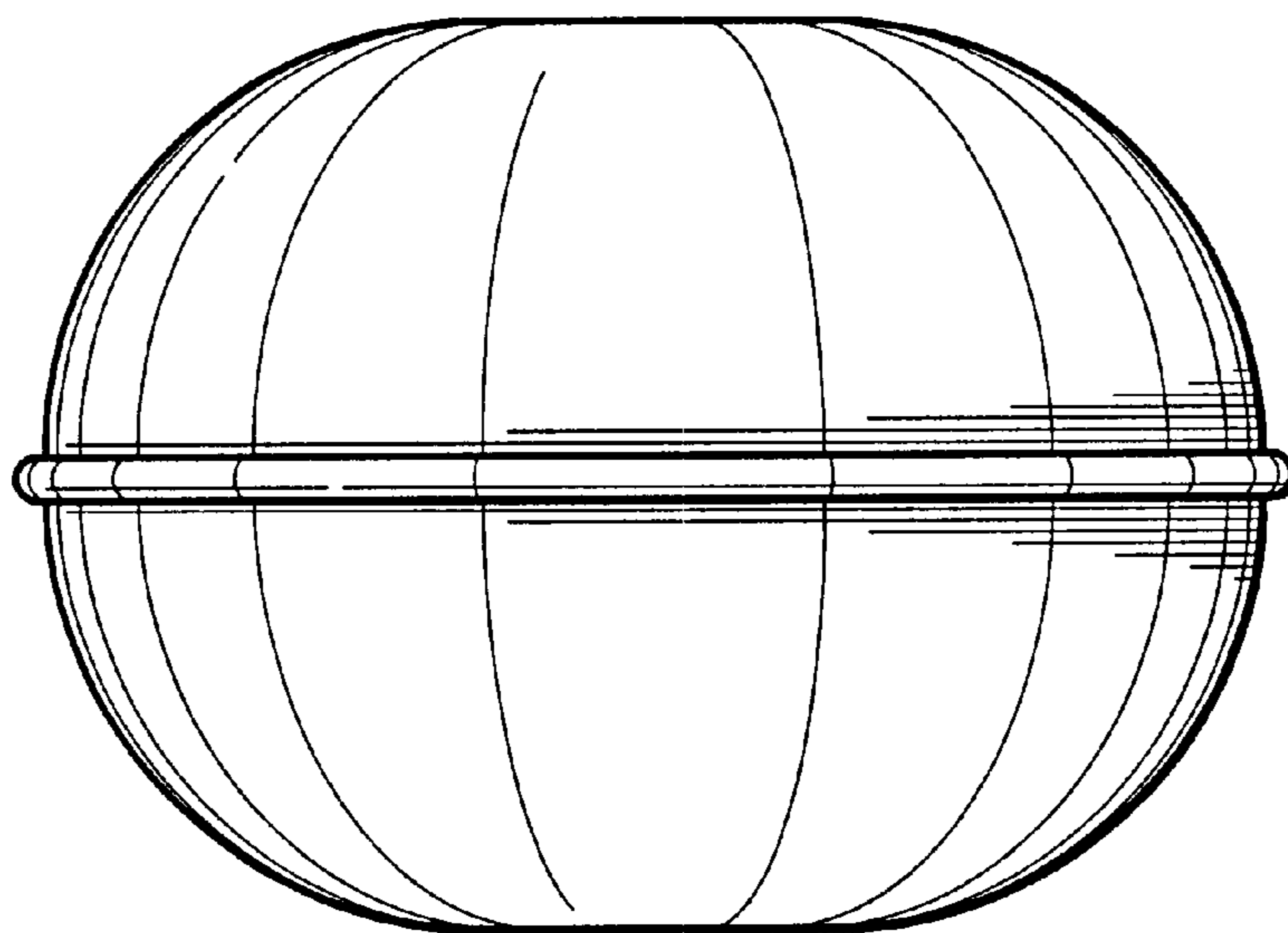


FIG. 6

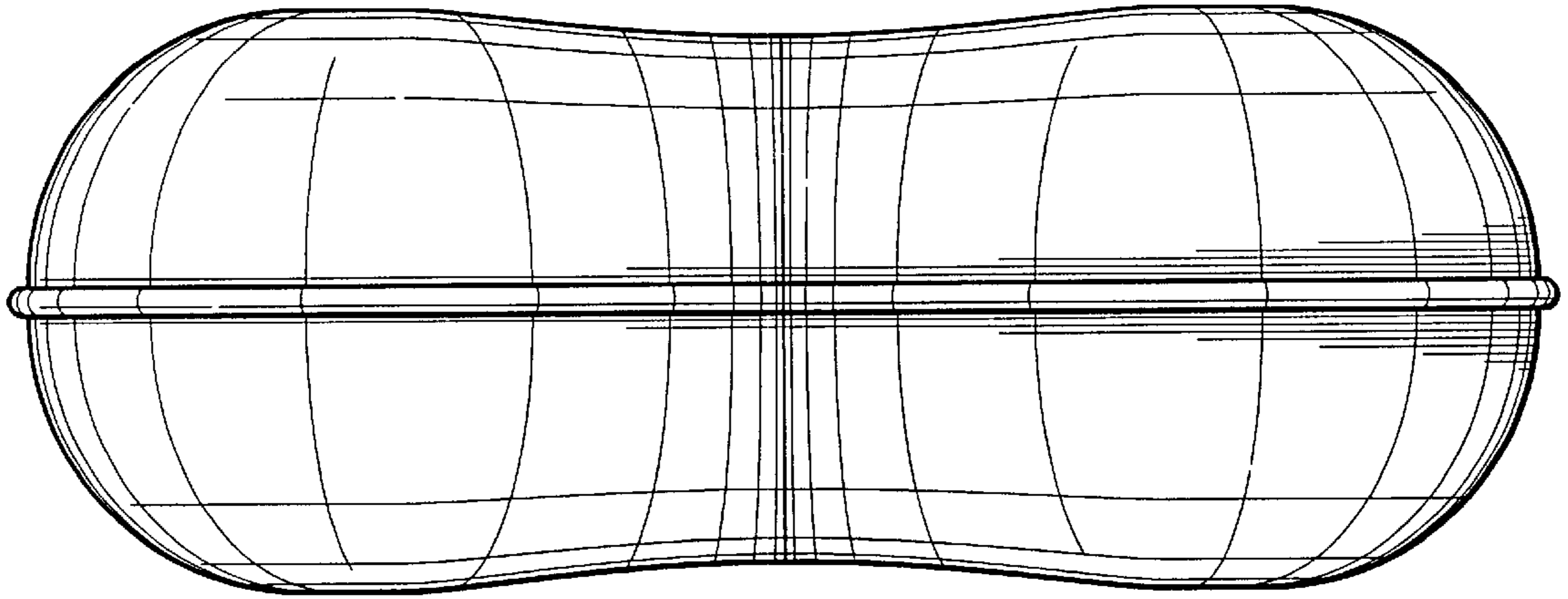


FIG. 7

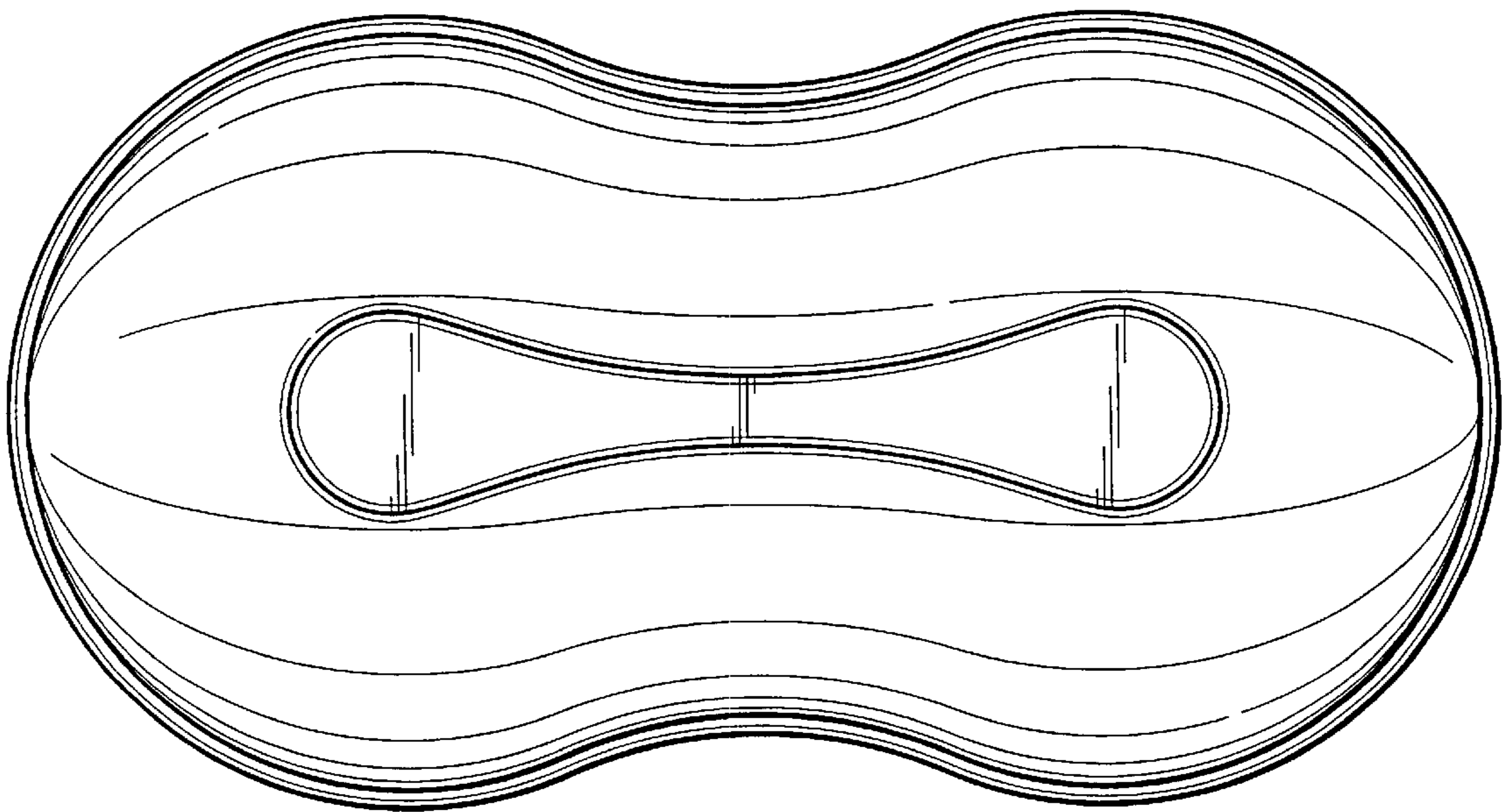


FIG. 8