



US00D469687S

(12) **United States Design Patent**  
**Larian**

(10) **Patent No.:** **US D469,687 S**

(45) **Date of Patent:** **\*\* Feb. 4, 2003**

(54) **TRANSPARENT DISPLAY PACKAGING**

(76) **Inventor:** **Isaac Larian**, 237 Carolwood, Los Angeles, CA (US) 90077

(\*\*) **Term:** **14 Years**

(21) **Appl. No.:** **29/158,530**

(22) **Filed:** **Apr. 3, 2002**

(51) **LOC (7) Cl.** ..... **09-03**

(52) **U.S. Cl.** ..... **D9/415; D9/418**

(58) **Field of Search** ..... D9/415, 418, 414, D9/430, 431, 432, 337, 416; 229/111, 112, 116.1, 117.09, 117.19, 117.21, 117.23, 117.24, 162; 206/769, 770, 771, 349, 776, 806

(56) **References Cited**

**U.S. PATENT DOCUMENTS**

1,268,318	A	*	6/1918	Brown	.....	229/117.09
2,483,030	A	*	9/1949	Arneson	.....	229/117.21
2,591,593	A	*	4/1952	Nolan	.....	229/117.09
3,001,688	A	*	9/1961	Hokenson	.....	229/117.21
D265,723	S	*	8/1982	Rosenthal	.....	D9/418

D303,088	S	*	8/1989	Fireman	.....	D9/418
5,040,683	A	*	8/1991	Marsilio	.....	206/320
D320,346	S	*	10/1991	Wagner	.....	D9/415

\* cited by examiner

*Primary Examiner*—Prabhakar Deshmukh  
(74) *Attorney, Agent, or Firm*—Oppenheimer Wolff & Donnelly LLP

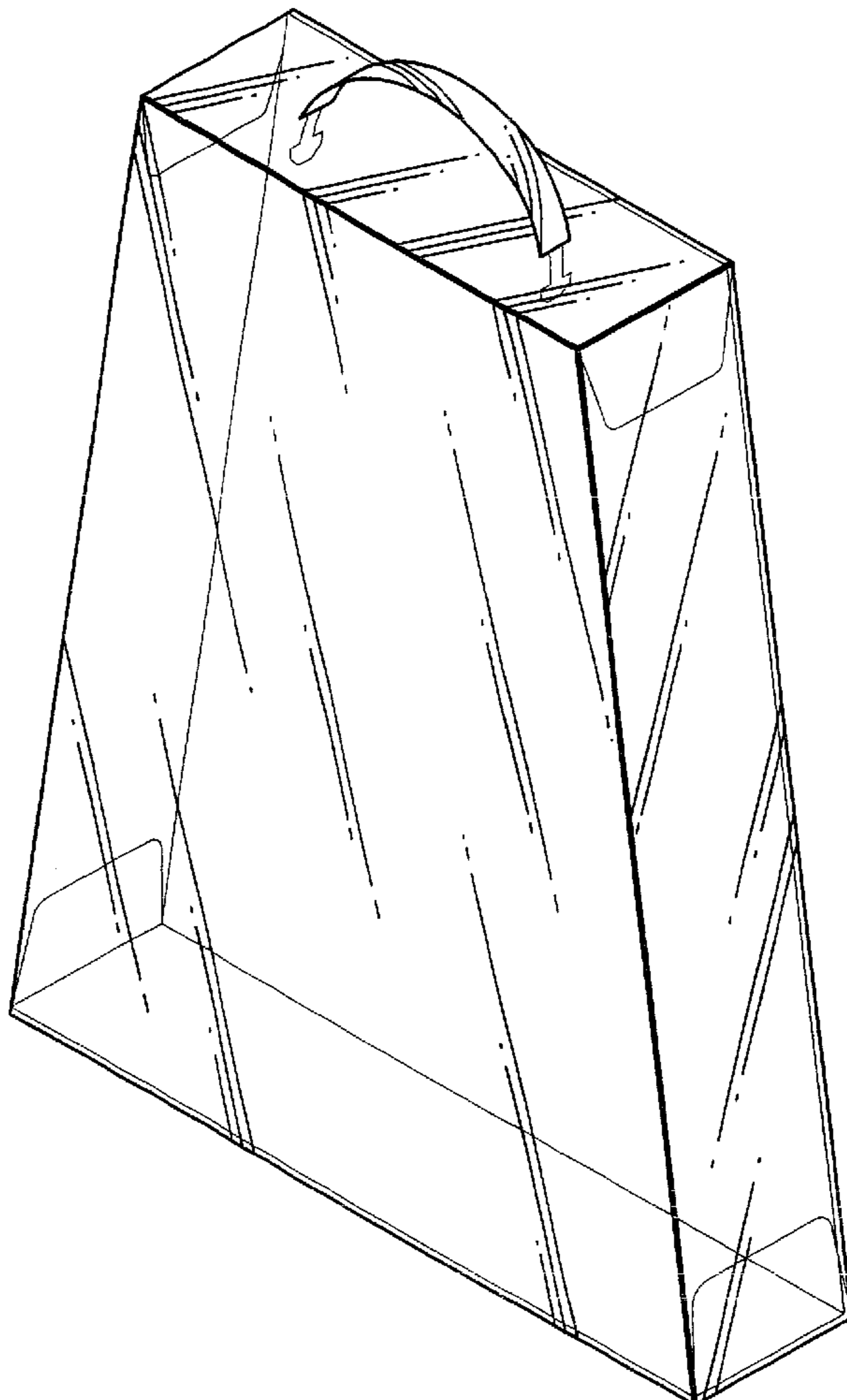
(57) **CLAIM**

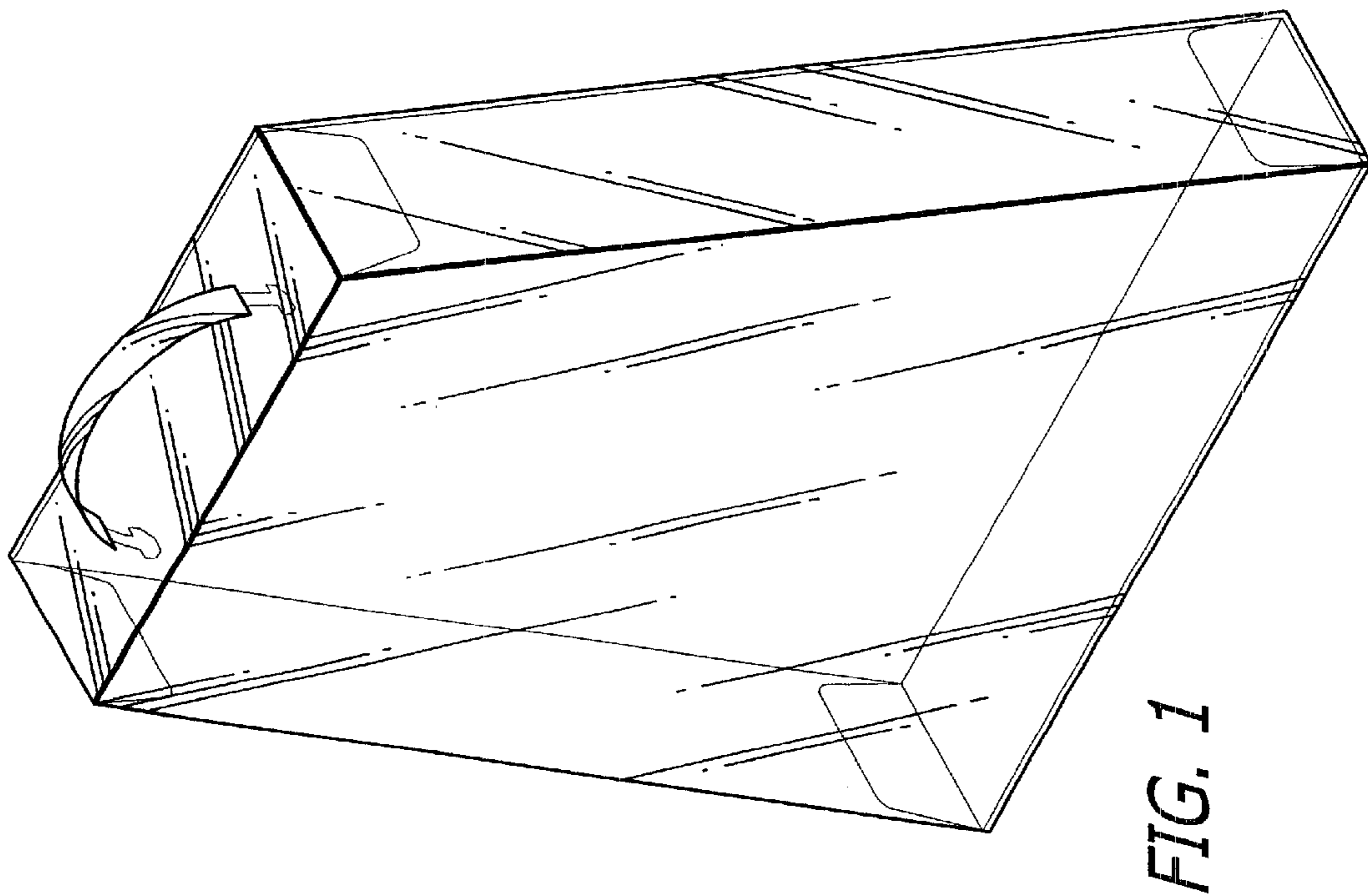
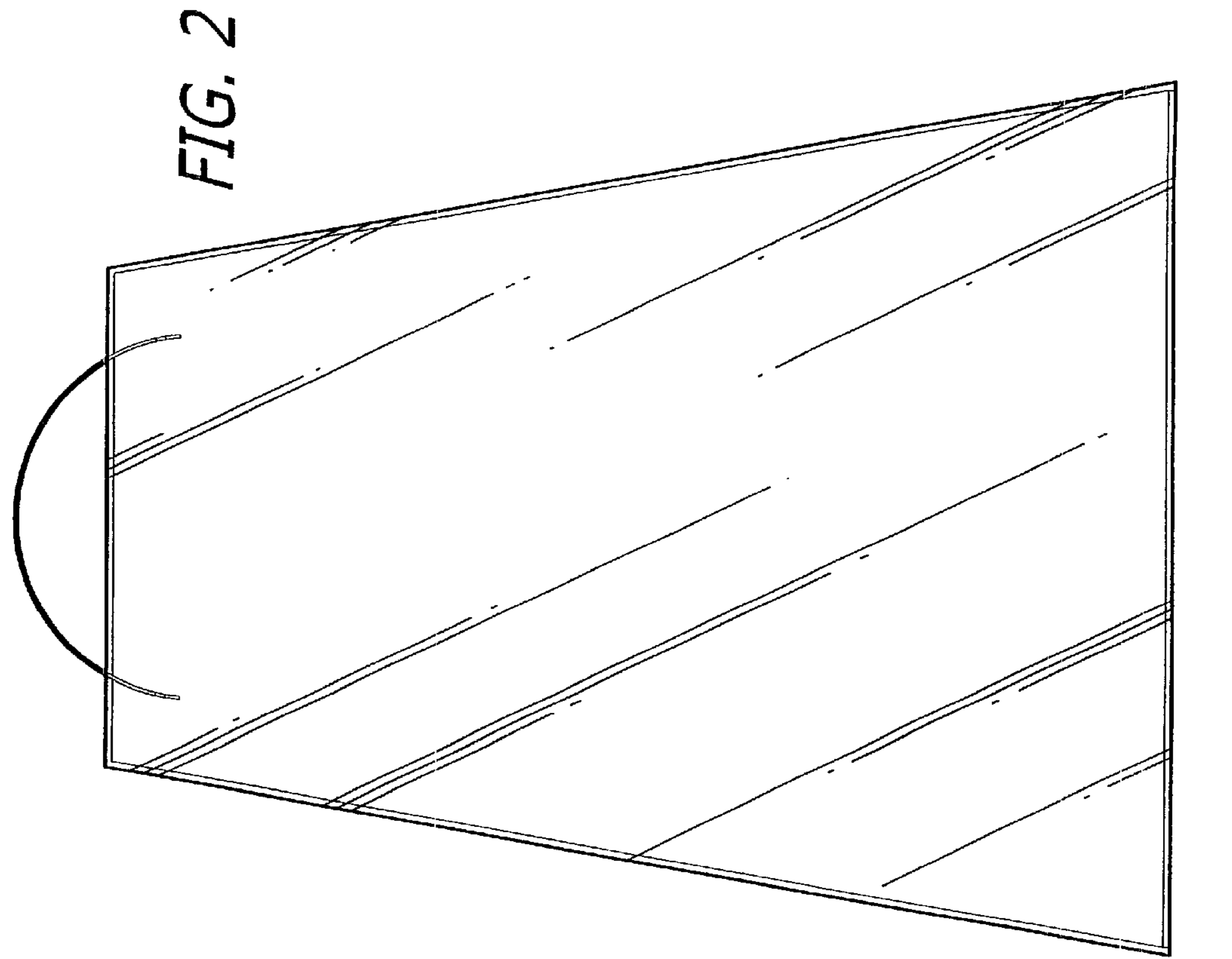
The ornamental design for a transparent display packaging, as shown and described.

**DESCRIPTION**

FIG. 1 is a perspective view of my transparent display packaging;  
FIG. 2 is a front view thereof;  
FIG. 3 is a right side view thereof with the left side view being a mirror image of the right side view;  
FIG. 4 is a rear view thereof;  
FIG. 5 is a top plan view thereof;  
FIG. 6 is a bottom plan view thereof; and,  
FIG. 7 is a perspective view of an alternative embodiment.

**1 Claim, 3 Drawing Sheets**





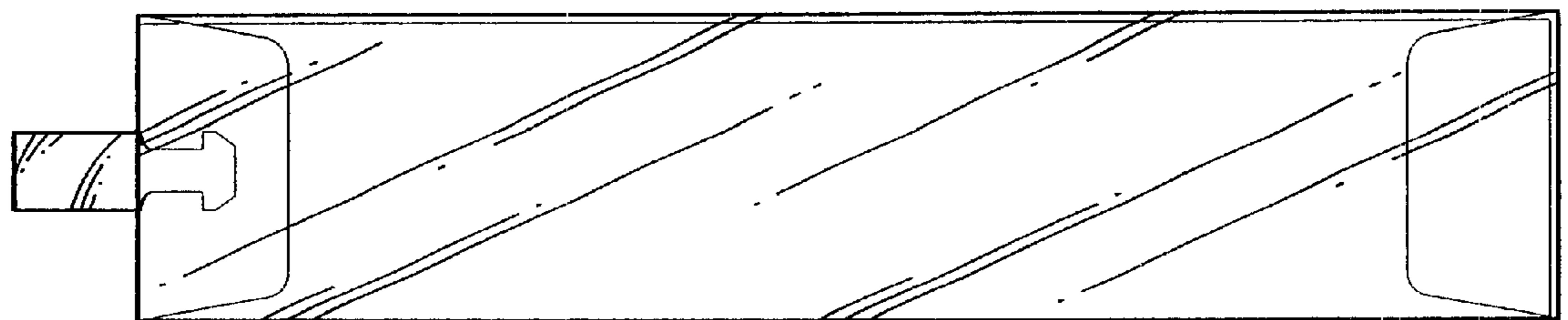


FIG. 3

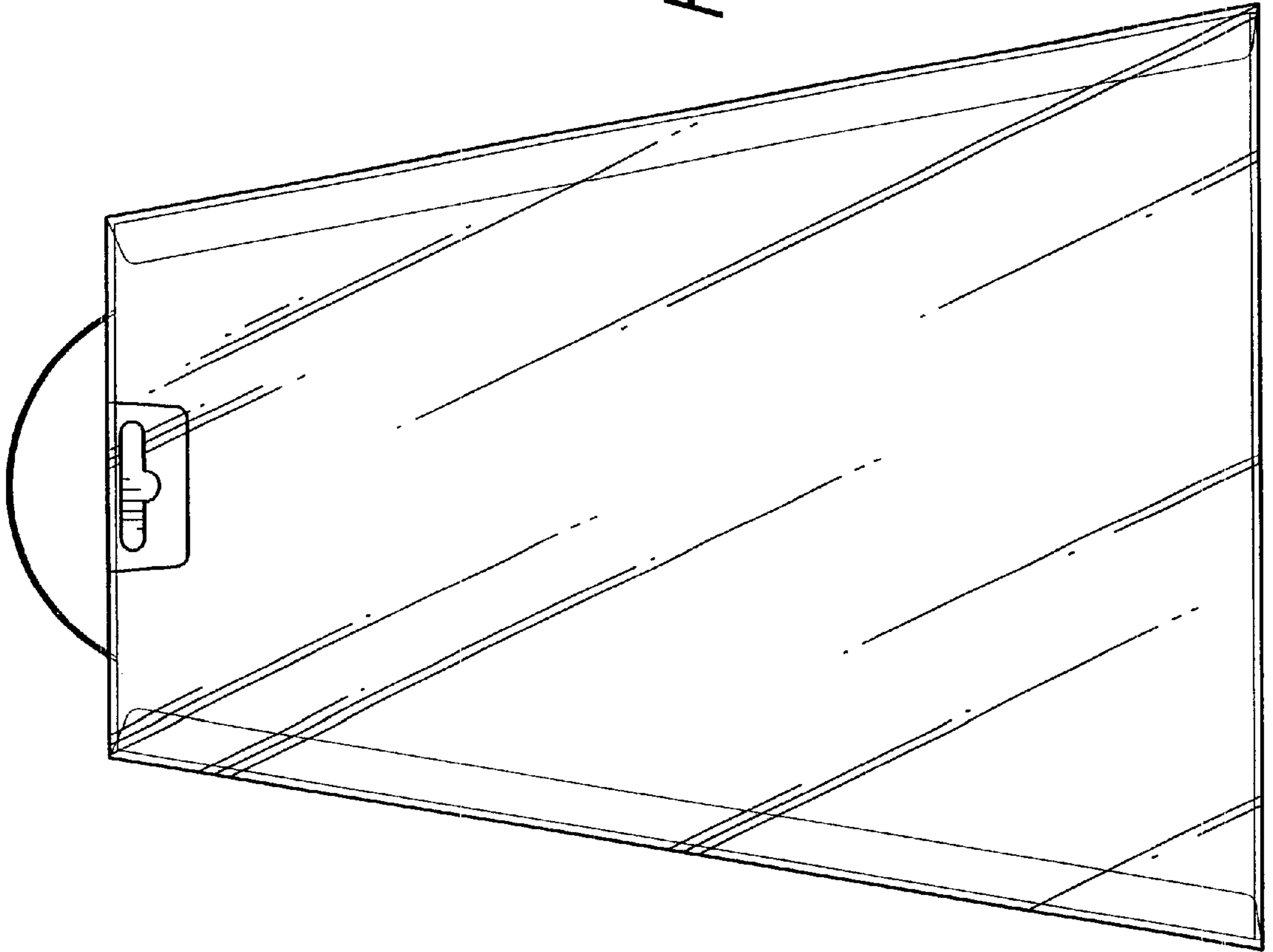


FIG. 4

FIG. 5

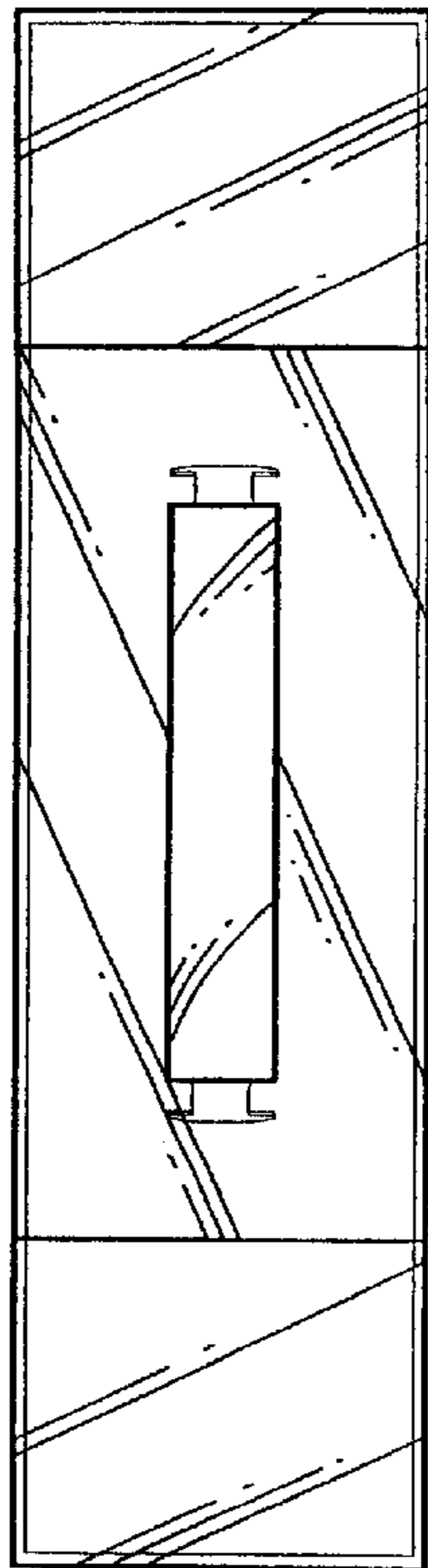


FIG. 6

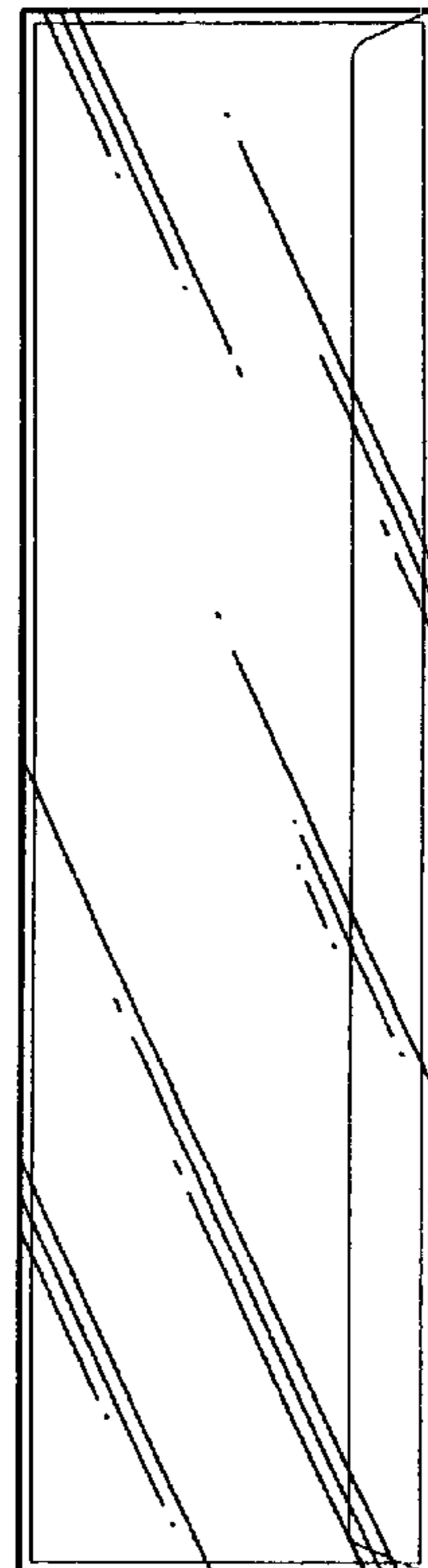


FIG. 7

