



US00D469683S

(12) **United States Design Patent** (10) **Patent No.:** **US D469,683 S**
Votruba et al. (45) **Date of Patent:** **** Feb. 4, 2003**

(54) **PROP ROD**

D451,579 S * 12/2001 Yong-Set D8/382 X

(75) Inventors: **Edward J. Votruba**, Chandler, AZ
(US); **Patrick W. Breslin**, Peoria, AZ
(US); **Michael H. Dilgard**, Tempe, AZ
(US); **David L. Simpson**, Higley, AZ
(US)

* cited by examiner

Primary Examiner—Brian N. Vinson
(74) *Attorney, Agent, or Firm*—Jeffer, Mangels, Butler &
Marmaro LLP

(73) Assignee: **U-Haul International, Inc.**, Phoenix,
AZ (US)

(57) **CLAIM**

The ornamental design for a prop rod, as shown and
described.

(**) Term: **14 Years**

DESCRIPTION

(21) Appl. No.: **29/145,880**

FIG. 1 is a right side elevational view of the prop rod in
accordance with a first embodiment of the present invention,
the left side elevational view being a mirror reflection of the
right side elevational view.

(22) Filed: **Jul. 31, 2001**

Related U.S. Application Data

FIG. 2 is a top plan view of the prop rod of FIG. 1.

(63) Continuation-in-part of application No. 09/901,375, filed on
Jul. 9, 2001, which is a continuation-in-part of application
No. 09/884,706, filed on Jun. 19, 2001.

FIG. 3 is a bottom plan view of the prop rod of FIG. 1.

(51) **LOC (7) Cl.** **08-07**

(52) **U.S. Cl.** **D8/382**

FIG. 4 is a front elevational view of the prop rod of FIG. 1.

(58) **Field of Search** D8/330, 331, 343,
D8/367, 370, 382; 292/95, 101, 288, 289

FIG. 5 is a rear elevational view of the prop rod of FIG. 1.

FIG. 6 is a right side elevational view of the prop rod in
accordance with a second embodiment of the present invention,
the left side elevational view being a mirror reflection of
the right side elevational view; and,

(56) **References Cited**

U.S. PATENT DOCUMENTS

D435,436 S * 12/2000 Lay et al. D8/370
D446,444 S * 8/2001 Sterling et al. D8/367

FIG. 7 is a right side elevational view of the prop rod in
accordance with a third embodiment of the present invention,
the left side elevational view being a mirror reflection of
the right side elevational view.

1 Claim, 2 Drawing Sheets

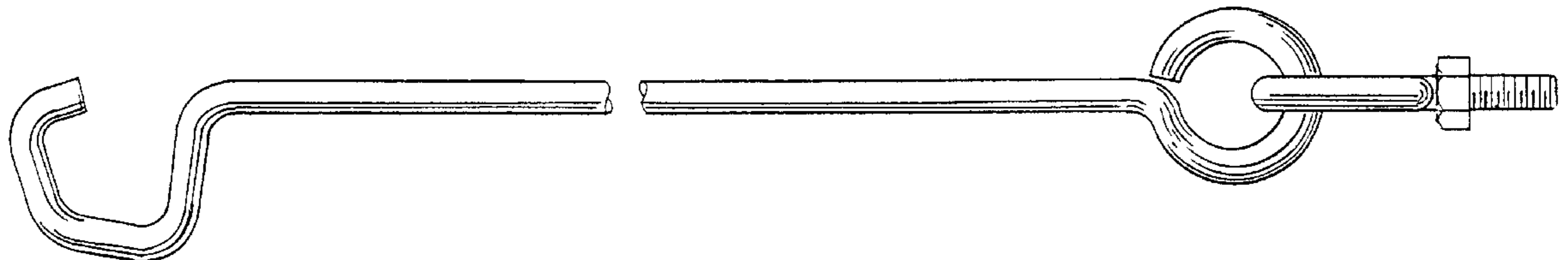


FIG. 1

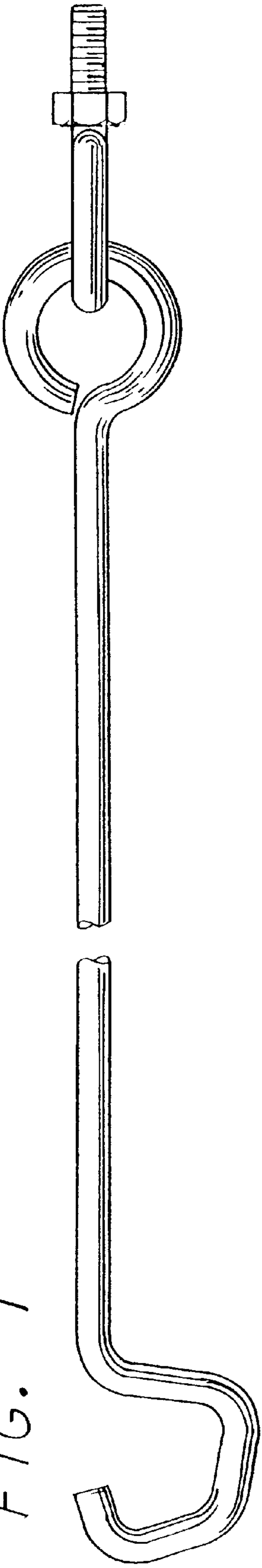


FIG. 2

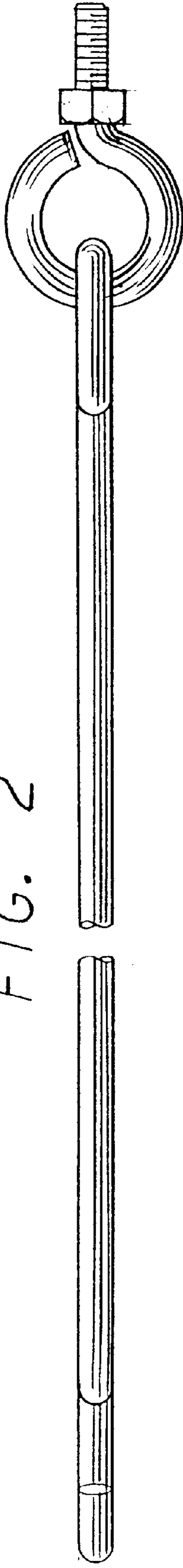


FIG. 3

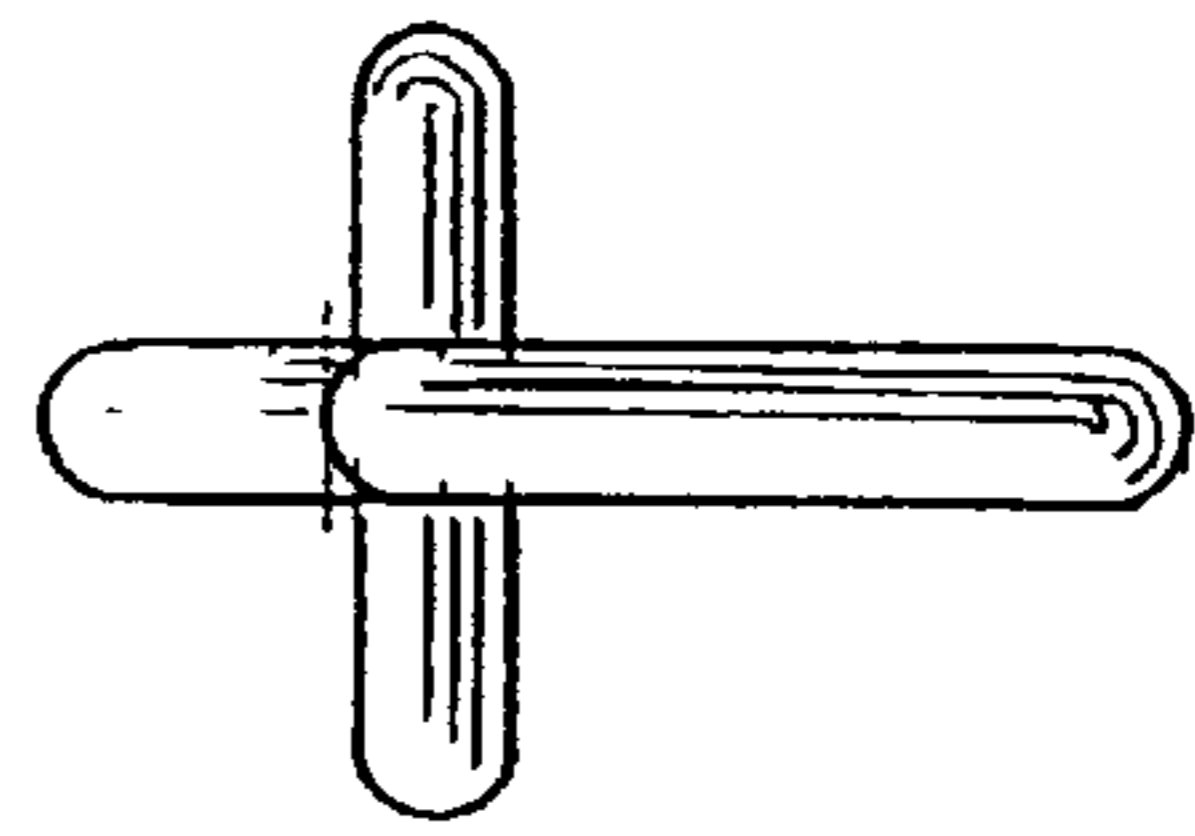


FIG. 4

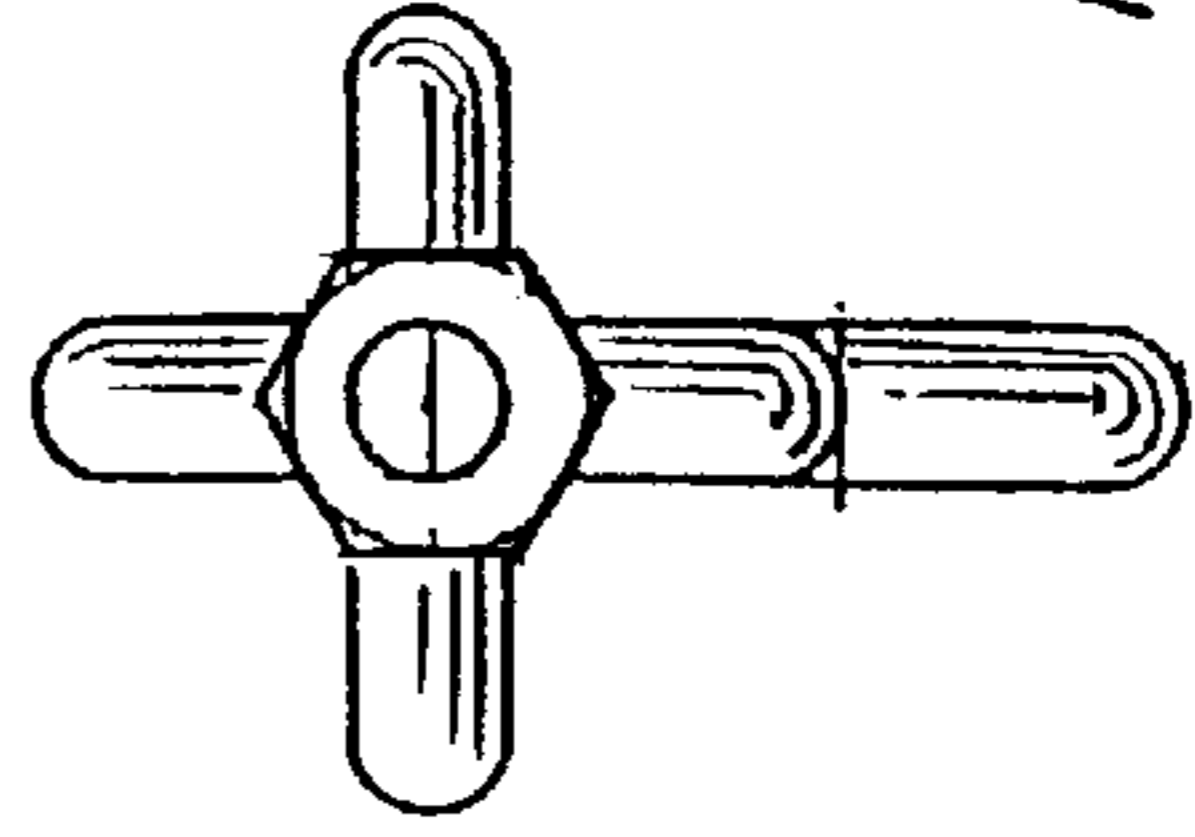


FIG. 5

