



US00D469679S

(12) **United States Design Patent**
Nykoluk

(10) **Patent No.:** **US D469,679 S**

(45) **Date of Patent:** **** Feb. 4, 2003**

(54) **TOWING HANDLE FOR A PIECE OF BAGGAGE**

(75) Inventor: **Cory O. Nykoluk**, St. Louis, MO (US)

(73) Assignee: **TRG Accessories, L.L.C.**, St. Louis, MO (US)

(**) Term: **14 Years**

(21) Appl. No.: **29/155,220**

(22) Filed: **Feb. 5, 2002**

(51) **LOC (7) Cl.** **08-06**

(52) **U.S. Cl.** **D8/307; D8/302**

(58) **Field of Search** **D8/300, 301-2, D8/306, 307, 316; D3/318, 323, 279; 190/115-118; 16/110.1, 113.1, 429**

(56) **References Cited**

U.S. PATENT DOCUMENTS

3,744,084	A	*	7/1973	Fankhouser	16/429
4,561,526	A	*	12/1985	Winter et al.	16/113.1
5,394,965	A	*	3/1995	Kho	16/113.1
5,464,080	A	*	11/1995	Liang	190/115
D424,400	S	*	5/2000	Lin	D8/302
6,279,706	B1	*	8/2001	Mao	16/113.1
D455,635	S	*	4/2002	Chen	D8/316

* cited by examiner

Primary Examiner—B. J. Bullock
(74) *Attorney, Agent, or Firm*—Lewis, Rice & Fingersh, L.C.

(57) **CLAIM**

The ornamental design for a towing handle for a piece of baggage, as shown and described.

DESCRIPTION

FIG. 1 is a front view of a first embodiment of a towing handle for a piece of baggage showing my new design, the rear view being a mirror image thereof;

FIG. 2 is a top view of the towing handle of FIG. 1;

FIG. 3 is a bottom view of the towing handle of FIG. 1;

FIG. 4 is a right side view of the towing handle of FIG. 1, the left side view being a mirror image thereof;

FIG. 5 is a perspective view of the towing handle of FIG. 1;

FIG. 6 is a front view of a second embodiment of a towing handle for a piece of baggage showing my new design, the rear view being a mirror image thereof;

FIG. 7 is a top view of the towing handle of FIG. 6;

FIG. 8 is a bottom view of the towing handle of FIG. 6;

FIG. 9 is a right side view of the towing handle of FIG. 6, the left side view being a mirror image thereof; and,

FIG. 10 is a perspective view of the towing handle of FIG. 6.

1 Claim, 4 Drawing Sheets



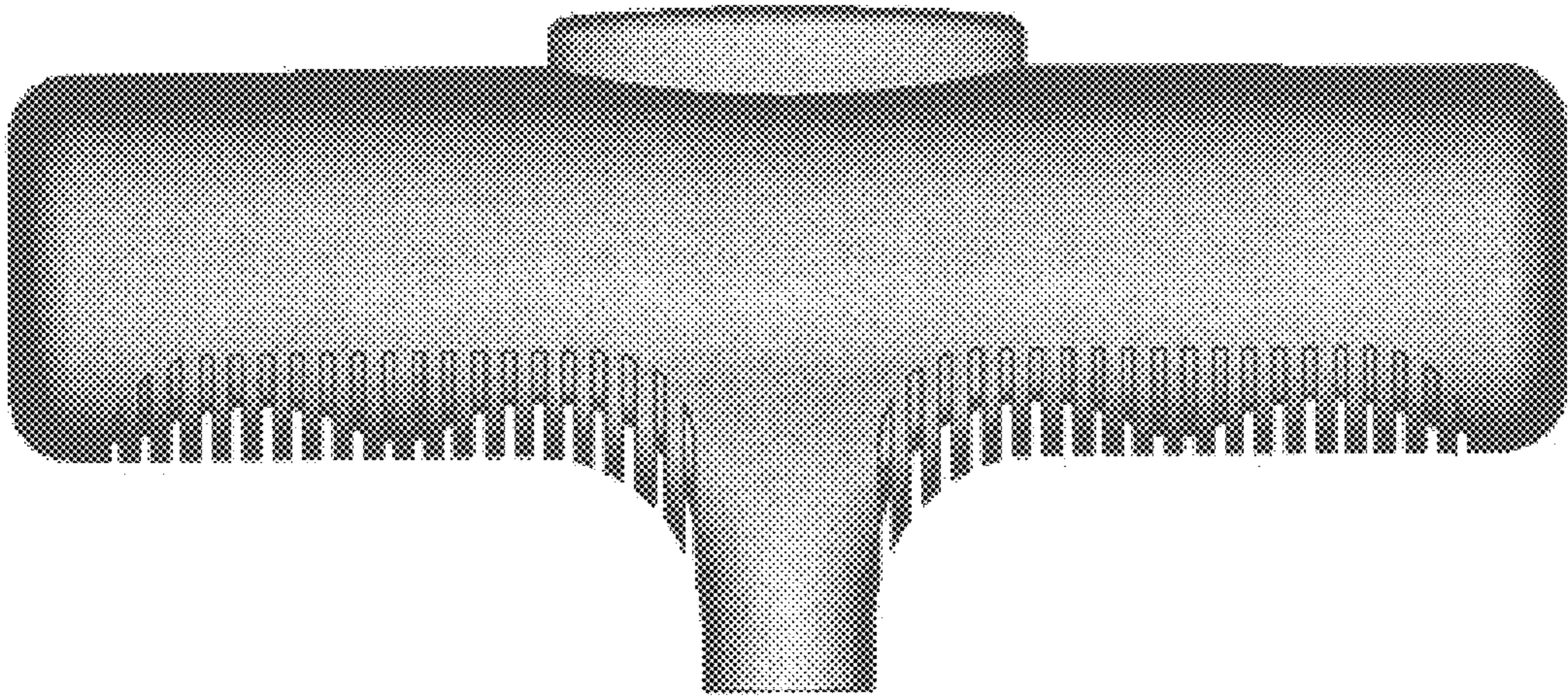


FIG. 1

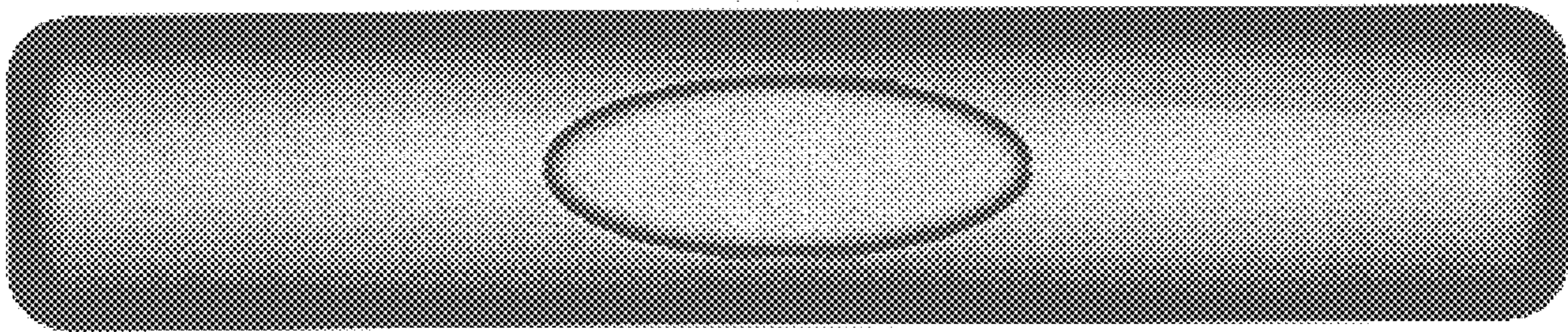


FIG. 2

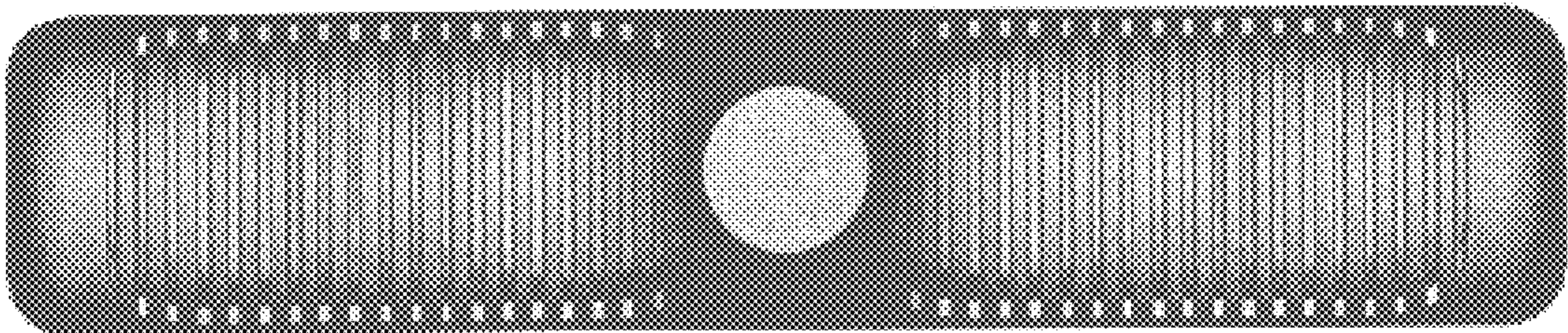


FIG. 3

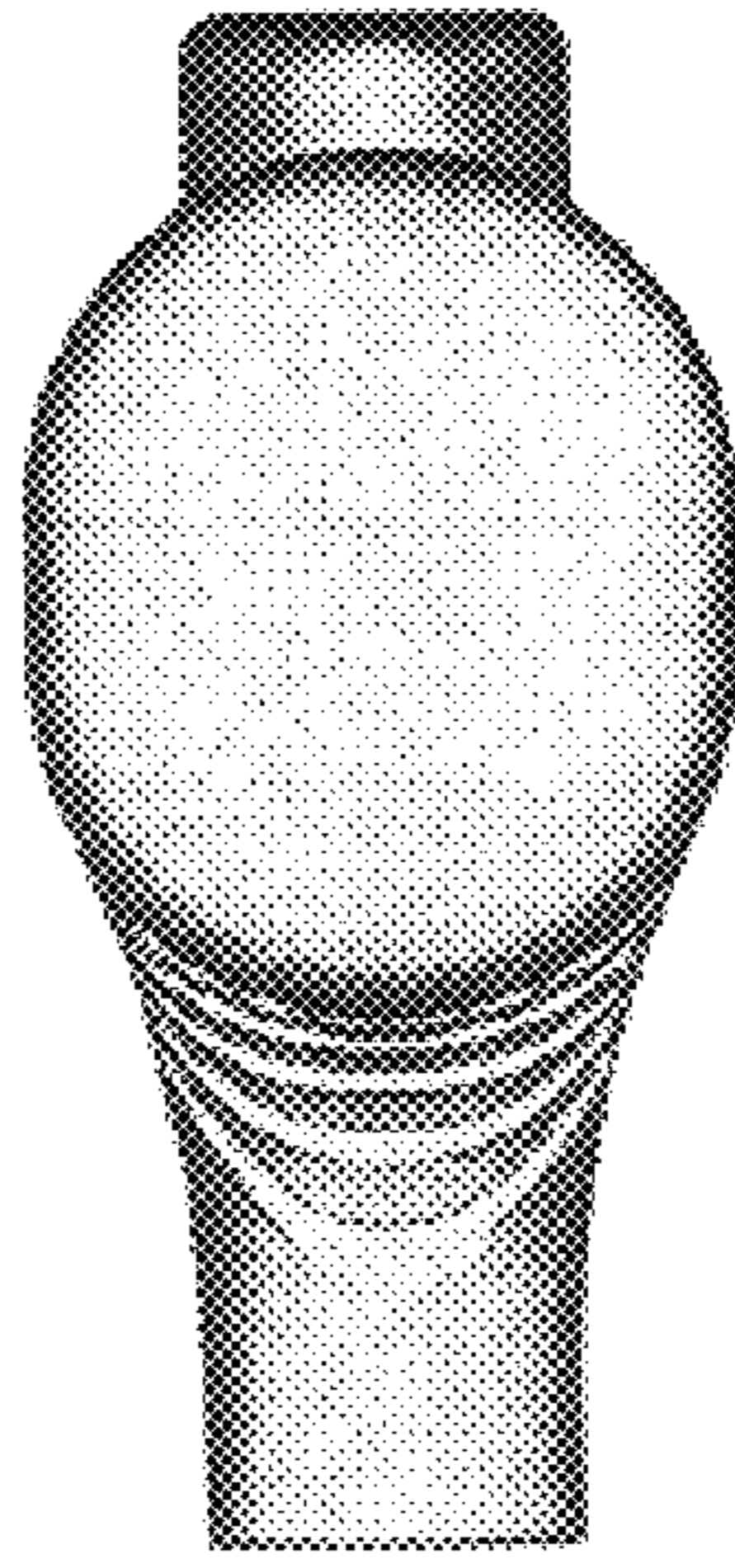


FIG. 4

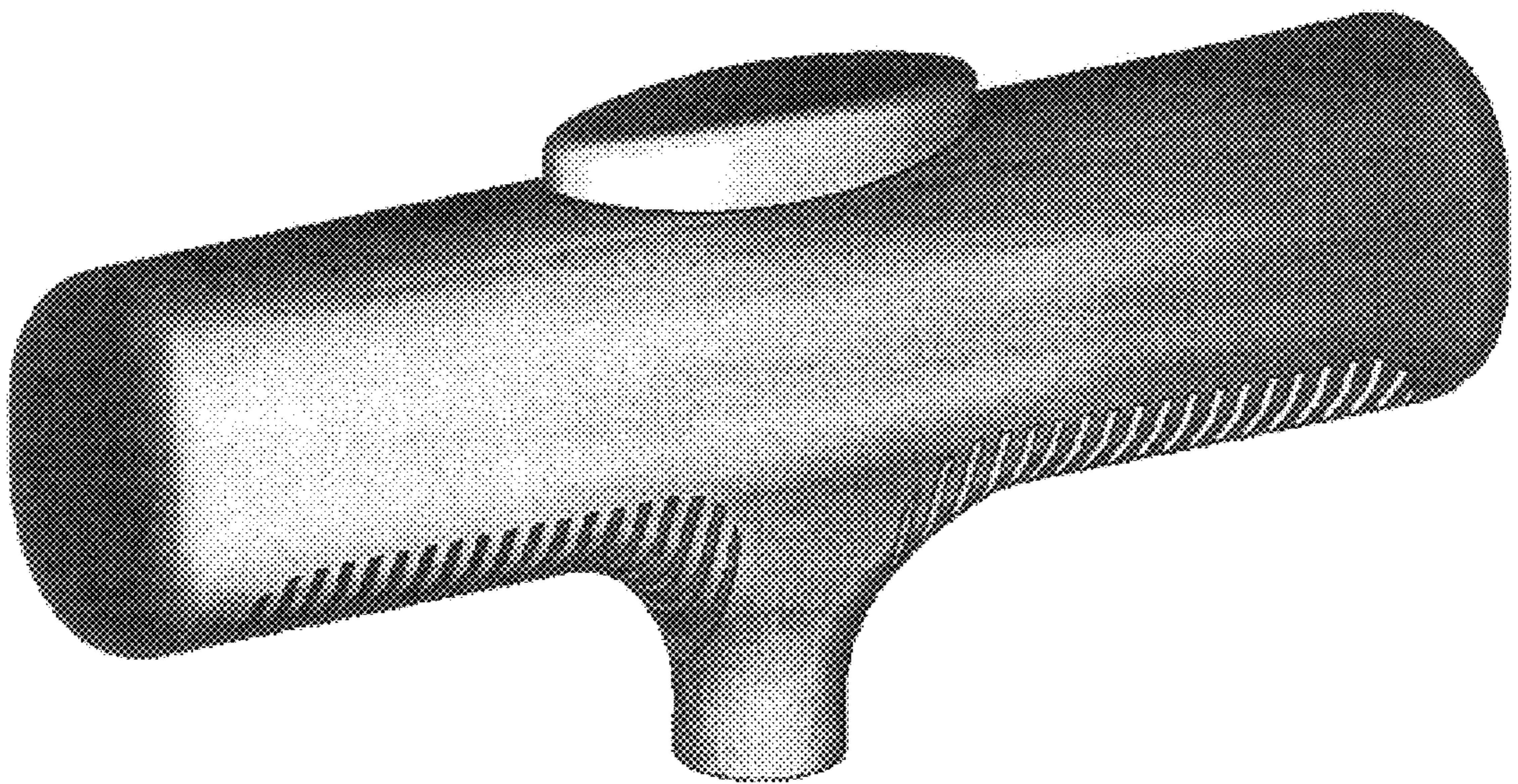


FIG. 5

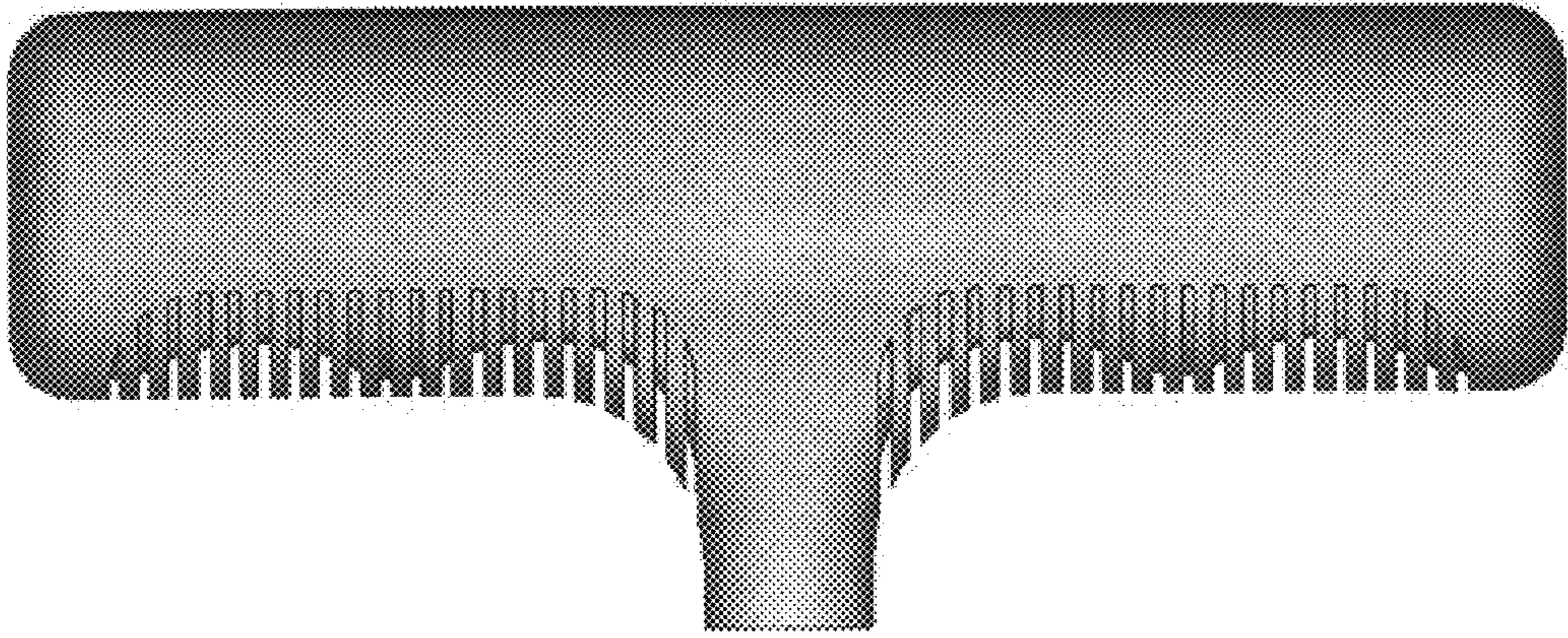


FIG. 6

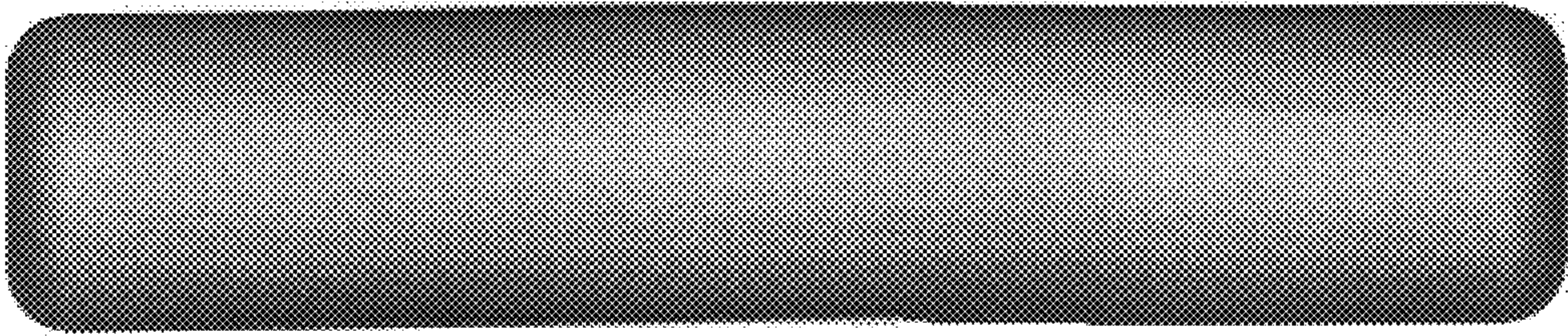


FIG. 7

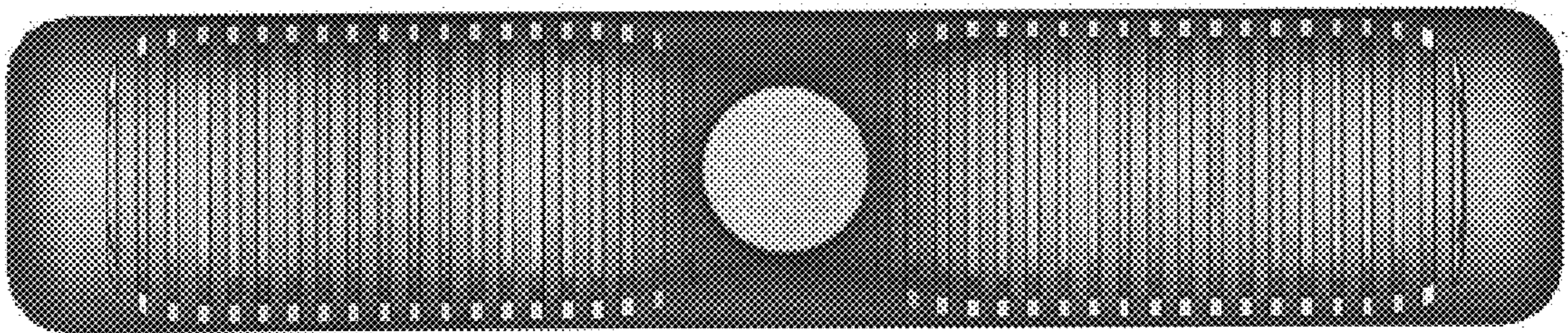


FIG. 8

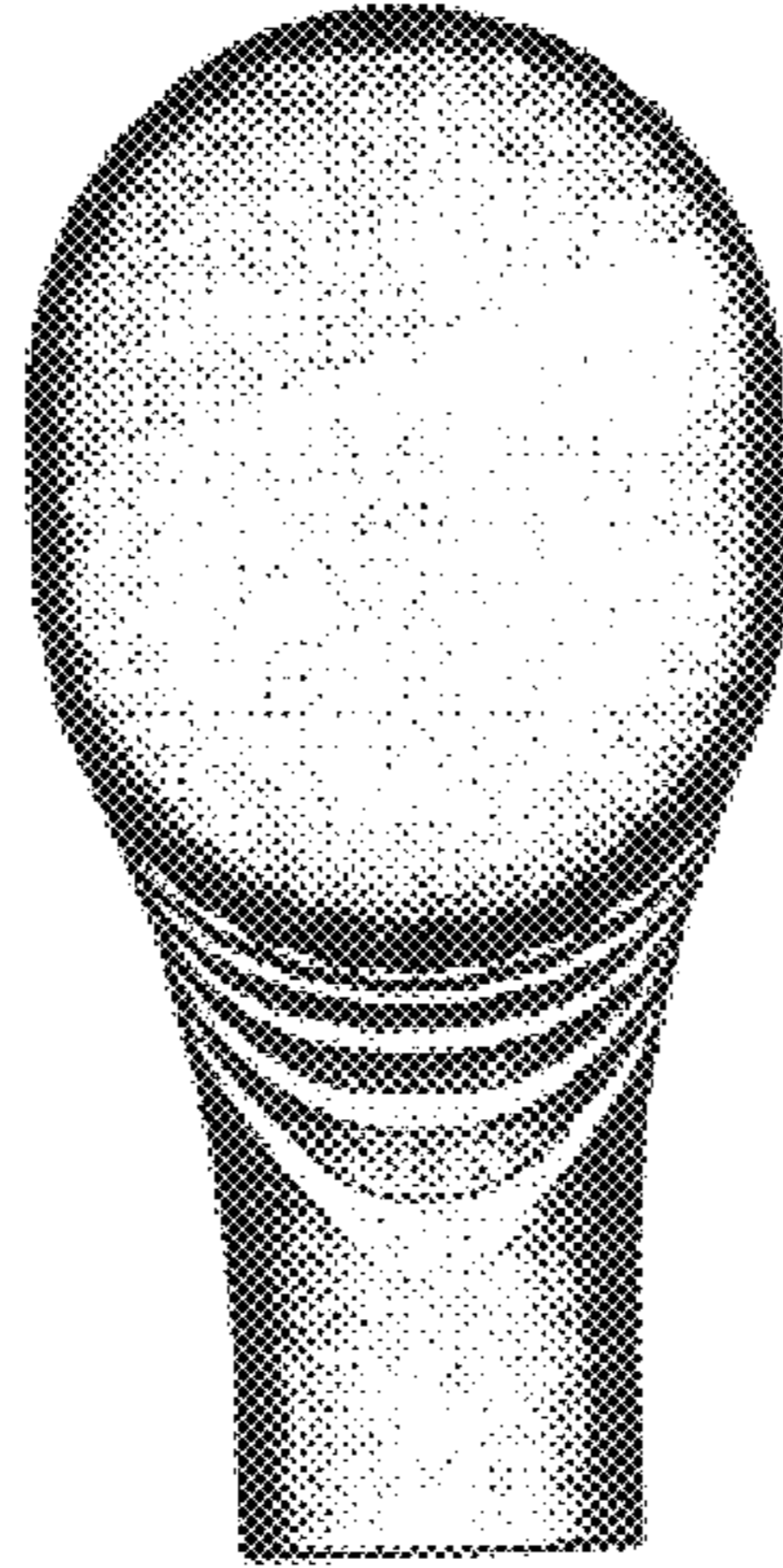


FIG. 9

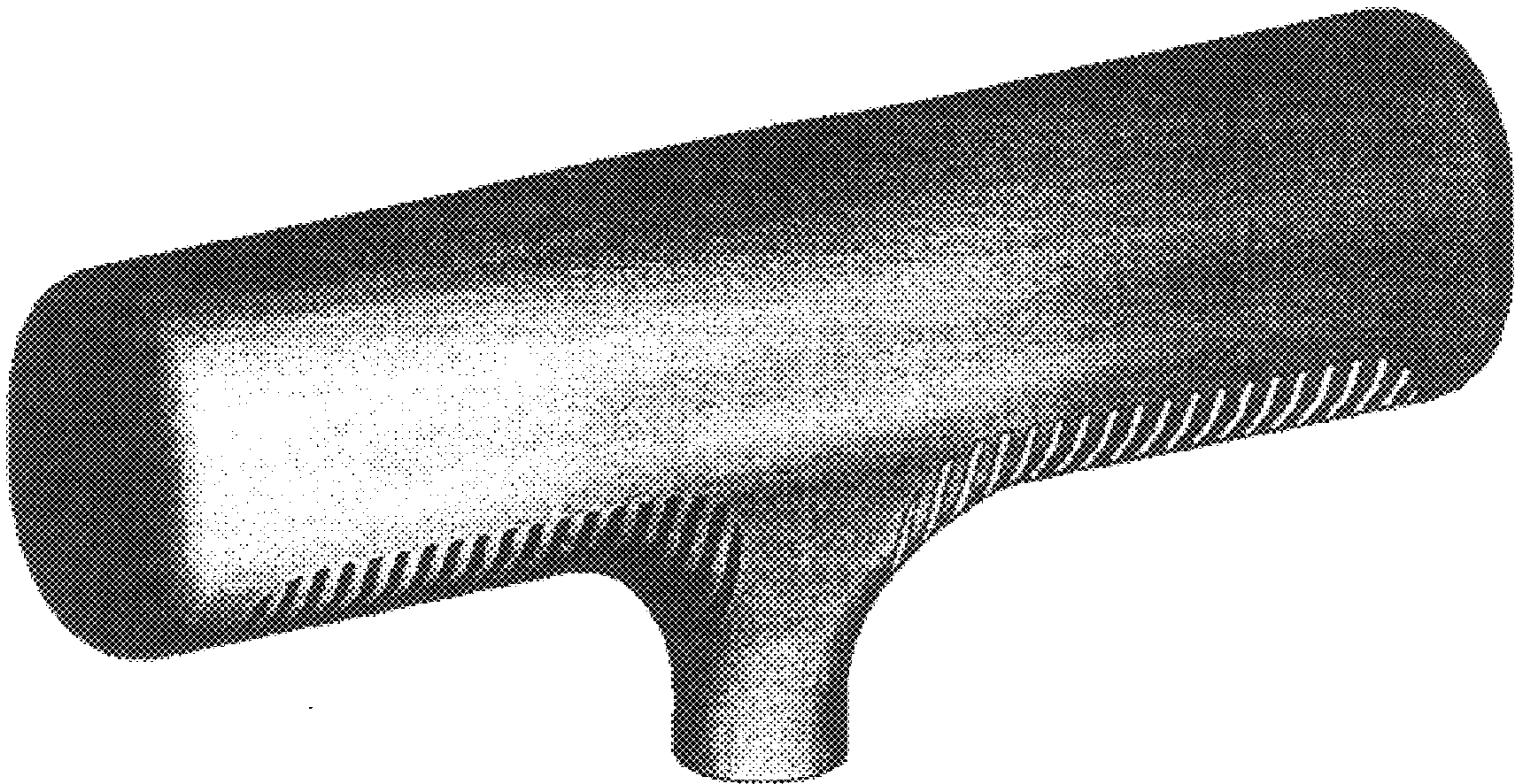


FIG. 10