



US00D469678S

(12) **United States Design Patent**
Teskey

(10) **Patent No.:** **US D469,678 S**

(45) **Date of Patent:** **** Feb. 4, 2003**

- (54) **LATCH HOUSING WITH D-RING HANDLE**
- (75) Inventor: **Gregg A. Teskey**, Trabuco Canyon, CA (US)
- (73) Assignee: **Ryadon, Inc.**, Foothill Ranch, CA (US)
- (**) Term: **14 Years**
- (21) Appl. No.: **29/154,651**
- (22) Filed: **Jan. 23, 2002**
- (51) **LOC (7) Cl.** **08-06**
- (52) **U.S. Cl.** **D8/301; D8/306; D8/350**
- (58) **Field of Search** **D8/300-302, 306, D8/350, 352, 353, 335, 341; 292/336.3, 347, 356, 357, DIG. 12, DIG. 30, DIG. 23, DIG. 31, DIG. 67; 70/101, 91, 211, 208; 88/315-320**

(56) **References Cited**

U.S. PATENT DOCUMENTS

2,668,076	A	2/1954	Troche et al.	
2,763,503	A	9/1956	Tasch et al.	
2,916,905	A	12/1959	Podlesak	
3,209,564	A	10/1965	Pelcin	
4,706,478	A	11/1987	Swan et al.	
4,907,921	A	3/1990	Akright	
4,989,907	A	2/1991	Edmonds et al.	
D316,365	S	4/1991	Hansen et al.	
D317,398	S	6/1991	Hansen et al.	
5,042,853	A	8/1991	Gleason et al.	
5,052,869	A	10/1991	Hansen, II	
D323,776	S	2/1992	Hansen	
D323,970	S	* 2/1992	Schlack	D8/306
D328,231	S	7/1992	Hansen	
5,526,660	A	6/1996	Bennett et al.	
D389,393	S	* 1/1998	Hansen	
5,820,174	A	10/1998	Parikh et al.	

* cited by examiner

Primary Examiner—B. J. Bullock
(74) *Attorney, Agent, or Firm*—Fulwider Patton Lee and Utecht, LLP

(57) **CLAIM**

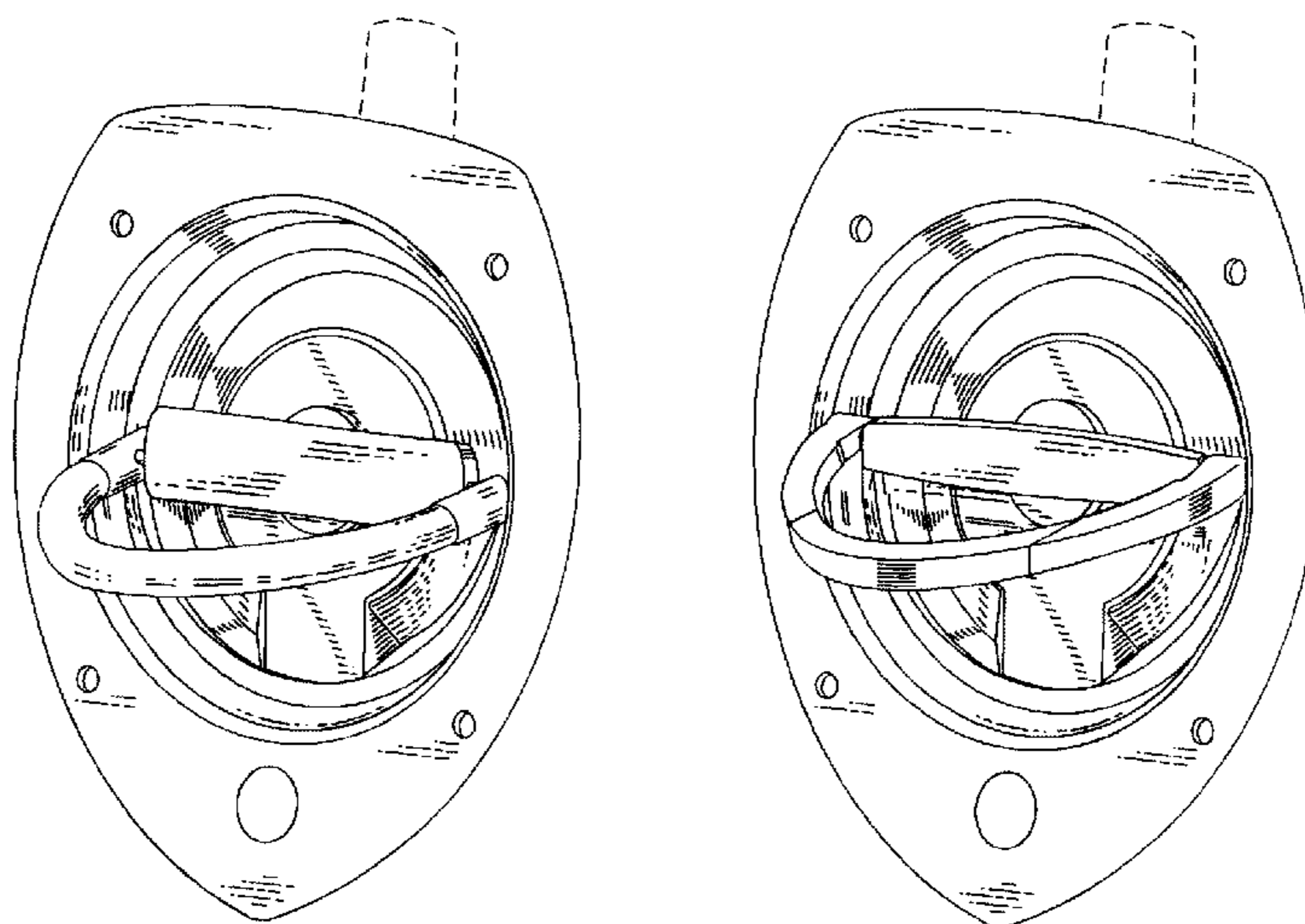
The ornamental design for a latch housing with D-ring handle, as shown and described.

DESCRIPTION

FIG. 1 is a forward left perspective view of a first embodiment with the handle in a stowed position showing my new design;
 FIG. 2 is a front view thereof;
 FIG. 3 is a rear view thereof;
 FIG. 4 is a left hand end view thereof;
 FIG. 5 is a right hand end view thereof;
 FIG. 6 is a top view thereof;
 FIG. 7 is a bottom view thereof;
 FIG. 8 is a forward left perspective view of the first embodiment with handle extended;
 FIG. 9 is a top view of the embodiment illustrated in FIG. 8;
 FIG. 10 is a forward left perspective view with handle in a stowed position illustrating an alternative embodiment of my new design;
 FIG. 11 is a front view thereof;
 FIG. 12 is a rear view thereof;
 FIG. 13 is a left hand view thereof;
 FIG. 14 is a right hand end view thereof;
 FIG. 15 is a top view thereof;
 FIG. 16 is a bottom view thereof;
 FIG. 17 is a forward left perspective view thereof with handle extended; and,
 FIG. 18 is a top view of the embodiment illustrated in FIG. 17.

The broken line disclosure in each figure is for illustrative purposes only and forms no part of the claimed design.

1 Claim, 4 Drawing Sheets



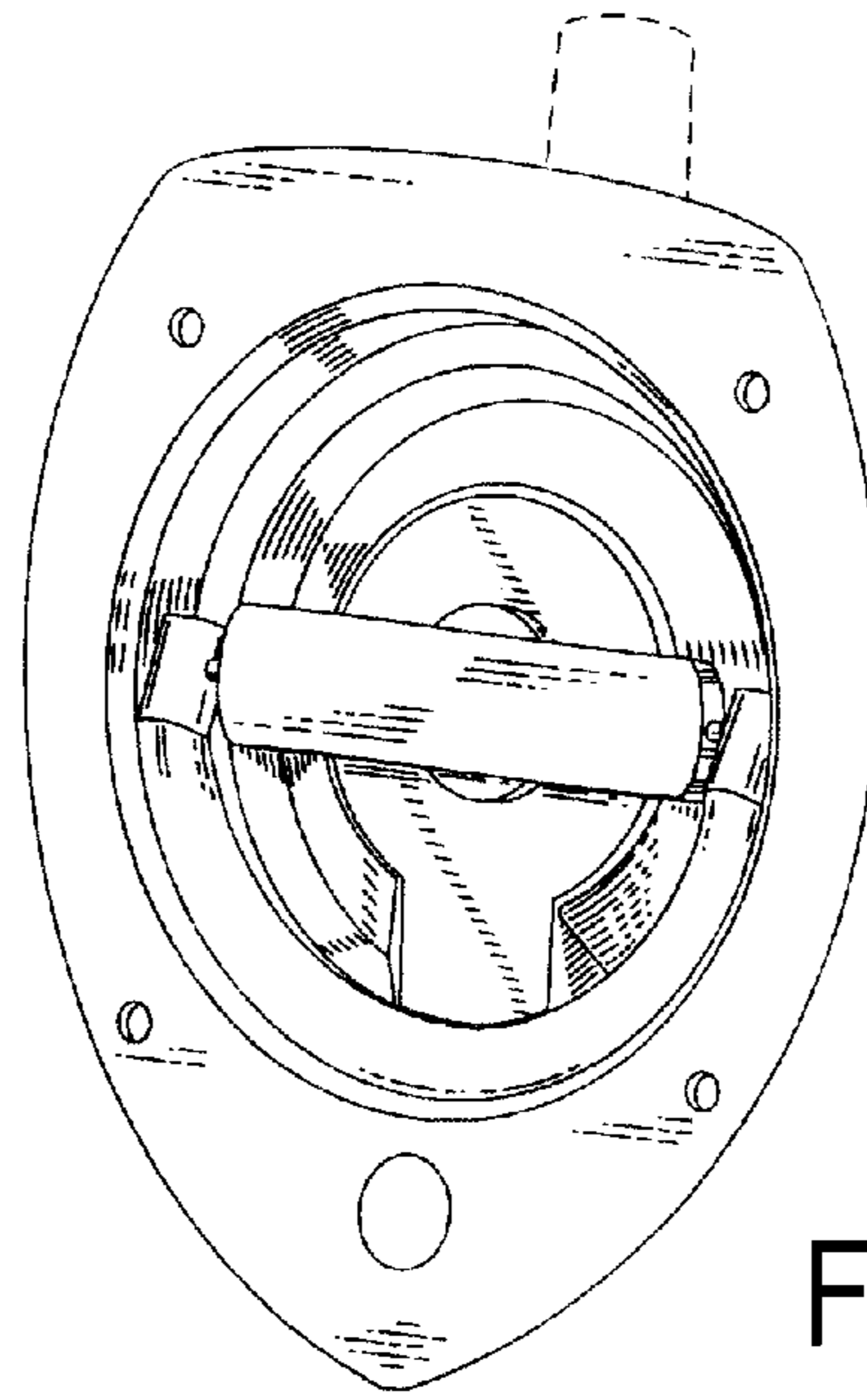


FIG. 1

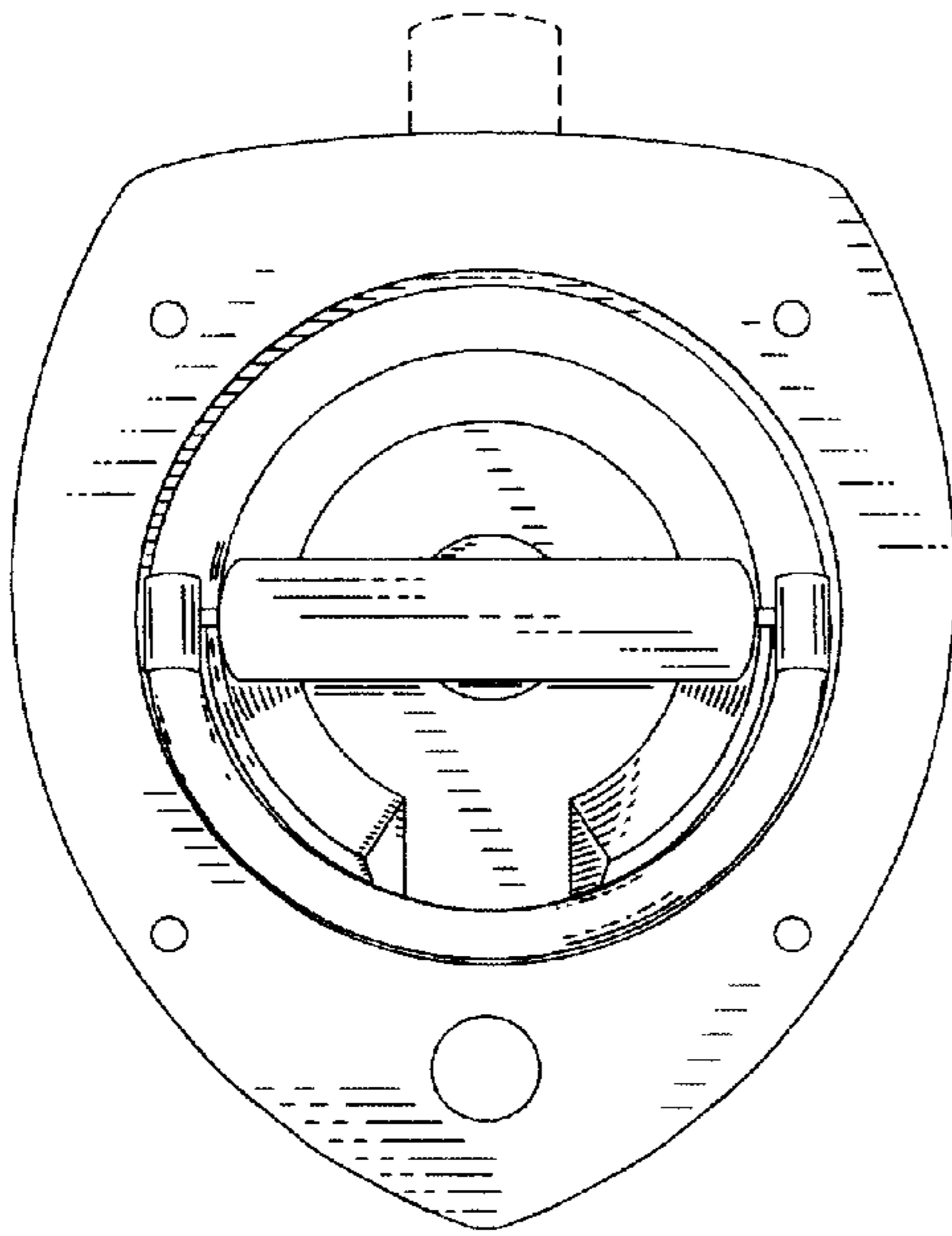


FIG. 2

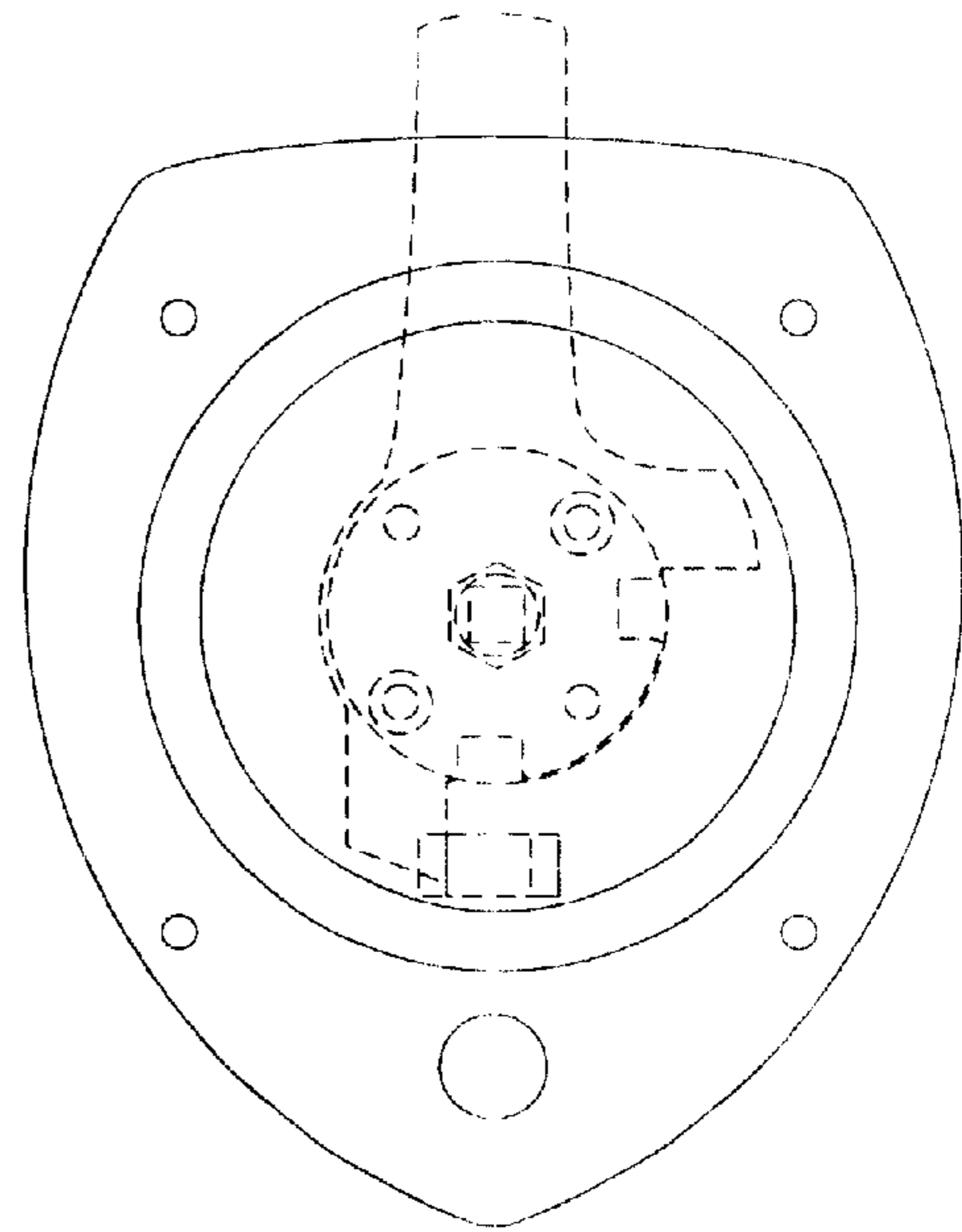


FIG. 3

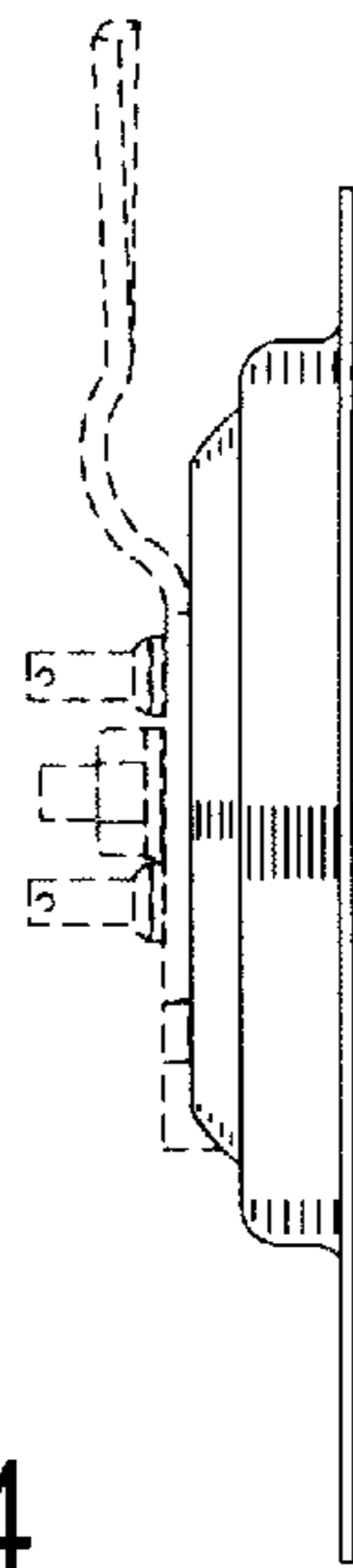


FIG. 4

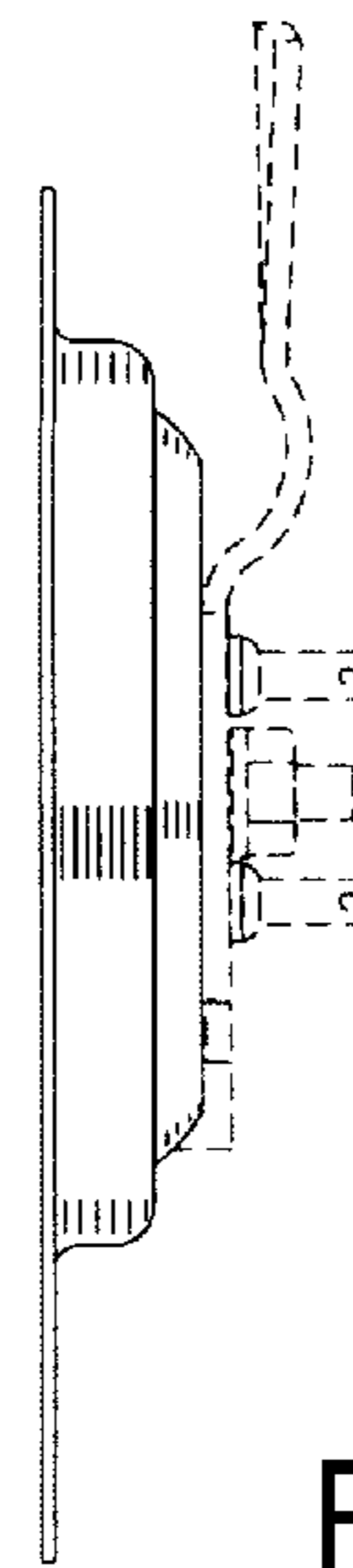


FIG. 5

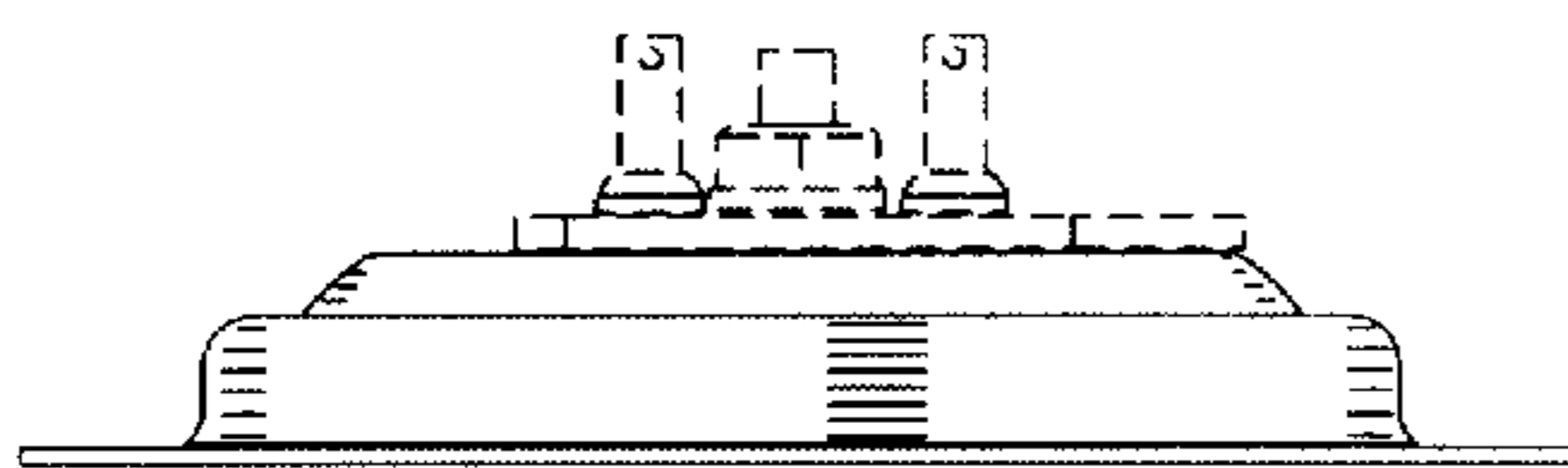


FIG. 6

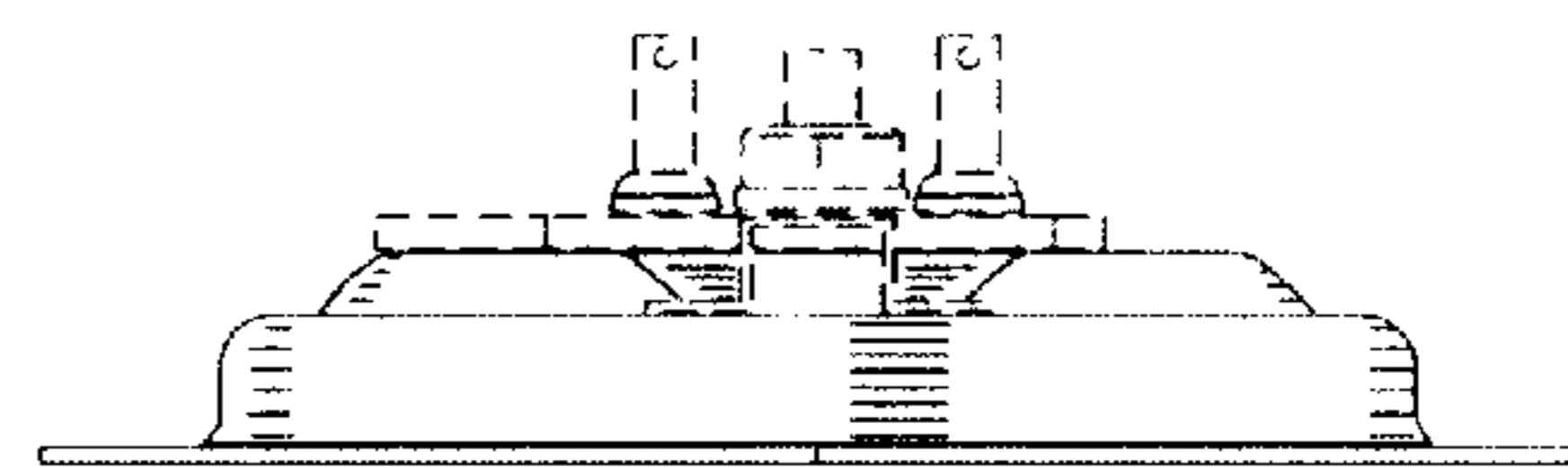


FIG. 7

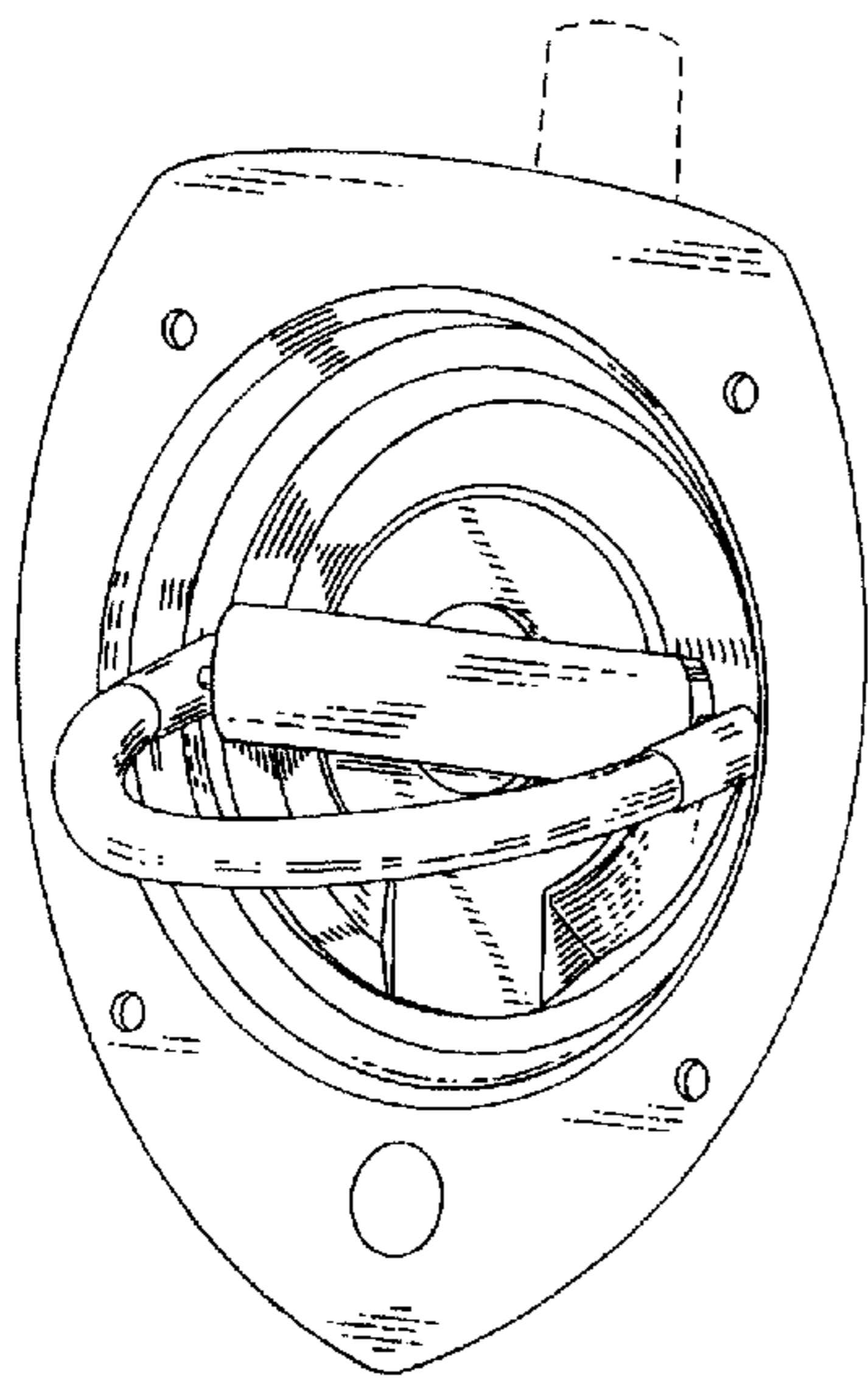


FIG. 8

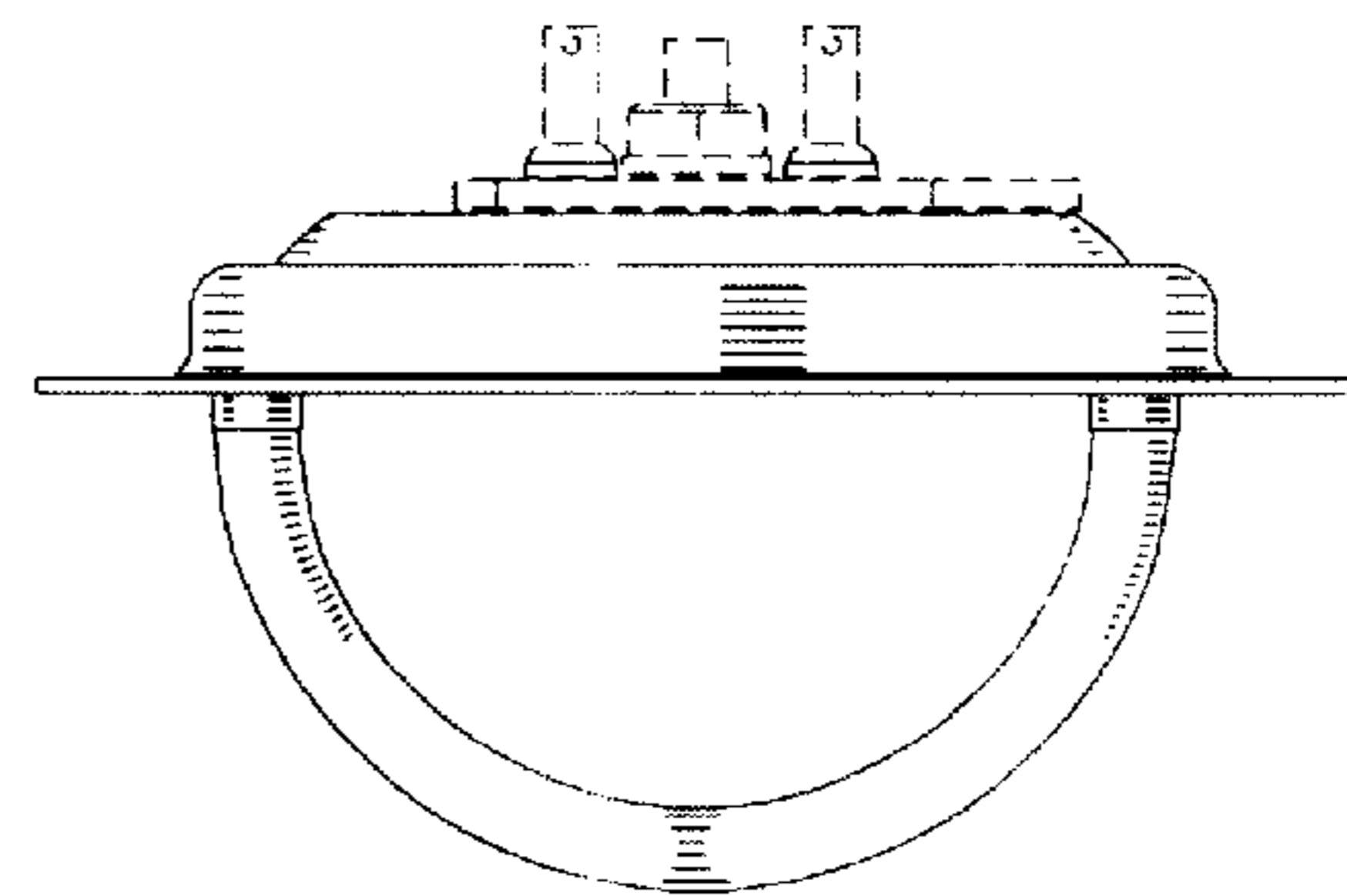


FIG. 9

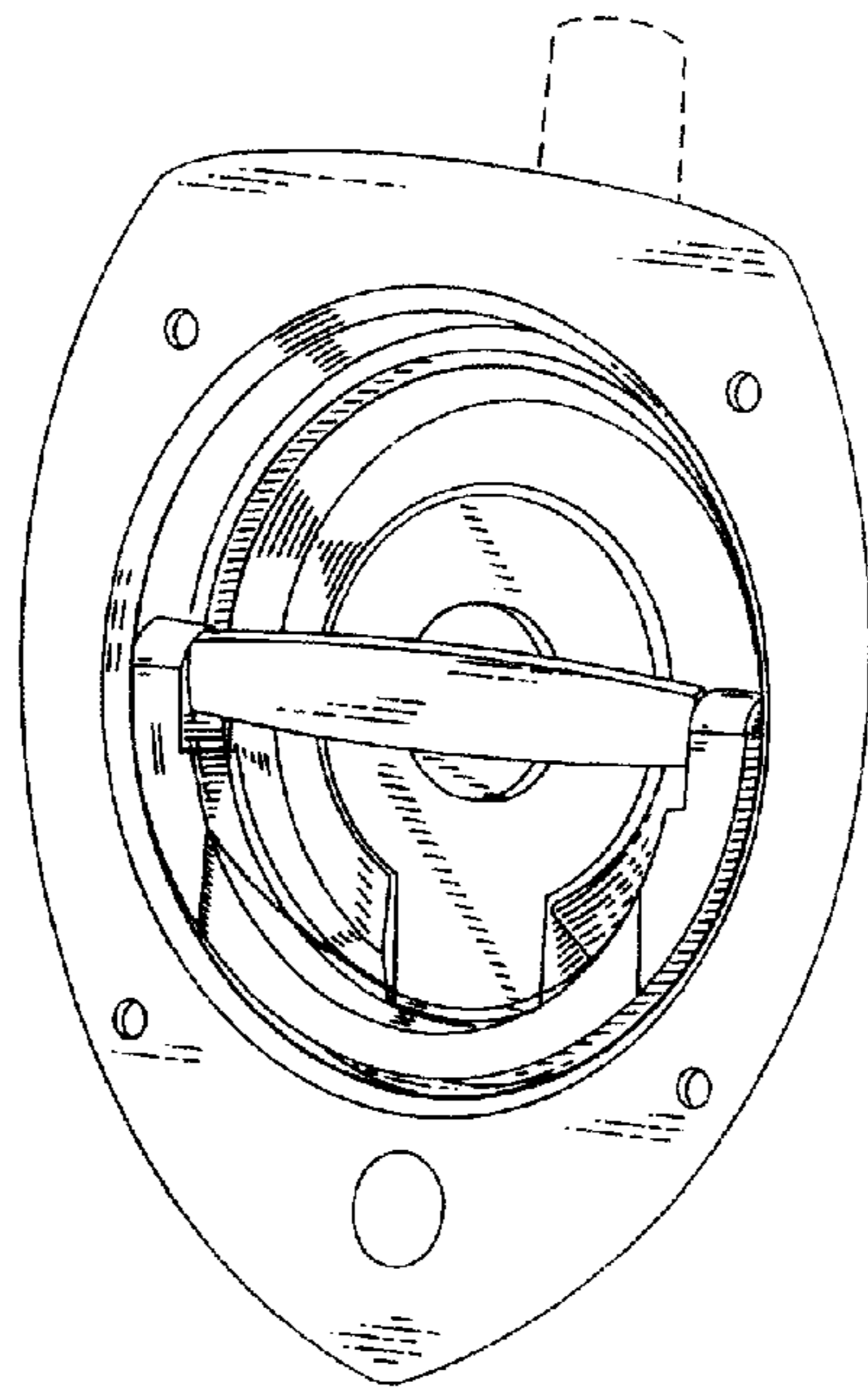


FIG. 10

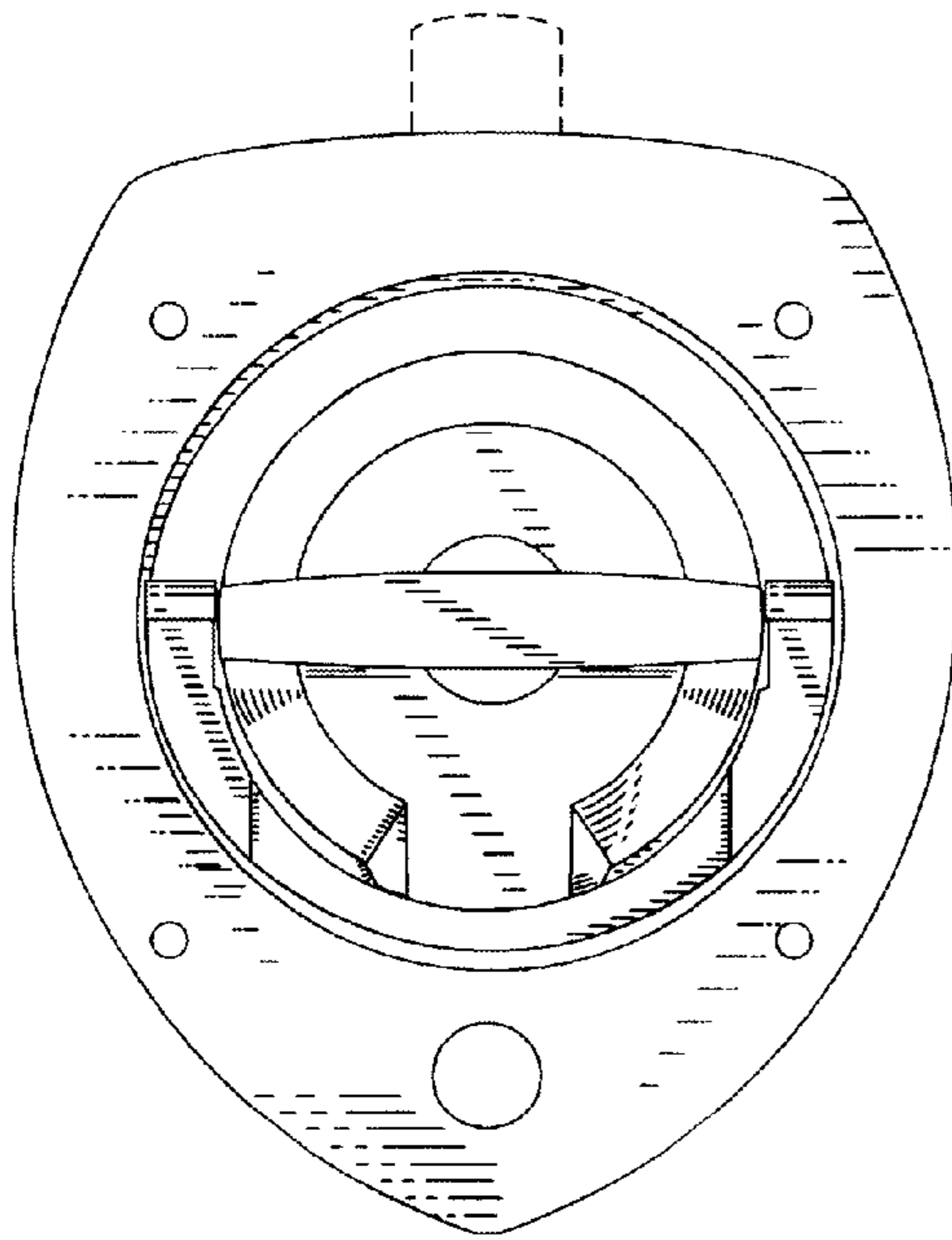


FIG. 11

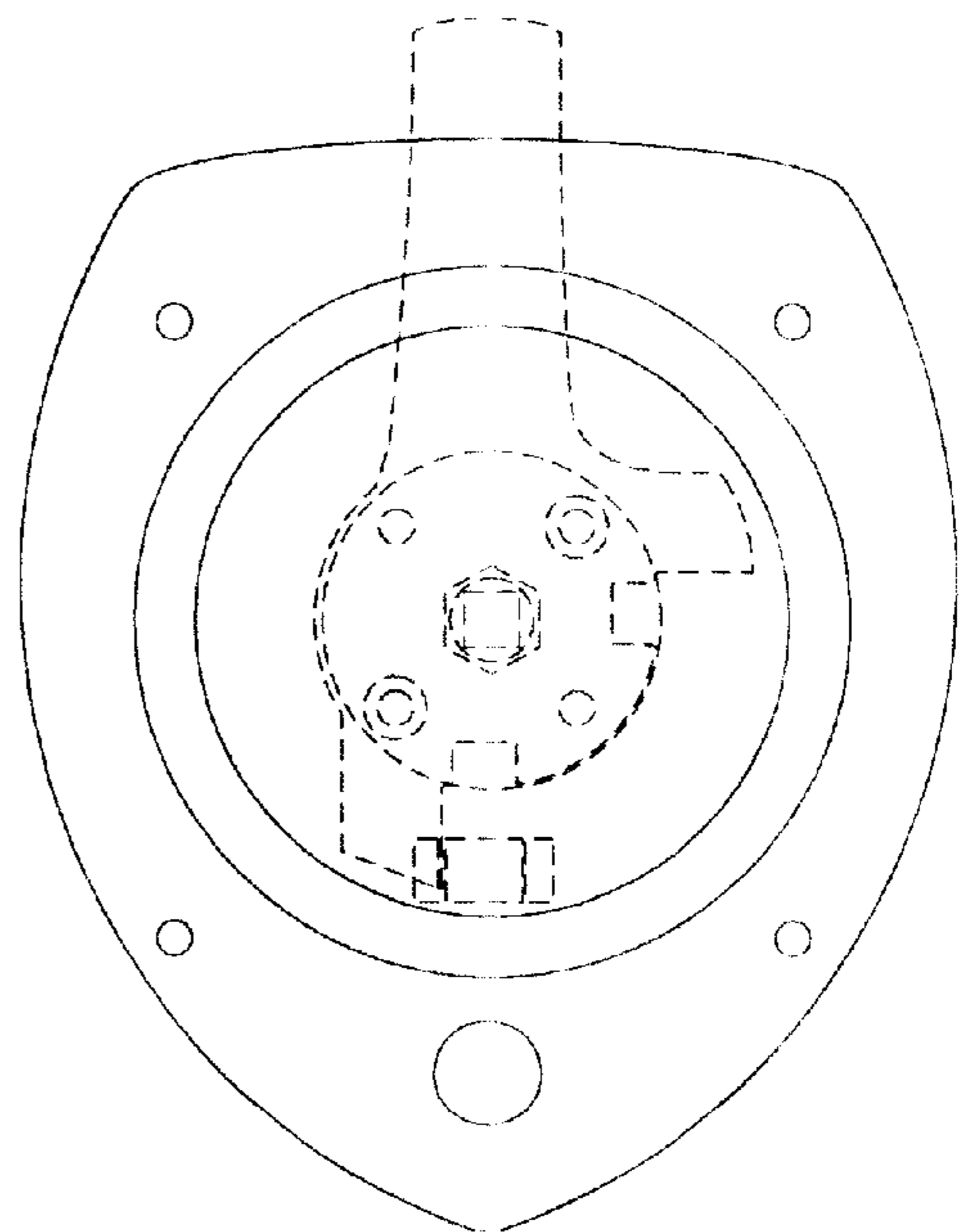


FIG. 12

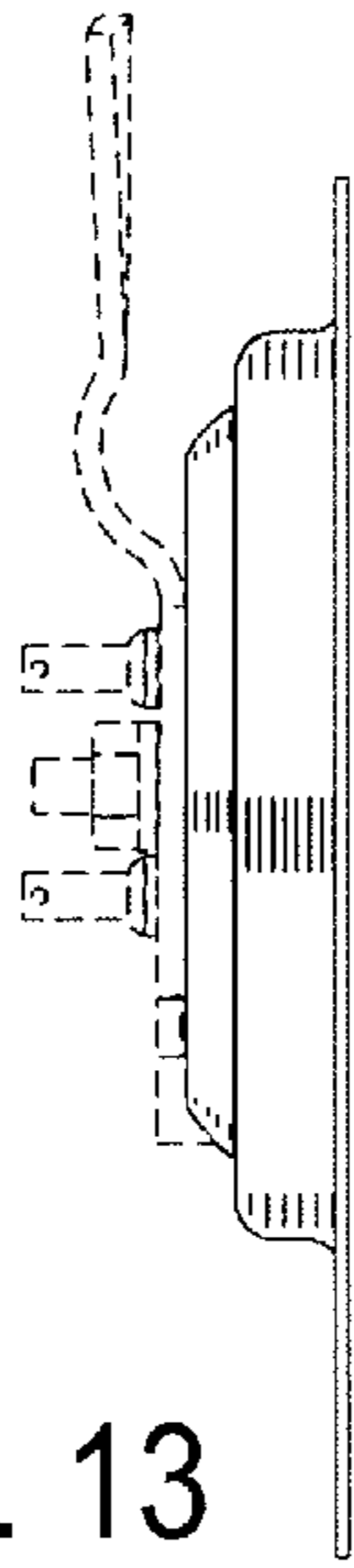


FIG. 13

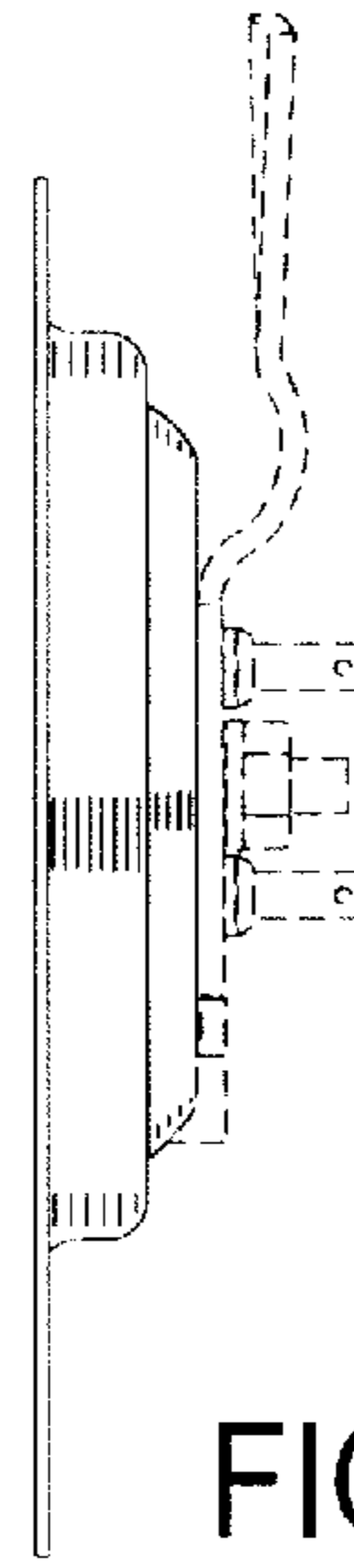


FIG. 14

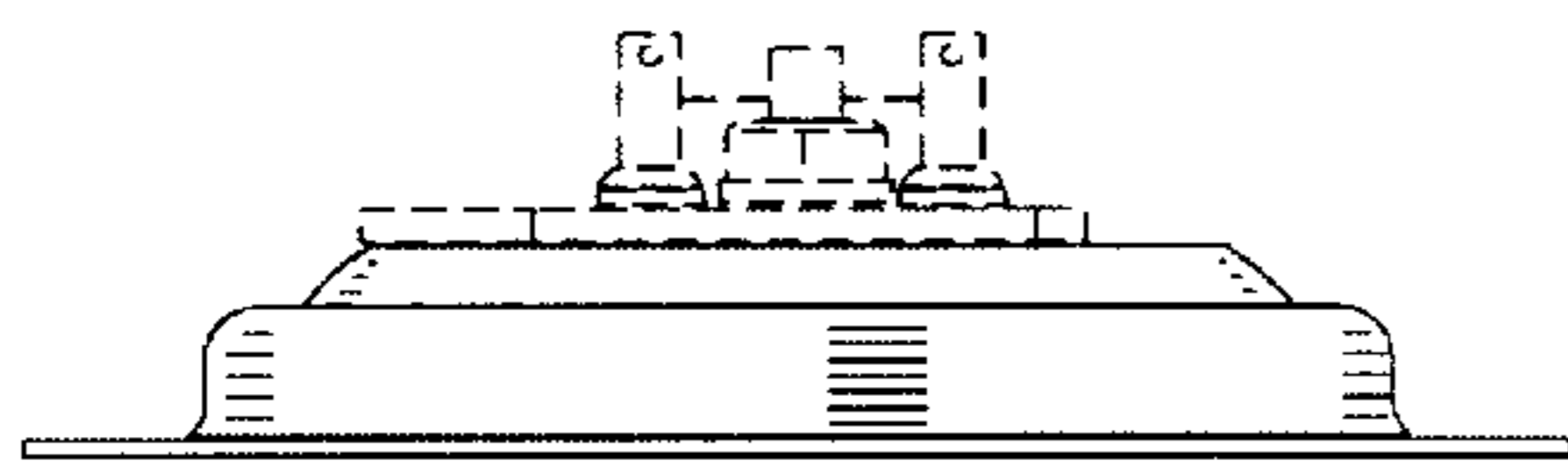


FIG. 15

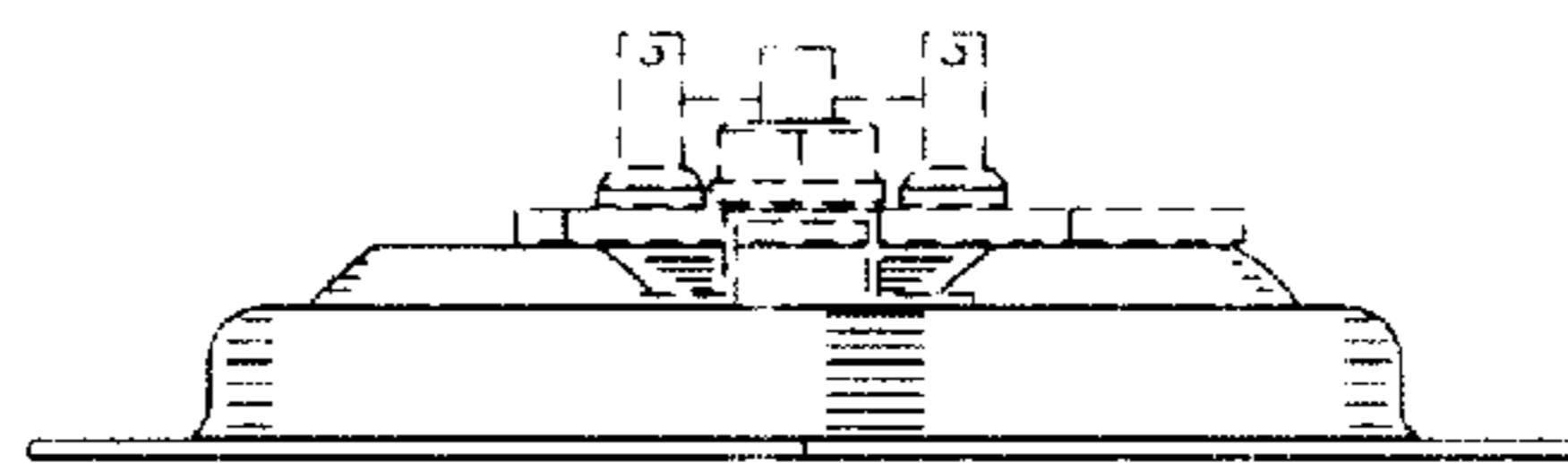


FIG. 16

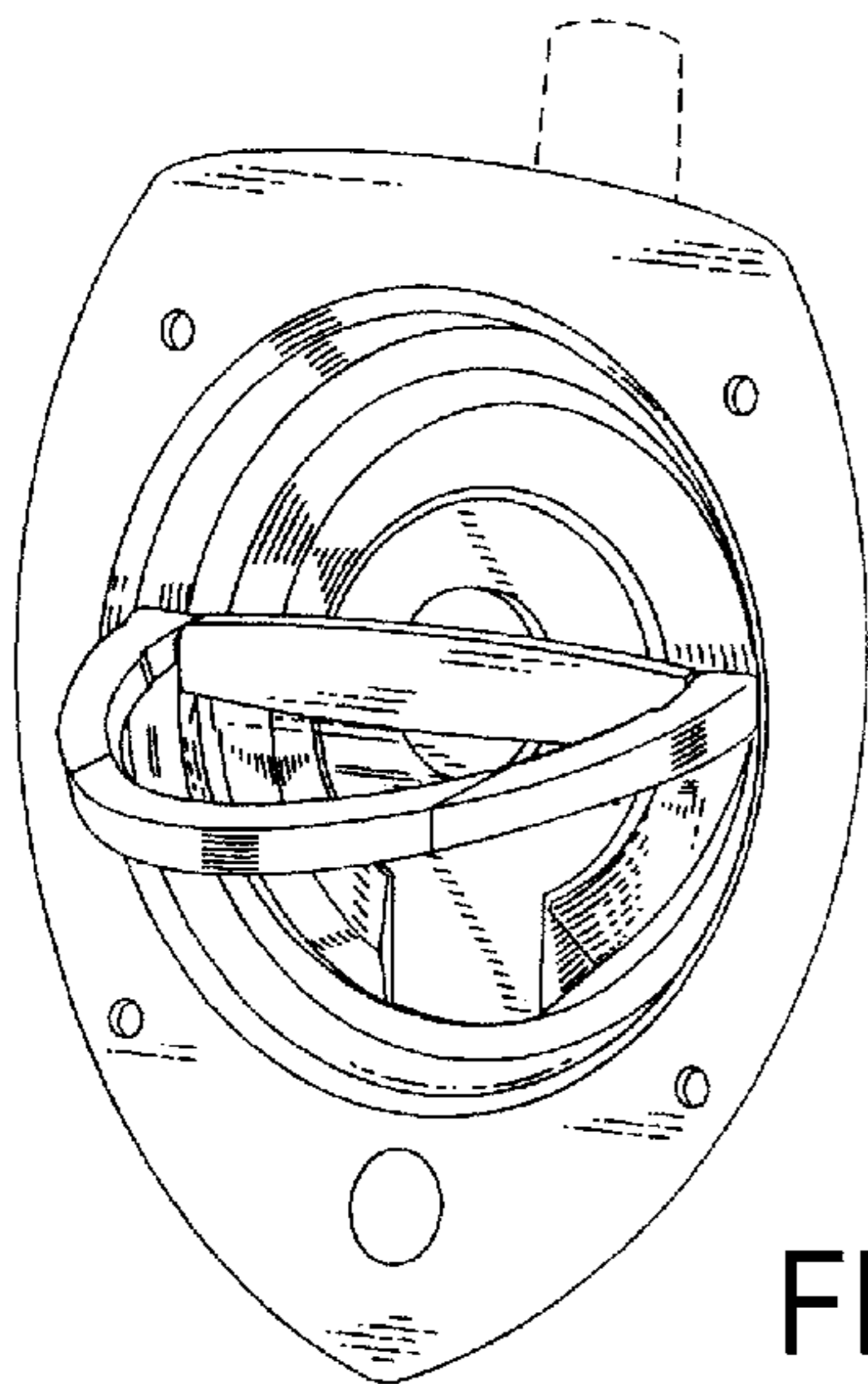


FIG. 17

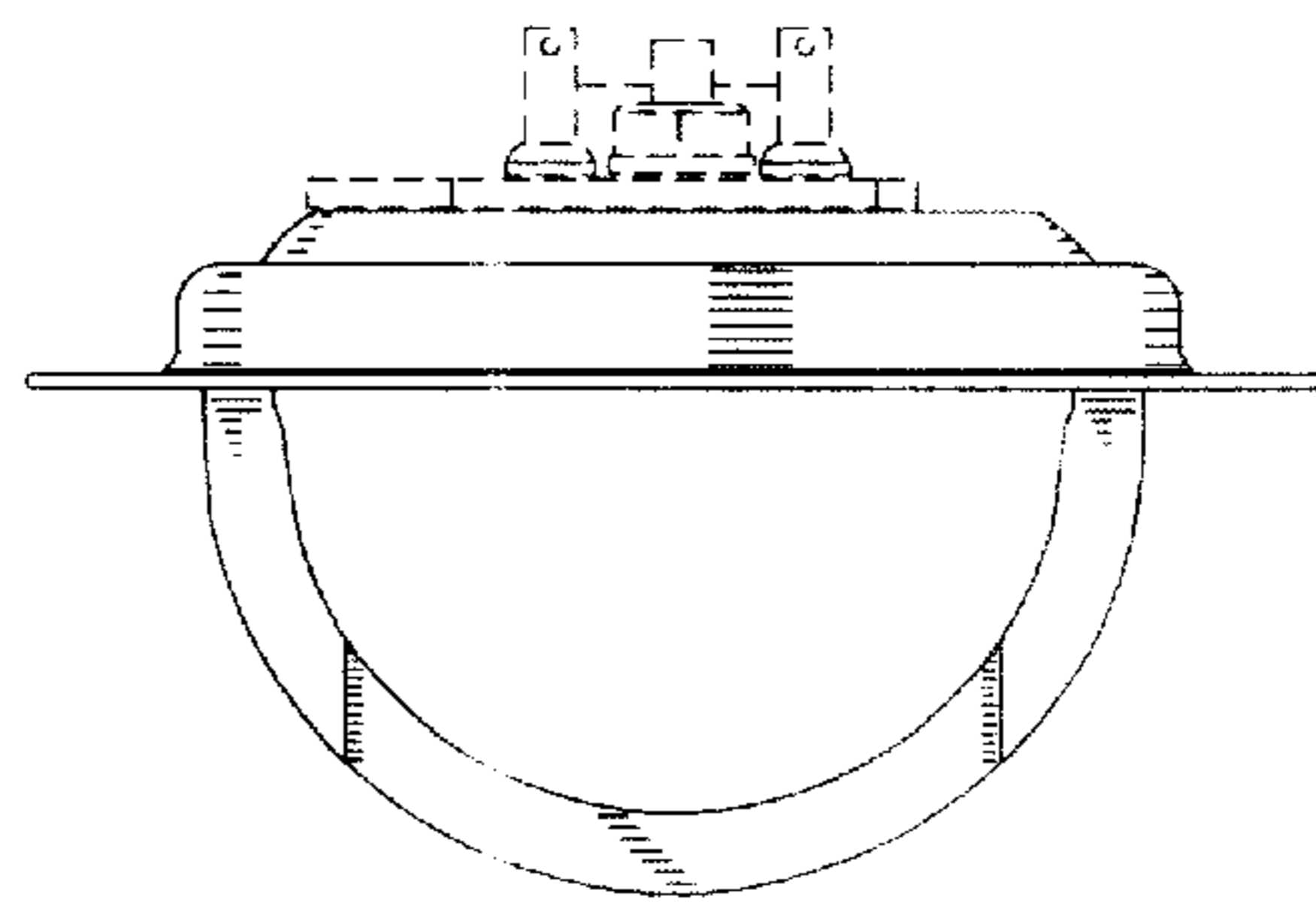


FIG. 18