



US00D469673S

(12) **United States Design Patent** (10) **Patent No.:** **US D469,673 S**
Sliker et al. (45) **Date of Patent:** **** Feb. 4, 2003**

(54) **IMPACT WRENCH**
 (75) Inventors: **Larry A. Sliker**, Hewitt, NJ (US);
Scott D. Price, Lebanon, NJ (US);
Edward C. Eardley, Easton, PA (US)

6,158,459 A * 12/2000 Chang 81/489
 D441,628 S * 5/2001 Bass et al. D8/68
 6,338,389 B1 * 1/2002 Chang 173/169
 D454,475 S * 3/2002 Taga D8/68
 D458,824 S * 6/2002 Chen D8/68
 D459,179 S * 6/2002 Morgan D8/68

(73) Assignee: **Ingersoll-Rand Company**, Woodcliff
 Lake, NJ (US)

OTHER PUBLICATIONS

Impact wrench No. 824, Black & Decker catalogue, p. 60,
 received Sep. 29, 1969.*

(**) Term: **14 Years**

* cited by examiner

(21) Appl. No.: **29/150,871**

Primary Examiner—Doris V. Coles

(22) Filed: **Nov. 30, 2001**

Assistant Examiner—T. Chase Nelson

(51) **LOC (7) Cl.** **08-05**

(74) *Attorney, Agent, or Firm*—Michael Best & Friedrich
 LLP

(52) **U.S. Cl.** **D8/68**

(58) **Field of Search** D8/61, 62, 63,
 D8/64, 65, 66, 67, 68, 69, 70; 81/57.11,
 429, 464, 465, 466, 469, 489; 173/13, 169,
 178, 213, 217; 227/8, 114, 120, 130, 136,
 142; 310/50; 408/20, 124, 125, 234, 241 R;
 451/358

(57) **CLAIM**

The ornamental design for an impact wrench, as shown and
 described.

(56) **References Cited**

DESCRIPTION

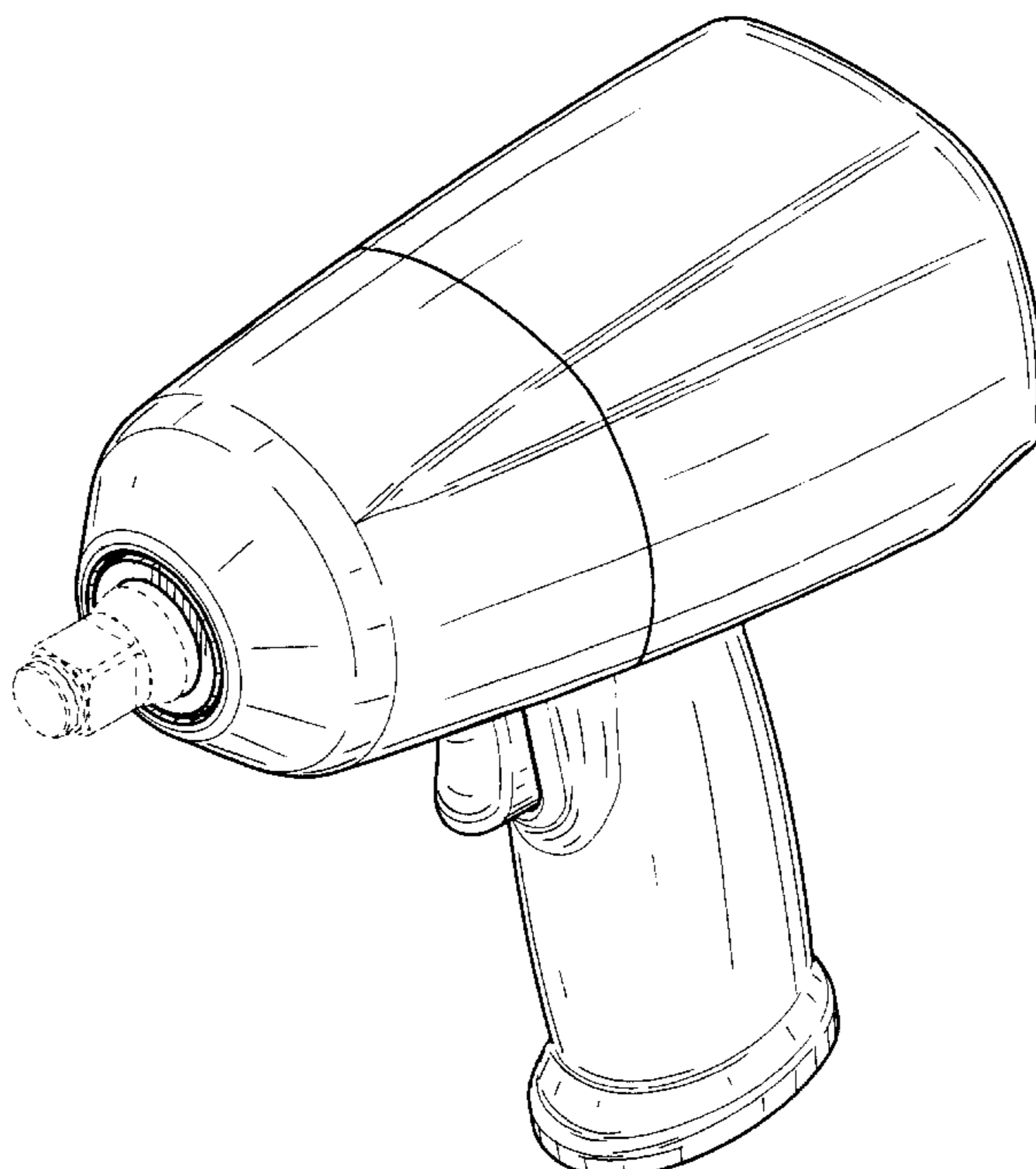
U.S. PATENT DOCUMENTS

D205,091 S * 6/1966 Averitt D8/68
 D223,134 S * 3/1972 Bunyea D8/68
 3,924,961 A * 12/1975 Hess et al. 173/169
 5,199,460 A 4/1993 Geiger 137/625.43
 D339,726 S 9/1993 Bruno et al. D8/68
 D388,678 S 1/1998 Bantly et al. D8/68
 D393,580 S 4/1998 Bantly et al. D8/68
 D410,830 S * 6/1999 Pusateri et al. D8/61
 6,062,323 A * 5/2000 Pusateri et al. 173/169
 6,082,468 A * 7/2000 Pusateri et al. 173/169
 D434,297 S 11/2000 Iritani et al. D8/68

FIG. 1 is a front/top/left side perspective view of an impact
 wrench showing our design;
 FIG. 2 is a front view of FIG. 1;
 FIG. 3 is a rear view of FIG. 1;
 FIG. 4 is a left side view of FIG. 1;
 FIG. 5 is a right side view of FIG. 1;
 FIG. 6 is a top view of FIG. 1; and,
 FIG. 7 is a bottom view of FIG. 1.

The structural features depicted by means of broken lines in
 the drawing figures have been shown for illustrative pur-
 poses only and form no part of the claimed design.

1 Claim, 5 Drawing Sheets



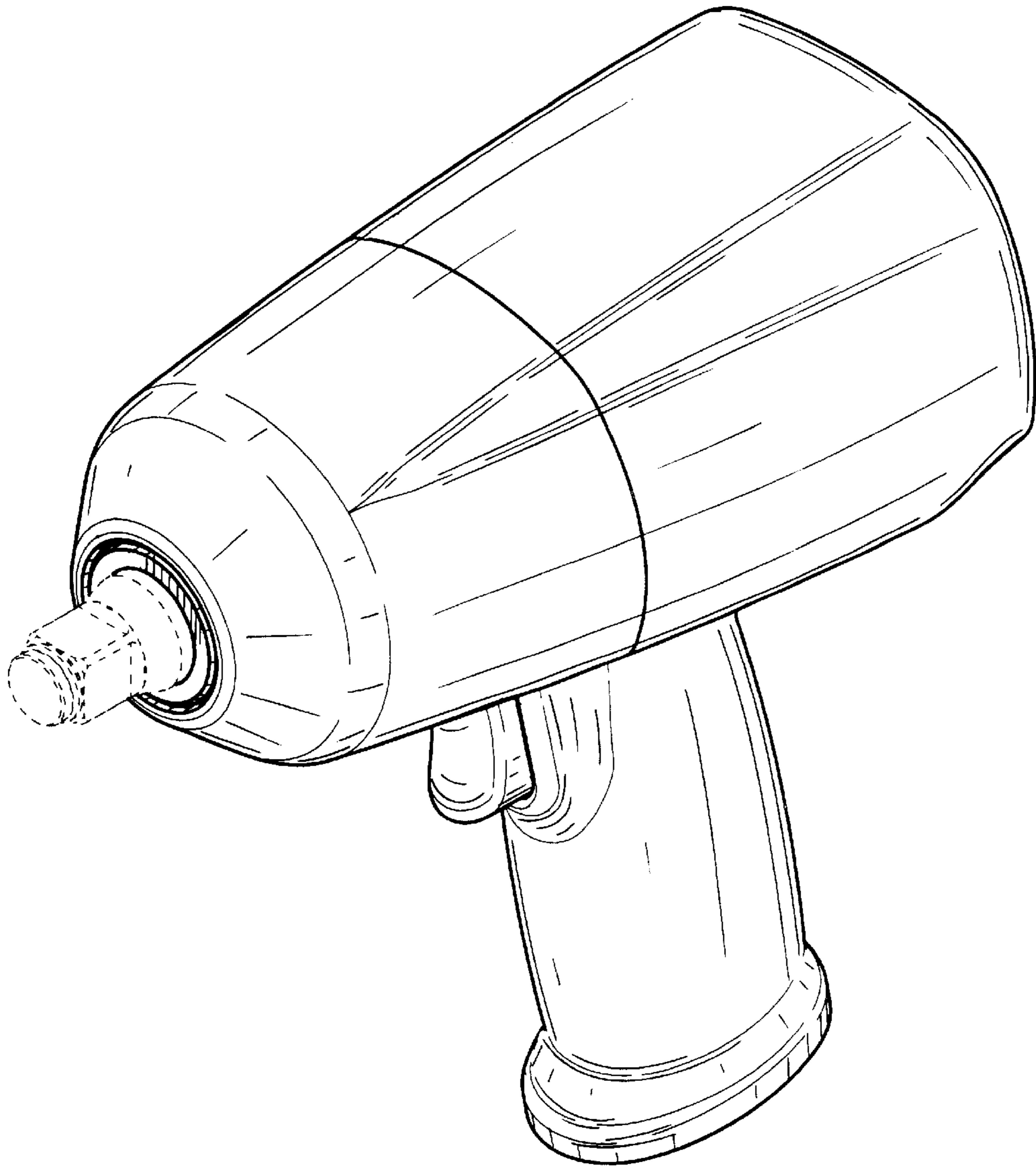


FIG. 1

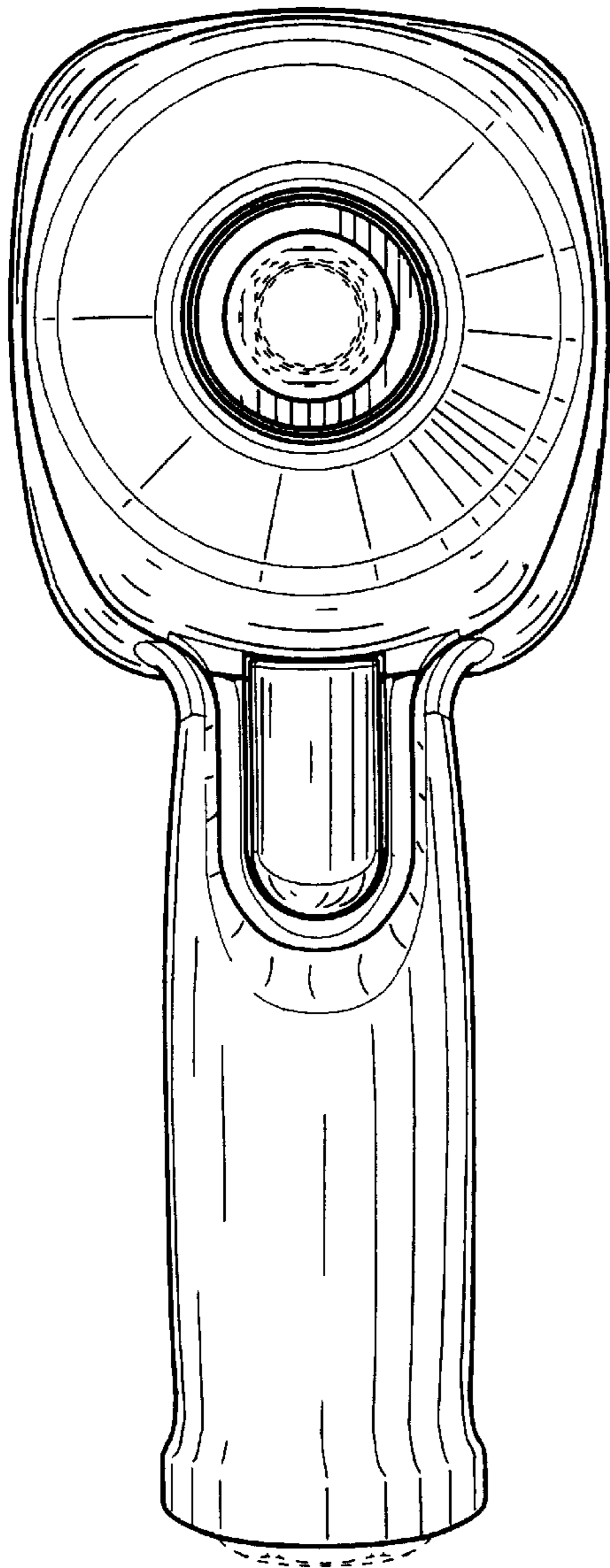


FIG. 2

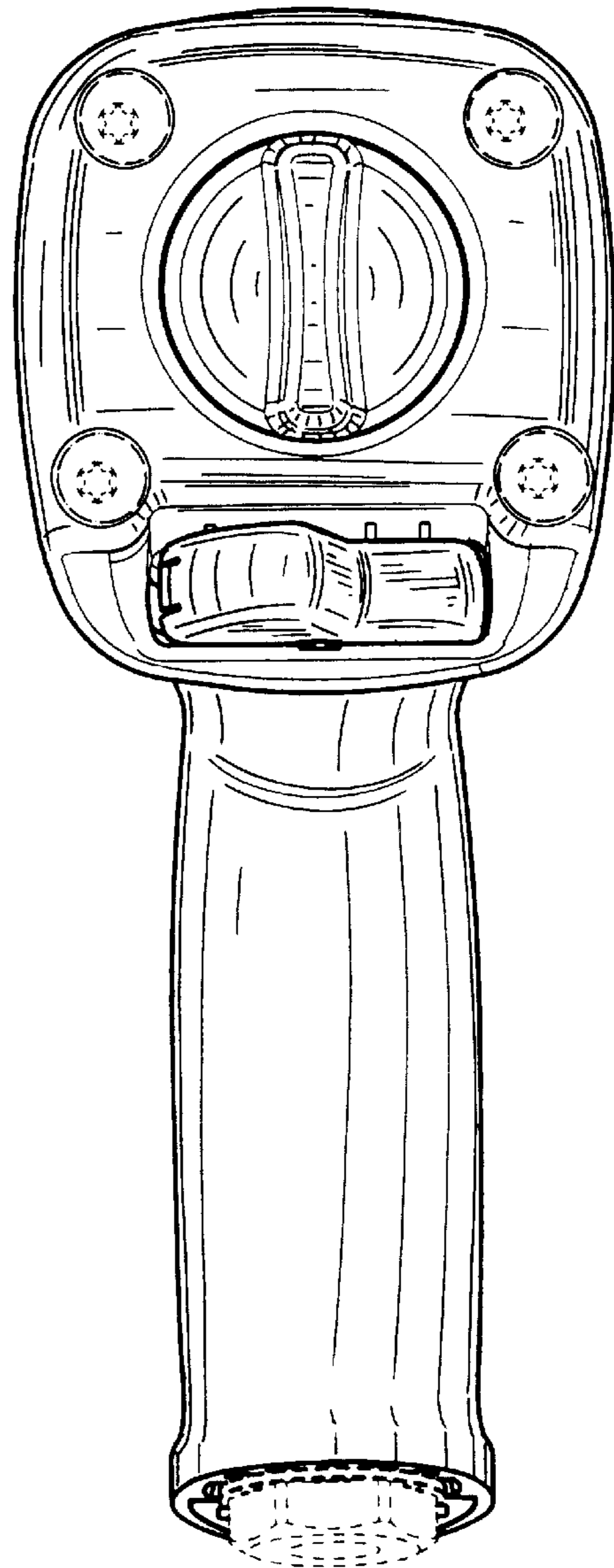


FIG. 3

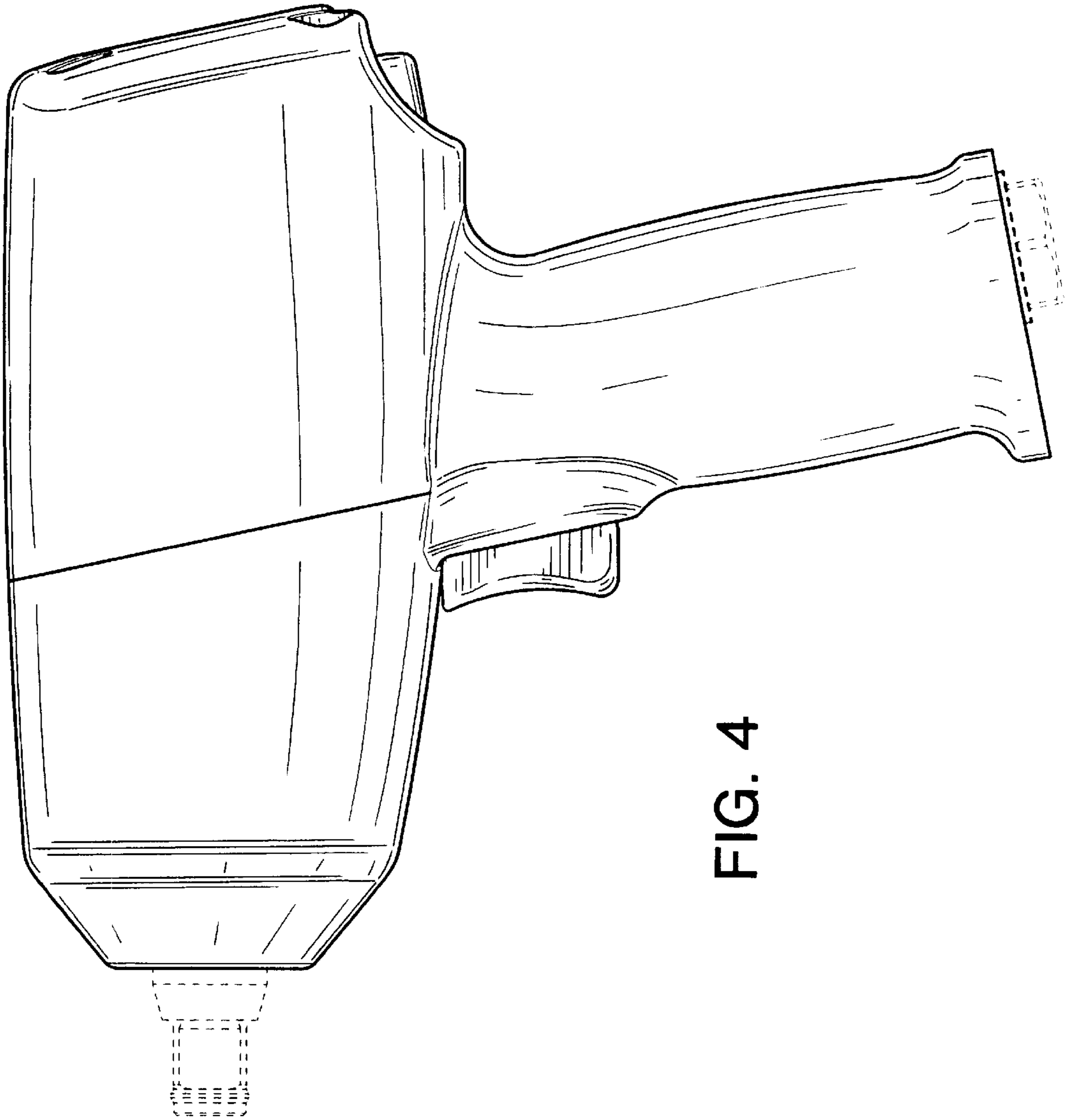


FIG. 4

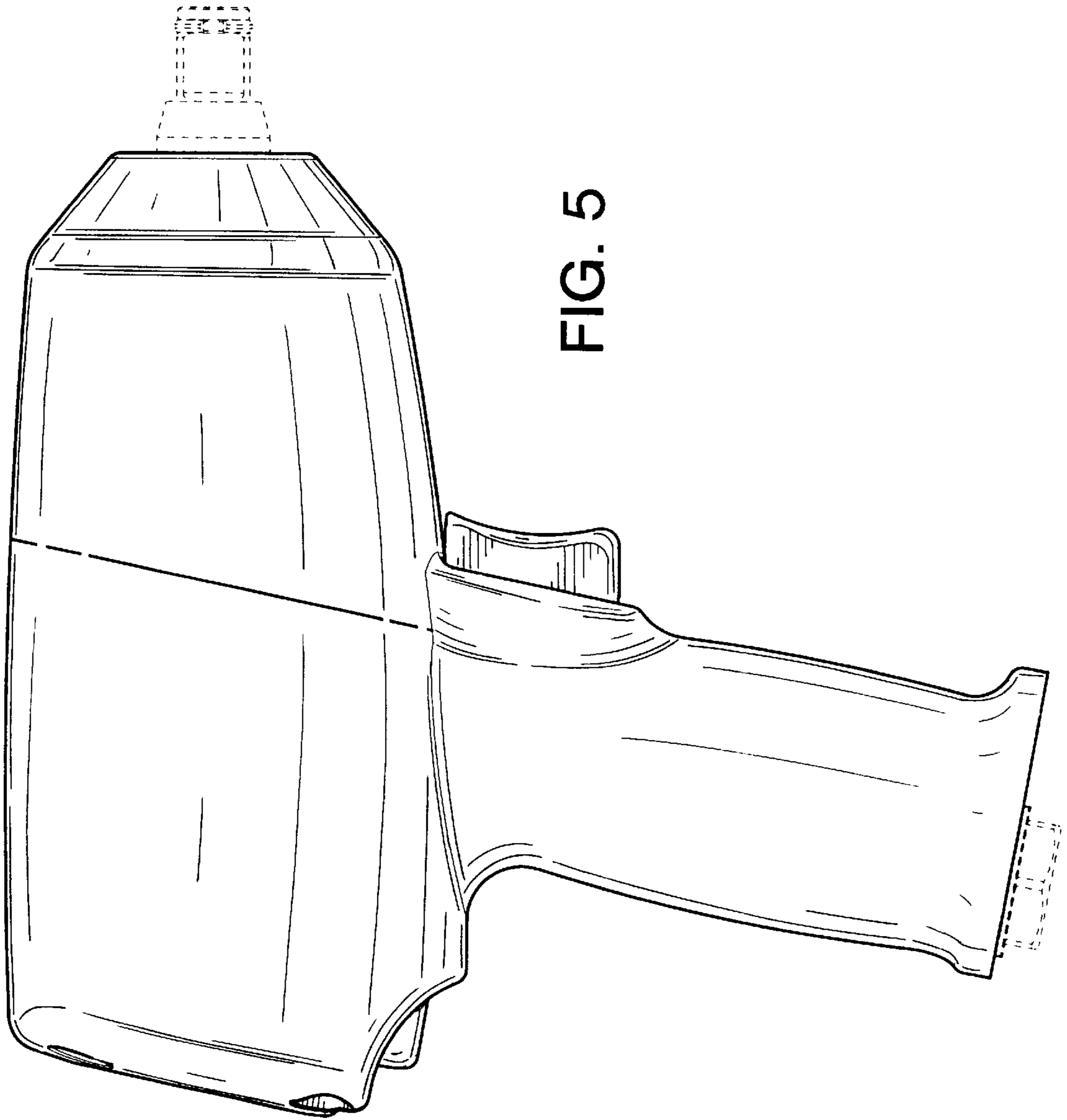


FIG. 5

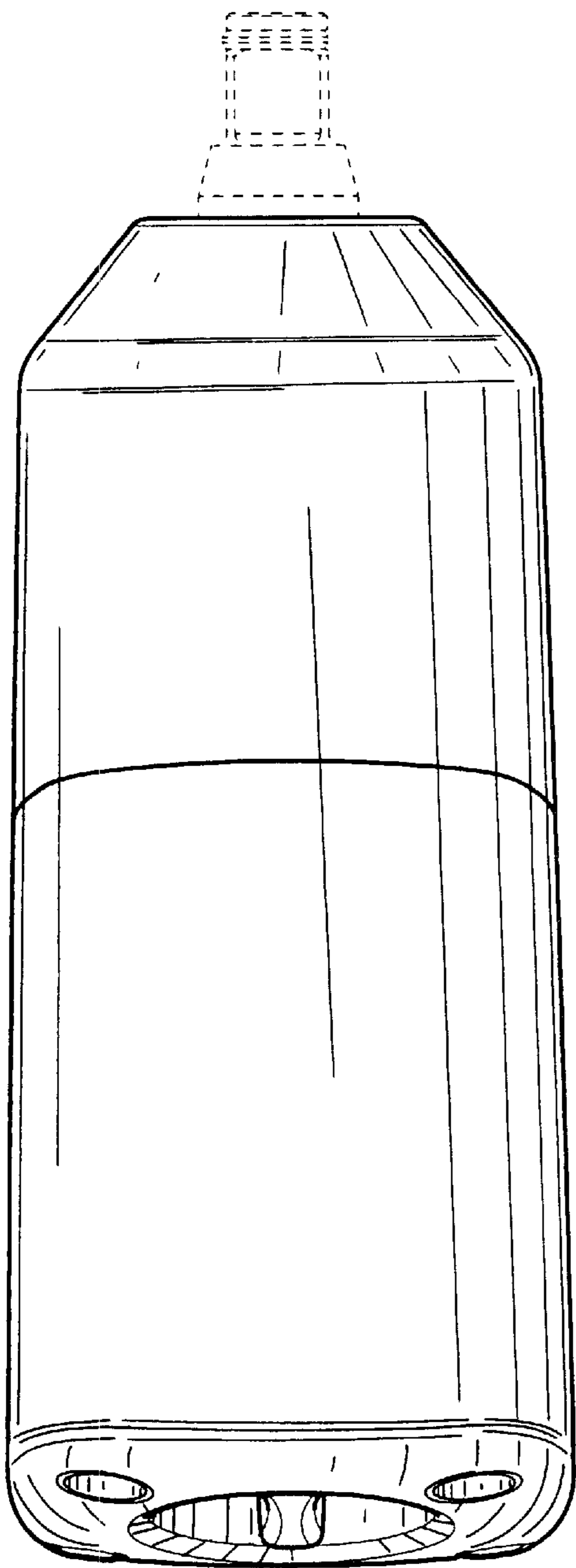


FIG. 6

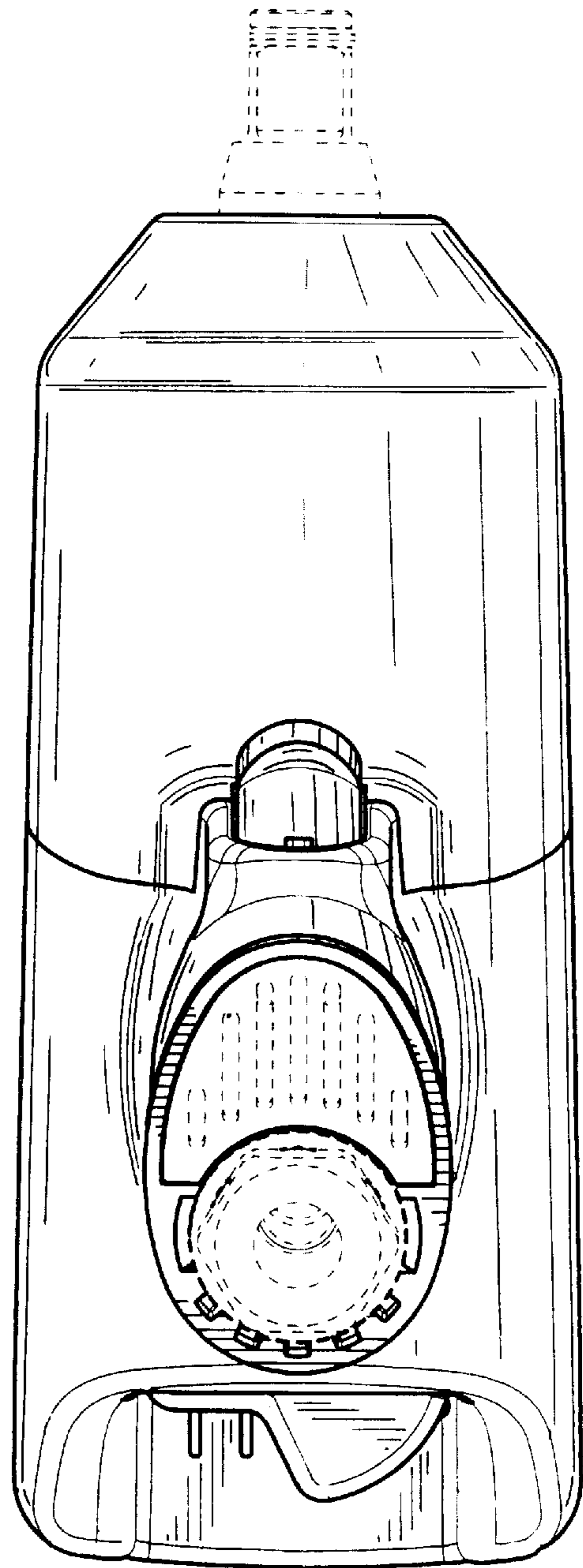


FIG. 7