



US00D469672S

(12) **United States Design Patent** (10) **Patent No.:** **US D469,672 S**
Bass et al. (45) **Date of Patent:** **** Feb. 4, 2003**

(54) **AIR RATCHET**
 (75) Inventors: **Gary S. Bass**, Independence, KY (US);
Christopher E. Martini,
 Lawrenceburg, IN (US)

(73) Assignee: **Campbell Hausfeld/Scott Fetzer Company**, Harrison, OH (US)

(**) Term: **14 Years**

(21) Appl. No.: **29/160,843**
 (22) Filed: **May 16, 2002**

(51) **LOC (7) Cl.** **08-04**
 (52) **U.S. Cl.** **D8/61**
 (58) **Field of Search** D8/25, 30, 61,
 D8/62, 82, DIG. 7; 81/54, 57.11, 57.12,
 57.13, 57.14, 57.29, 57.31, 57.39, 57.42,
 63.1, 177.1, 177.4, 429, 469, 474; 173/169,
 170, 182, 216, 217; 310/47, 50; 362/119,
 120

(56) **References Cited**

U.S. PATENT DOCUMENTS

D269,847 S * 7/1983 Izumisawa D8/62
 D269,938 S 8/1983 Izumisawa
 D289,135 S 4/1987 Doman
 4,791,836 A * 12/1988 D'Haem et al. 81/57.13

D338,144 S * 8/1993 Albert et al. D8/61
 5,573,357 A * 11/1996 Mirles 408/123
 D380,131 S * 6/1997 Sung D8/25
 5,982,059 A * 11/1999 Anderson 310/47
 D449,212 S 10/2001 Price et al.

* cited by examiner

Primary Examiner—Doris V. Coles
Assistant Examiner—Elizabeth A. Albert
 (74) *Attorney, Agent, or Firm*—Jones, Day, Reavis & Pogue

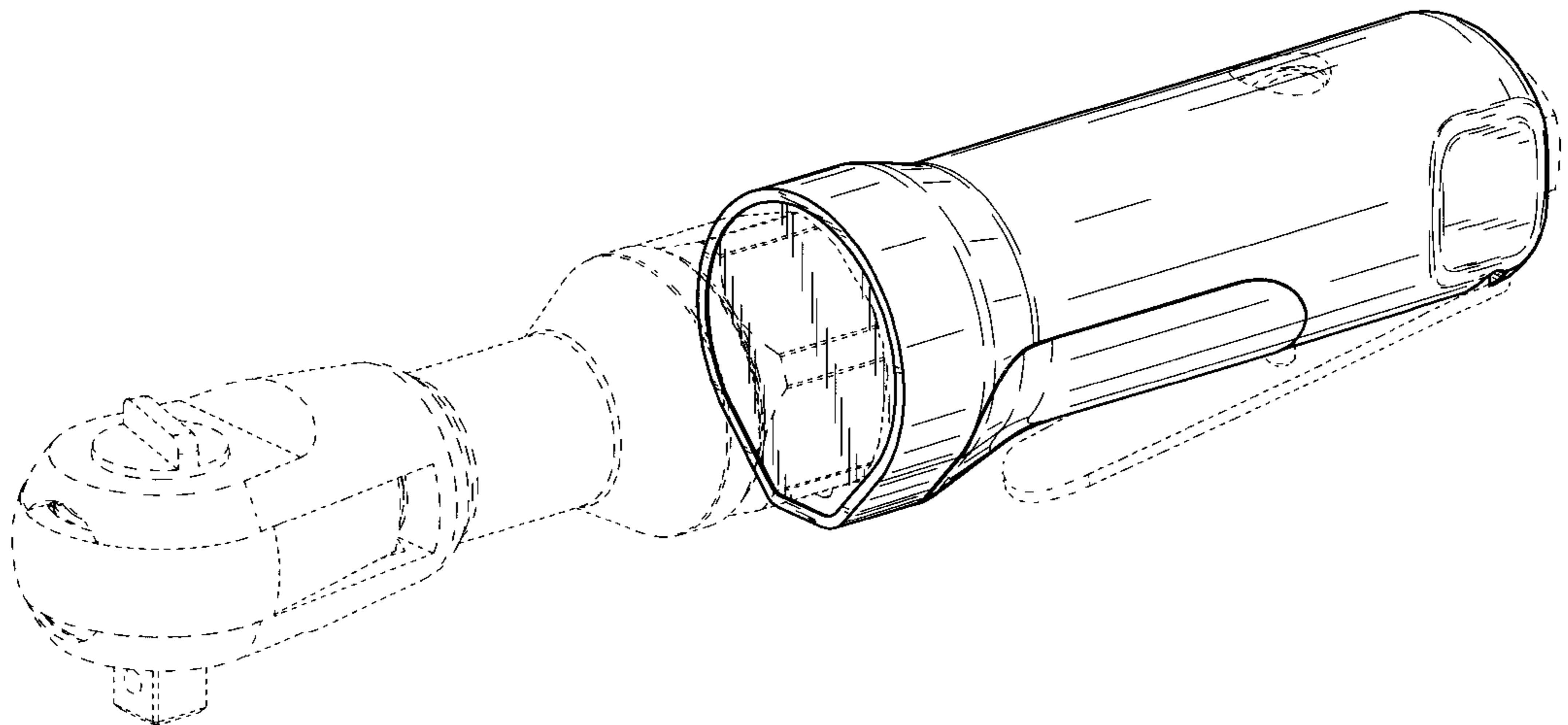
(57) **CLAIM**

We claim the ornamental design for an air ratchet, as shown and described.

DESCRIPTION

FIG. 1 is a perspective view of an air ratchet embodying the ornamental design of the present invention;
 FIG. 2 is a side view of the air ratchet of FIG. 1, the opposite side view being a mirror image;
 FIG. 3 is a top view of the air ratchet of FIG. 1;
 FIG. 4 is a bottom view of the air ratchet of FIG. 1;
 FIG. 5 is a front view of the air ratchet of FIG. 1; and,
 FIG. 6 is a rear view of the air ratchet of FIG. 1.
 The broken line showings of FIGS. 1–6 are for illustrative purposes only and form no part of the claimed design.

1 Claim, 3 Drawing Sheets



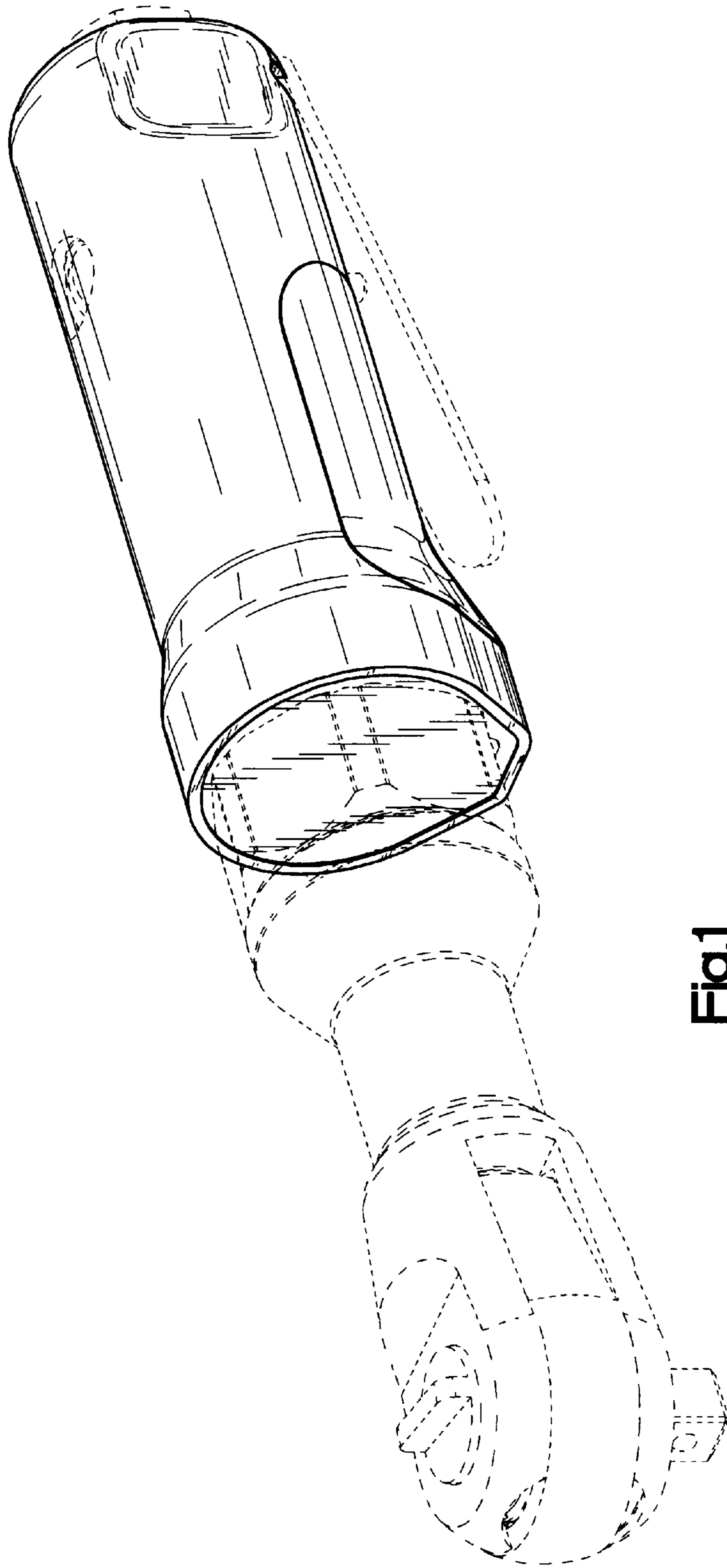


Fig.1

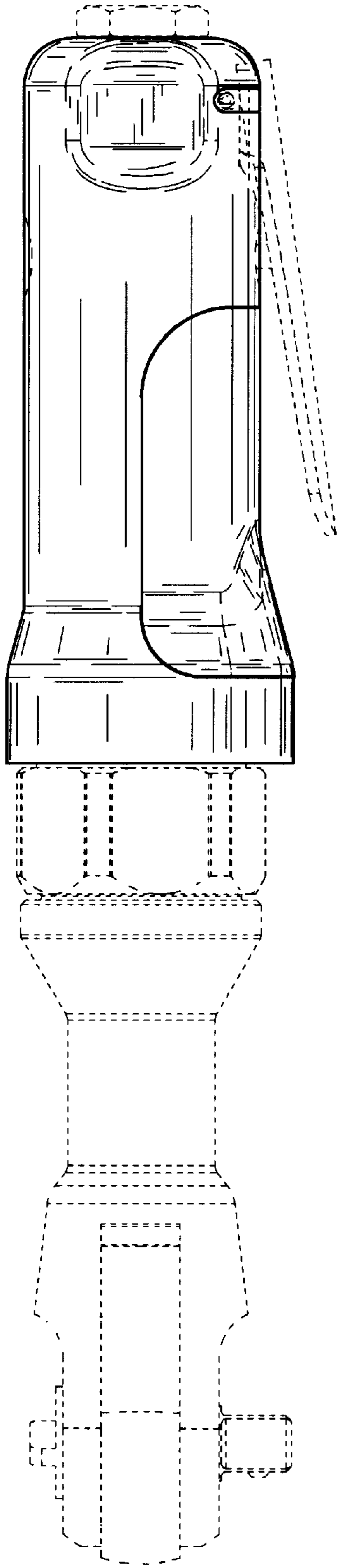


Fig.2

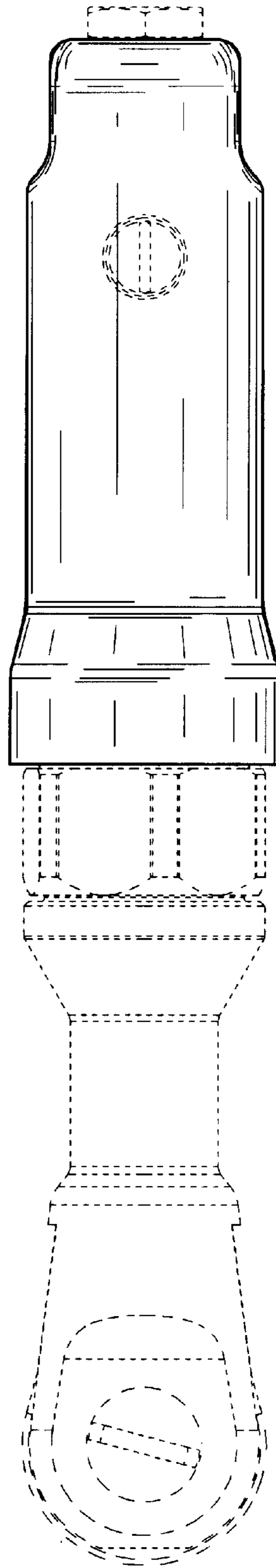


Fig.3

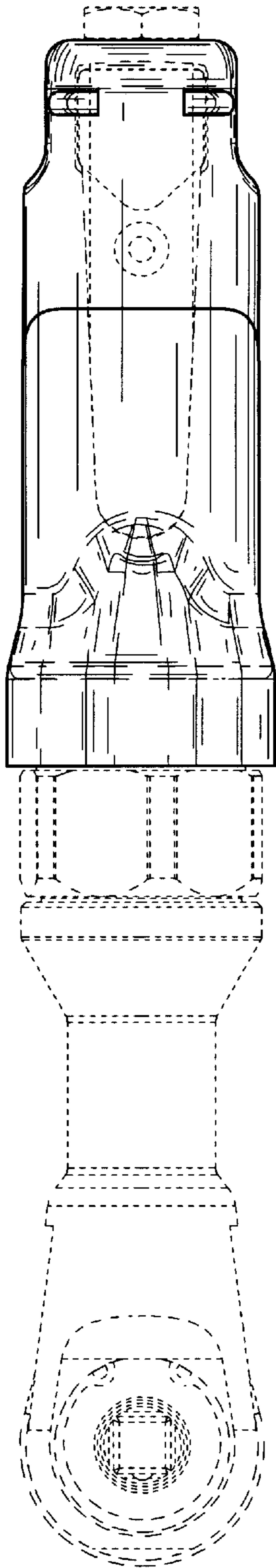


Fig.4

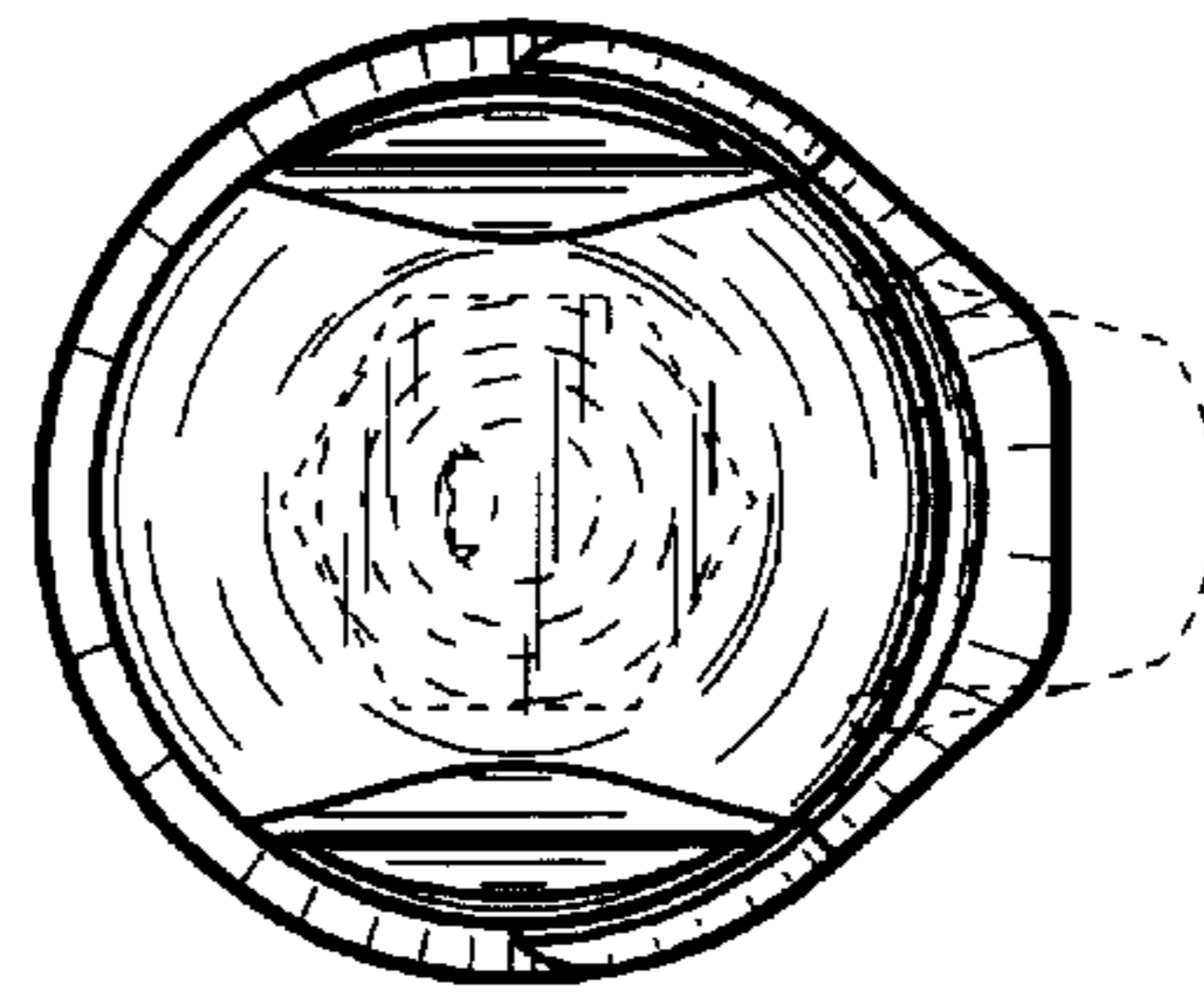


Fig.6

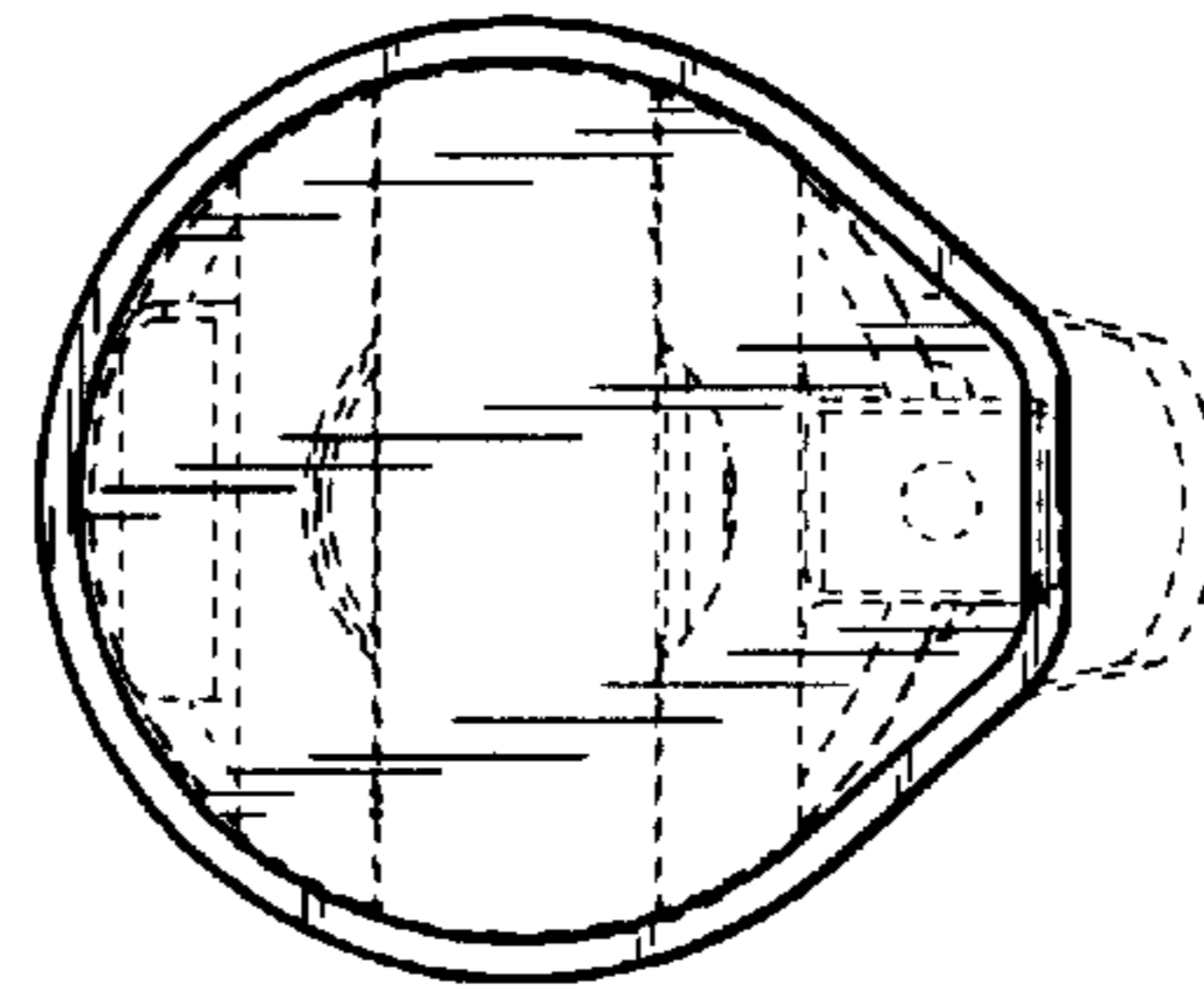


Fig.5