



US00D469670S

(12) **United States Design Patent**
Belanger

(10) **Patent No.:** **US D469,670 S**

(45) **Date of Patent:** **** Feb. 4, 2003**

(54) **HAND HELD GLUE GUN**

(75) Inventor: **Richard A. Belanger**, Kensington, NH
(US)

(73) Assignee: **Adhesive Technologies, Inc.**, Hampton,
NH (US)

(**) Term: **14 Years**

(21) Appl. No.: **29/154,441**

(22) Filed: **Jan. 25, 2002**

(51) **LOC (7) Cl.** **03-01**

(52) **U.S. Cl.** **D8/30**

(58) **Field of Search** D8/14.1, 29.1,
D8/30; 222/146.1, 327, 325, 391; 219/221,
227, 229

(56) **References Cited**

U.S. PATENT DOCUMENTS

- D279,075 S * 6/1985 Nuesse et al. 16/DIG. 12
- D280,378 S * 9/1985 Nuesse et al. D8/30
- D313,736 S * 1/1991 Boliver et al. D8/14.1

- D316,215 S * 4/1991 Belanger D8/30
- D316,506 S * 4/1991 Nusse et al. D8/30
- D325,154 S * 4/1992 King et al. D8/30
- D398,204 S * 9/1998 Lee D8/14.1

* cited by examiner

Primary Examiner—Philip S. Hyder

(74) *Attorney, Agent, or Firm*—Clark & Brody

(57) **CLAIM**

The ornamental design for a hand held glue gun, as shown and described.

DESCRIPTION

FIG. 1 is a left side elevation view of a hand held glue gun showing my new design. The right side elevation view is a mirror image of FIG. 1.

FIG. 2 is a top plan view thereof.

FIG. 3 is a front elevation view thereof.

FIG. 4 is a rear elevation view thereof; and,

FIG. 5 is a bottom plan view thereof.

The broken line portions of the drawings are for illustrative purposes only and form no part of the claimed design.

1 Claim, 3 Drawing Sheets

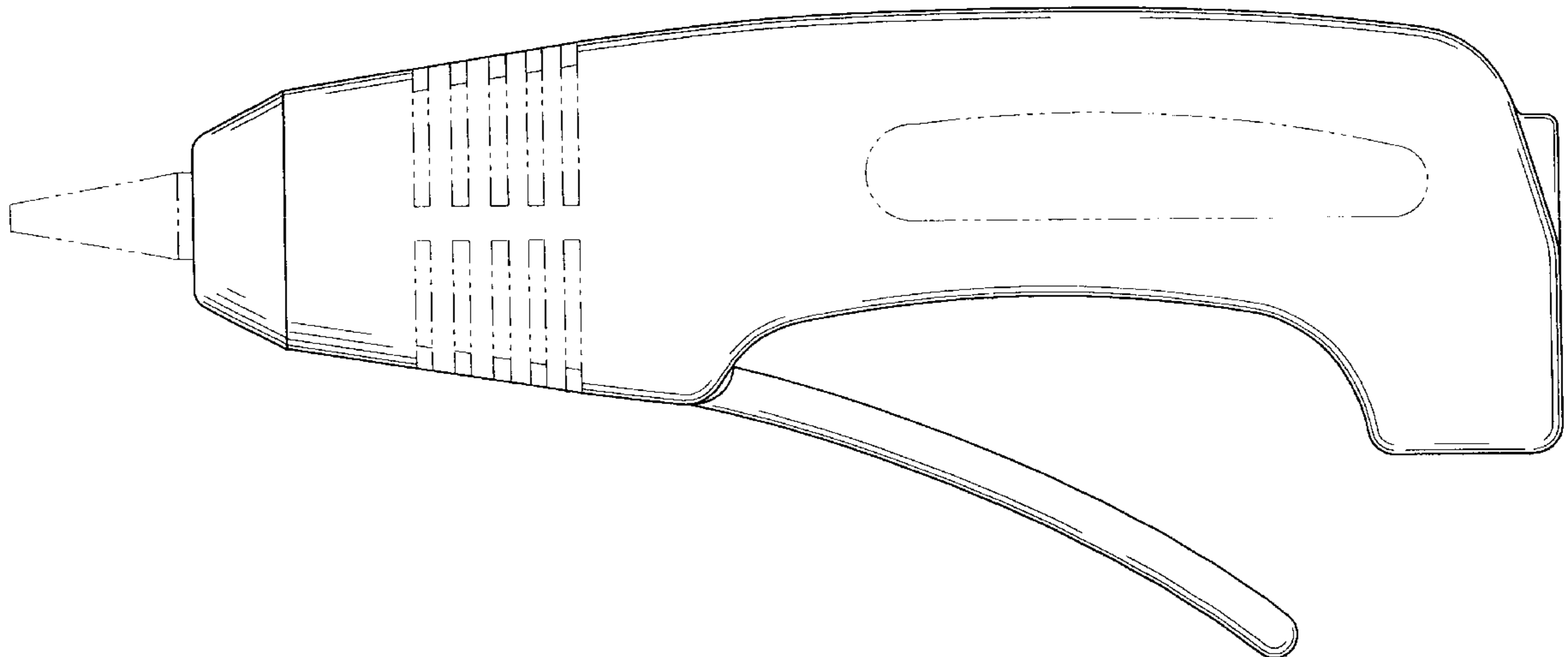


FIG. 1

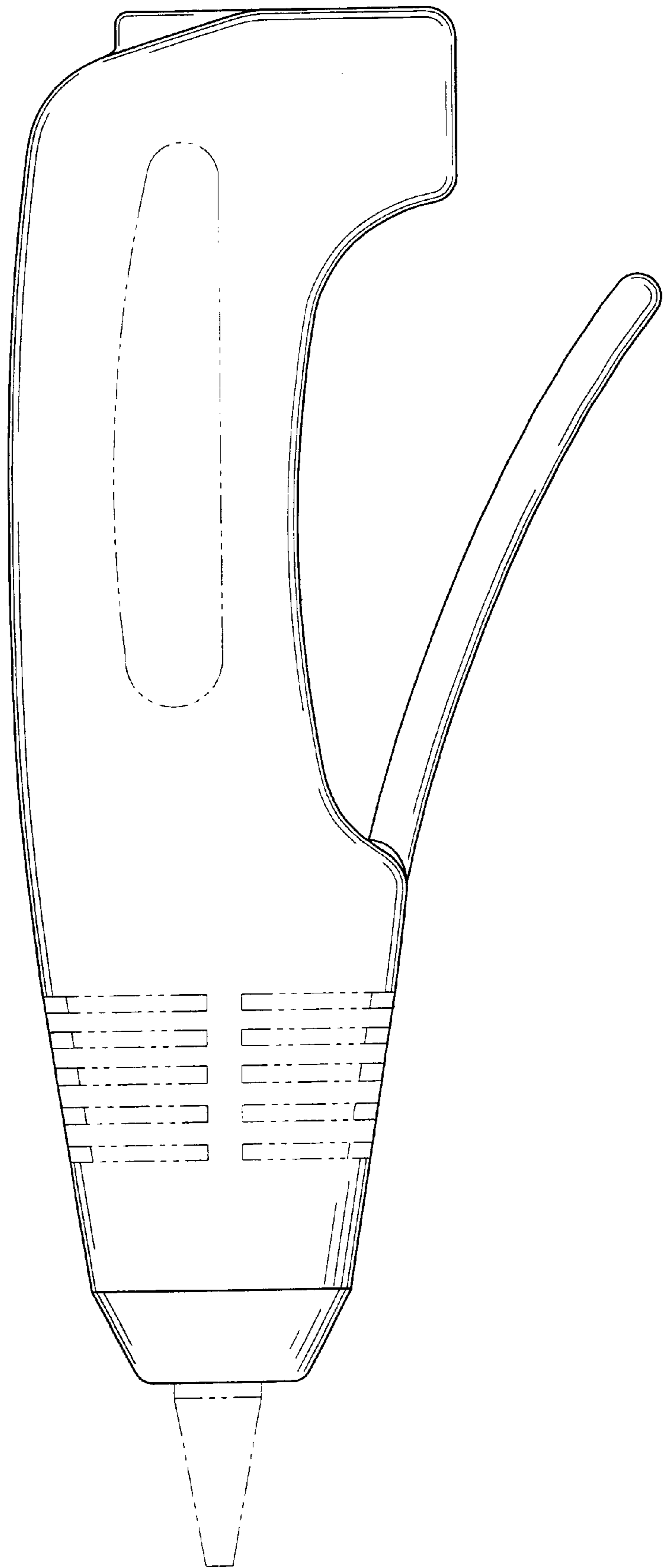


FIG. 2

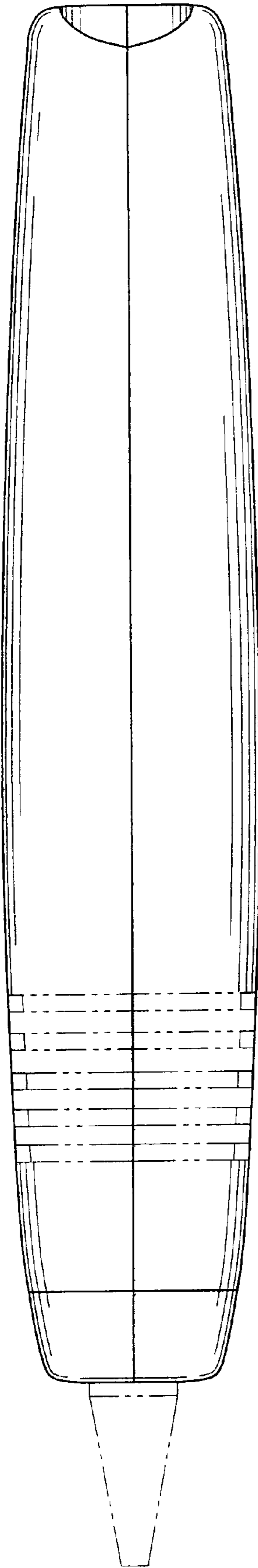


FIG. 5

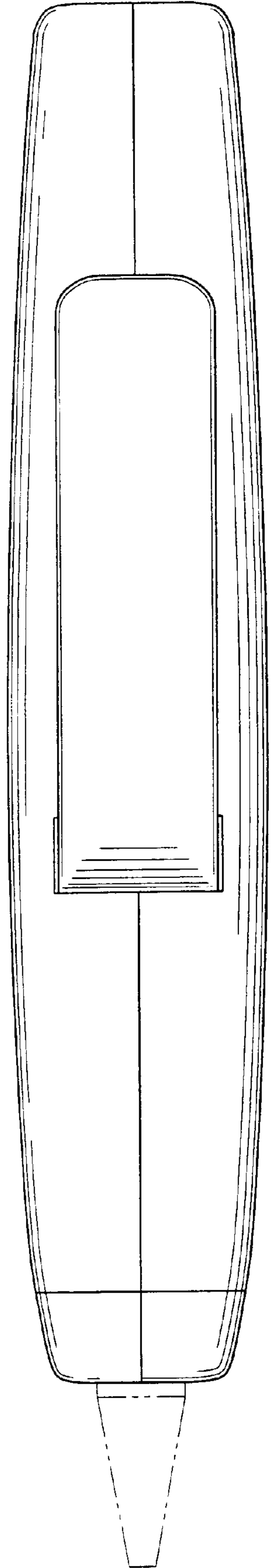


FIG. 3

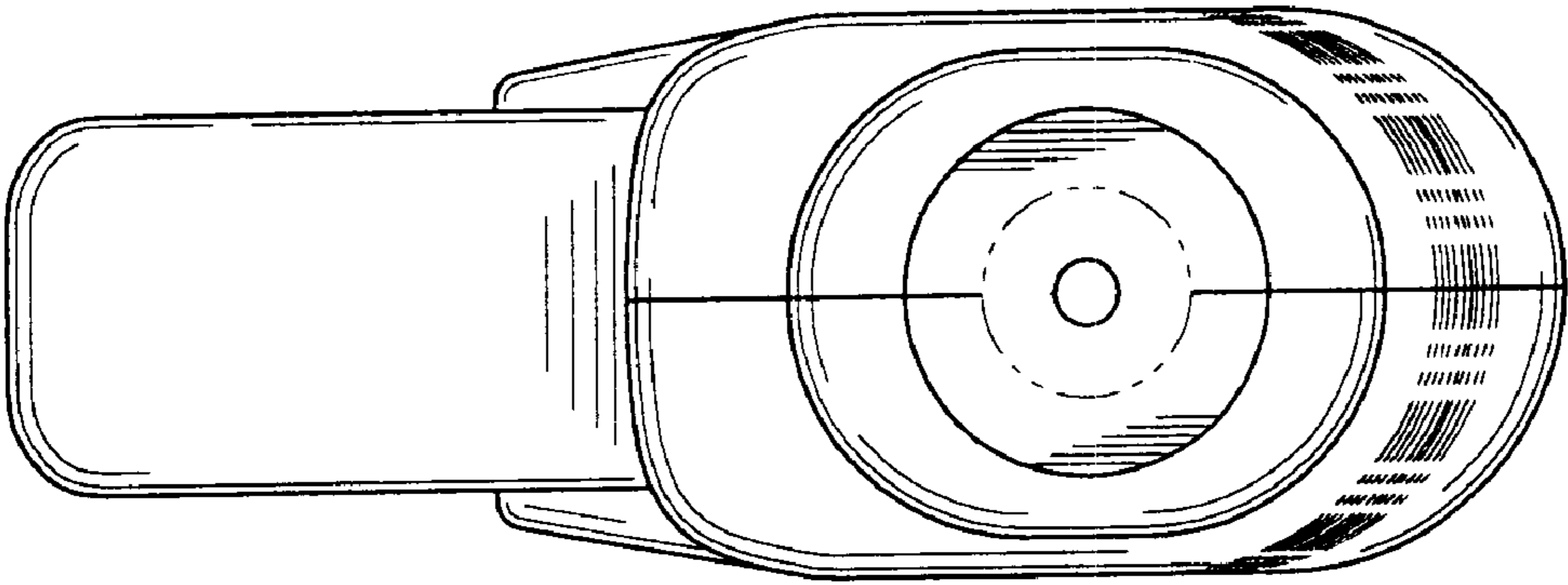


FIG. 4

