



US00D469662S

(12) **United States Design Patent**
Thonis et al.

(10) **Patent No.:** **US D469,662 S**

(45) **Date of Patent:** **** Feb. 4, 2003**

(54) **FLUTED CONTAINER**

D411,075 S 6/1999 Emrich

(75) Inventors: **Paul Thonis**, Corning, NY (US);
Jeffrey B. Kell, Avon, NY (US);
Timothy K. Virkus, Painted Post, NY (US)

(73) Assignee: **World Kitchen, Inc.**, Elmira, NY (US)

(**) Term: **14 Years**

(21) Appl. No.: **29/143,191**

(22) Filed: **Jun. 8, 2001**

(51) **LOC (7) Cl.** **07-01**

(52) **U.S. Cl.** **D7/602**

(58) **Field of Search** D7/601, 602, 629,
D7/538-549, 354, 359; D9/414, 424, 425,
428-432; 220/281, 602, 608, 662, 665,
673, 675, 780-799, 805; 99/DIG. 15; 229/182.1,
186, 406, 902-906

(56) **References Cited**

U.S. PATENT DOCUMENTS

D51,878 S	*	3/1918	Evans	D7/540
D56,336 S	*	10/1920	Beiswanger	D7/542
D291,398 S	*	8/1987	Schmidt	D7/354 X
D344,875 S	*	3/1994	Pomroy et al.	D7/354 X
D376,960 S	*	12/1996	Ferris	D7/629
D395,822 S	*	7/1998	Deal et al.	D9/429
D398,185 S		9/1998	Emrich		

OTHER PUBLICATIONS

Corningware Housewares Catalog, 1978.
Corningware Housewares Catalog, Mar. 1981, pp. 14-15.
Corningware Housewares Catalog, 1981, pp. 4-5, 10-11.
Corningware Housewares Catalog, 1982, pp. 7, 14, 15.
Corningware Housewares Catalog, 1983.
Corningware Housewares Catalog, 1991.
Corningware Housewares Catalog, 1998.
Corningware Housewares Catalog, 1999.

* cited by examiner

Primary Examiner—Terry A. Wallace

(74) *Attorney, Agent, or Firm*—Wolf, Greenfield & Sacks, P.C.

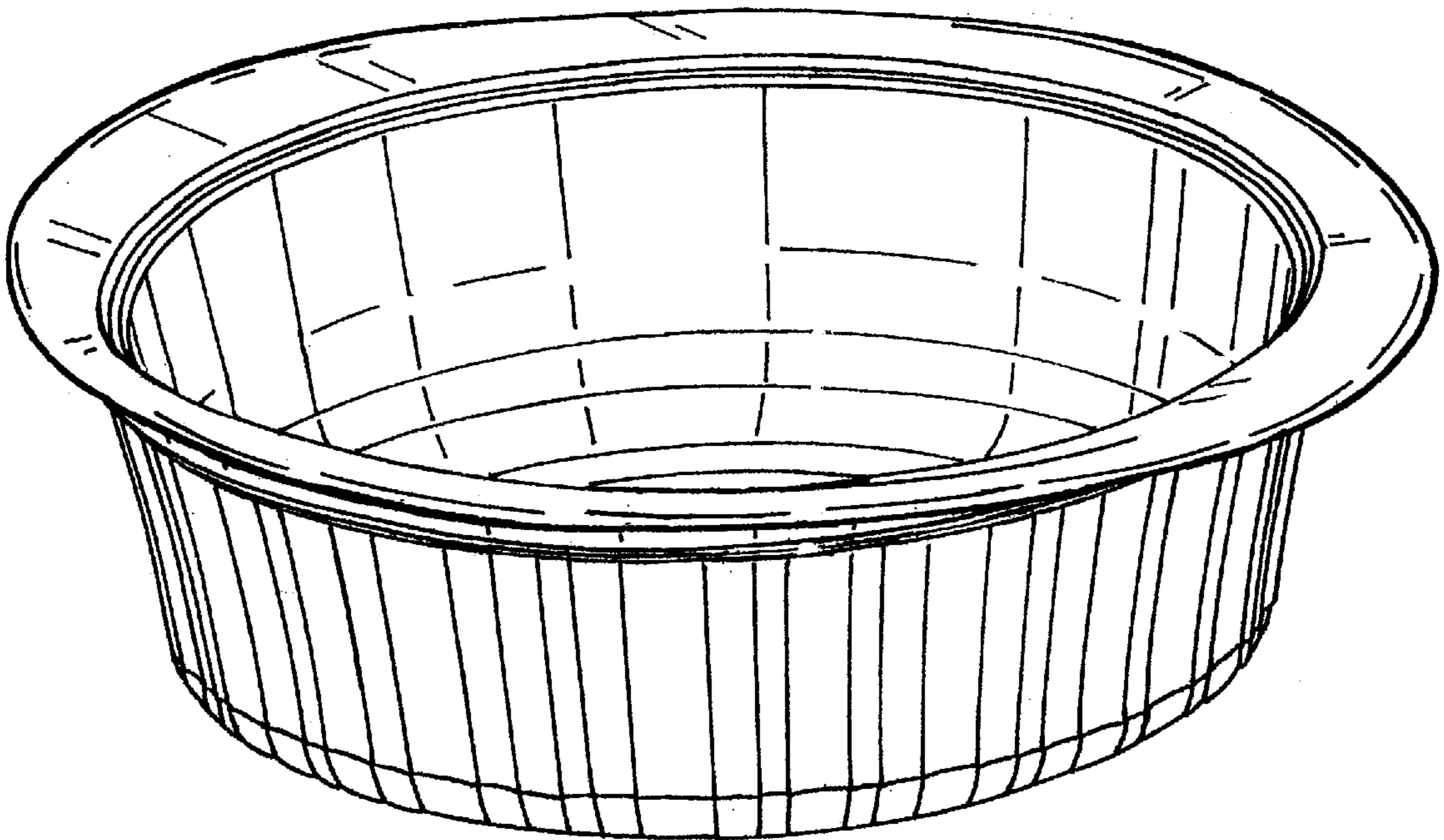
(57) **CLAIM**

The ornamental design for a fluted container, as shown and described.

DESCRIPTION

FIG. 1 is a perspective view of the fluted container;
FIG. 2 is a top view;
FIG. 3 is a bottom view;
FIG. 4 is a front view;
FIG. 5 is a rear view;
FIG. 6 is a left side view; and,
FIG. 7 is a right side view.

1 Claim, 3 Drawing Sheets



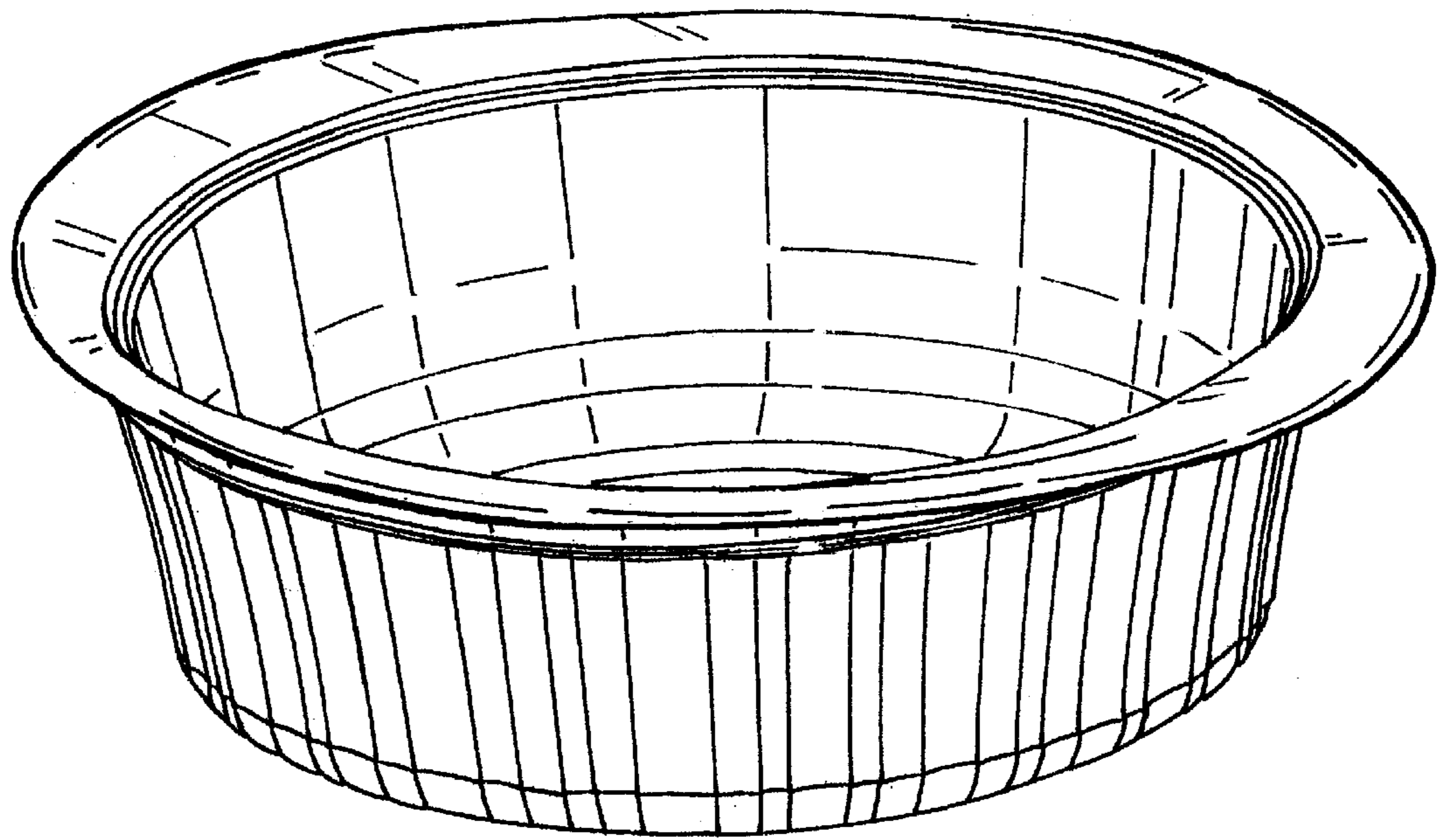


Fig. 1

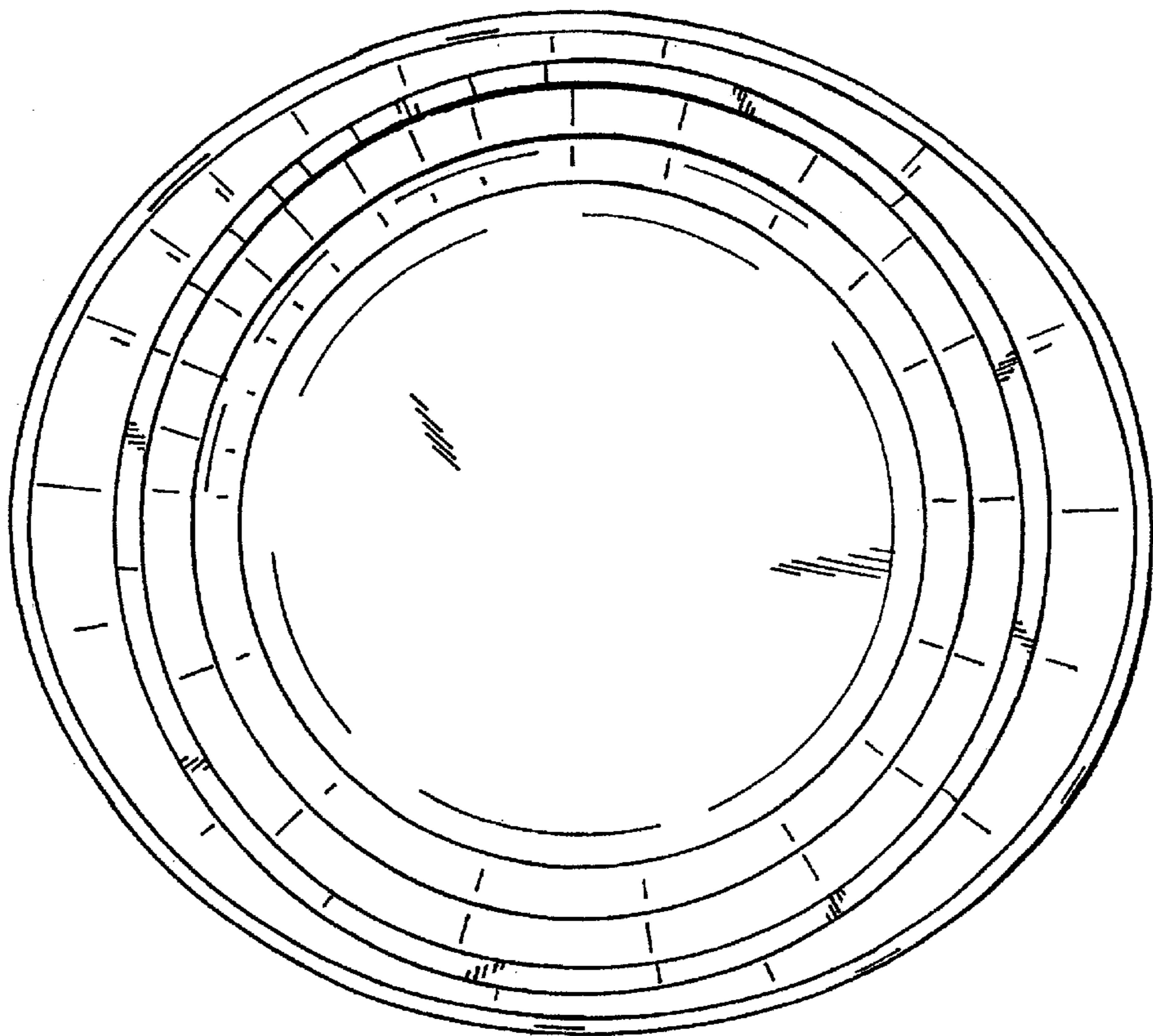


Fig. 2

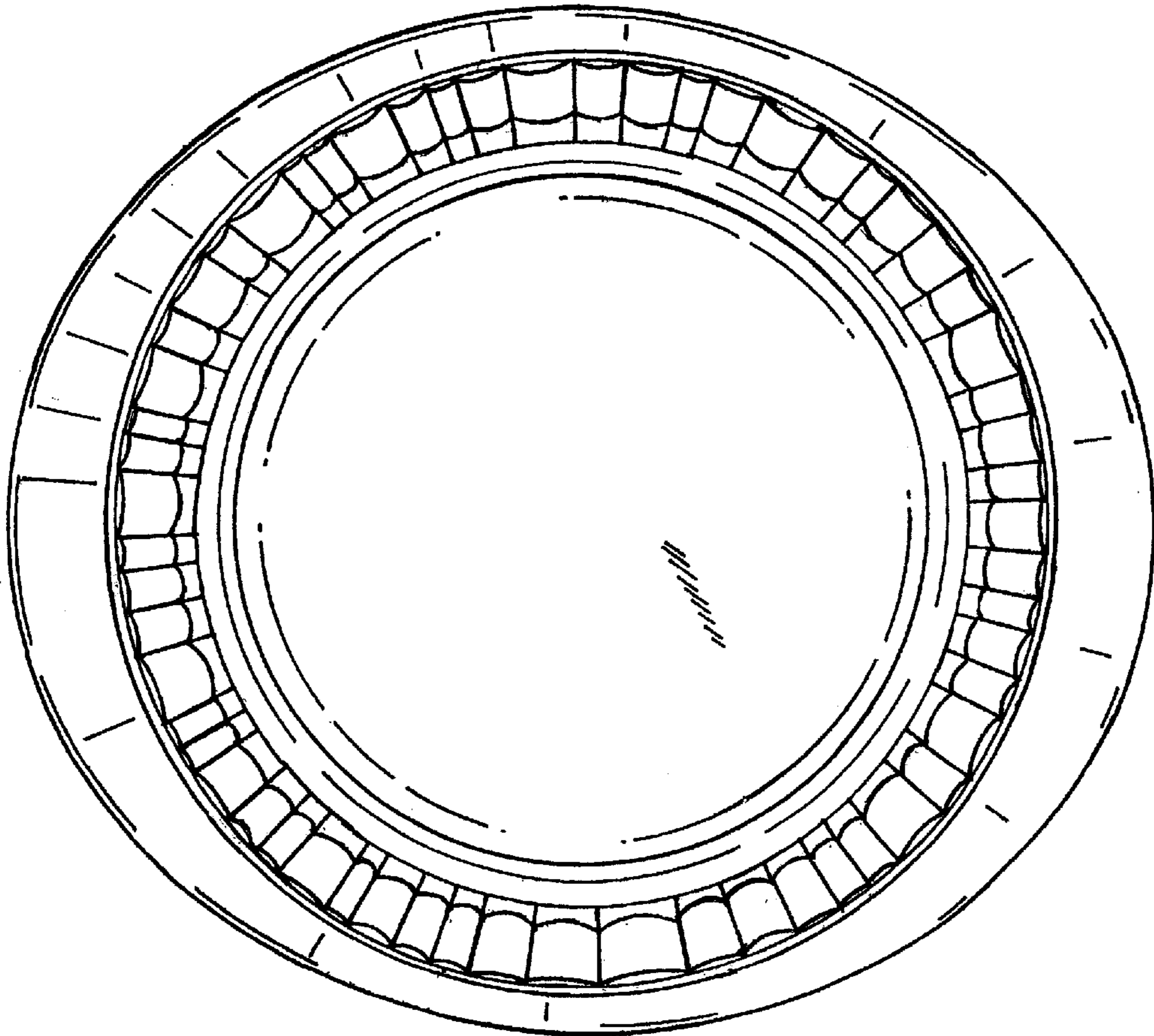


Fig. 3

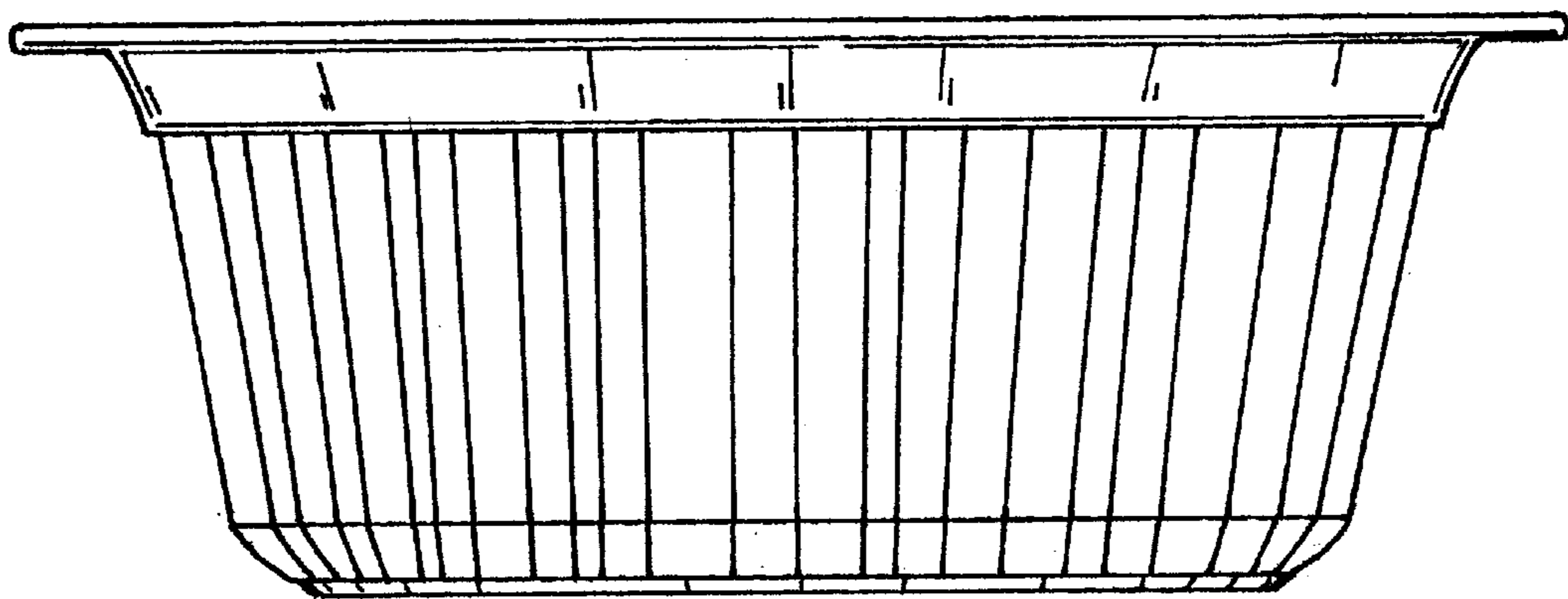


Fig. 4

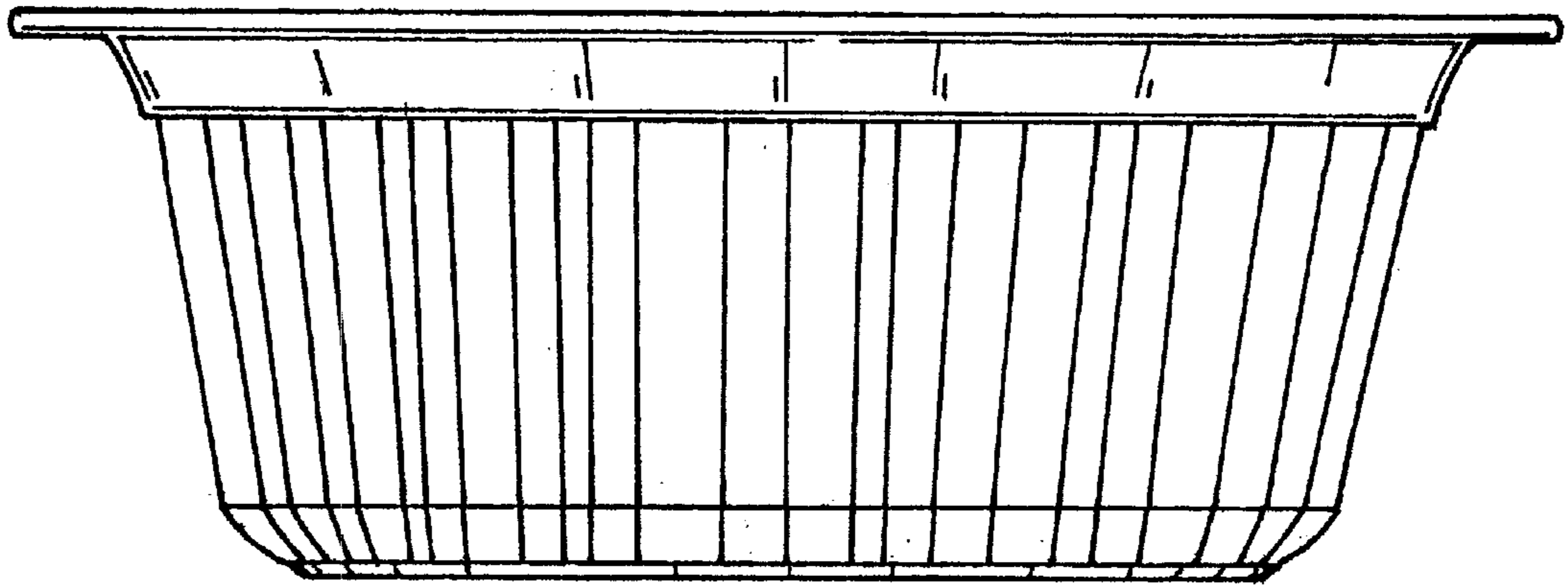


Fig. 5

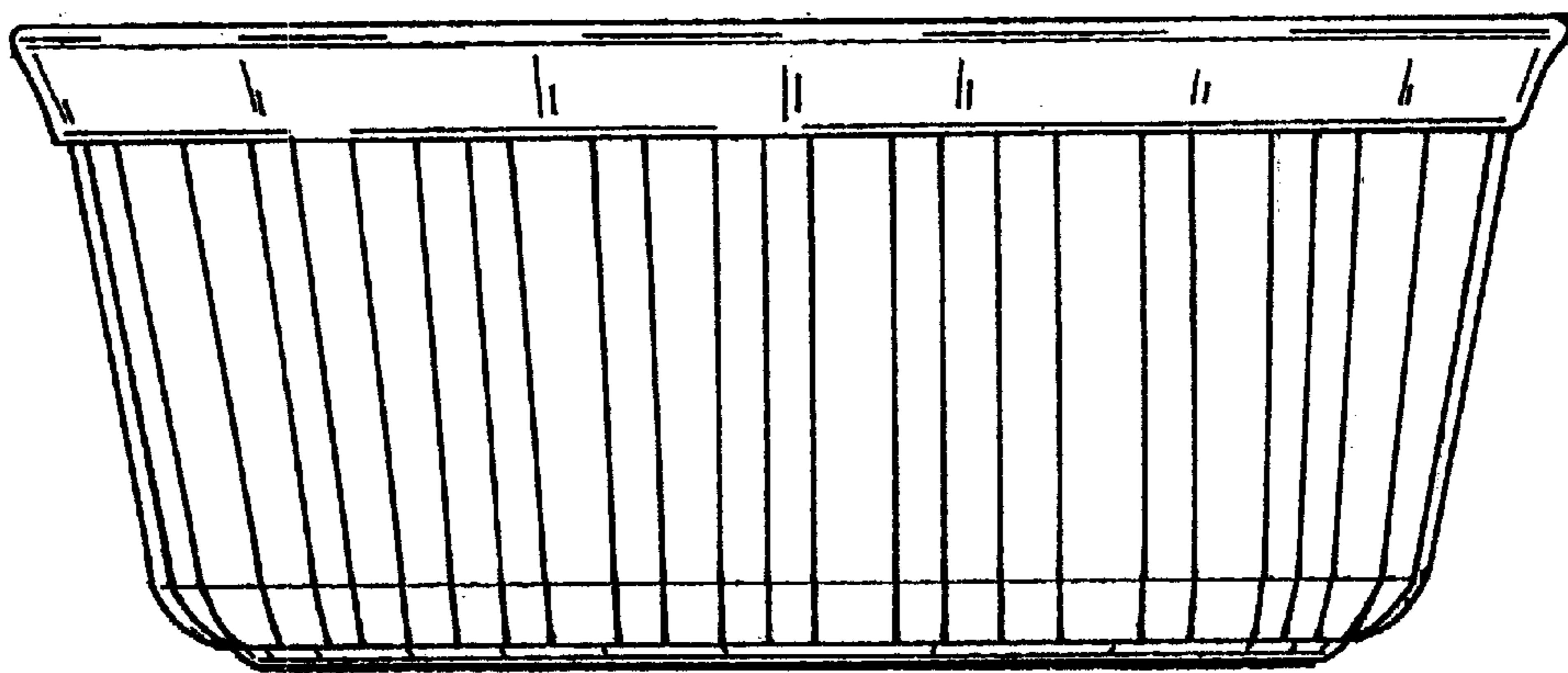


Fig. 6

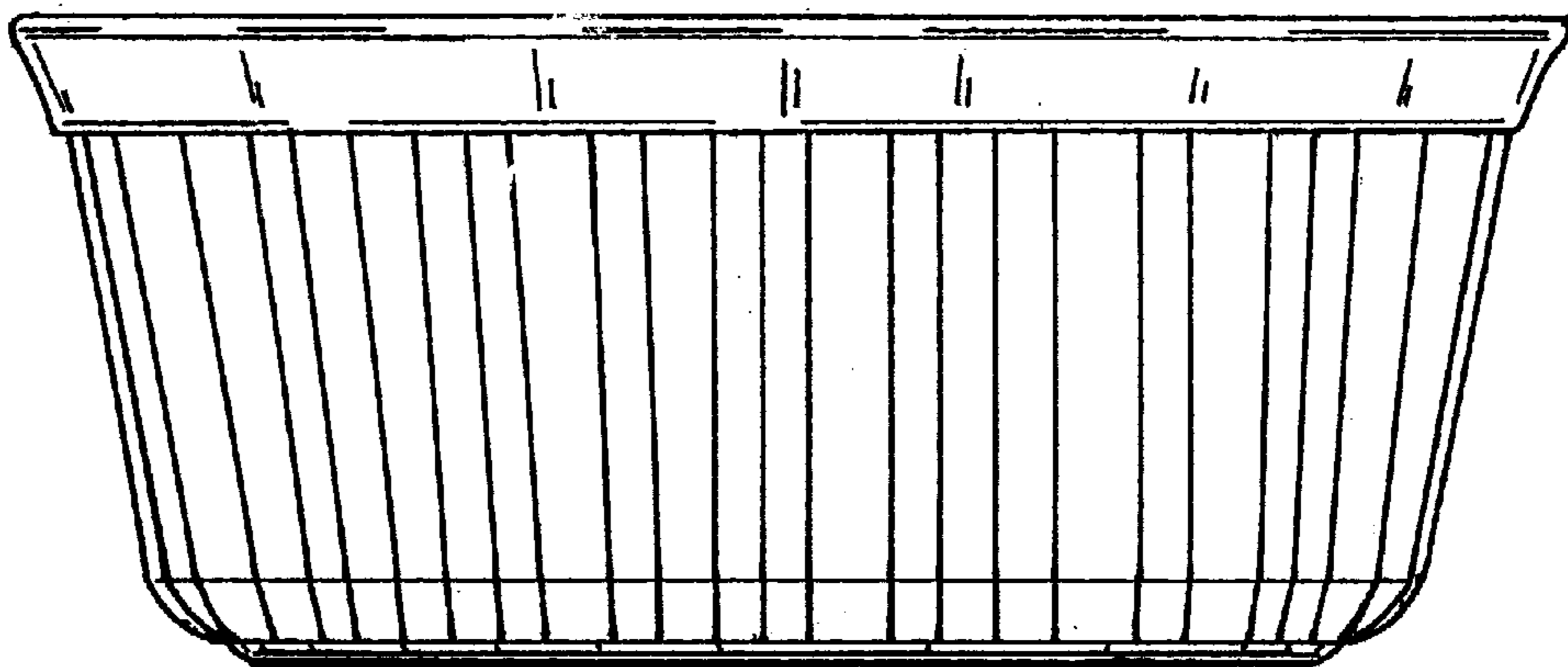


Fig. 7