



US00D469661S

(12) **United States Design Patent**  
**Rivkin**

(10) **Patent No.: US D469,661 S**  
(45) **Date of Patent: \*\* Feb. 4, 2003**

(54) **GRAVITY BIN**

(76) **Inventor: Eric M. Rivkin**, 1695 Steller Ct.,  
Excelsior, MN (US) 55331

(\*\*) **Term: 14 Years**

(21) **Appl. No.: 29/092,531**

(22) **Filed: Aug. 21, 1998**

(51) **LOC (7) Cl. .... 07-01**

(52) **U.S. Cl. .... D7/589**

(58) **Field of Search .... D7/589; D6/512,**  
D6/515, 542, 545; D20/1, 3, 7, 8; 221/195,  
281, 282; 222/173, 181.1, 185.1

(56) **References Cited**

**U.S. PATENT DOCUMENTS**

1,333,479 A \* 3/1920 Farmer ..... 221/281 X

(List continued on next page.)

**OTHER PUBLICATIONS**

Rubbermaid and Matting Catalog, pp. 3,4,14 and 20, Con-  
solidated Plastics Co. Inc., 1992.

(List continued on next page.)

*Primary Examiner*—Terry A. Wallace

(74) *Attorney, Agent, or Firm*—John W. Bunch

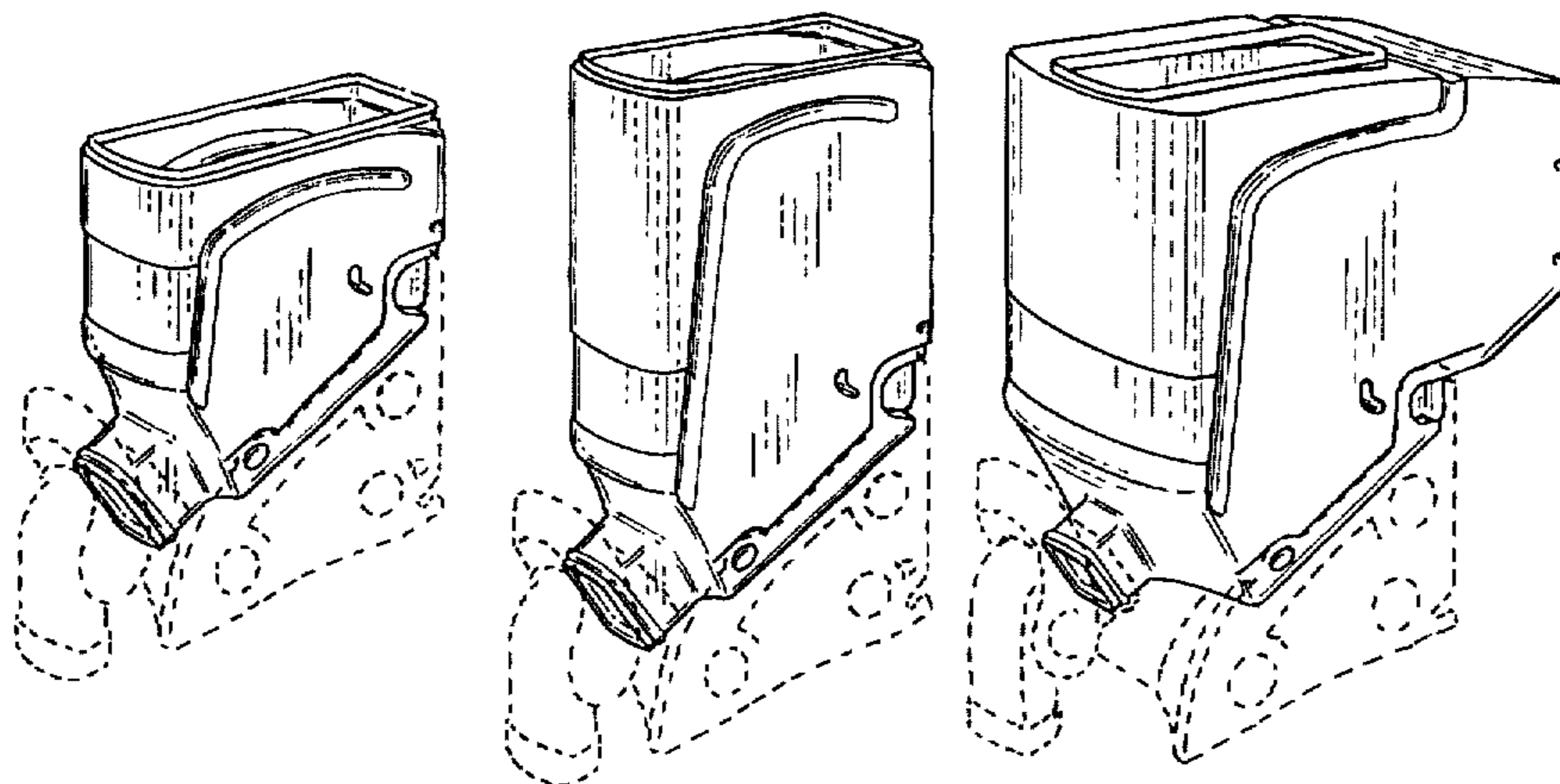
(57) **CLAIM**

The ornamental design for a gravity bin, as shown and  
described.

**DESCRIPTION**

FIG. 1 is a perspective view of a gravity bin showing a first  
embodiment of my new design, the base and discharge spout  
assembly being shown in phantom lines for illustrative  
purposes and forming no part of the claimed design;  
FIG. 2 is a left side elevational view thereof, the right side  
being a mirror image of that shown;  
FIG. 3 is a top plan view thereof;  
FIG. 4 is a bottom plan view thereof;  
FIG. 5 is a front elevational view thereof;  
FIG. 6 is a rear elevational view thereof;  
FIG. 7 is a cross sectional view taken along lines 7—7 of

FIG. 5 in the direction of the arrows;  
FIG. 8 is a cross sectional view taken along lines 8—8 of  
FIG. 2 in the direction of the arrows;  
FIG. 9 is a cross sectional view taken along lines 9—9 of  
FIG. 2 in the direction of the arrows;  
FIG. 10 is a cross sectional view taken along lines 10—10  
of FIG. 2 in the direction of the arrows;  
FIG. 11 is a perspective view of a gravity bin showing a  
second embodiment of my new design, the base and dis-  
charge spout assembly being shown in phantom lines for  
illustrative purposes and forming no part of the claimed  
design;  
FIG. 12 is a left side elevational view thereof, the right side  
being a mirror image of that shown;  
FIG. 13 is a top plan view thereof;  
FIG. 14 is a bottom plan view thereof;  
FIG. 15 is a front elevational view thereof;  
FIG. 16 is a rear elevational view thereof;  
FIG. 17 is a cross sectional view taken along lines 17—17  
of FIG. 15 in the direction of the arrows;  
FIG. 18 is a cross sectional view taken along lines 18—18  
of FIG. 12 in the direction of the arrows;  
FIG. 19 is a cross sectional view taken along lines 19—19  
of FIG. 12 in the direction of the arrows;  
FIG. 20 is a cross sectional view taken along lines 20—20  
of FIG. 12 in the direction of the arrows;  
FIG. 21 is a perspective view of a gravity bin showing a third  
embodiment of my new design, the base and discharge spout  
assembly being shown in phantom lines for illustrative  
purposes and forming no part of the claimed design;  
FIG. 22 is a left side elevational view thereof, the right side  
being a mirror image of that shown;  
FIG. 23 is a top plan view thereof;  
FIG. 24 is a bottom plan view thereof;  
FIG. 25 is a front elevational view thereof;  
FIG. 26 is a rear elevational view thereof;  
FIG. 27 is a cross sectional view taken along lines 27—27  
of FIG. 25 in the direction of the arrows;  
FIG. 28 is a cross sectional view taken along lines 28—28  
of FIG. 22 in the direction of the arrows;  
FIG. 29 is a cross sectional view taken along lines 29—29  
of FIG. 22 in the direction of the arrows; and,  
FIG. 30 is a cross sectional view taken along lines 30—30  
of FIG. 22 in the direction of the arrows.



# US D469,661 S

Page 2

## U.S. PATENT DOCUMENTS

D254,832 S 4/1980 Zappa ..... D7/99  
4,438,564 A 3/1984 Ashton ..... 30/324  
D289,837 S 5/1987 Luckey ..... D6/471  
D296,405 S 6/1988 Weaver ..... D7/76  
D307,694 S 5/1990 Billie ..... D7/691  
D310,748 S 9/1990 Embree et al. .... D34/40  
5,035,445 A 7/1991 Poulin ..... 280/763.1  
D327,641 S 7/1992 Hoskinson et al. .... D8/370  
D332,374 S 1/1993 Saunders ..... D7/589  
D335,242 S 5/1993 Saunders ..... D7/589  
D345,283 S \* 3/1994 Papanicholas ..... D7/589  
D351,284 S 10/1994 Kruger ..... D3/314  
D352,586 S 11/1994 Baucom ..... D34/23  
5,437,393 A 8/1995 Blicher et al. .... 222/77  
D371,458 S 7/1996 Valls et al. .... D3/266  
5,560,519 A 10/1996 Moore et al. .... 222/129  
D385,432 S 10/1997 Baluk et al. .... D6/437  
5,673,823 A \* 10/1997 Hanks et al. .... 222/185.1  
D402,160 S \* 12/1998 Rushing ..... D7/589 .....

## OTHER PUBLICATIONS

Advertisement entitled "Introducing the FruitSource Center and VersaBin", FruitSource Confections, Inc., copyright 1992.  
Advertisement entitled "Bulk, Dry Food Dispenser", HCF Marketing, Rogers, Minnesota, dated Feb. 1985.  
Advertisement entitled "How You can Profit from Our Passion", Aquadine, Inc., Santa Rosa, CA, copyright 1993.  
Hubert Merchandising Solutions Catalog, pp. 239-244, dated 1994.  
Blitz U.S.A. Pet Products Catalog, copyright 1994.  
Trade Fixtures STock Options Catalog, copyright 1994.  
Hubert Catalog, pp. 327 and 328, dated 1997.  
Hubert Catalog, pp. 293 and 294, dated 1996.  
Faribo Manufacturing Company Catalog, dated Feb. 1996.  
Crown Plastics, Inc. Product Catalog, undated.  
Eight O'Clock Coffee System 2000 Catalog, undated.  
Trade Bins Gravity Feed Bins and Scoop Bins Catalog, undated.

\* cited by examiner



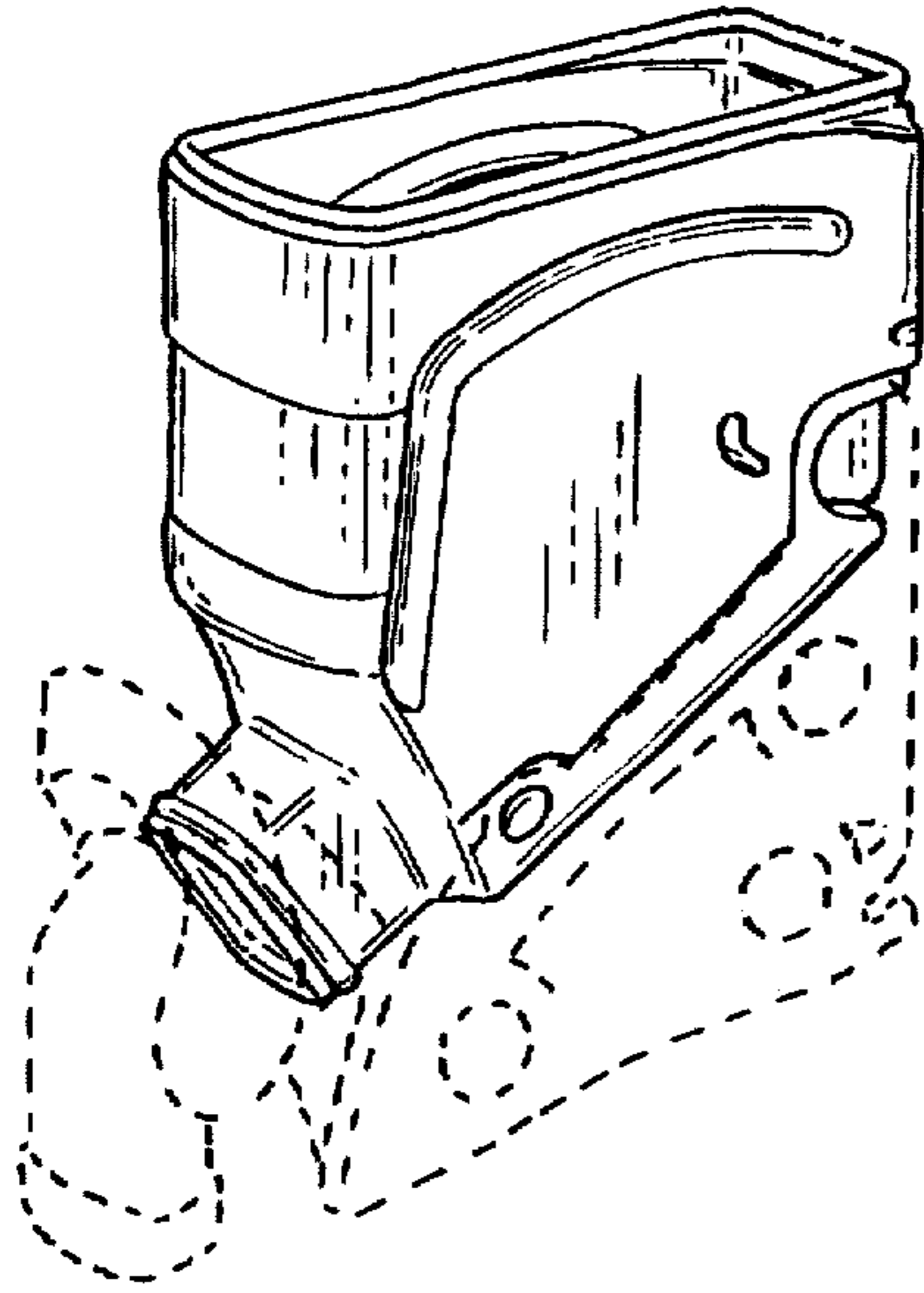


FIG. 1

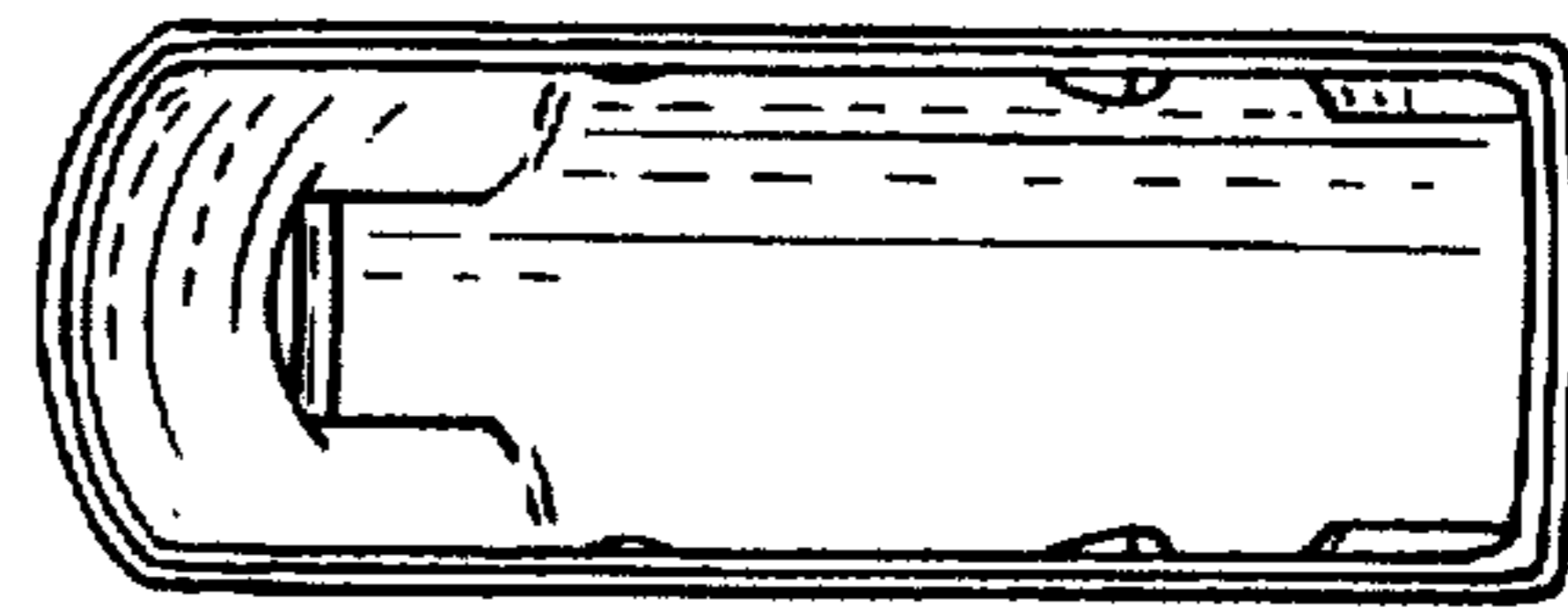


FIG. 3

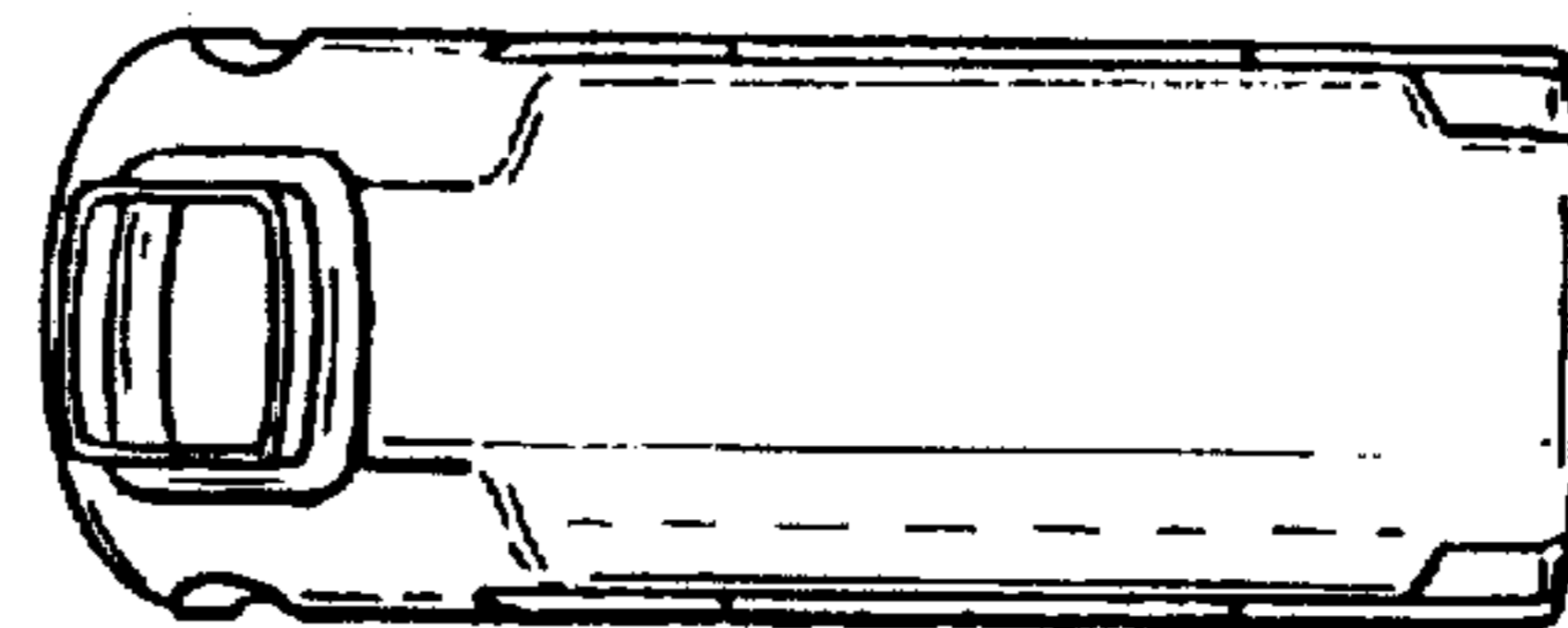


FIG. 4

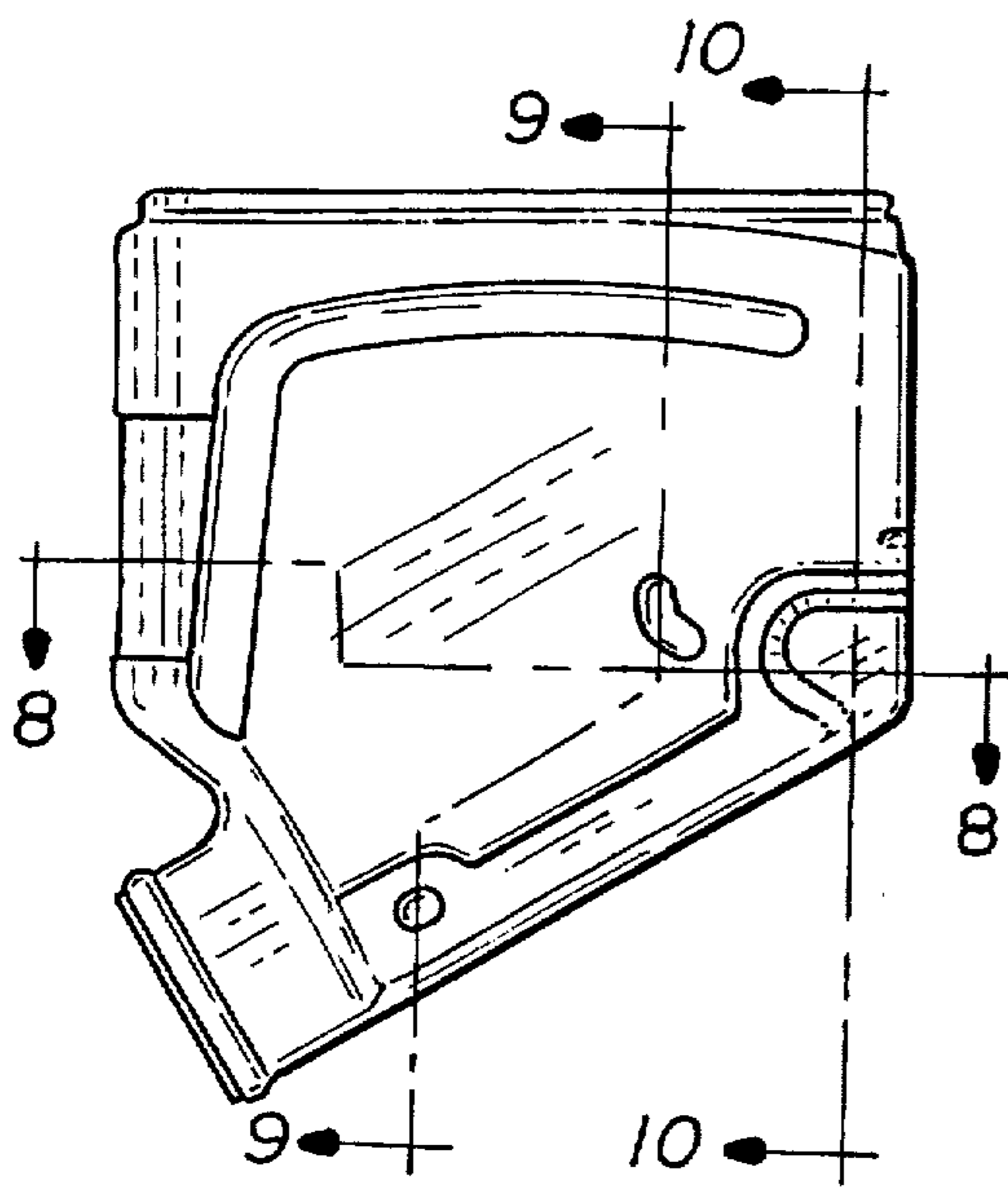


FIG. 2

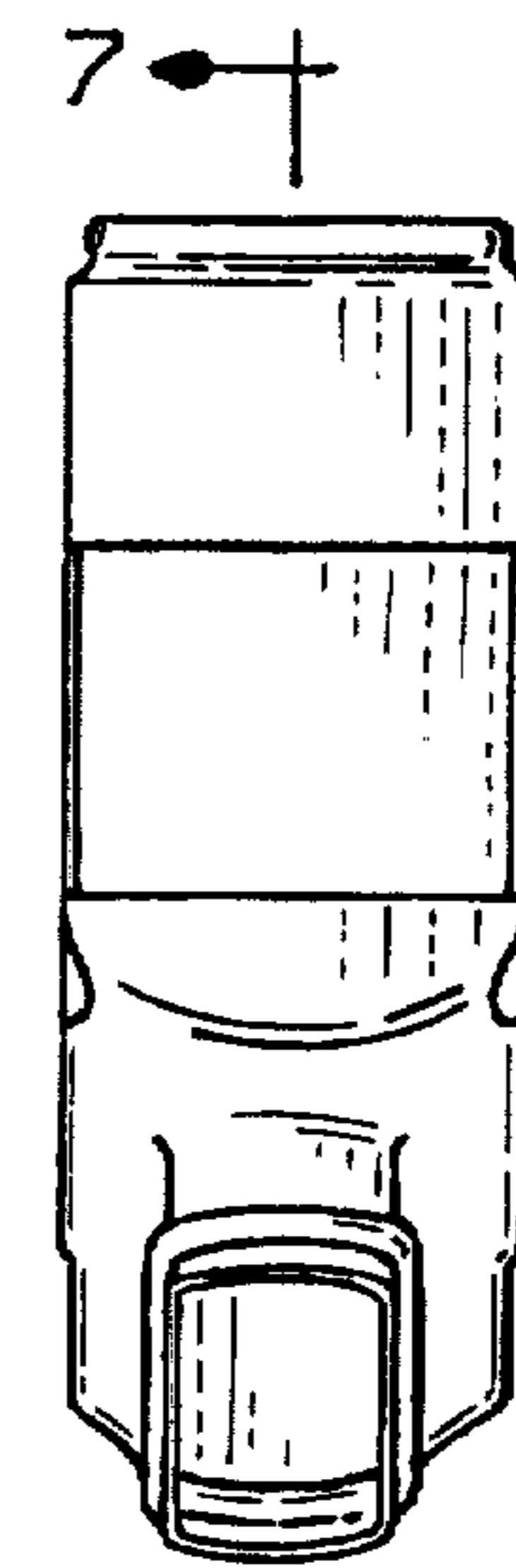


FIG. 5

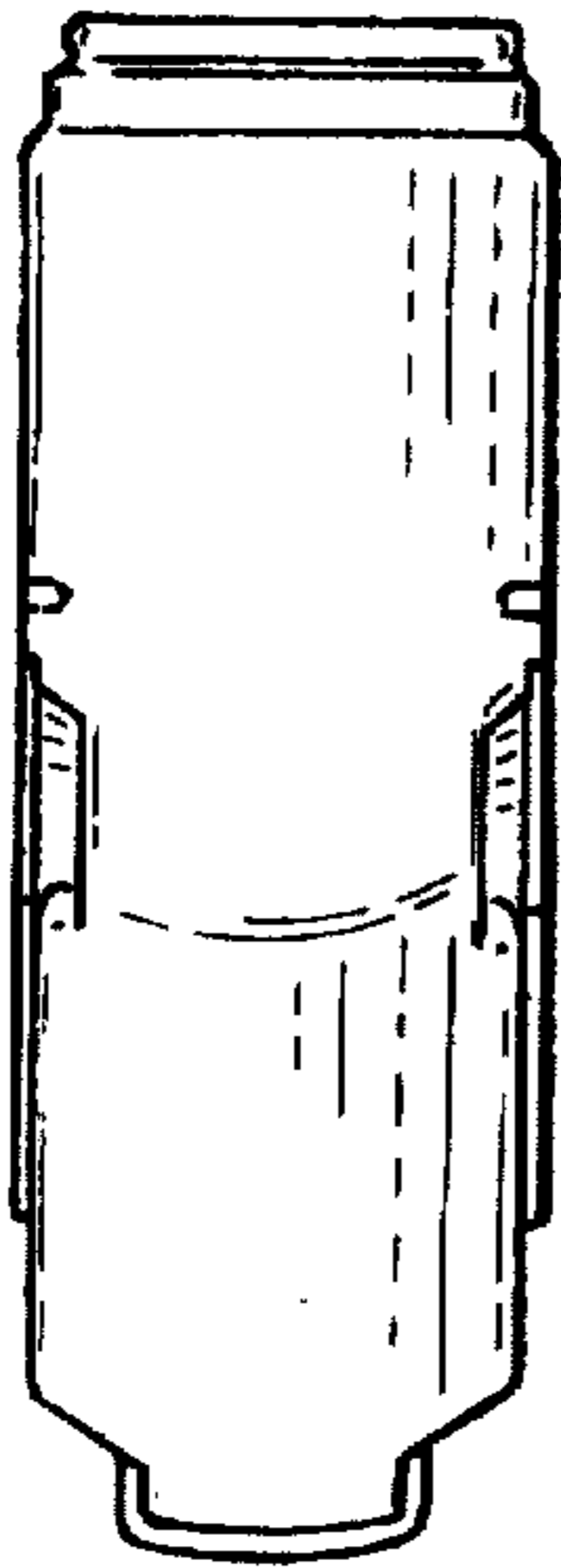


FIG. 6

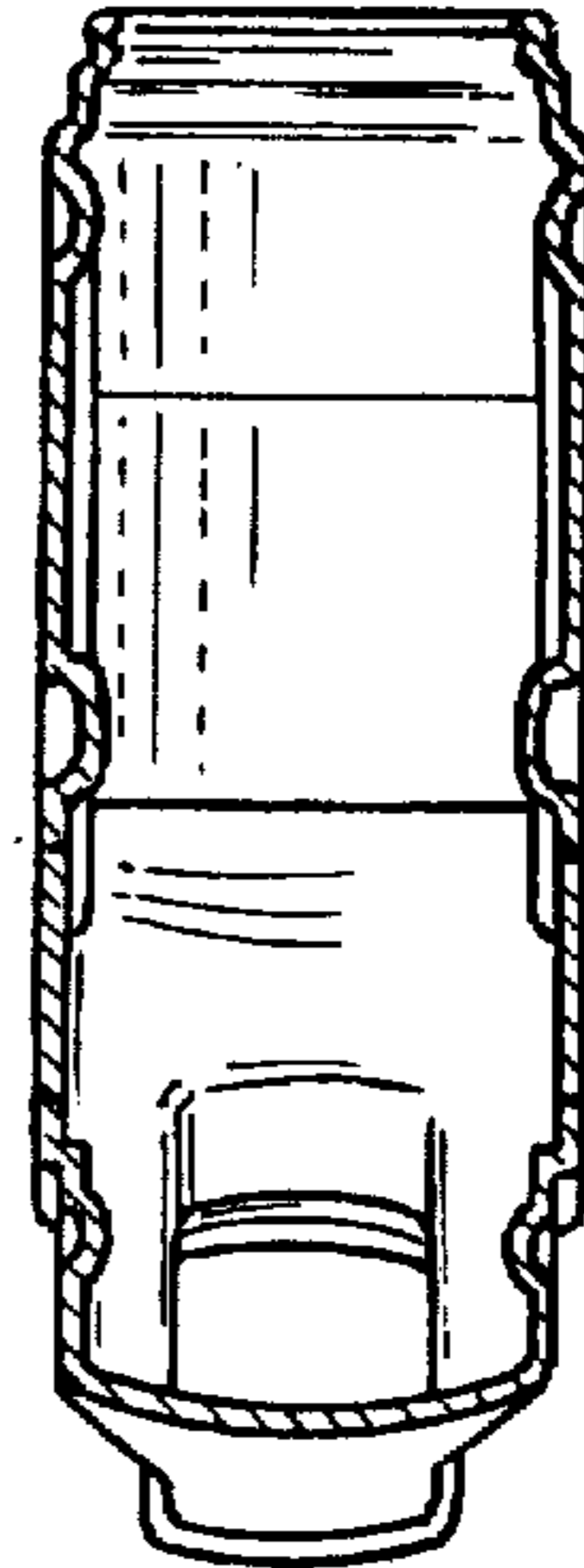


FIG. 9

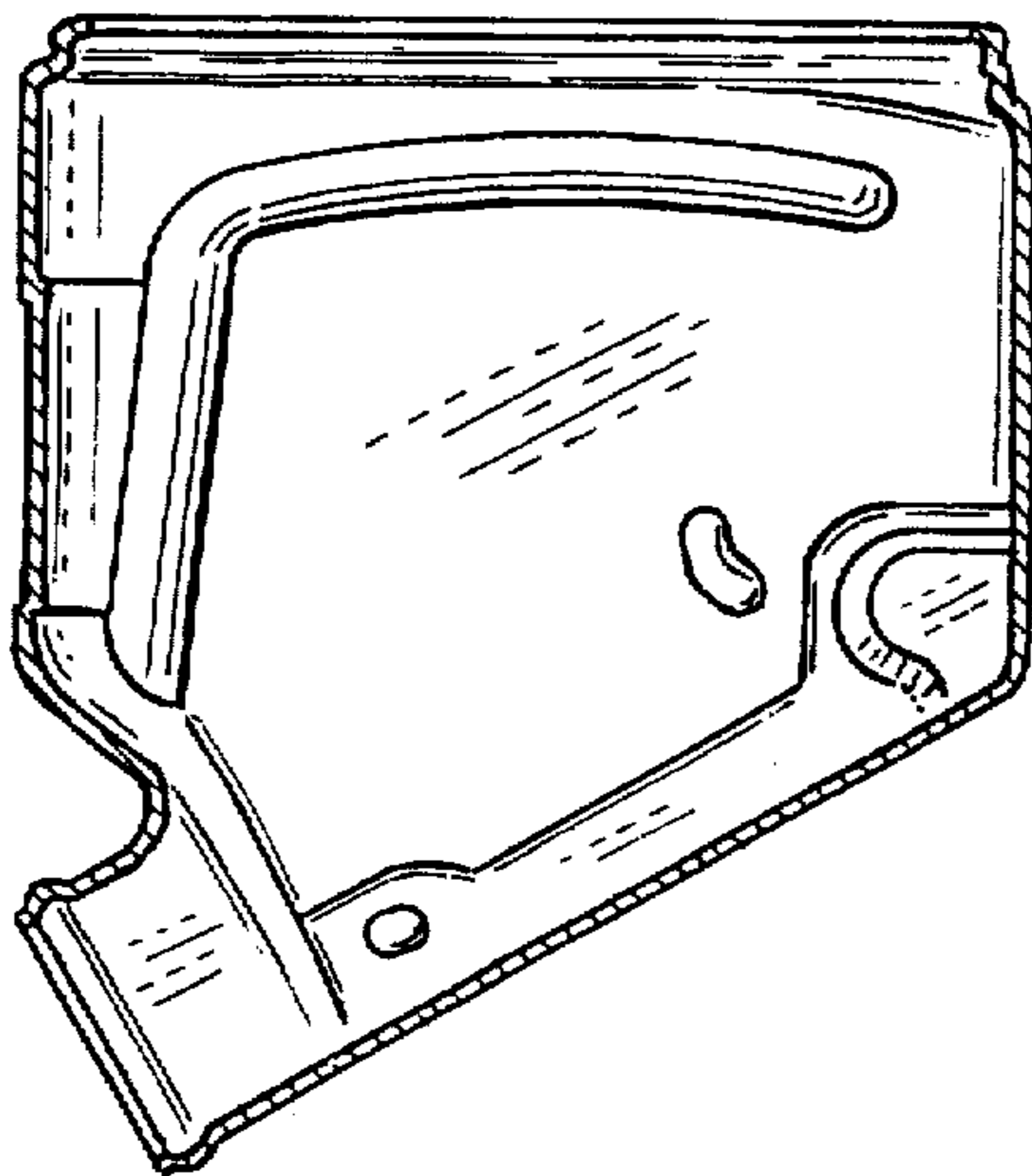


FIG. 7

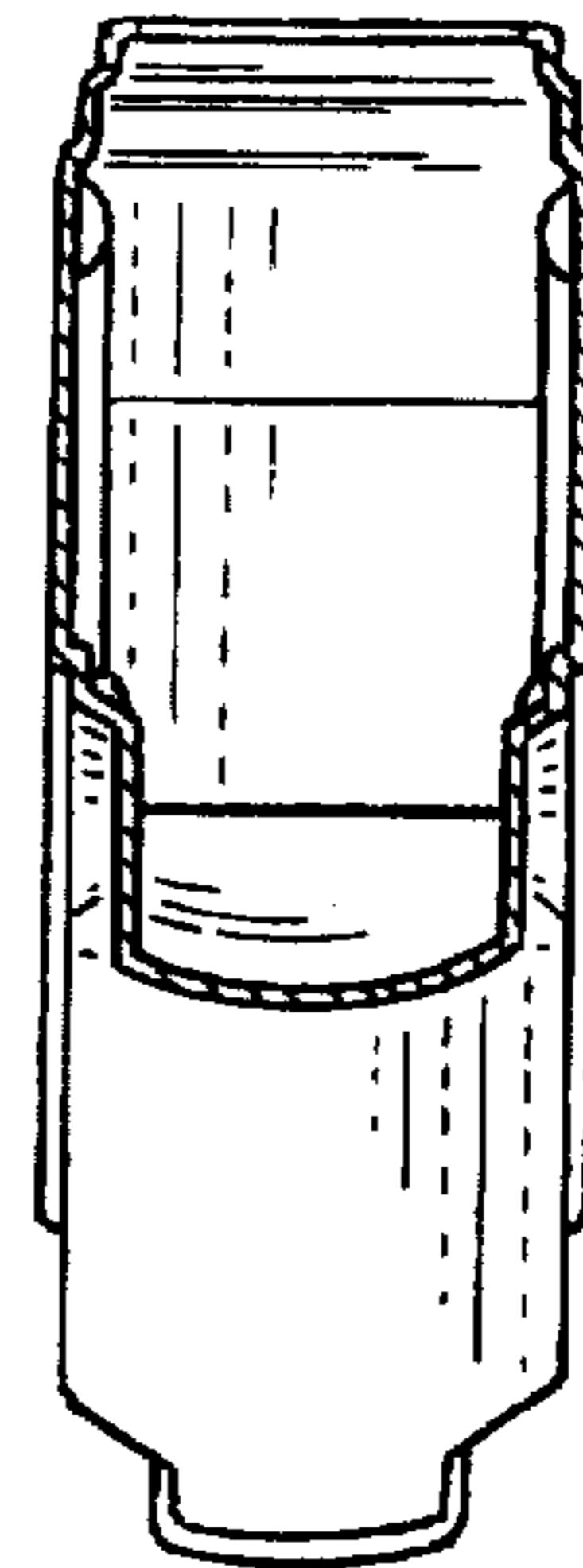


FIG. 10

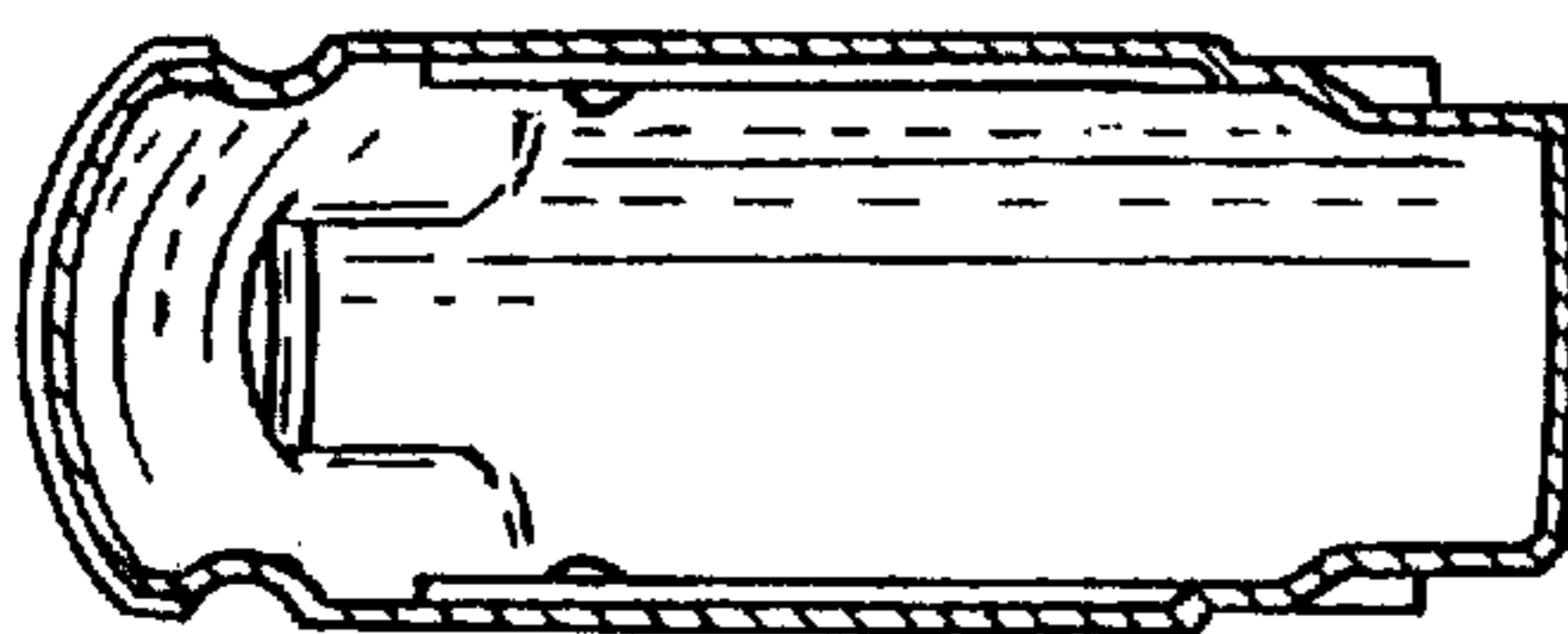


FIG. 8

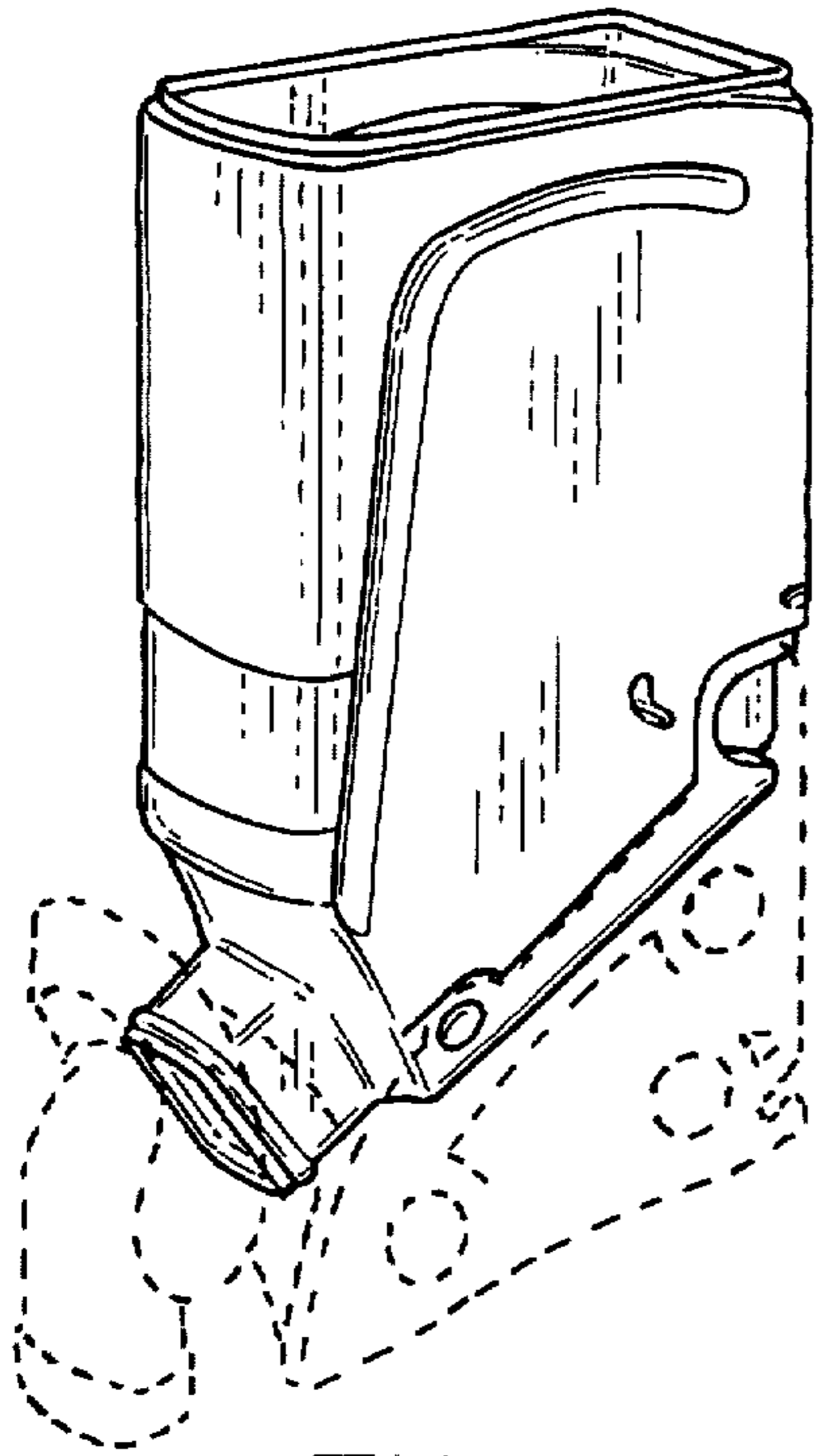


FIG. 11

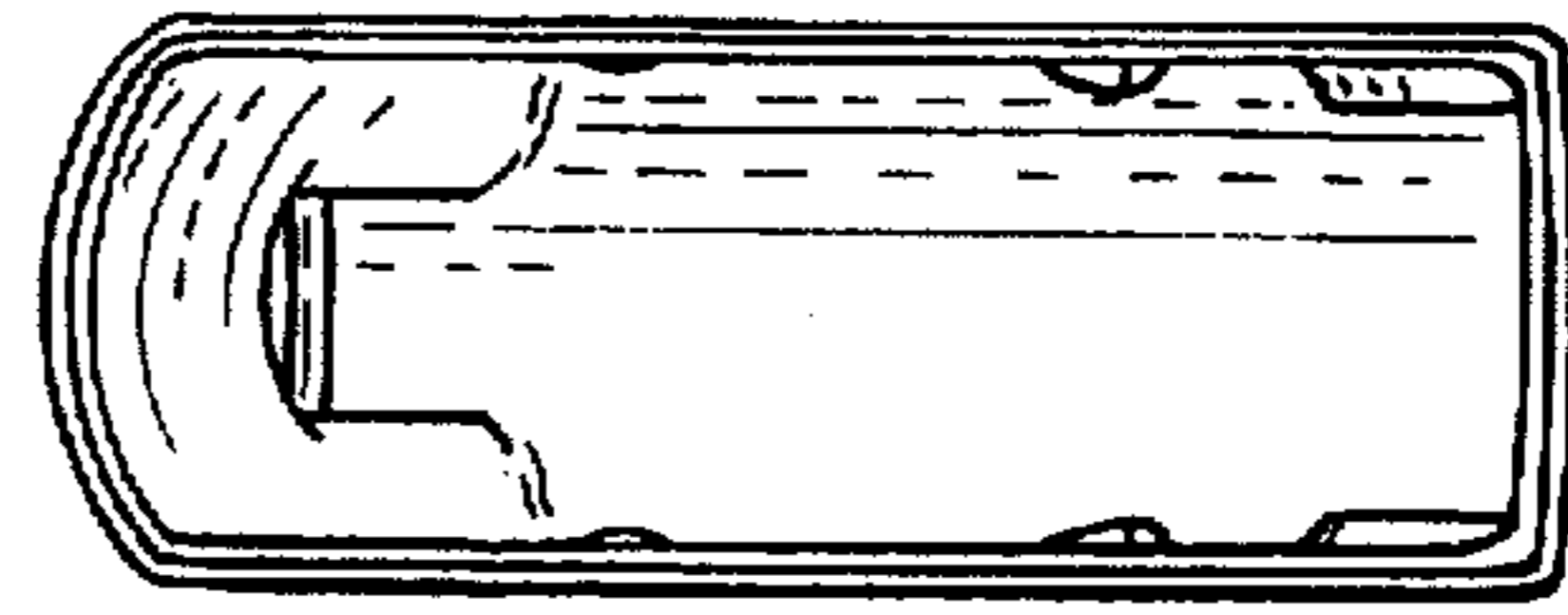


FIG. 13

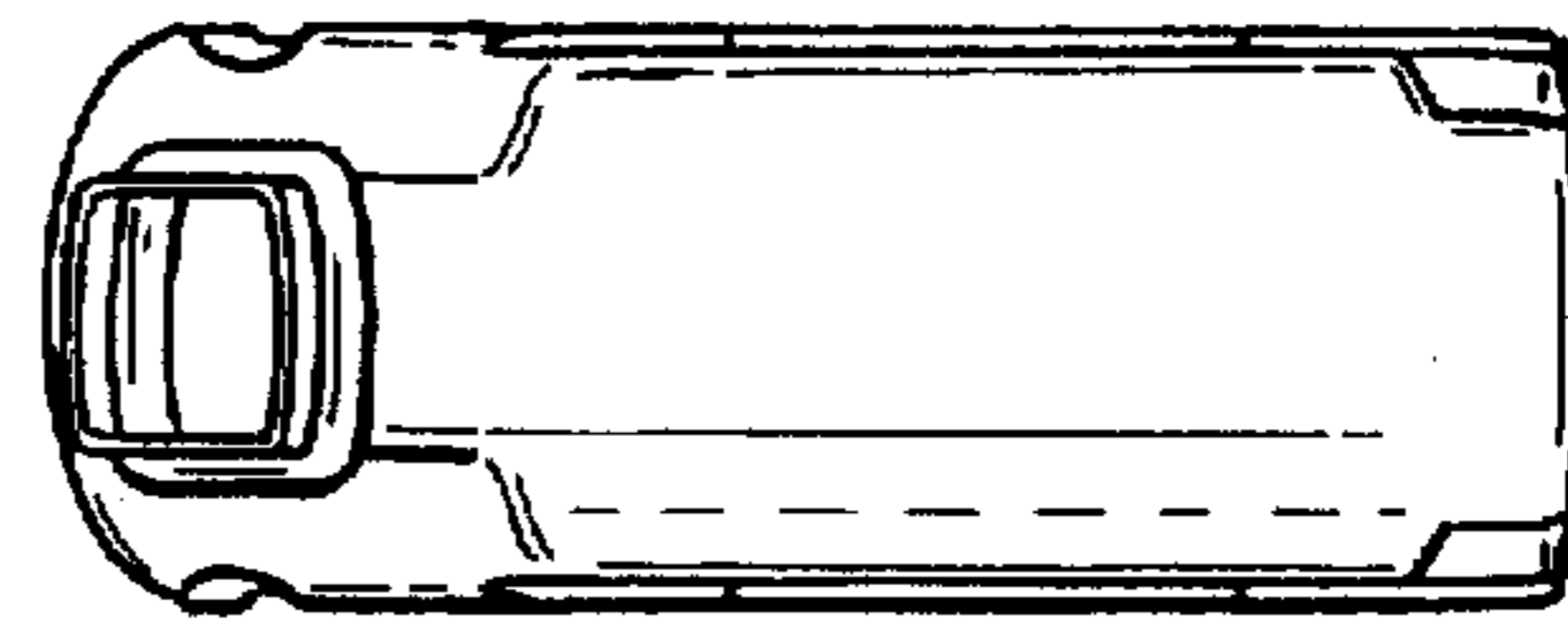


FIG. 14

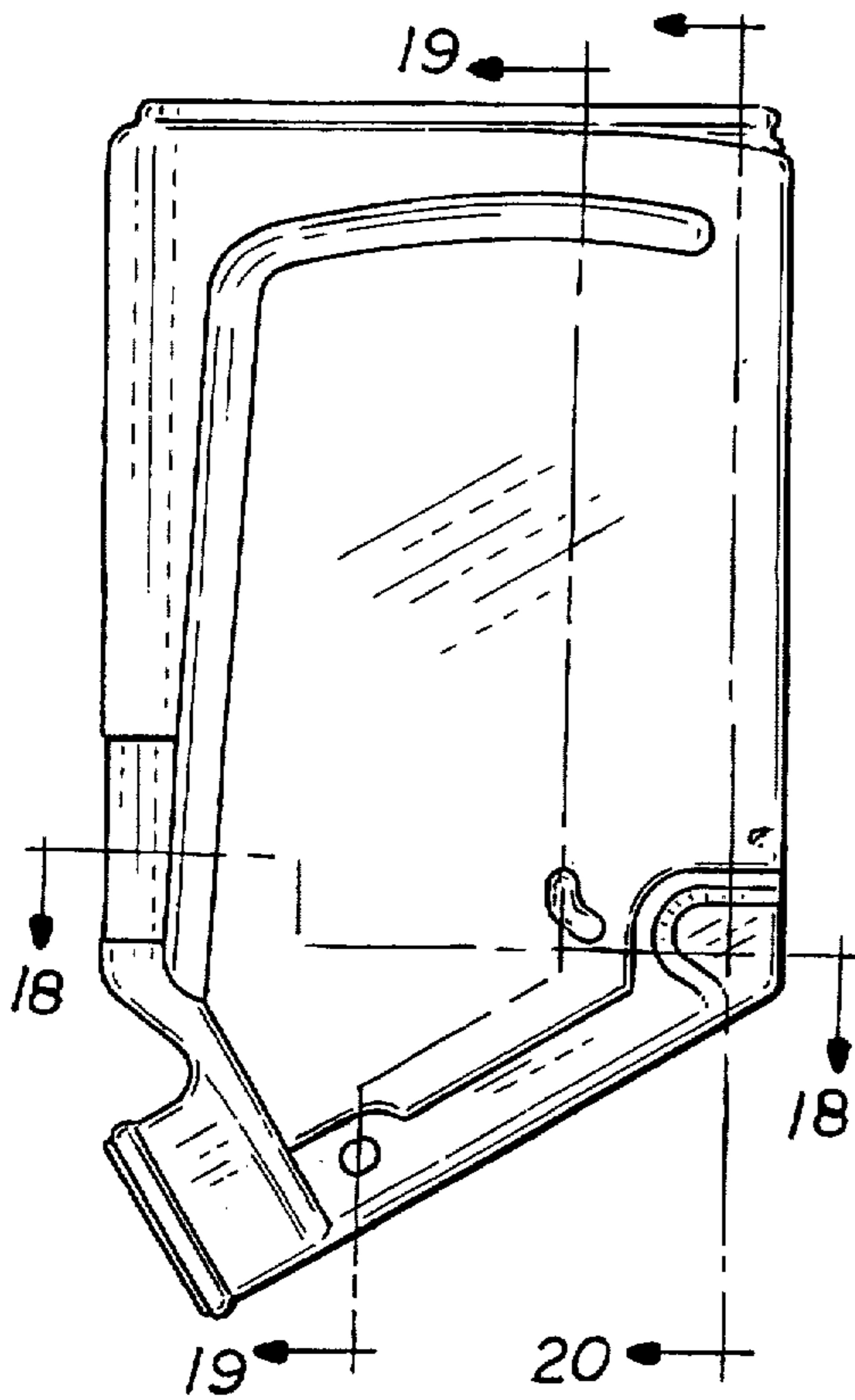


FIG. 12

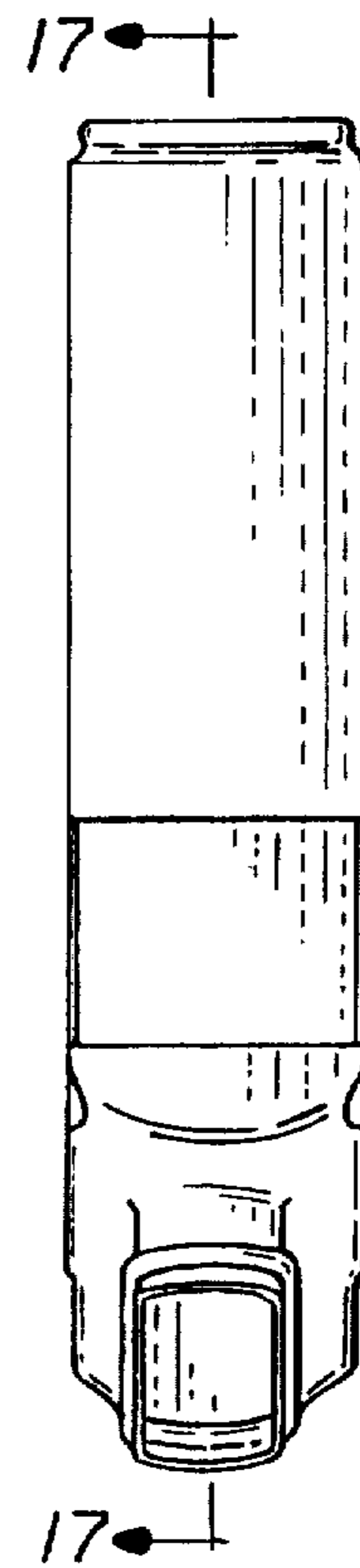


FIG. 15

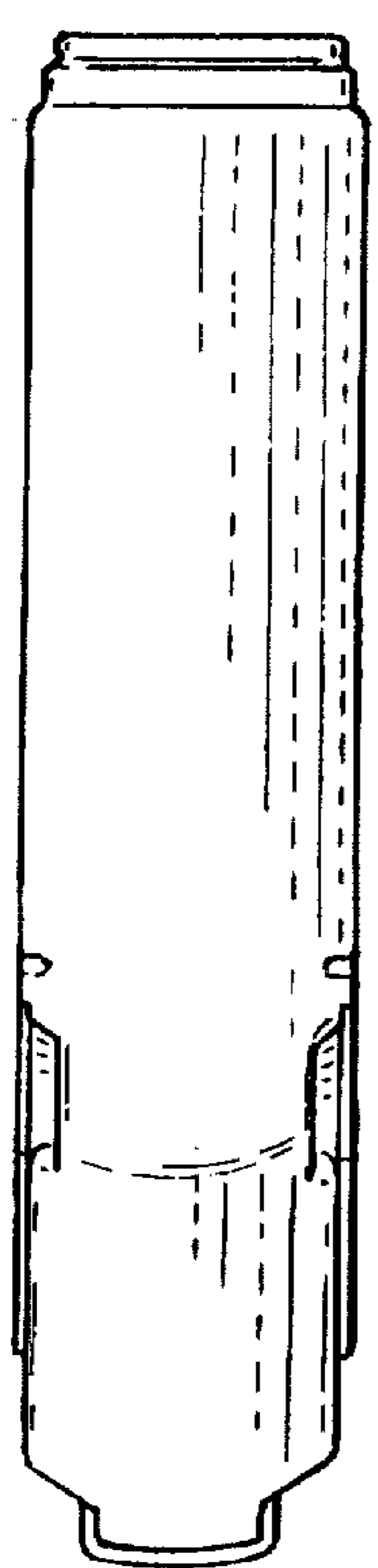


FIG. 16

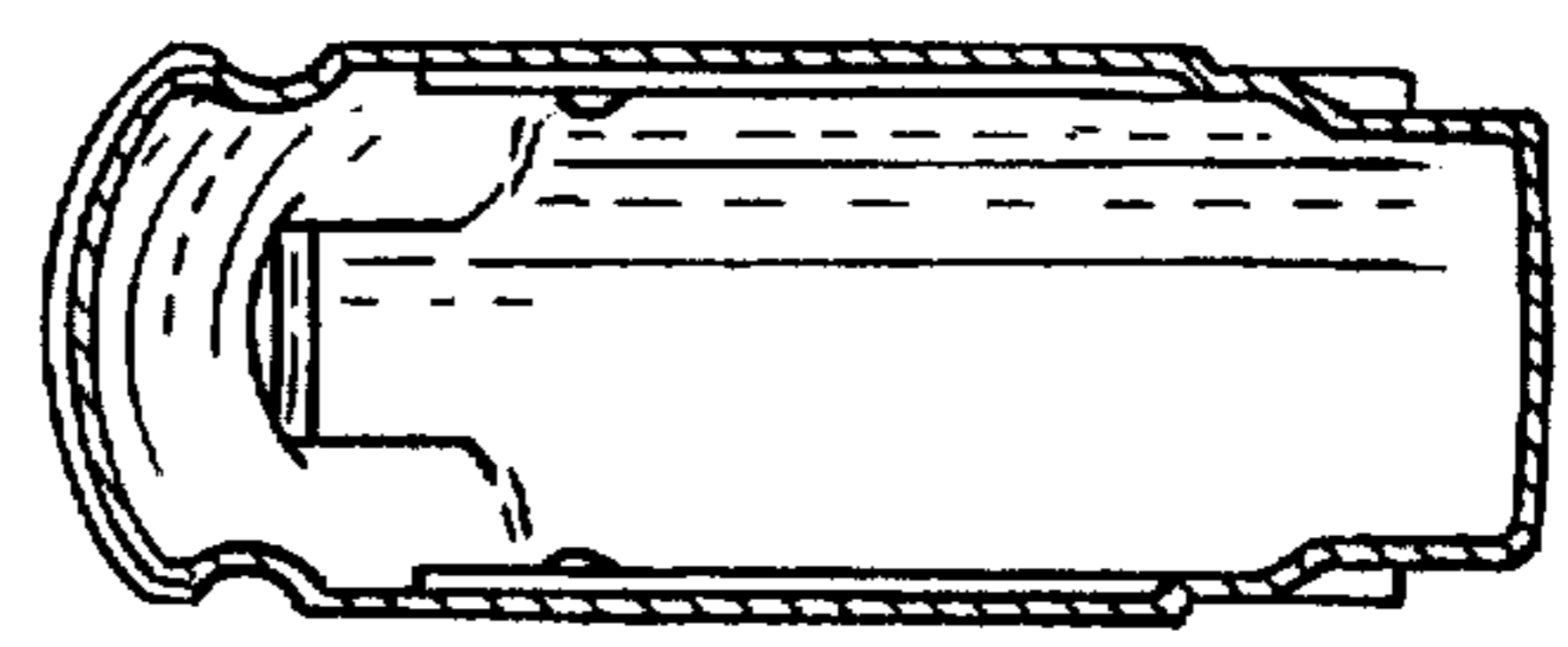


FIG. 18

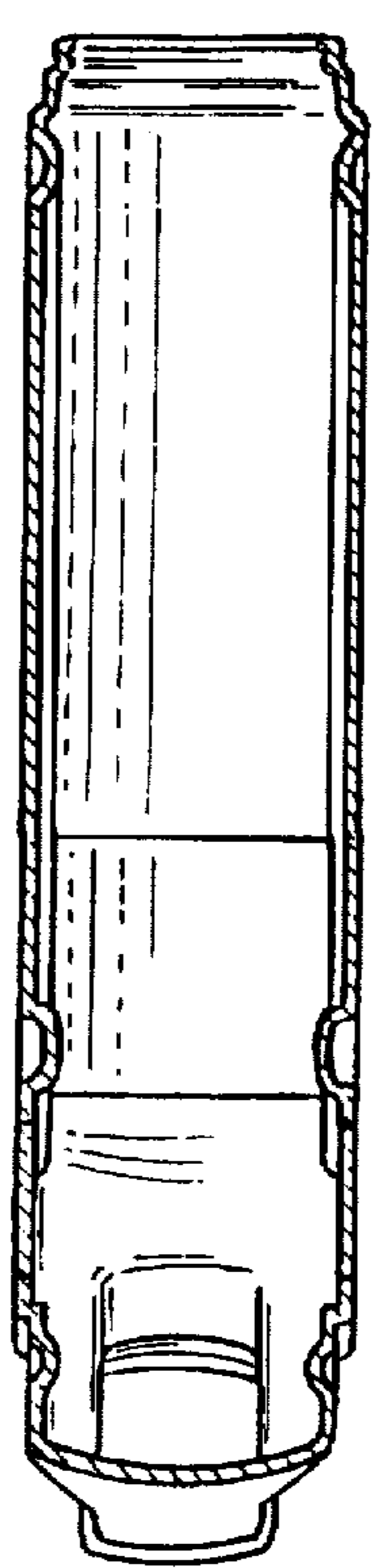


FIG. 19

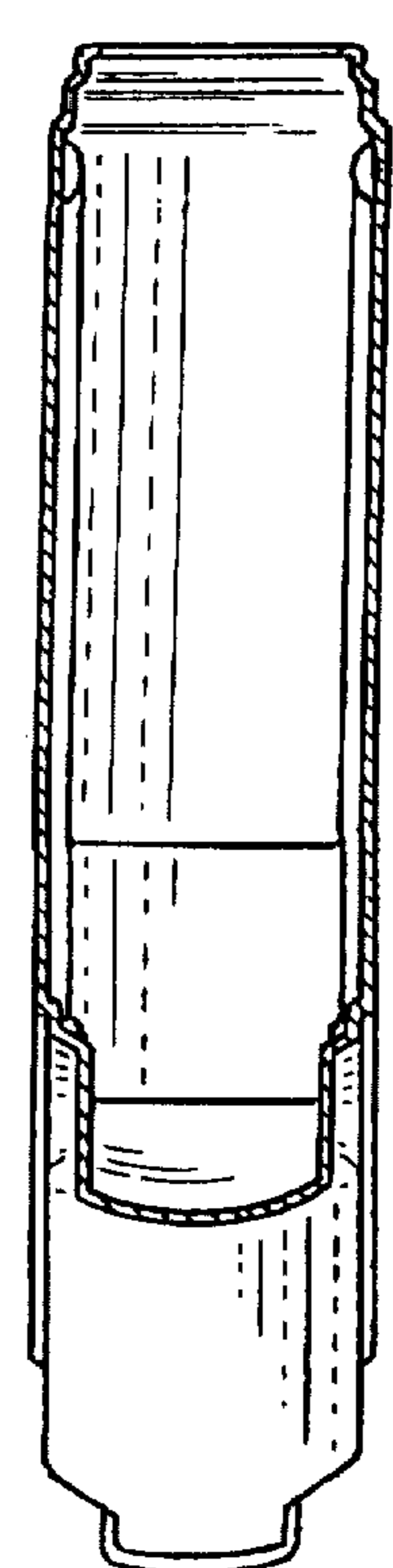


FIG. 20

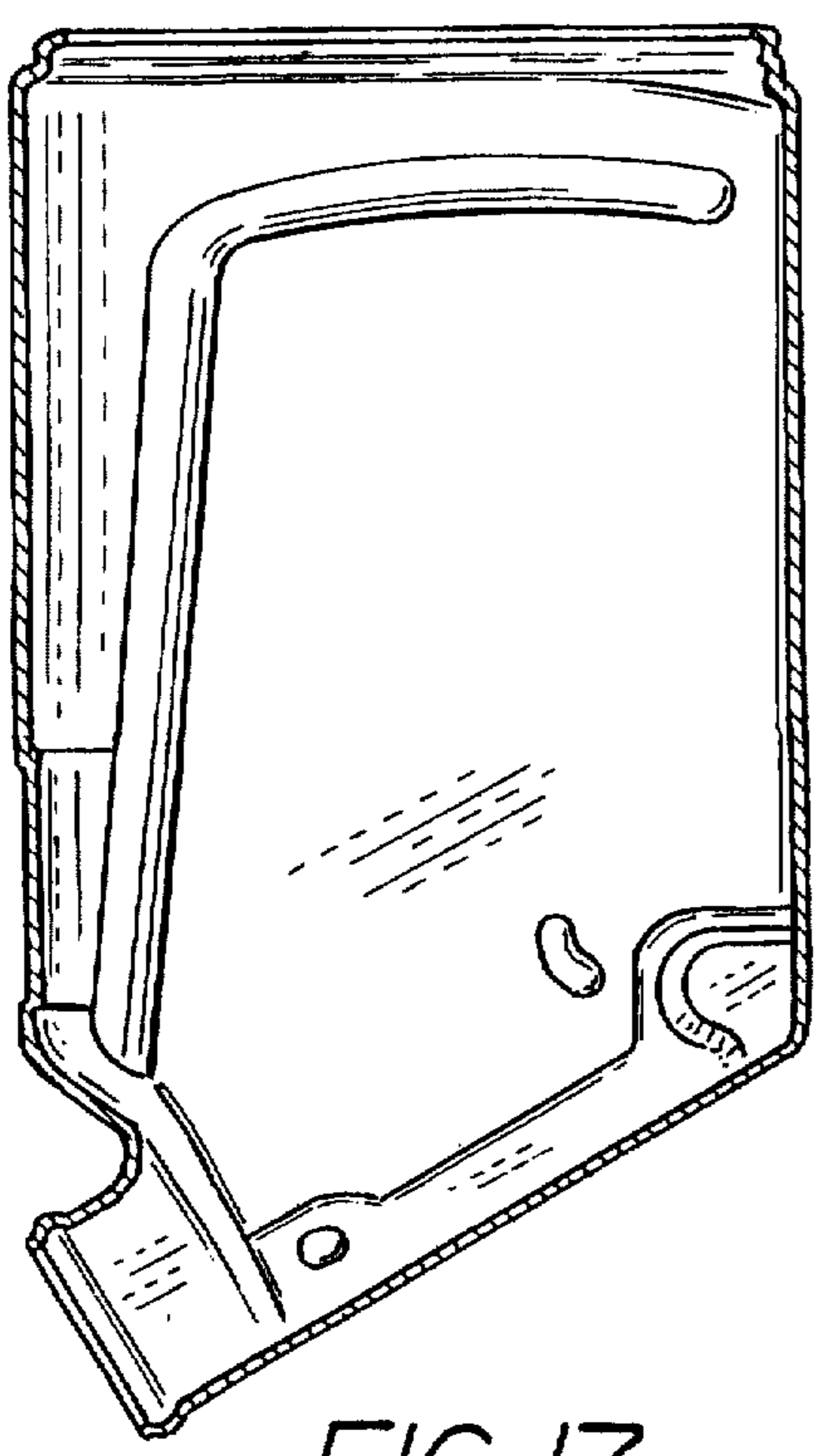


FIG. 17

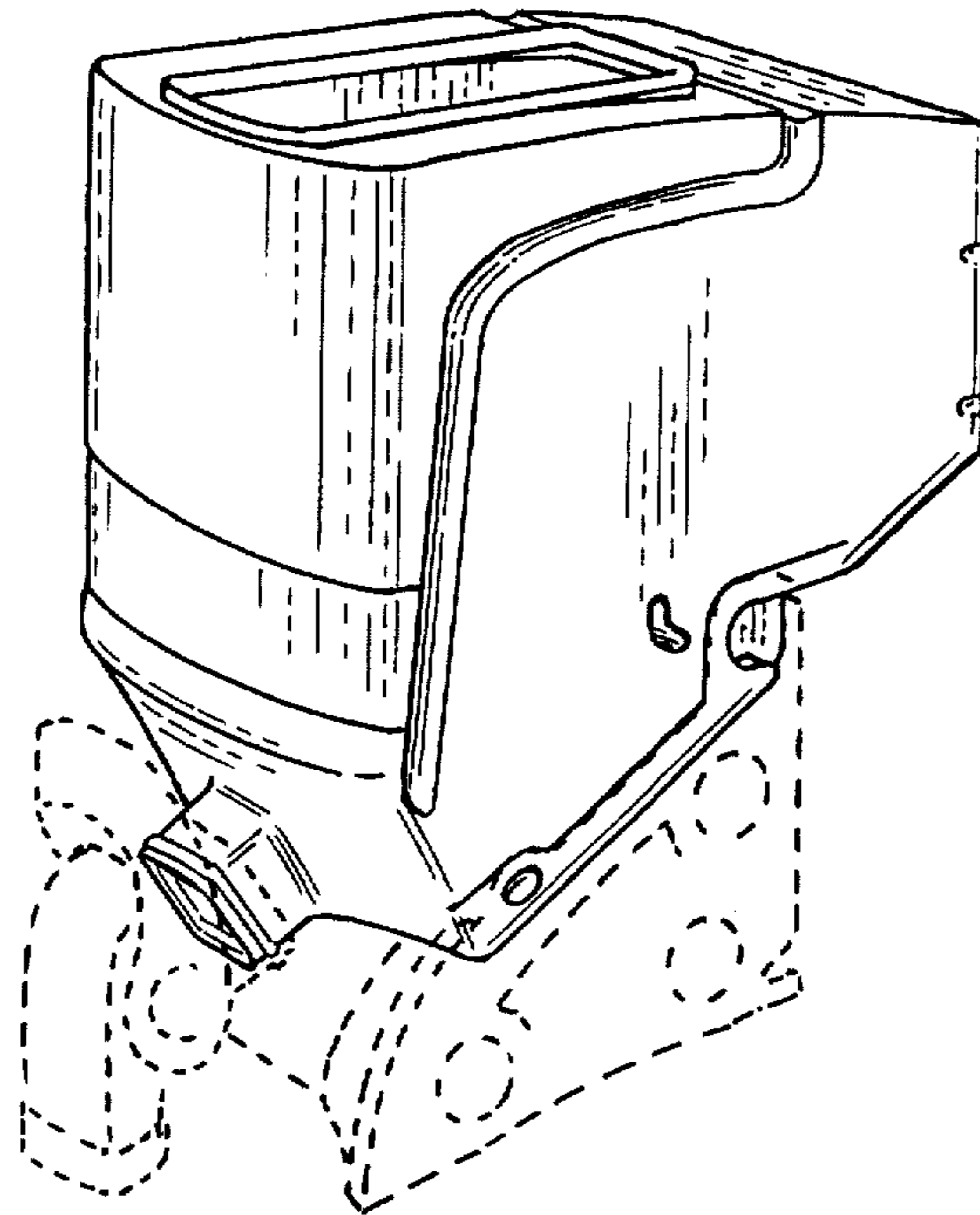


FIG. 21

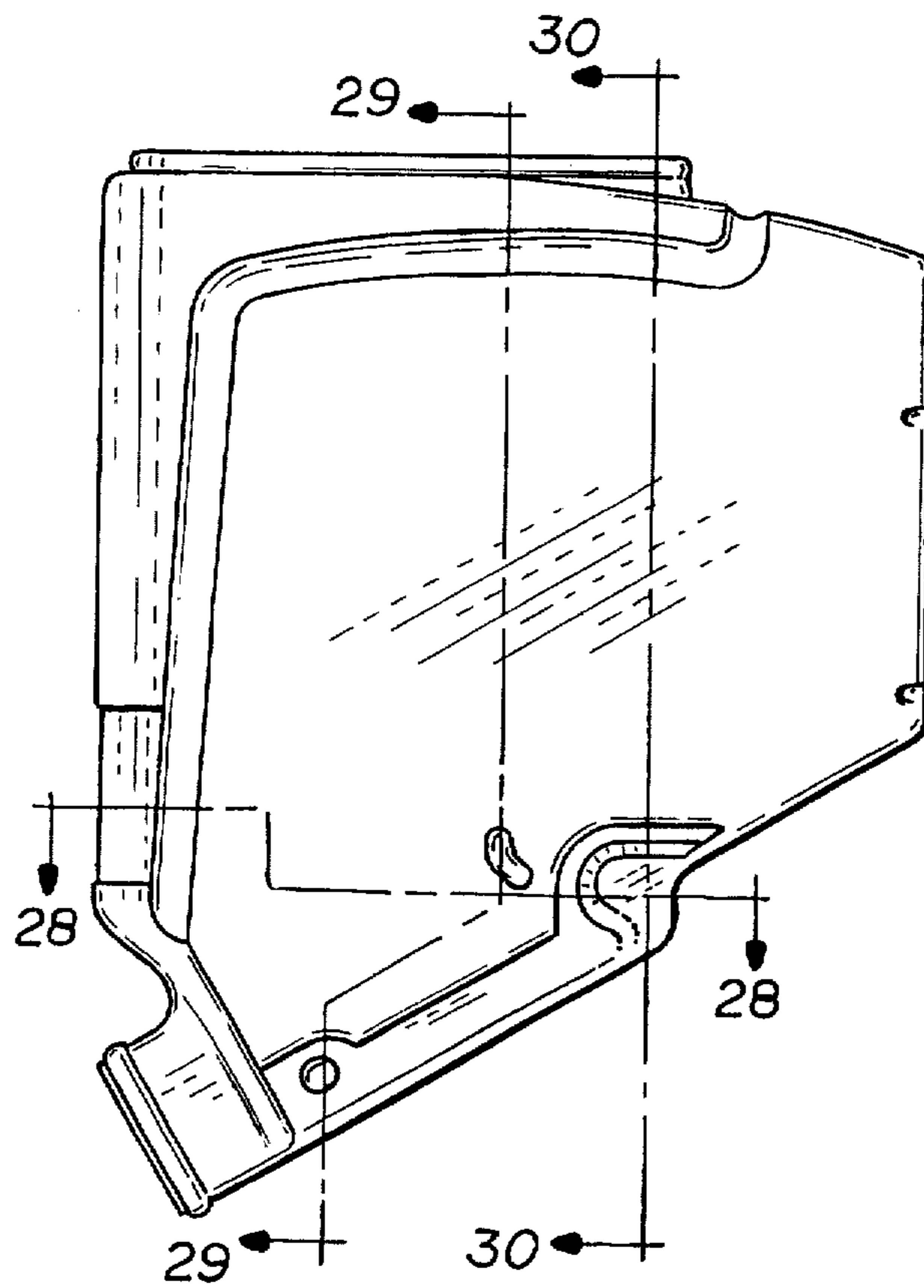


FIG. 22



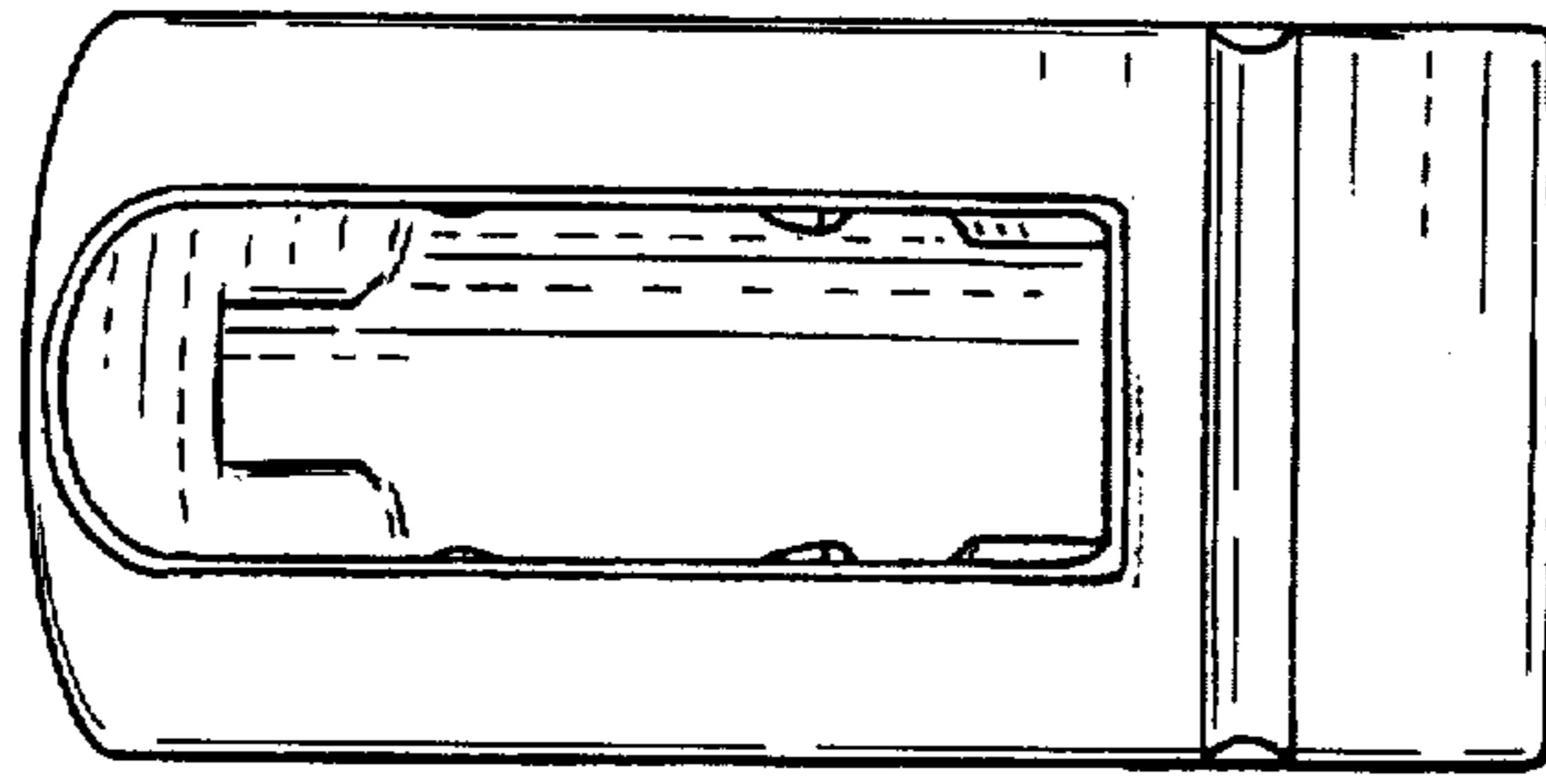


FIG. 23

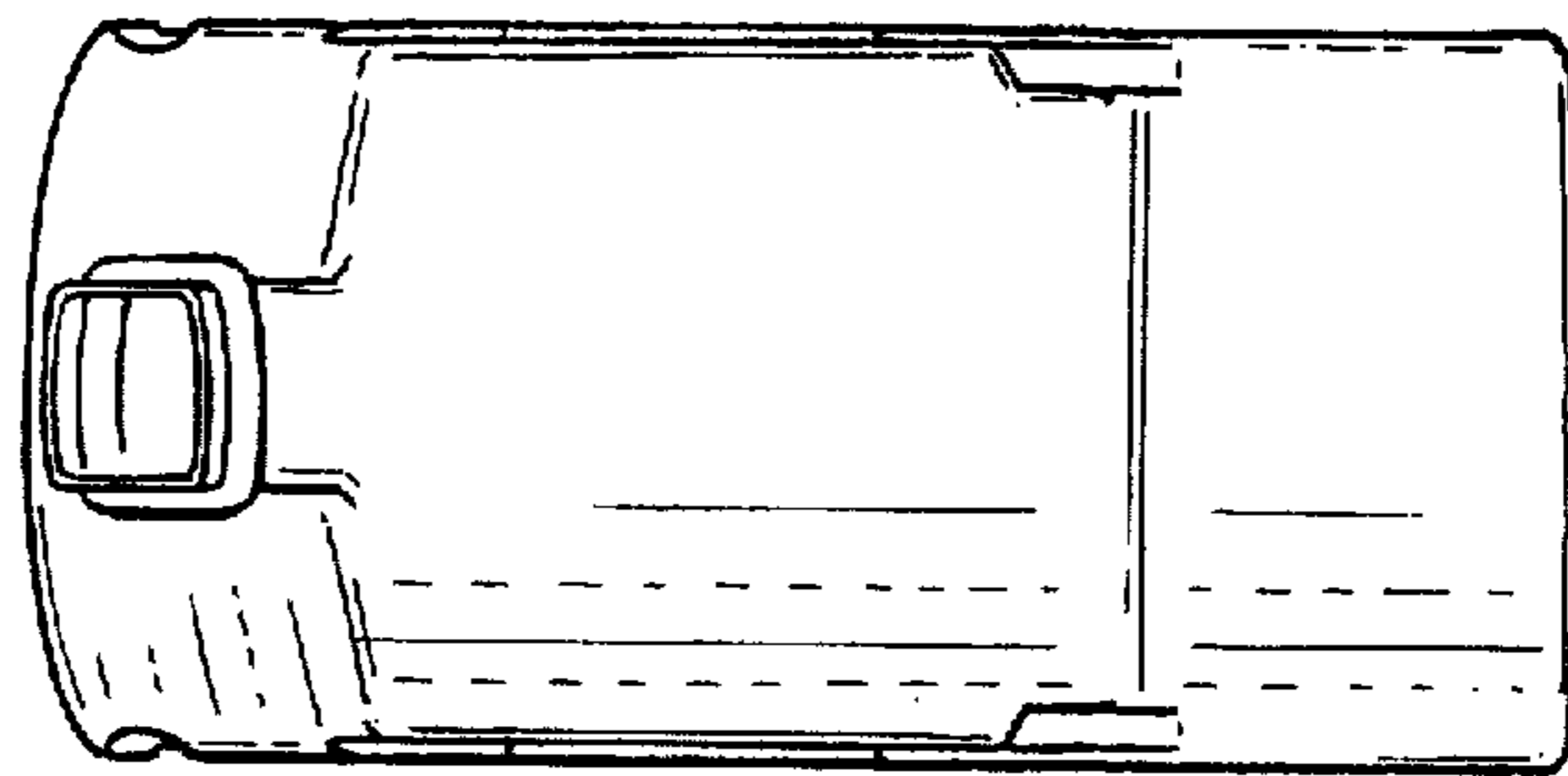
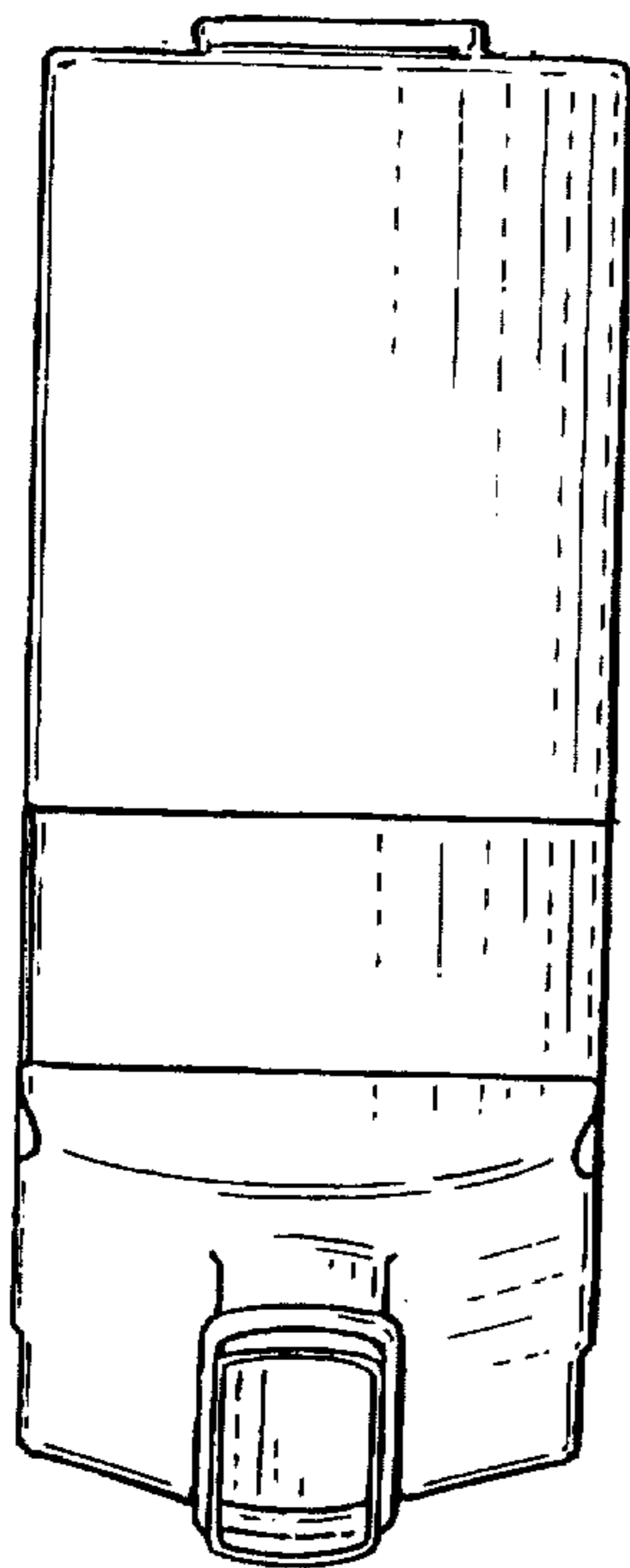


FIG. 24

27 ← +



27 ← +

FIG. 25

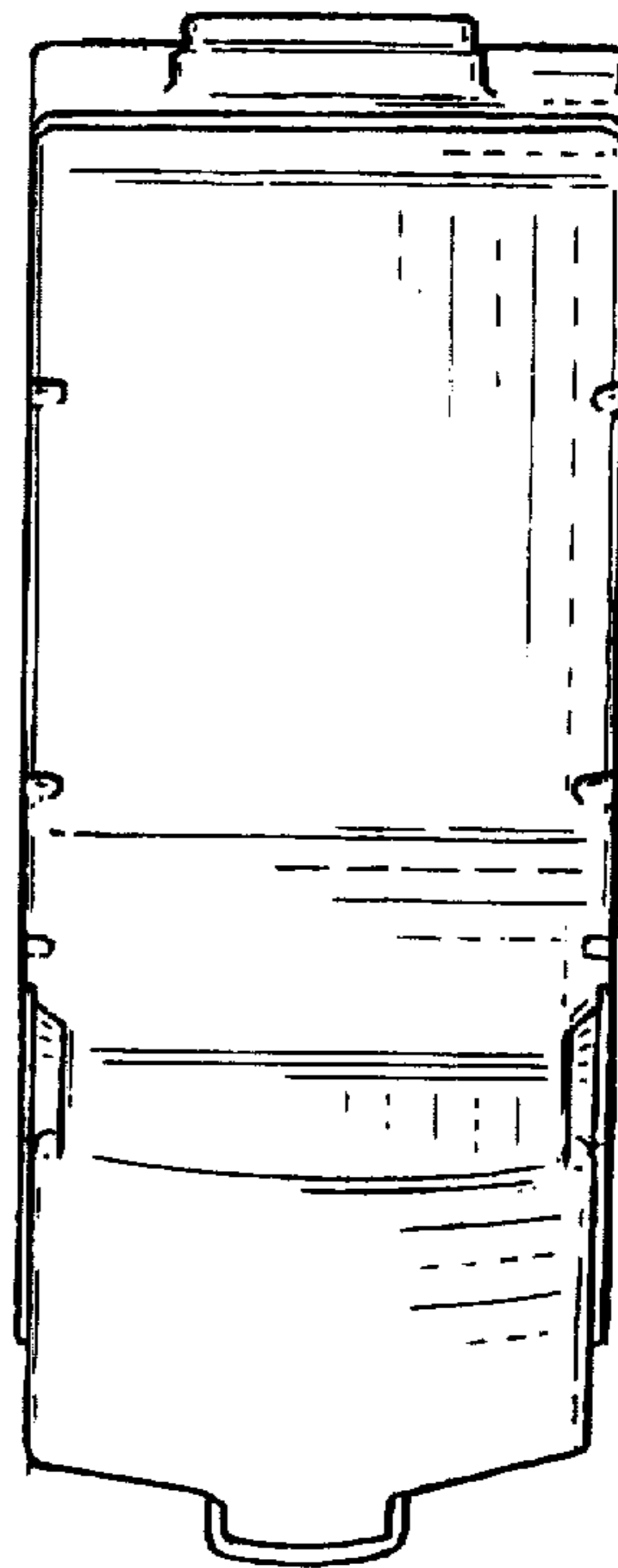


FIG. 26



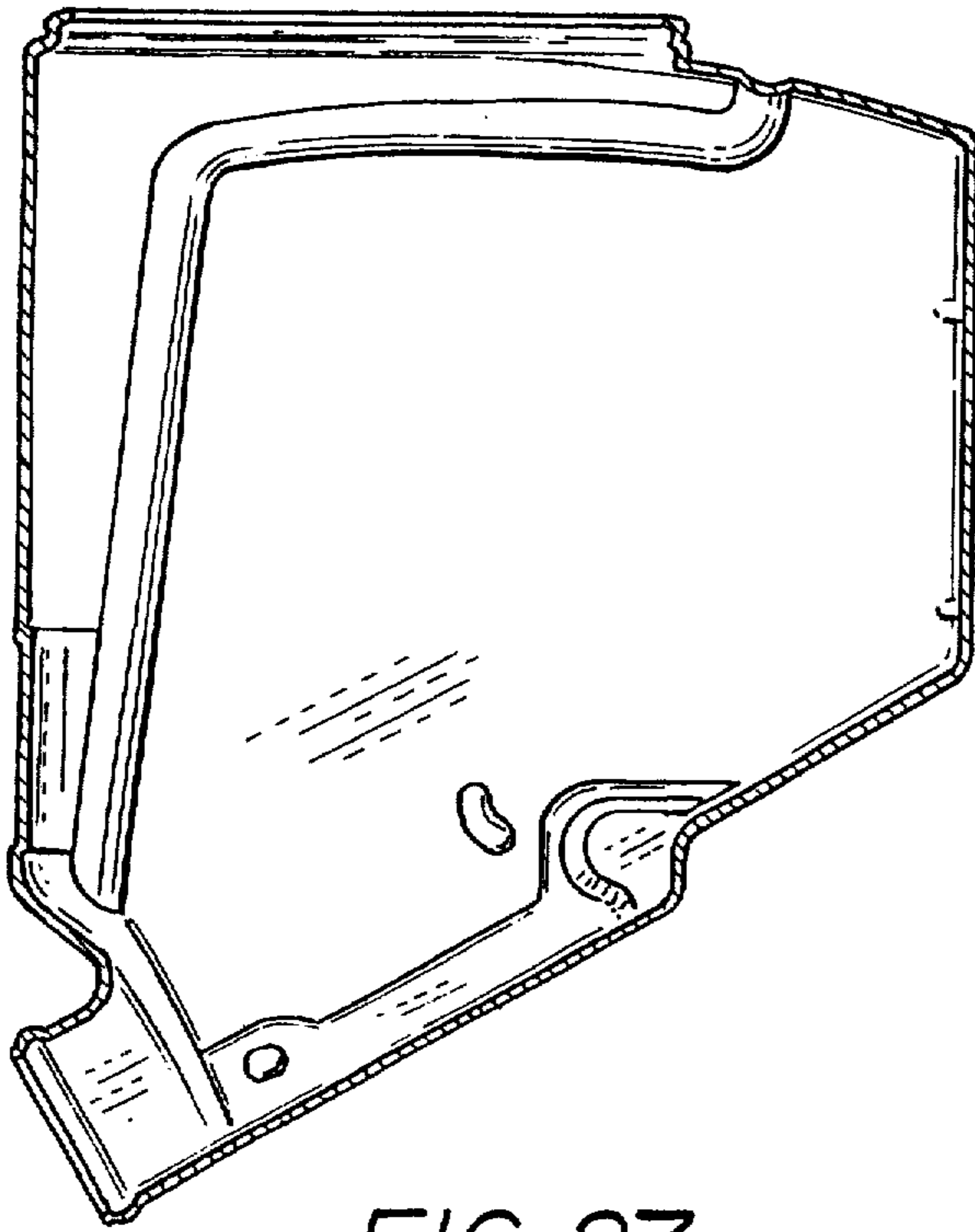


FIG. 27

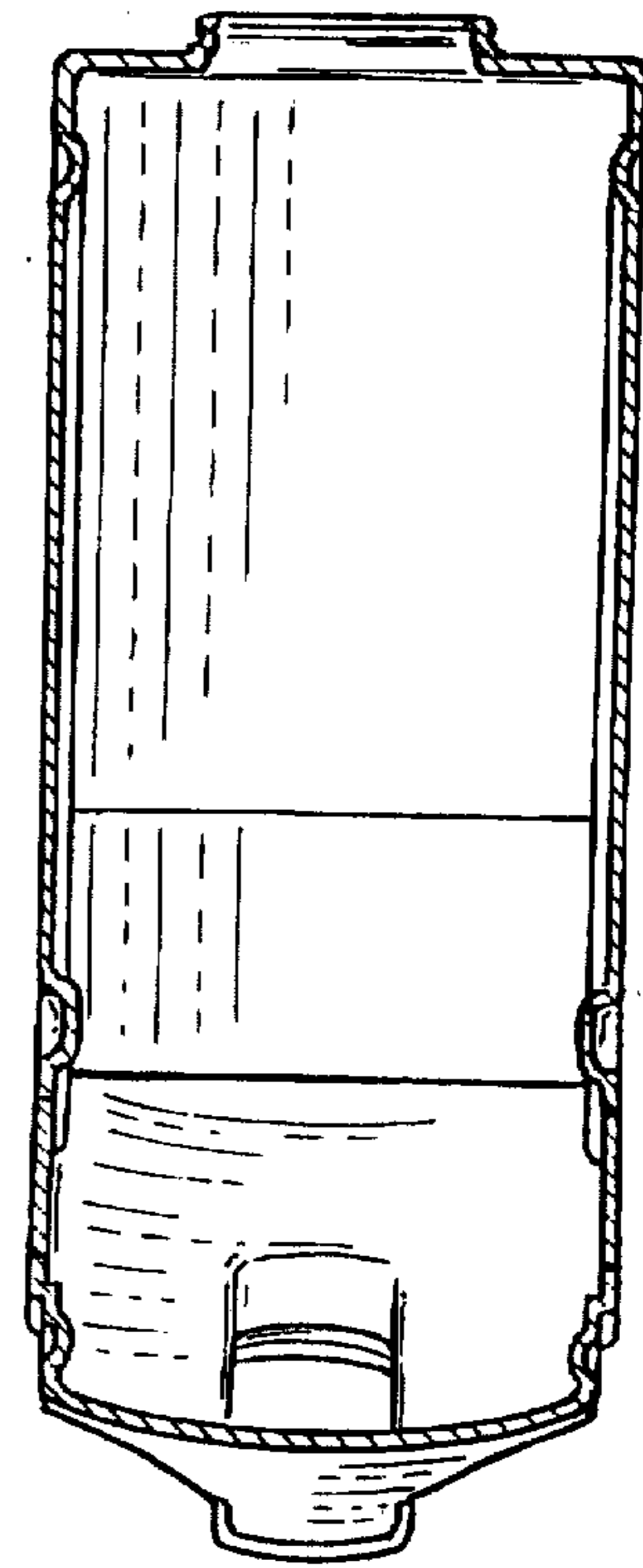


FIG. 29

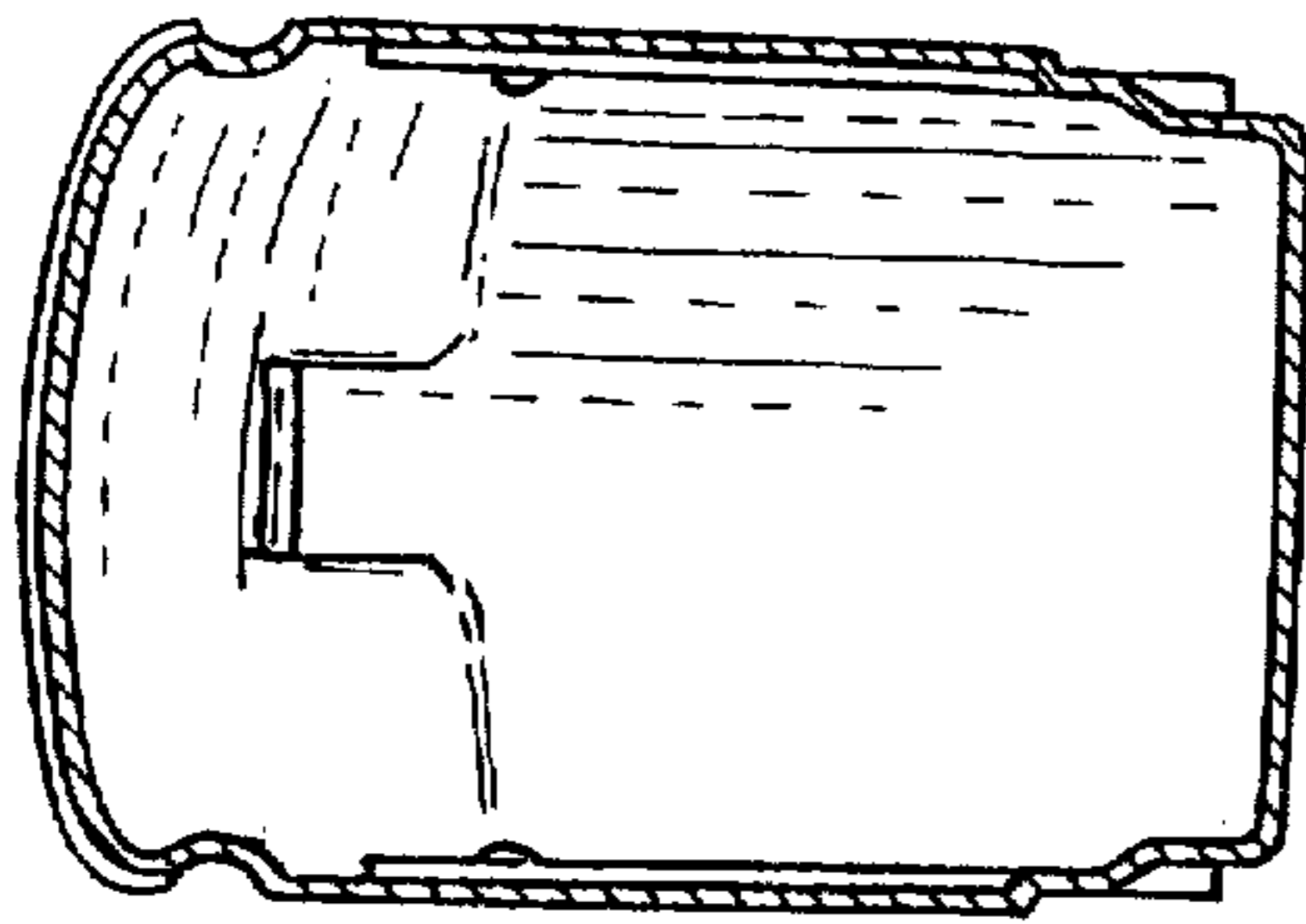


FIG. 28

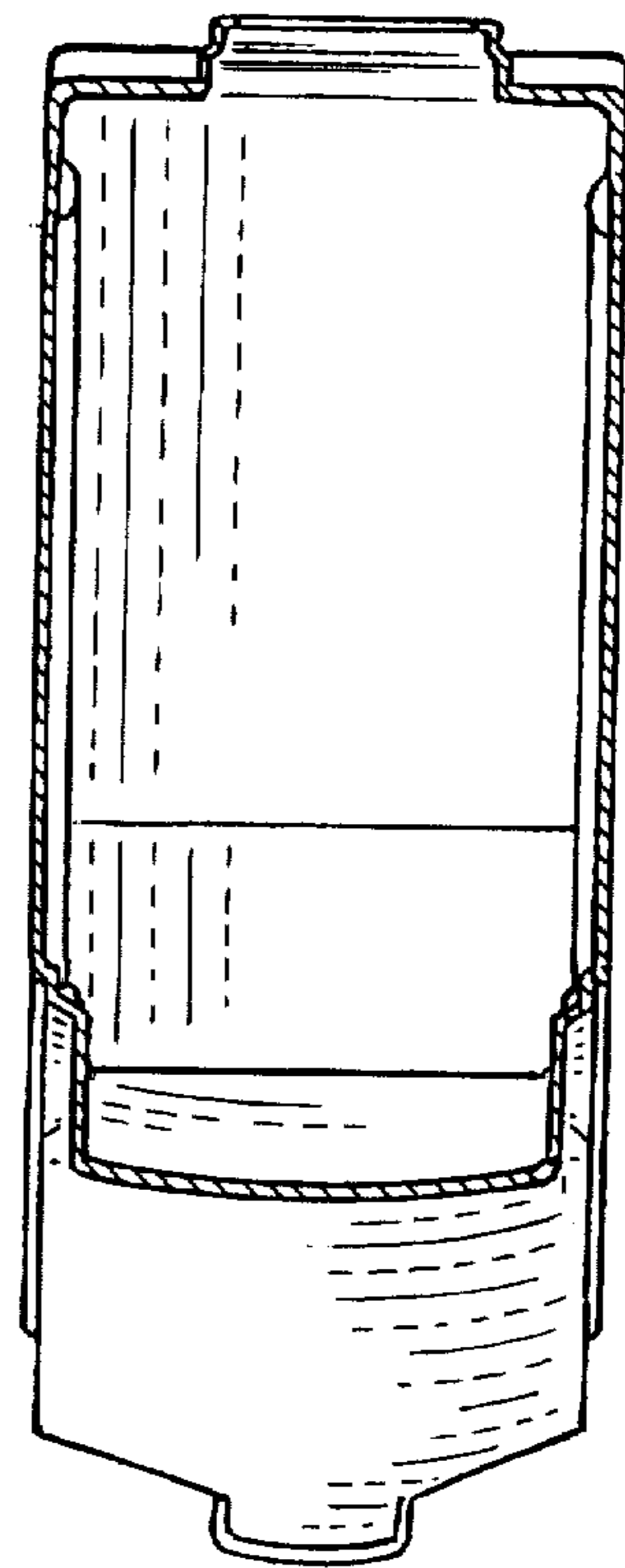


FIG. 30