



US00D469657S

(12) **United States Design Patent**
Becker et al.

(10) **Patent No.:** **US D469,657 S**

(45) **Date of Patent:** **** Feb. 4, 2003**

(54) **CONTROL PANEL AND DOOR VENT/
HANDLE ASSEMBLY FOR A COOKING
APPLIANCE**

(75) Inventors: **Theodore A. Becker**, Cleveland, TN
(US); **Jeffrey Ensley**, Cleveland, TN
(US); **James Coty McFarland**,
Cleveland, TN (US); **Inho Andy Shin**,
Cleveland, TN (US); **Jeffrey Ware**,
Chattanooga, TN (US); **Jerry Woodby**,
Cleveland, TN (US)

(73) Assignee: **Maytag Corporation**, Newton, IA (US)

(**) Term: **14 Years**

(21) Appl. No.: **29/155,561**

(22) Filed: **Feb. 14, 2002**

(51) **LOC (7) Cl.** **07-02**

(52) **U.S. Cl.** **D7/405**

(58) **Field of Search** D7/405, 349, 339,
D7/340, 346, 348, 341; 126/1 R, 190, 198,
200, 273 A, 273 R; 219/214, 443.1, 444.1,
448.11, 460.1; D8/313

(56) **References Cited**

U.S. PATENT DOCUMENTS

D150,349 S	*	7/1948	Ferar	D7/340
D349,004 S	*	7/1994	Ivanovich	D7/402
D369,514 S		5/1996	Baldwin	D7/406
D399,390 S		10/1998	Baldwin	D7/405
D405,311 S	*	2/1999	Holbrook, Jr.	D7/340

D423,287 S		4/2000	Marchand	D7/405
D424,862 S	*	5/2000	Holbrook	D7/349
D424,873 S		5/2000	Holbrook	D7/402
D428,304 S		7/2000	Holbrook	D7/405
D429,953 S		8/2000	Orzel et al.	D7/405
D443,178 S	*	6/2001	Segers	D7/405

* cited by examiner

Primary Examiner—Catherine R. Oliver
(74) *Attorney, Agent, or Firm*—Diederiks & Whitelaw,
PLC

(57) **CLAIM**

The ornamental design for a control panel and door vent/
handle assembly for a cooking appliance, as shown and
described.

DESCRIPTION

FIG. 1 is a top right perspective view of a cooking appliance
showing our new control panel and door vent/handle design;
FIG. 2 is a front elevational view of the cooking appliance
of FIG. 1 incorporating the control panel and door vent/
handle assembly of the invention;
FIG. 3 is a top plan view of the invention; and,
FIG. 4 is a right side elevational view of the cooking
appliance of FIG. 1, with the left side elevational view being
a mirror image thereof.

The broken lines showing gas burner heads, burner control
knobs, grates, rear surface vent, control panel details, and
lower front storage drawer are for illustrative purposes only
and form no part of the claimed invention.

1 Claim, 4 Drawing Sheets

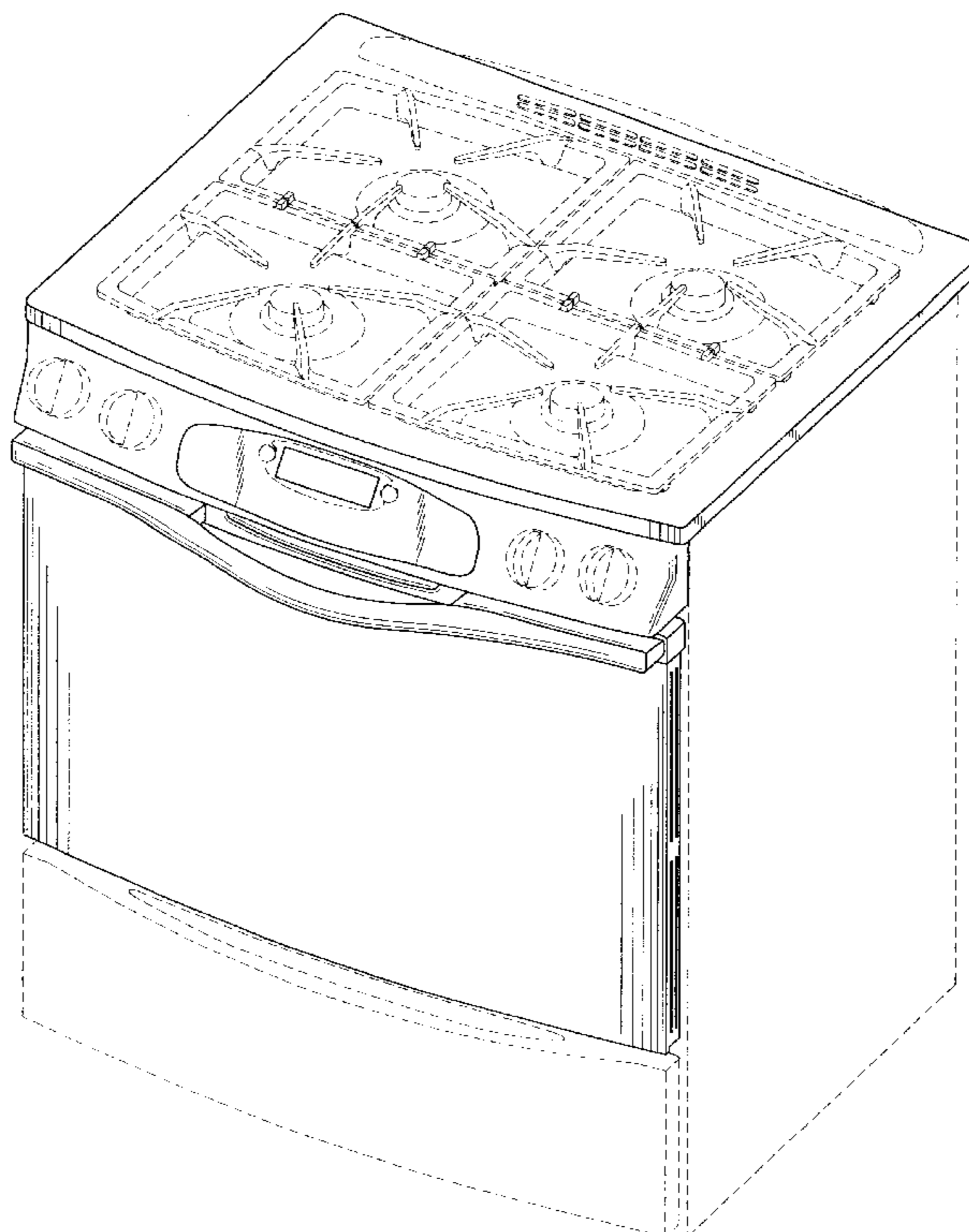


FIG. 1

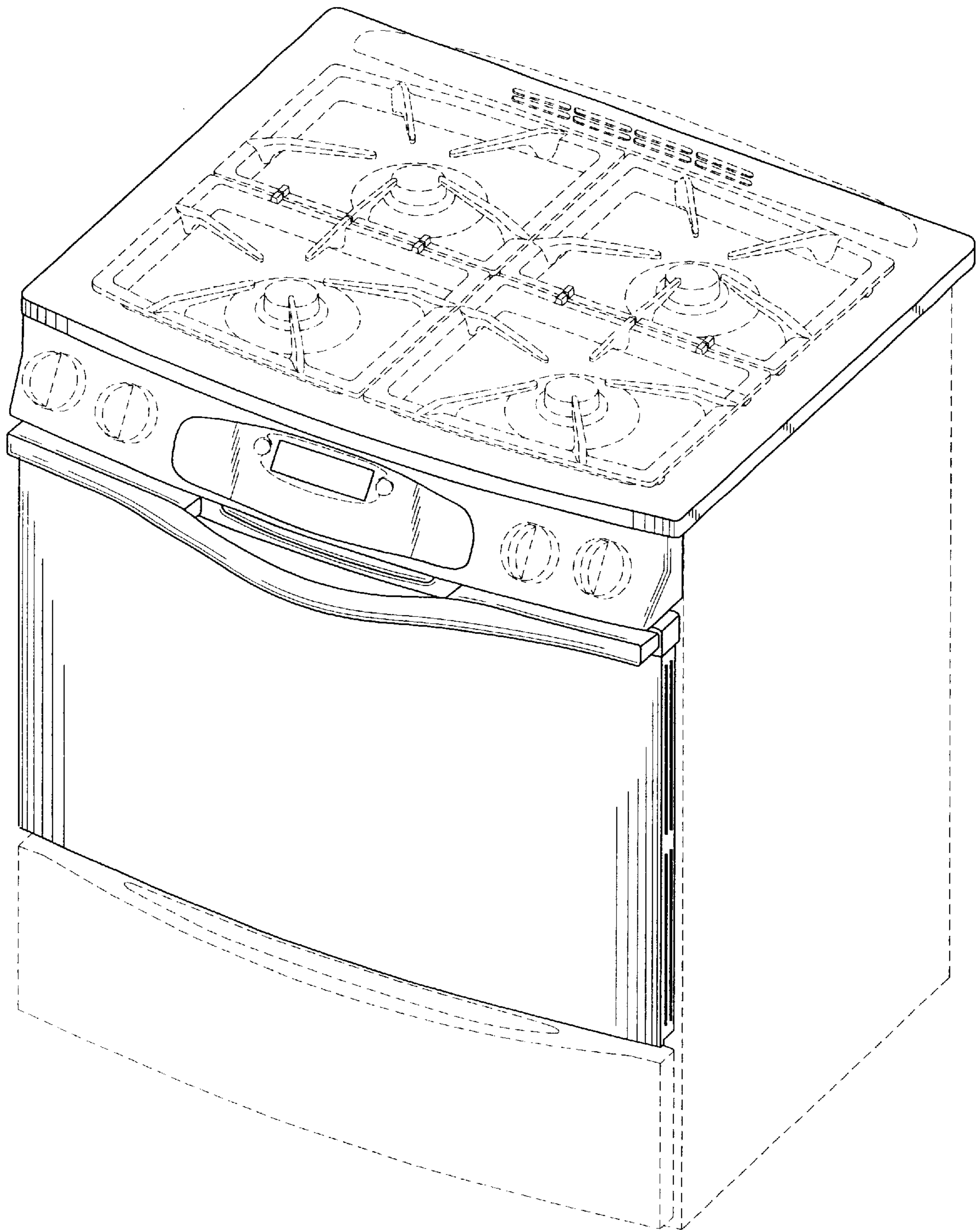


FIG. 2

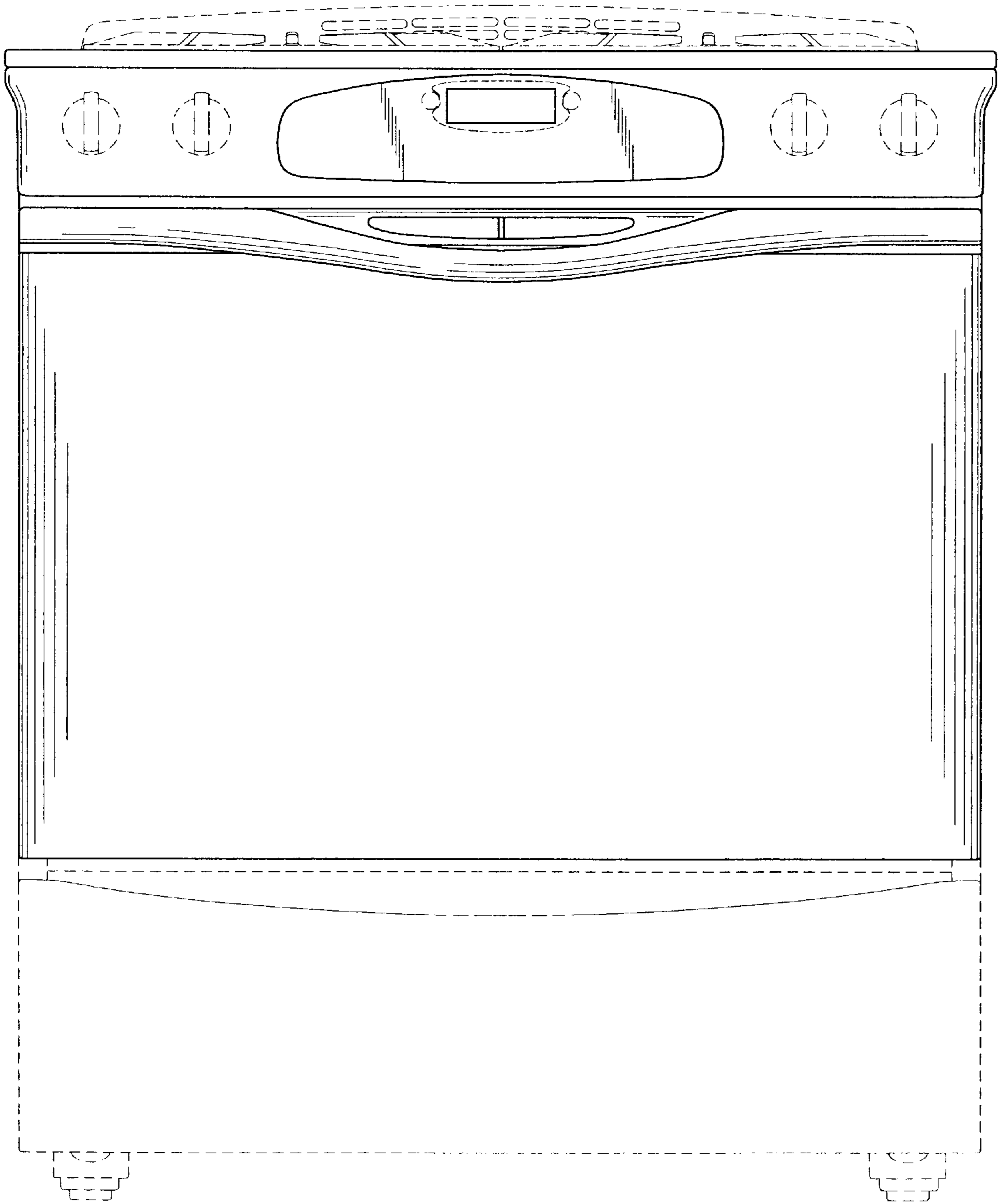


FIG. 3

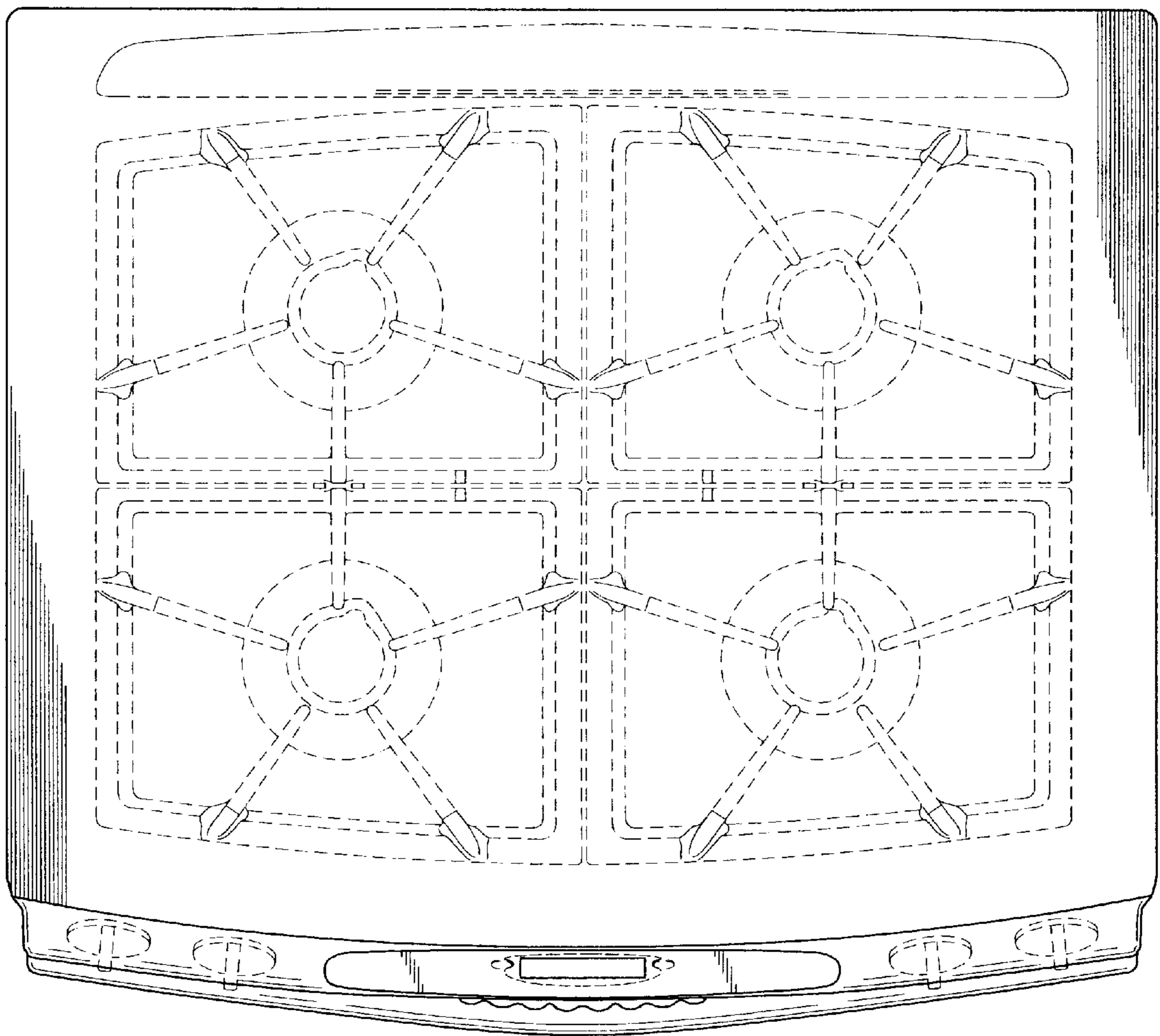


FIG. 4

