



US00D469654S

(12) **United States Design Patent**  
**Cooper et al.**

(10) **Patent No.:** **US D469,654 S**

(45) **Date of Patent:** **\*\* Feb. 4, 2003**

(54) **COOKIE PAN**

(75) Inventors: **John F. Cooper**, Barrington, IL (US);  
**Mila Gesyuk**, Skokie, IL (US)

(73) Assignee: **C.M. Products, Inc.**, Lake Zurich, IL (US)

(\*\*) Term: **14 Years**

(21) Appl. No.: **29/158,823**

(22) Filed: **Apr. 10, 2002**

(51) **LOC (7) Cl.** ..... **07-02**

(52) **U.S. Cl.** ..... **D7/360**

(58) **Field of Search** ..... D7/323, 354-361,  
D7/602, 550.1, 551.1, 553.1, 554.1-554.4;  
D32/35; 99/324, 426; 220/573.1-573.4,  
912

(56) **References Cited**

**U.S. PATENT DOCUMENTS**

|            |   |        |                  |       |          |
|------------|---|--------|------------------|-------|----------|
| D71,003 S  | * | 9/1926 | Carlson          | ..... | D32/35   |
| D81,225 S  |   | 5/1930 | Boattenhamer     |       |          |
| D98,317 S  | * | 1/1936 | Guild            | ..... | D7/551.1 |
| D112,178 S |   | 8/1938 | Reinecke et al.  |       |          |
| D176,823 S |   | 1/1956 | Sacia et al.     |       |          |
| D232,293 S |   | 8/1974 | Christian et al. |       |          |
| D269,935 S |   | 8/1983 | Powers           |       |          |
| D310,765 S |   | 9/1990 | Stutzer et al.   |       |          |
| D316,210 S |   | 4/1991 | Giugiaro         |       |          |

|                 |   |         |                     |       |           |
|-----------------|---|---------|---------------------|-------|-----------|
| D325,684 S      | * | 4/1992  | Deare               | ..... | D7/360    |
| D373,053 S      |   | 8/1996  | Allegre             |       |           |
| D384,555 S      |   | 10/1997 | Bradley             |       |           |
| D385,156 S      |   | 10/1997 | Bouldstridge Balari |       |           |
| D417,367 S      | * | 12/1999 | Laib                | ..... | D7/602    |
| D432,355 S      |   | 10/2000 | Bouldstridge        |       |           |
| 2002/0000442 A1 | * | 1/2002  | Howard et al.       | ..... | 220/573.1 |

\* cited by examiner

*Primary Examiner*—Caron D. Veynar

(74) *Attorney, Agent, or Firm*—Cook, Alex, McFarron, Manzo, Cummings & Mehler, Ltd.

(57) **CLAIM**

The ornamental design for a cookie pan, as shown and described.

**DESCRIPTION**

FIG. 1 is a perspective view showing the upper surface of the cookie pan according to the present invention.

FIG. 2 is a front elevational view of the cookie pan, the rear elevation view is a mirror image thereof;

FIG. 3 is a side elevational view of the cookie pan, the opposite side view is a mirror image thereof;

FIG. 4 is a top plan view of the cookie pan of FIG. 1.

FIG. 5 is a bottom plan view of the cookie pan of FIG. 1; and,

FIG. 6 is a cross-sectional view of the cookie pan of FIG. 1 taken along line 6—6 of FIG. 4.

**1 Claim, 2 Drawing Sheets**

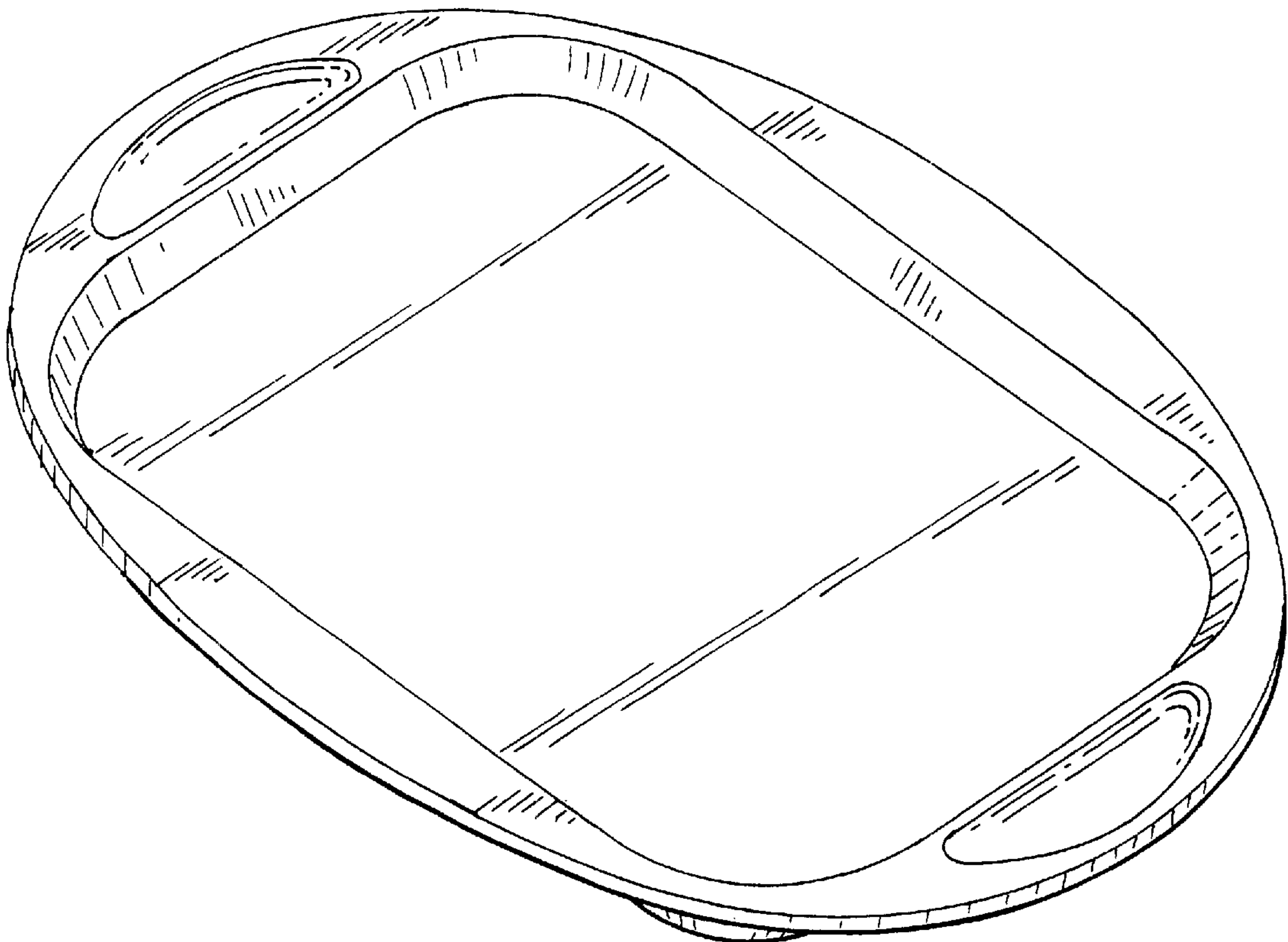


FIG. 1

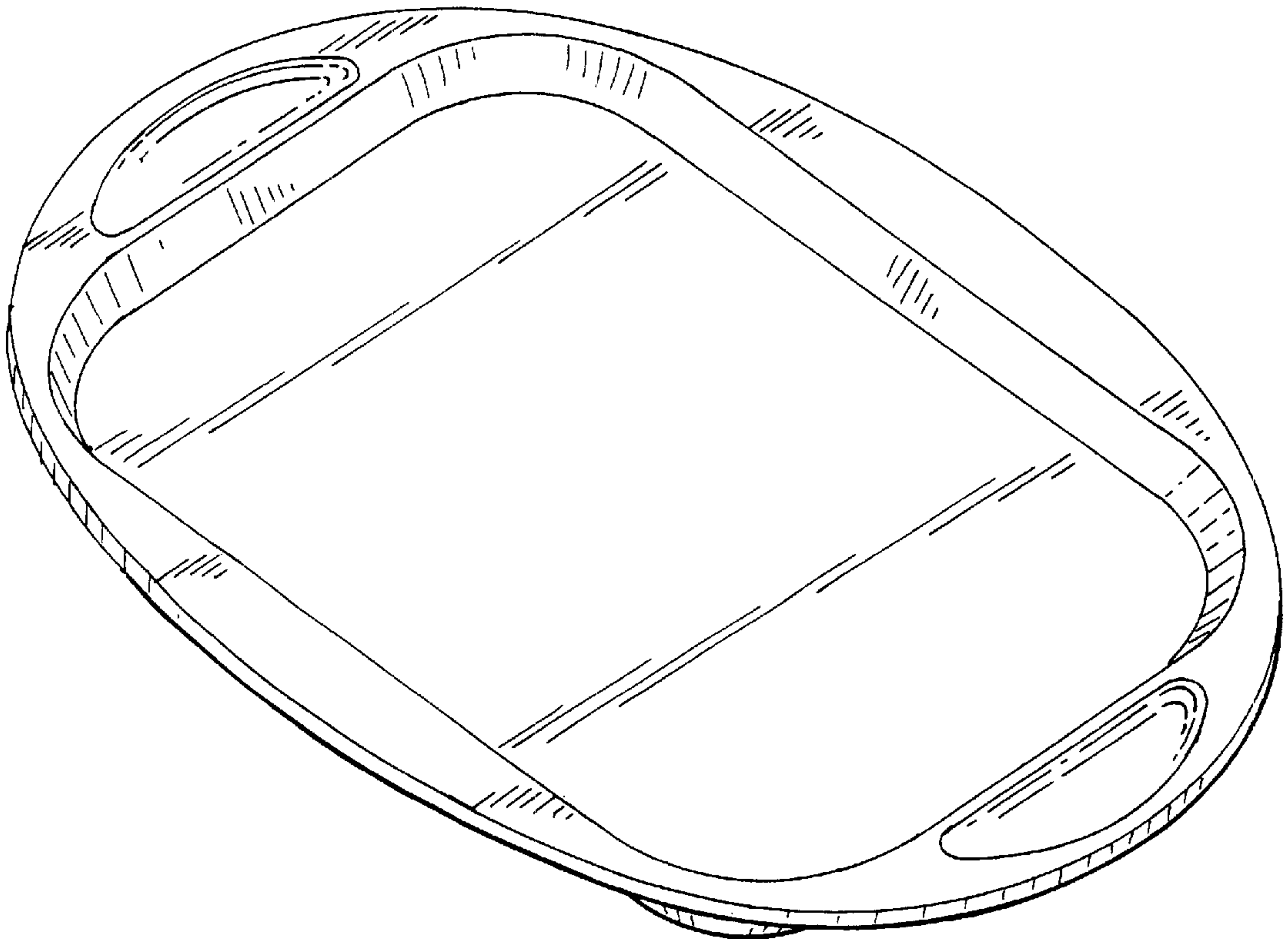


FIG. 2

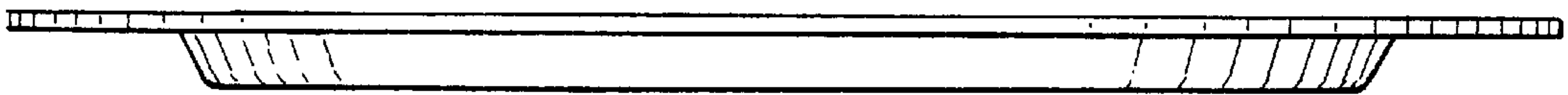


FIG. 3

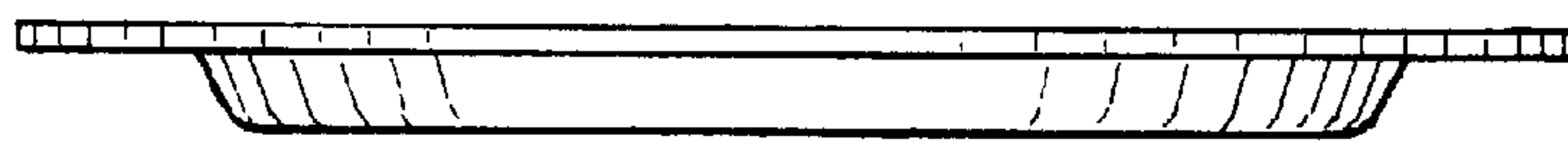


FIG. 4

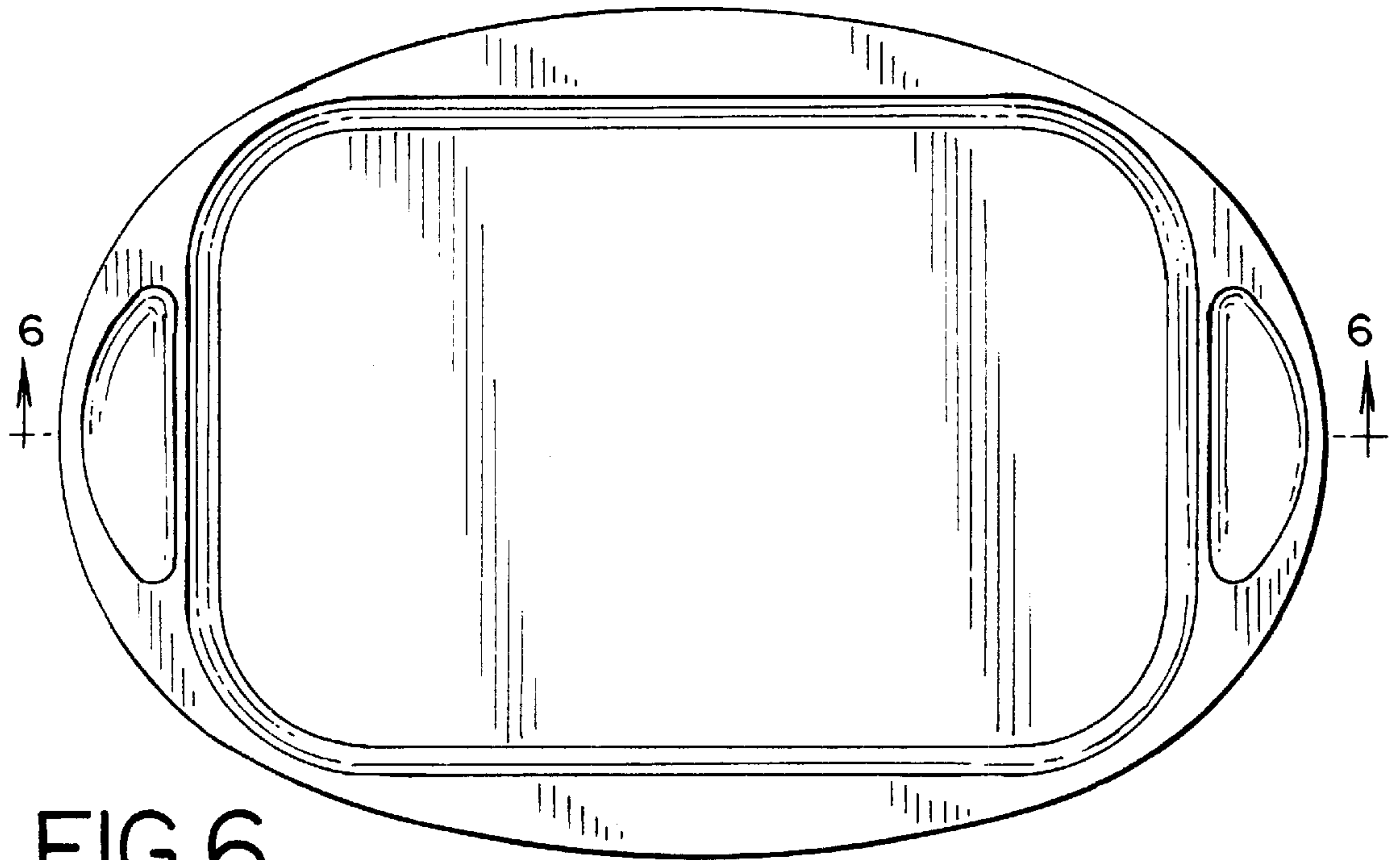


FIG. 6



FIG. 5

