

US00D469651S

(12) **United States Design Patent**
Samaras

(10) **Patent No.:** **US D469,651 S**

(45) **Date of Patent:** **** Feb. 4, 2003**

(54) **GRILL**

(76) Inventor: **George Samaras**, 3801 Beya Way,
Doraville, GA (US) 30340

(**) Term: **14 Years**

(21) Appl. No.: **29/154,806**

(22) Filed: **Jan. 15, 2002**

(51) **LOC (7) Cl.** **07-02**

(52) **U.S. Cl.** **D7/337**

(58) **Field of Search** D7/332-338, 402-404,
D7/407-409; 126/25 R, 9 R, 41 R, 38,
40, 50; 99/422, 425, 444

(56) **References Cited**

U.S. PATENT DOCUMENTS

D201,416 S	*	6/1965	Sazegar	D7/337
D201,937 S	*	8/1965	Johnson	D7/337
D209,491 S	*	12/1967	Kostial	D7/332
D219,693 S	*	1/1971	Hahn	D7/337
D341,988 S	*	12/1993	Endres	D7/337
D402,499 S	*	12/1998	Carroll	D7/332
D420,243 S	*	2/2000	Samaras	D7/332
D444,663 S		7/2001	Samaras	D7/337
D444,990 S		7/2001	Samaras	D7/337

OTHER PUBLICATIONS

Big Green Egg, Atlanta, GA, 1996, brochure.
Grill Dome, Doraville, GA, brochure (more than 5 years
before filing date of this application).

* cited by examiner

Primary Examiner—Ruth McInroy

(74) *Attorney, Agent, or Firm*—Baker, Donelson, Bearman
& Caldwell

(57) **CLAIM**

The ornamental design for a grill, as shown and described.

DESCRIPTION

FIG. 1 is a perspective view of a grill showing my new
design.

FIG. 2 is a right side view of the grill shown in FIG. 1, the
left side view being a mirror image thereof;

FIG. 3 is a top view of the grill shown in FIG. 1;

FIG. 4 is a bottom view of the grill shown in FIG. 1;

FIG. 5 is a front view of the grill shown in FIG. 1; and,

FIG. 6 is a rear view of the grill shown in FIG. 1.

The broken lines in the views shows environmental features
which are for illustrative purposes only and form no part of
the claimed design.

1 Claim, 3 Drawing Sheets

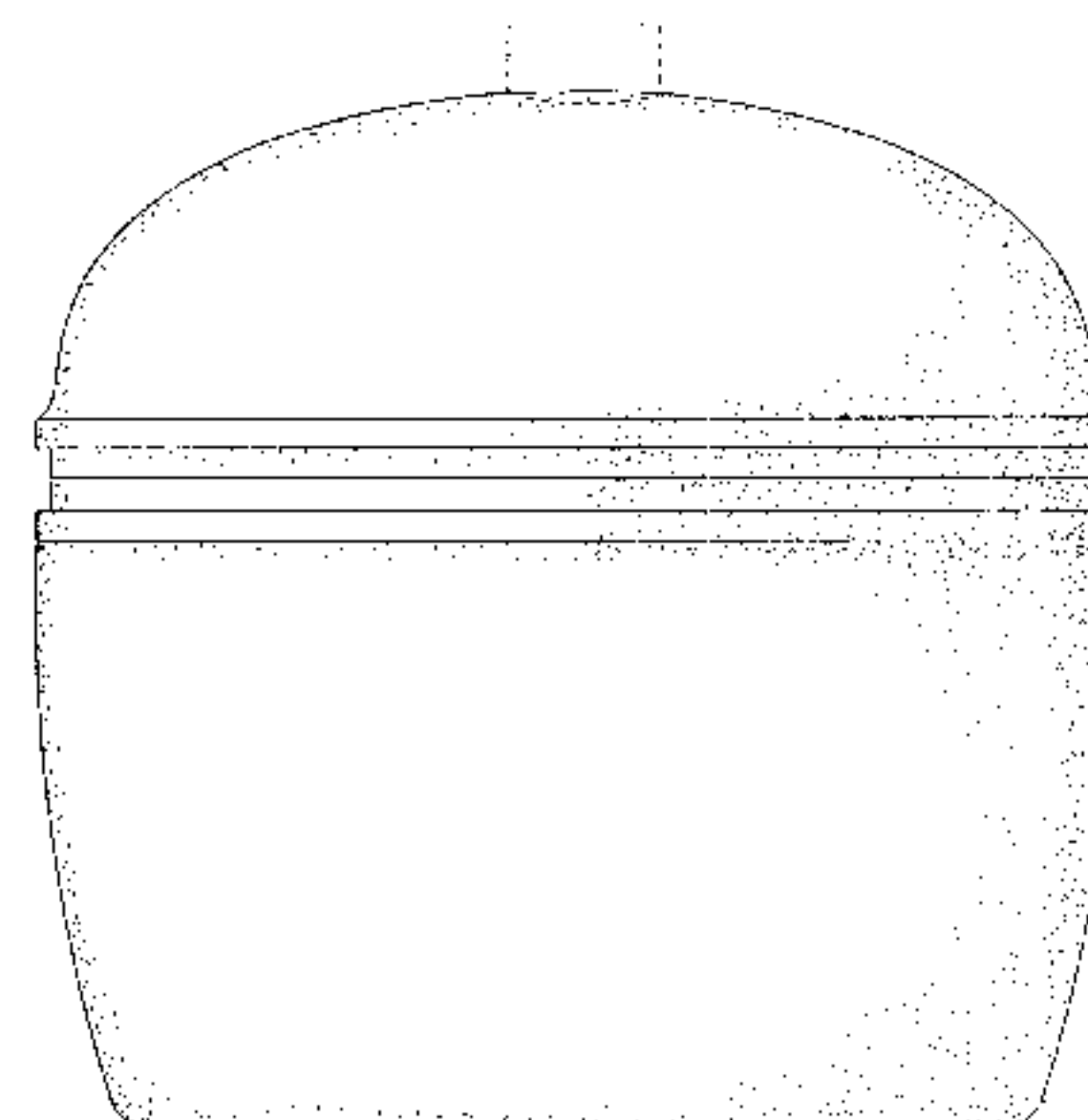
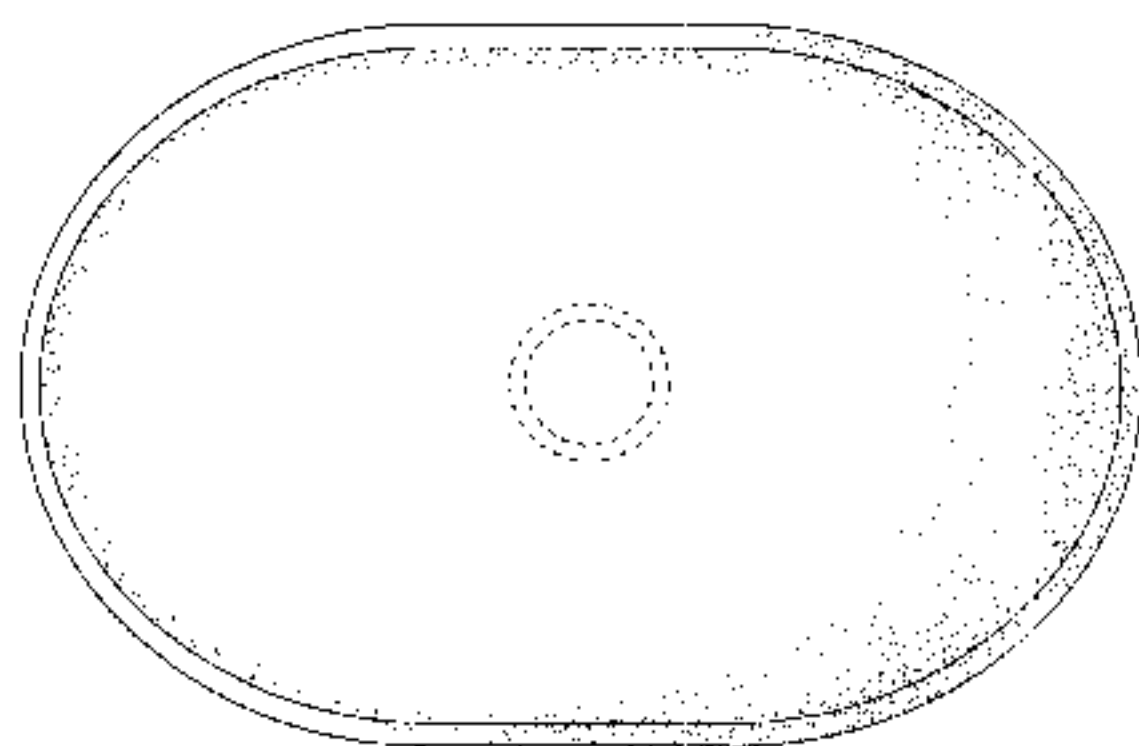
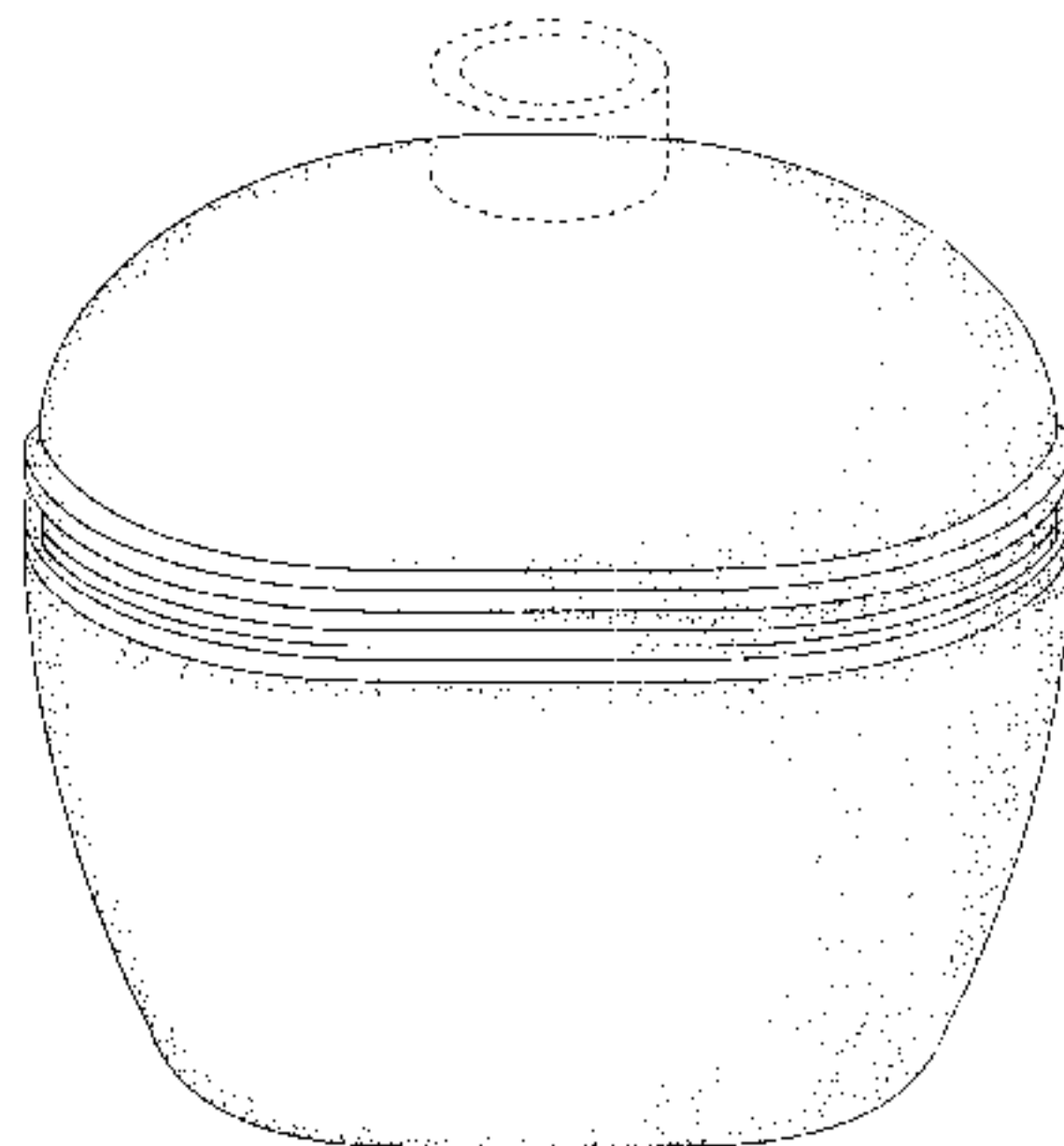


Fig. 1

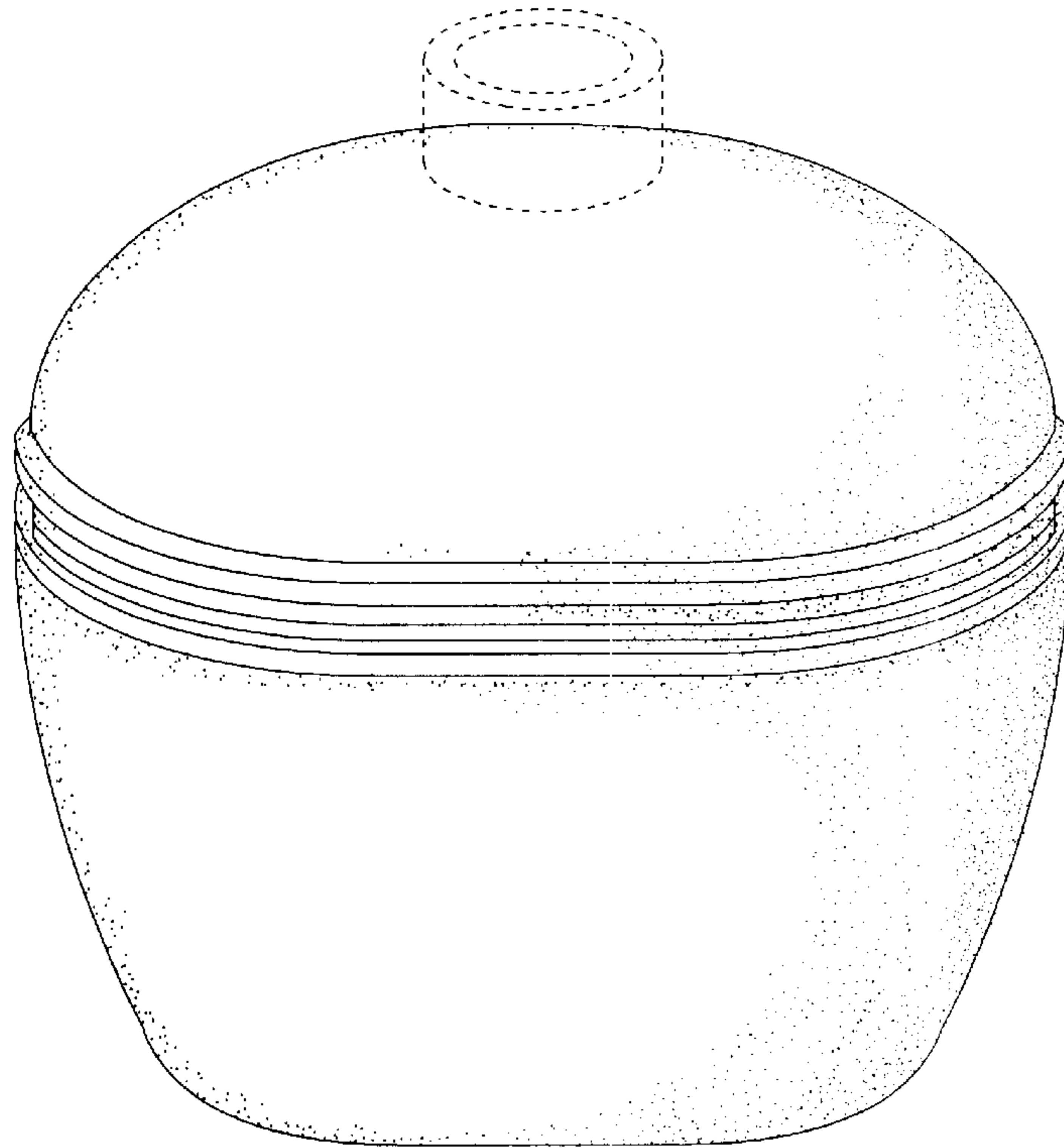


Fig. 2

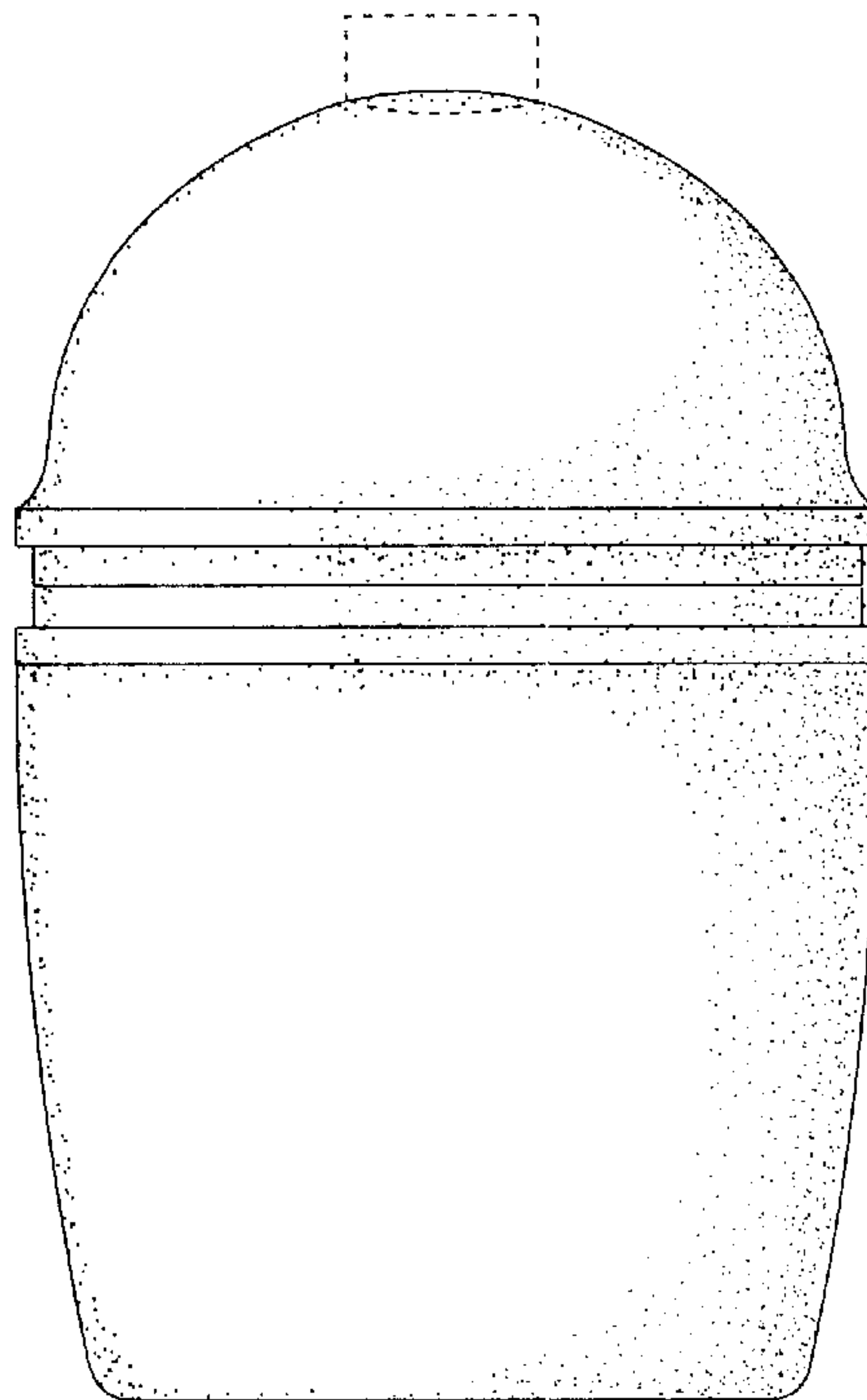


Fig. 3

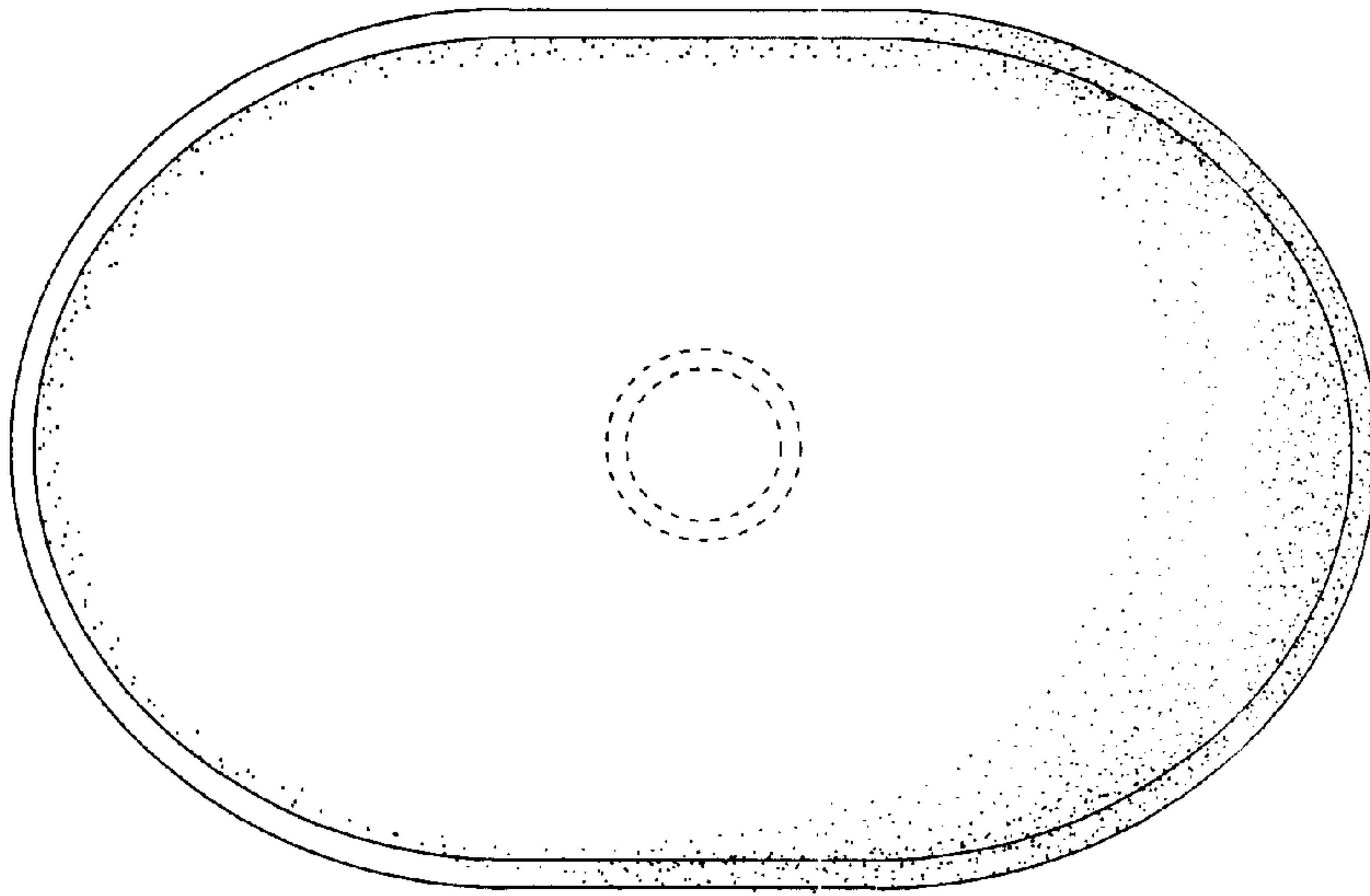


Fig. 4

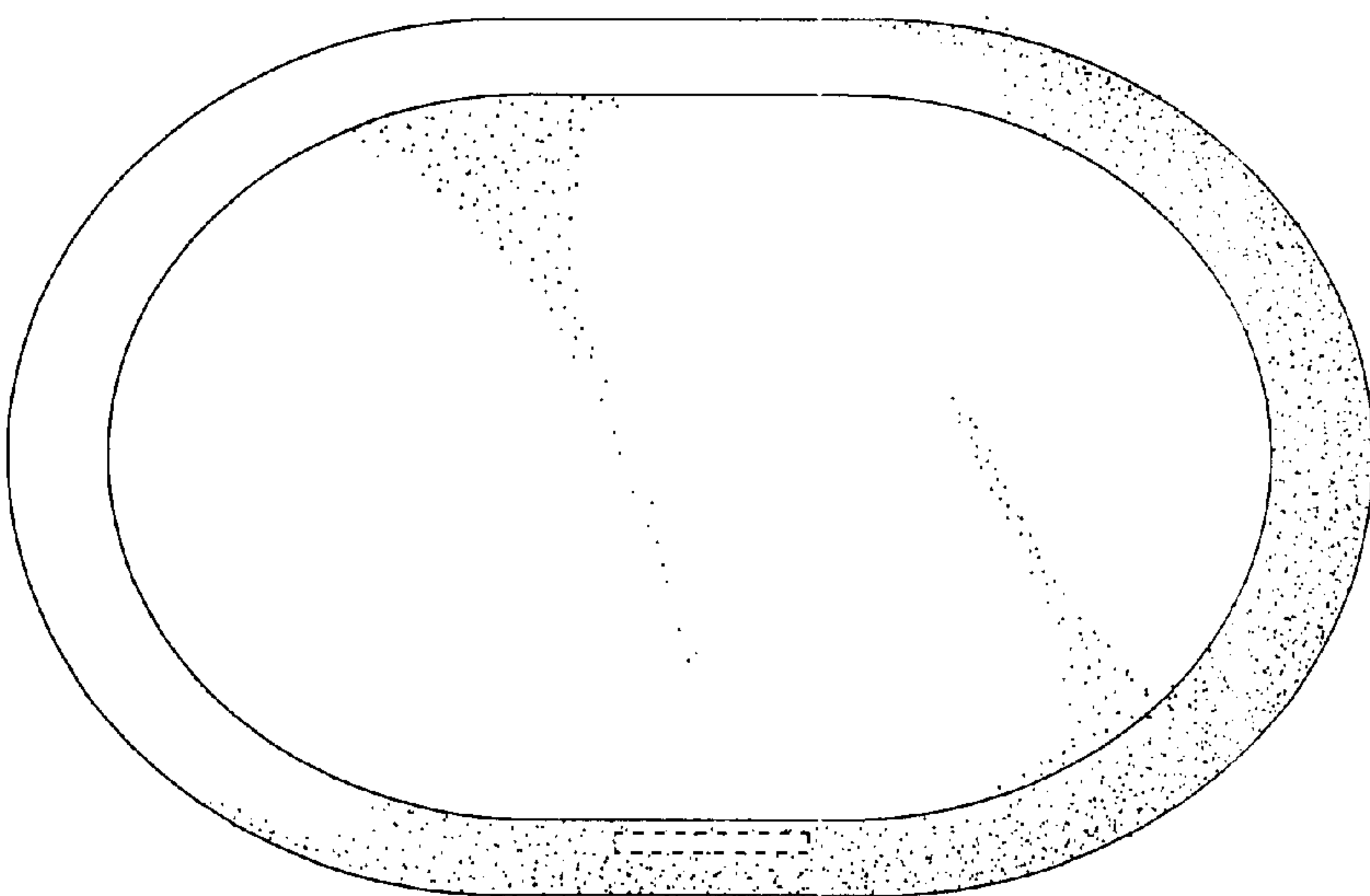


Fig. 5

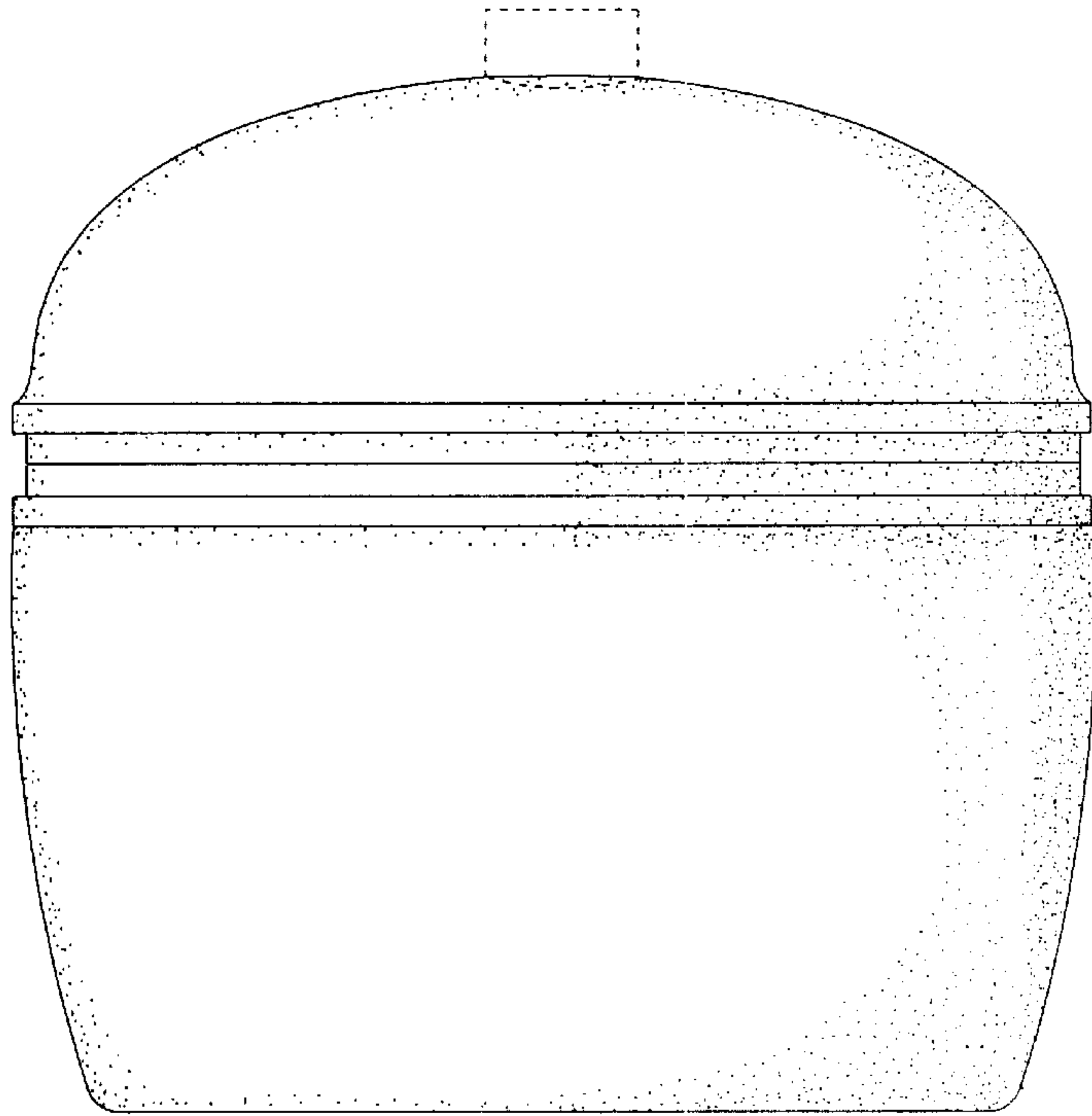


Fig. 6

