



US00D469647S

(12) **United States Design Patent**
Howard

(10) **Patent No.:** **US D469,647 S**

(45) **Date of Patent:** **** Feb. 4, 2003**

(54) **SCALLOPED KEY TAG RACK**

(76) Inventor: **Raymond W. Howard**, 1133 First St.,
#319, Coronado, CA (US) 92118-1479

(**) Term: **14 Years**

(21) Appl. No.: **29/163,165**

(22) Filed: **Jun. 27, 2002**

(51) **LOC (7) Cl.** **06-04**

(52) **U.S. Cl.** **D6/569**

(58) **Field of Search** D6/553, 567, 569,
D6/570, 571, 572, 568; D8/345, 363, 367,
370, 371, 380; 206/349; 211/13.1, 85.9;
248/309.1

(56) **References Cited**

U.S. PATENT DOCUMENTS

2,889,050	A	*	6/1959	Modrey	211/85.9
4,326,761	A	*	4/1982	Schwartz	211/13.1 X
D294,791	S	*	3/1988	Loscalzo et al.	D6/569
D294,792	S	*	3/1988	Zimmerman	D6/569
4,771,897	A	*	9/1988	Ho	211/85.9
D331,855	S	*	12/1992	Kaplan	D6/512
D370,816	S	*	6/1996	Hofman et al.	D6/568
D444,377	S	*	7/2001	Harvey	D8/371
D459,130	S	*	6/2002	Annan	D6/553

* cited by examiner

Primary Examiner—Brian N. Vinson

(74) *Attorney, Agent, or Firm*—John J. Murphey

(57) **CLAIM**

The ornamental design of a scalloped key tag rack, as shown and described.

DESCRIPTION

FIG. 1 is a front perspective view of a six-unit scalloped key tag rack showing my new design;

FIG. 2 is a front elevational view of the design shown in FIG. 1;

FIG. 3 is a left side elevational view thereof with the right side a mirror image thereof;

FIG. 4 is a top plan view of the design shown in FIG. 1;

FIG. 5 is a bottom plan view thereof;

FIG. 6 is a rear elevational view of the design shown in FIG. 1;

FIG. 7 is another embodiment of my invention and shows a front perspective view of a two-unit scalloped key tag rack showing my new design;

FIG. 8 is a front elevational view of the design shown in FIG. 7;

FIG. 9 is a rear elevational view of the design shown in FIG. 7;

FIG. 10 is another embodiment of my invention and shows a front perspective view of a four-unit scalloped key tag rack showing my new design;

FIG. 11 is a front elevational view of the design shown in FIG. 10;

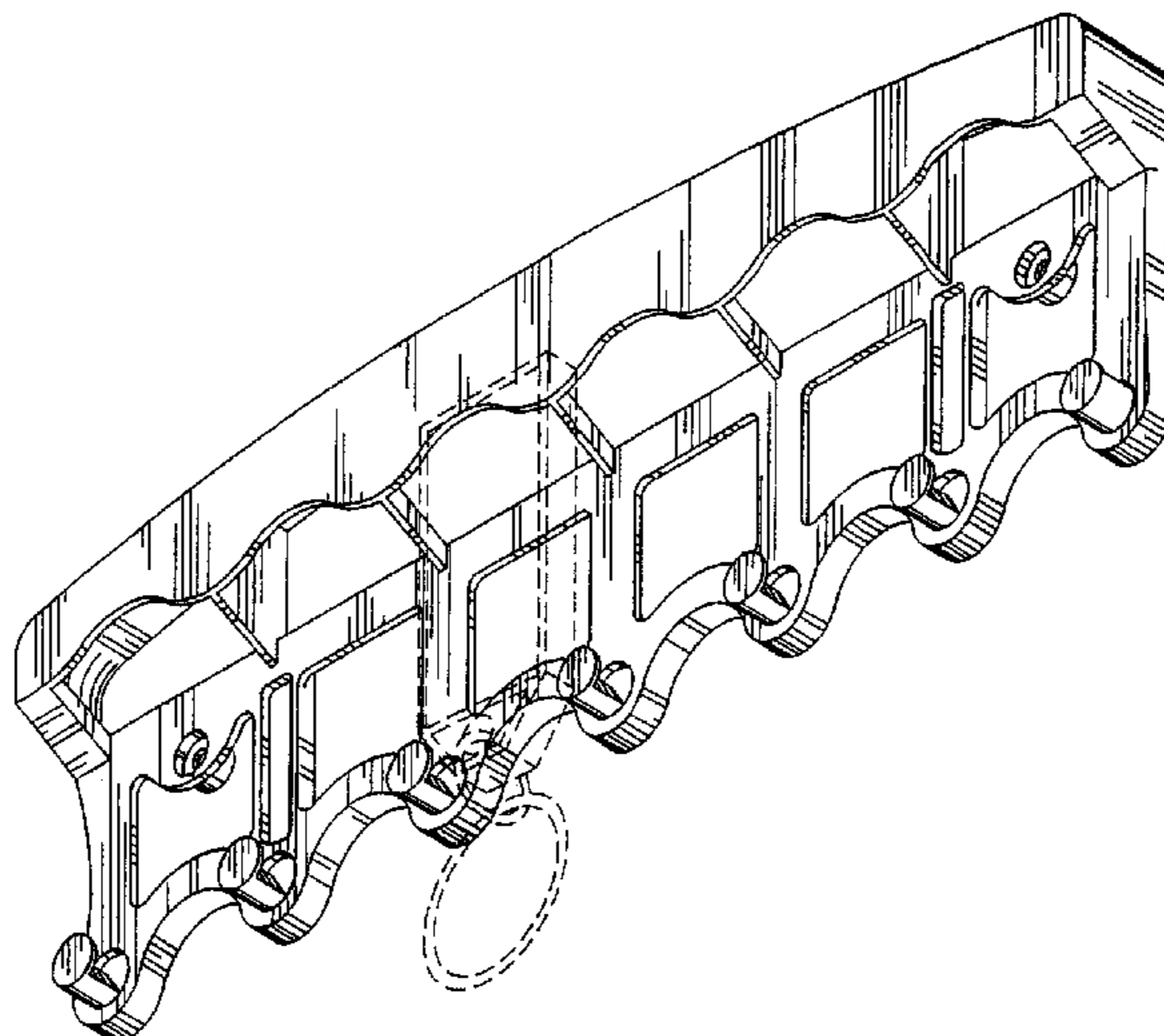
FIG. 12 is a rear elevational view of the design shown in FIG. 10;

FIG. 13 is another embodiment of my invention and shows a front perspective view of a eight-unit scalloped key tag rack showing my new design;

FIG. 14 is a front elevational view of the design shown in FIG. 13; and,

FIG. 15 is a rear elevational view of the design shown in FIG. 13.

1 Claim, 6 Drawing Sheets



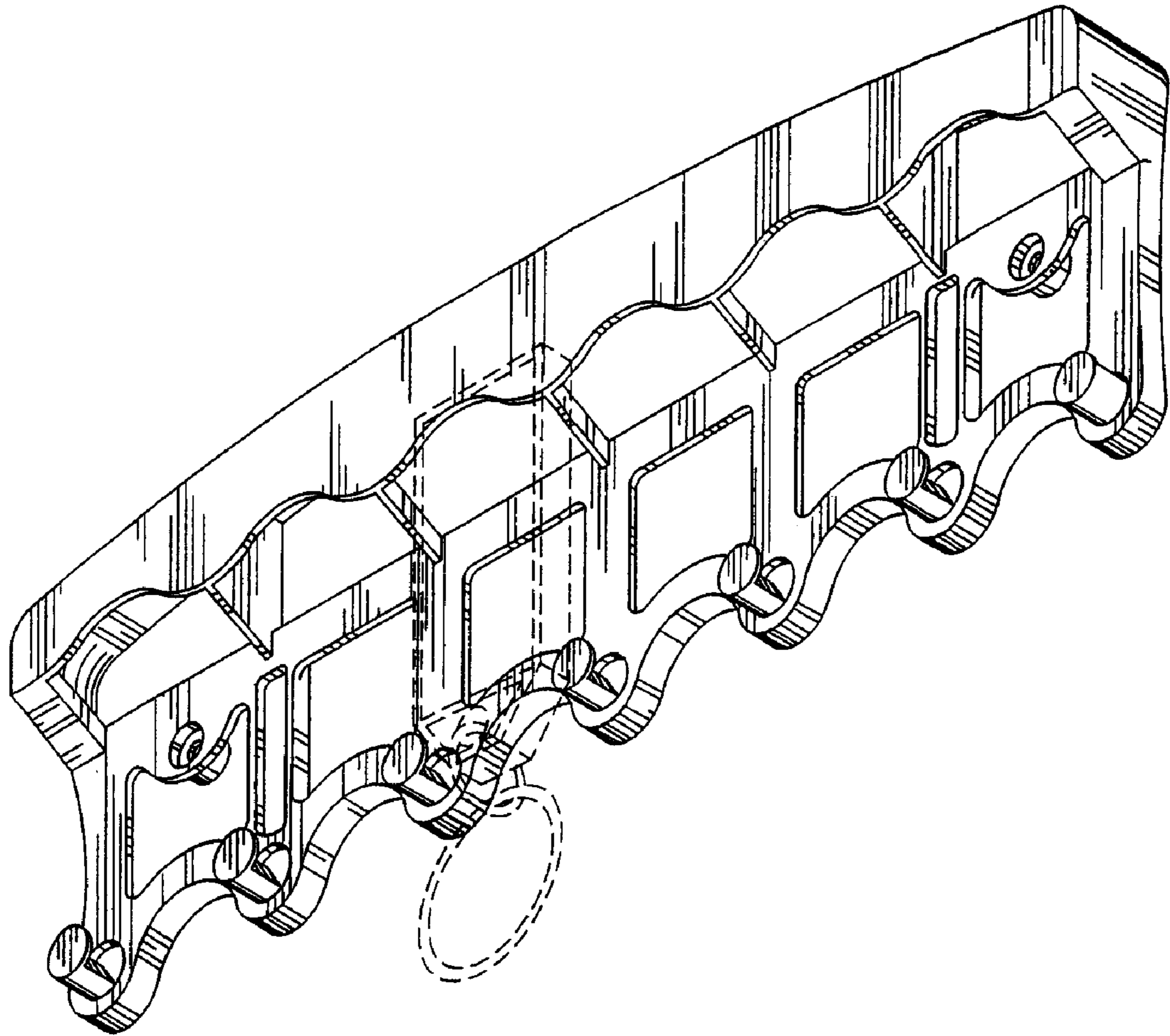


Figure 1

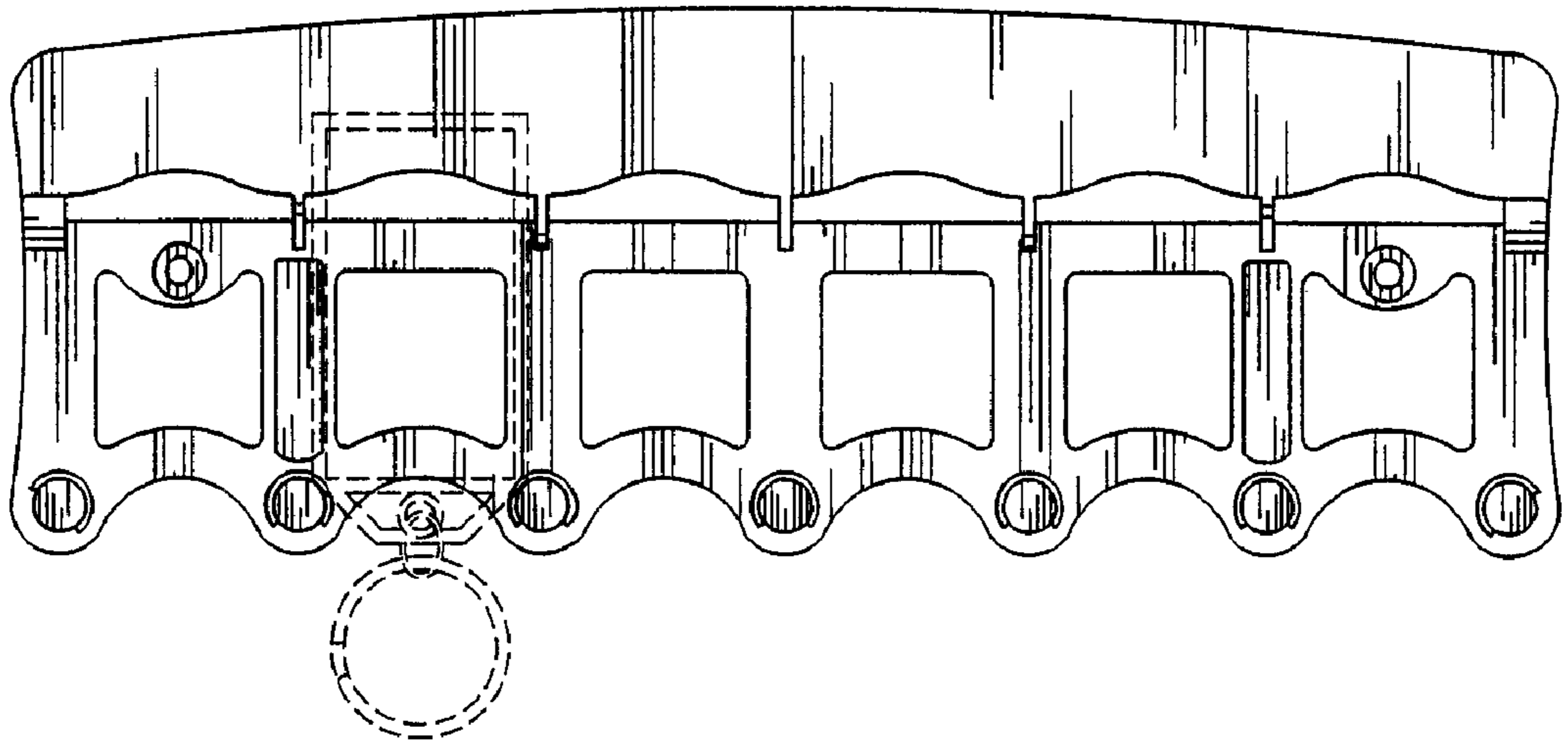


Figure 2



Figure 3



Figure 4



Figure 5

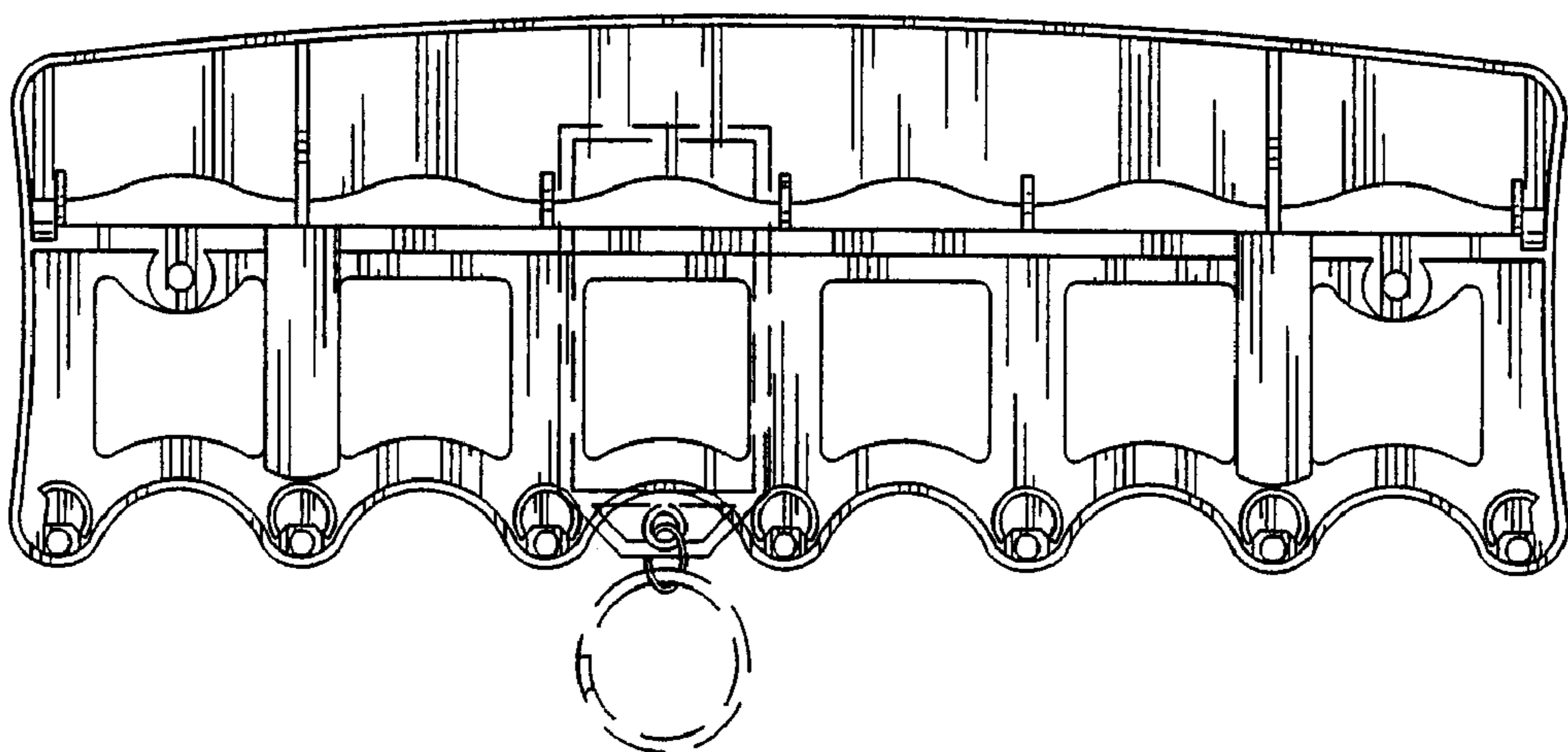


Figure 6

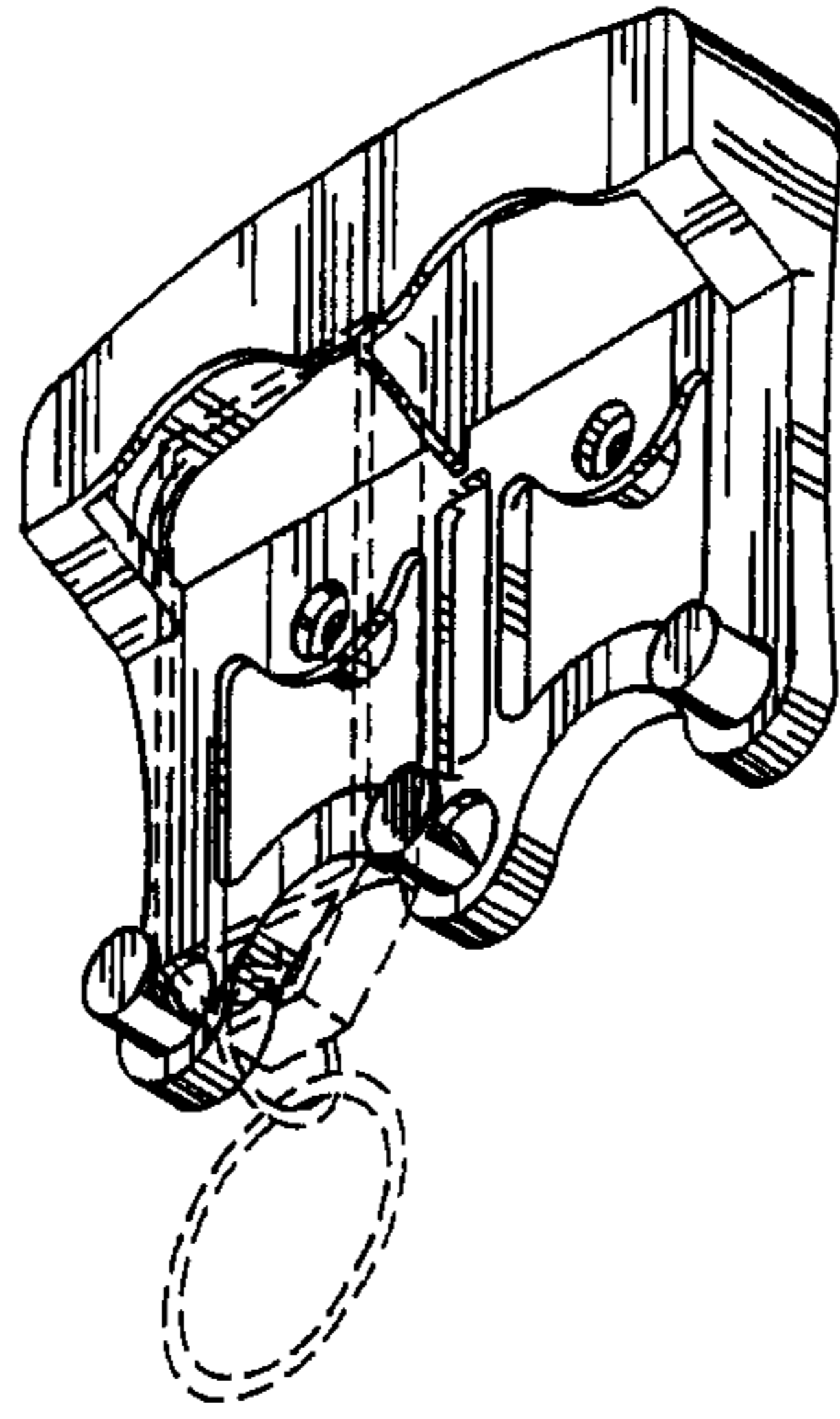


Figure 7

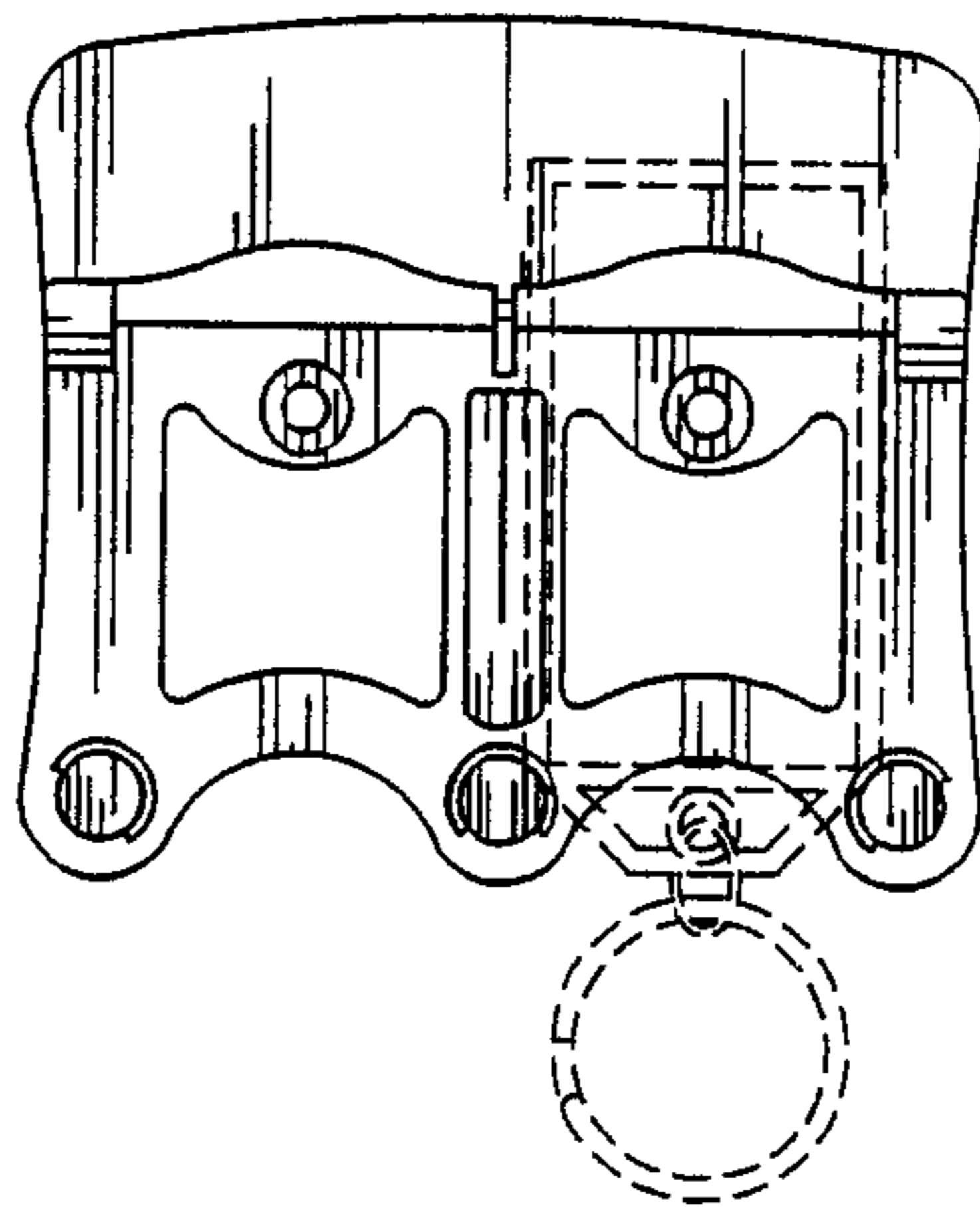


Figure 8

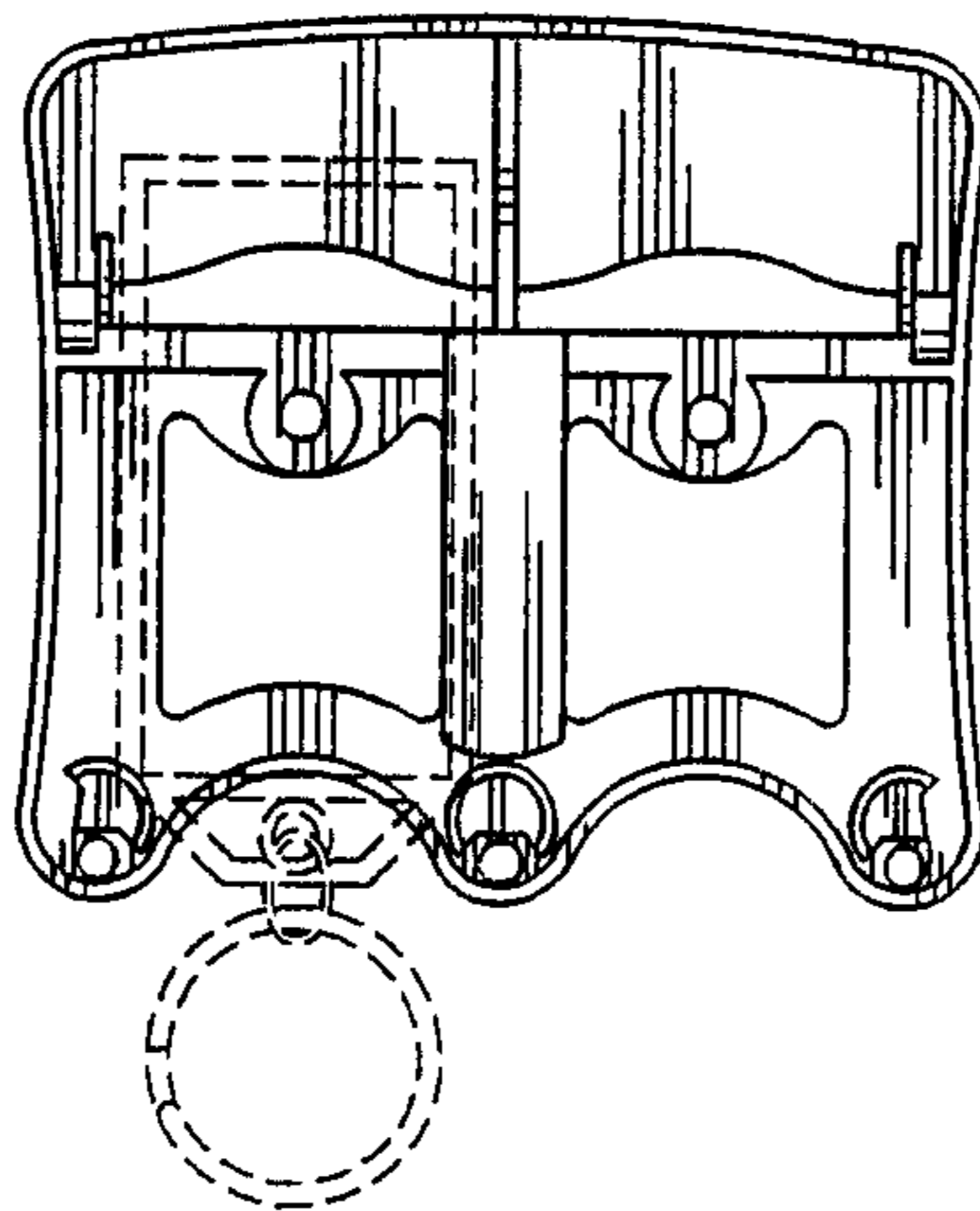


Figure 9

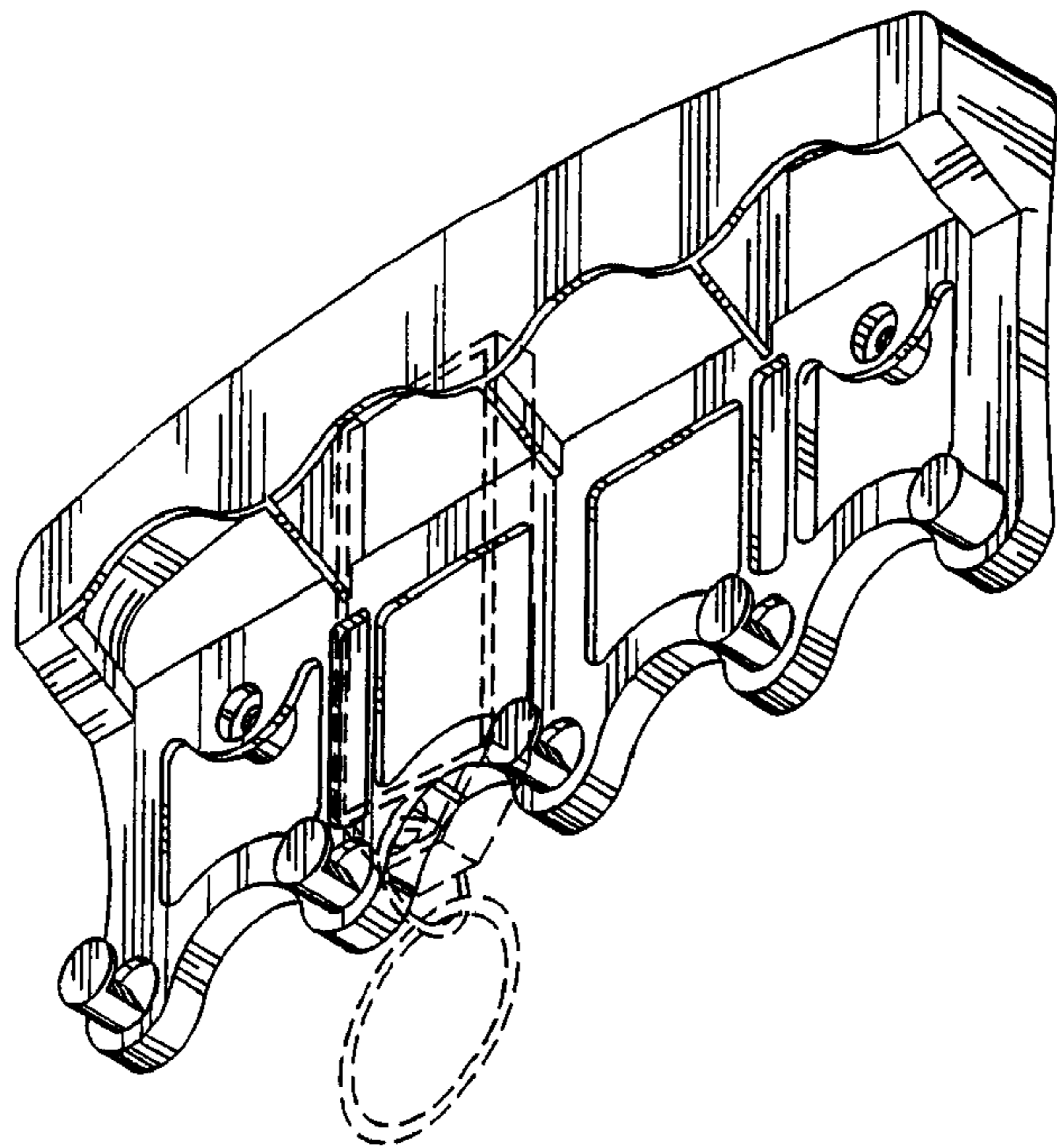


Figure 10

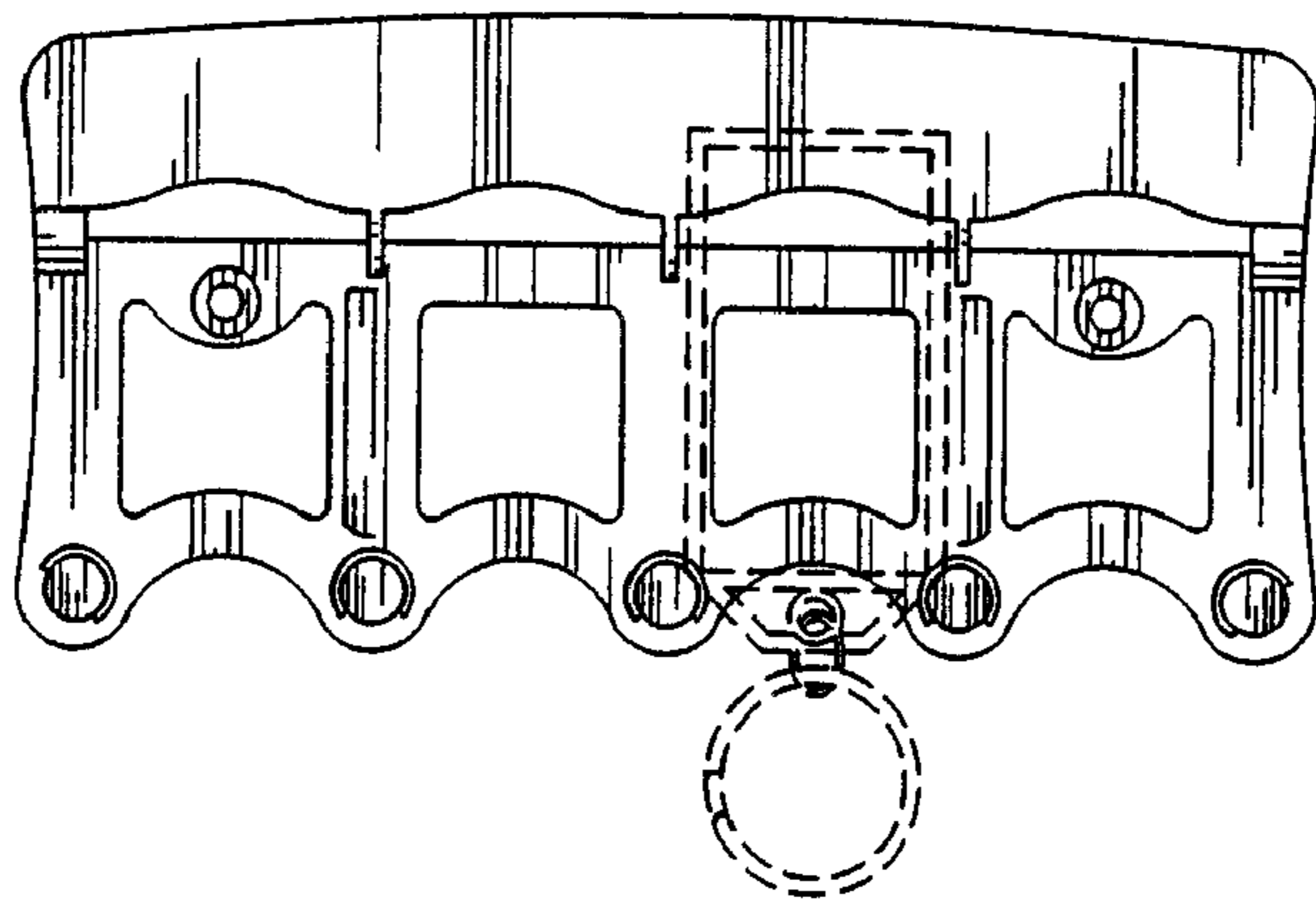


Figure 11

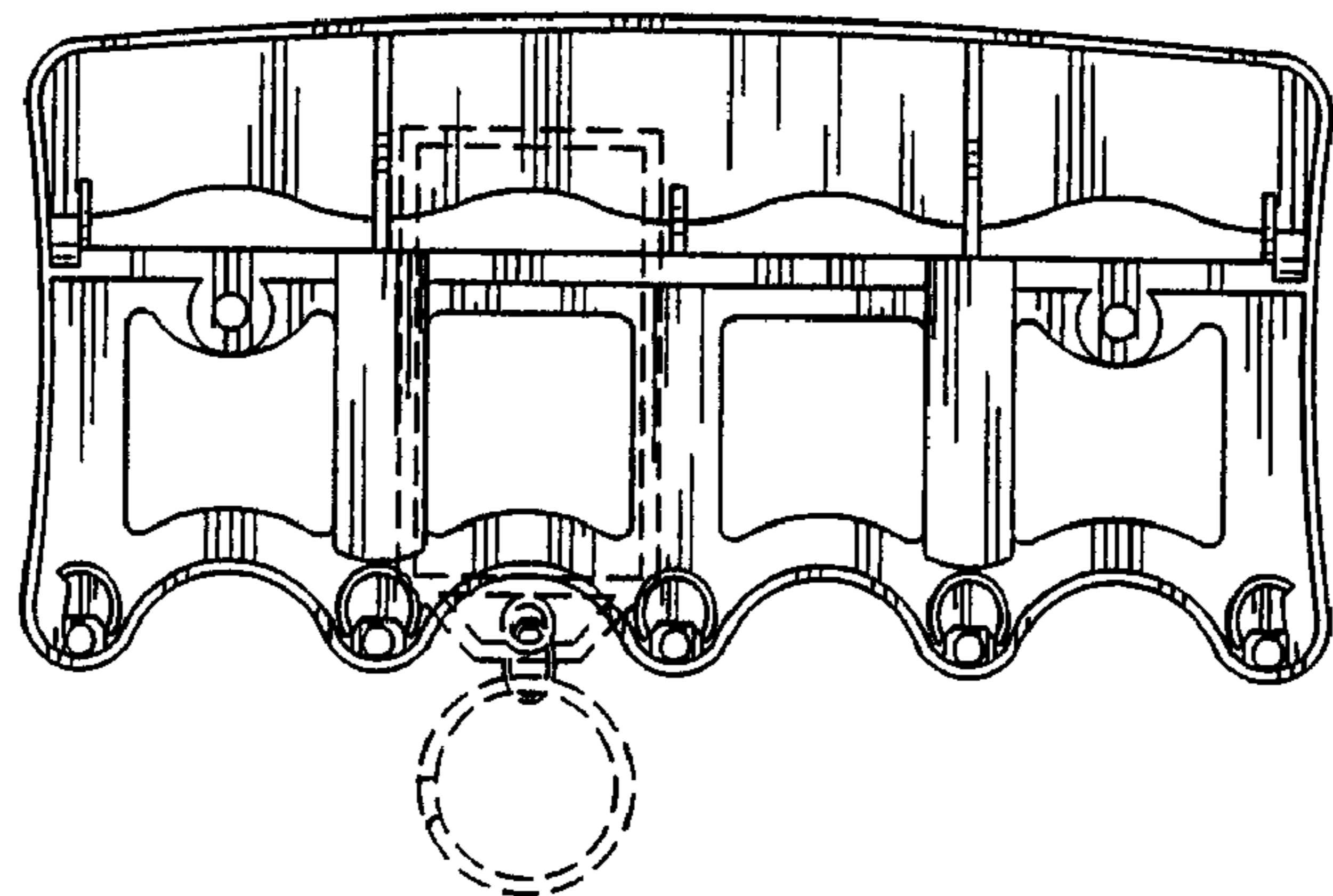


Figure 12

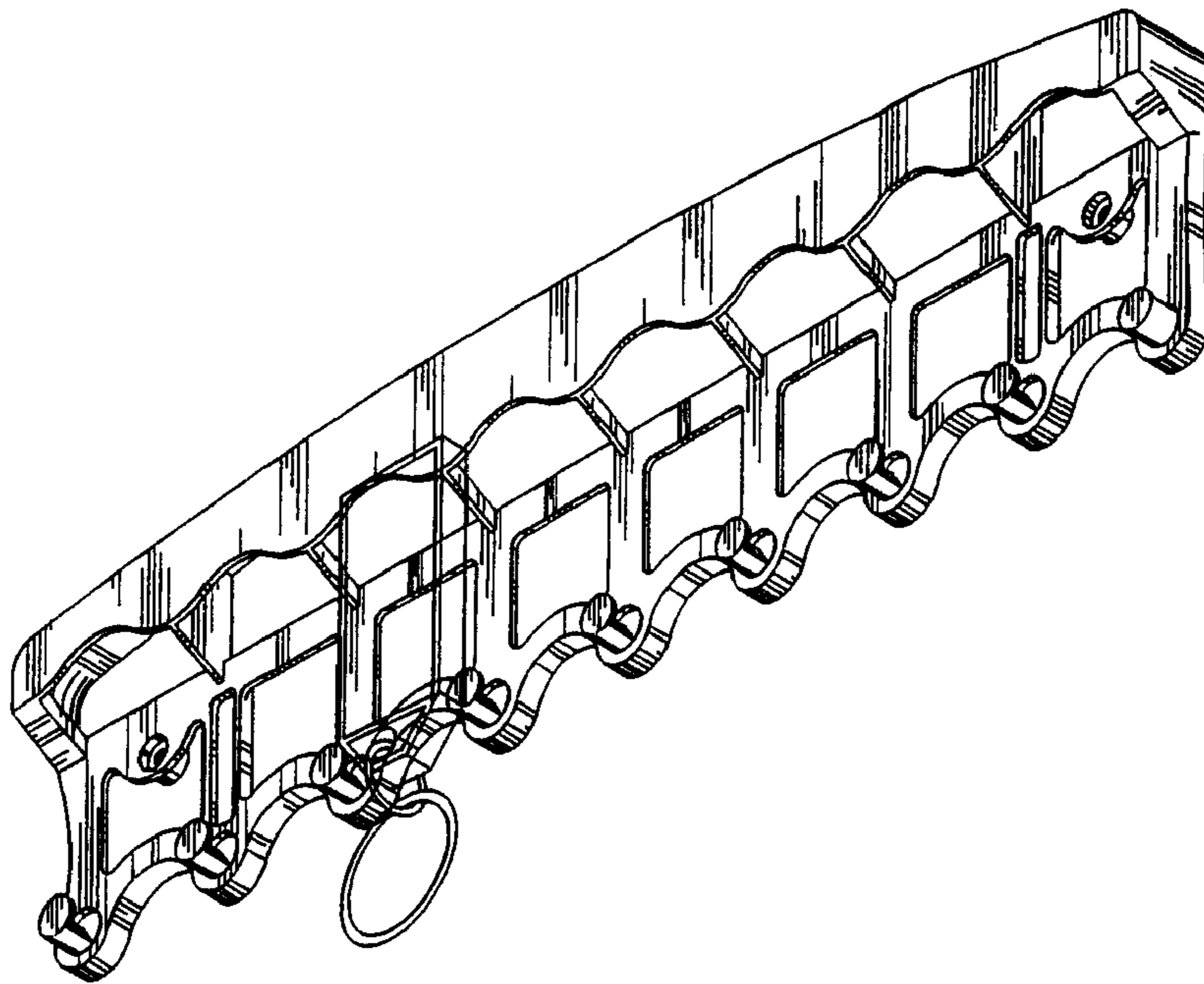


Figure 13

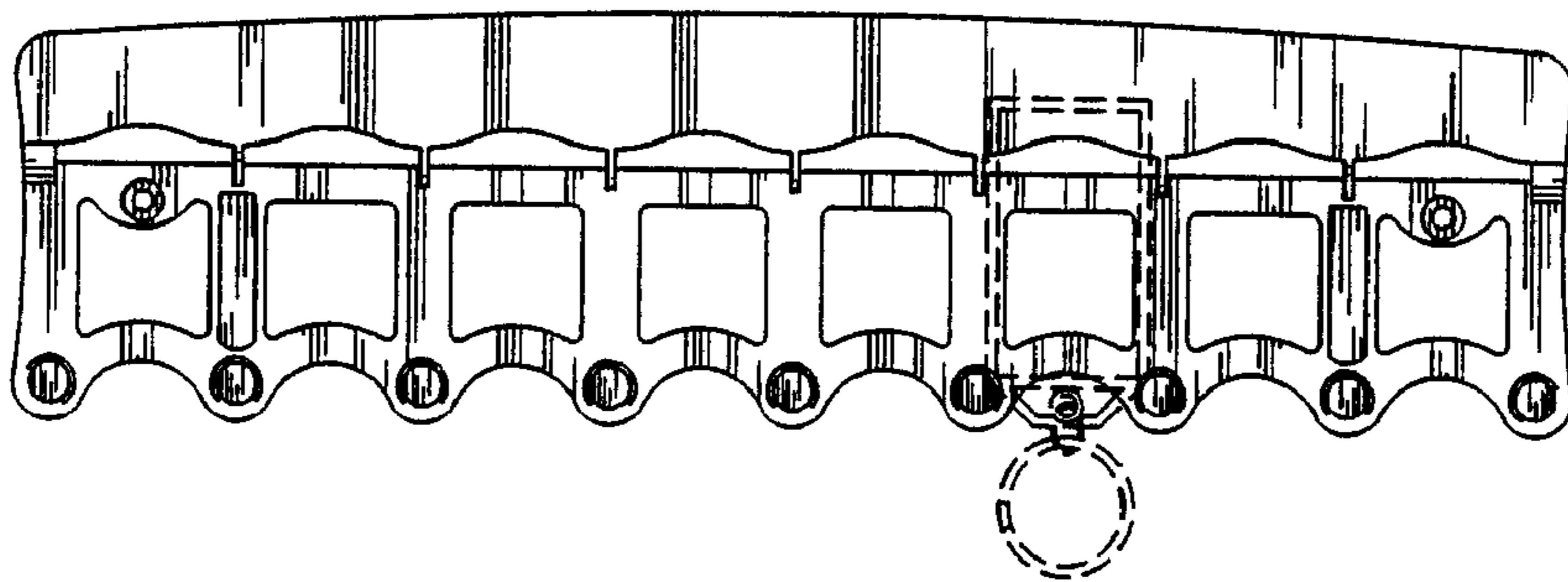


Figure 14

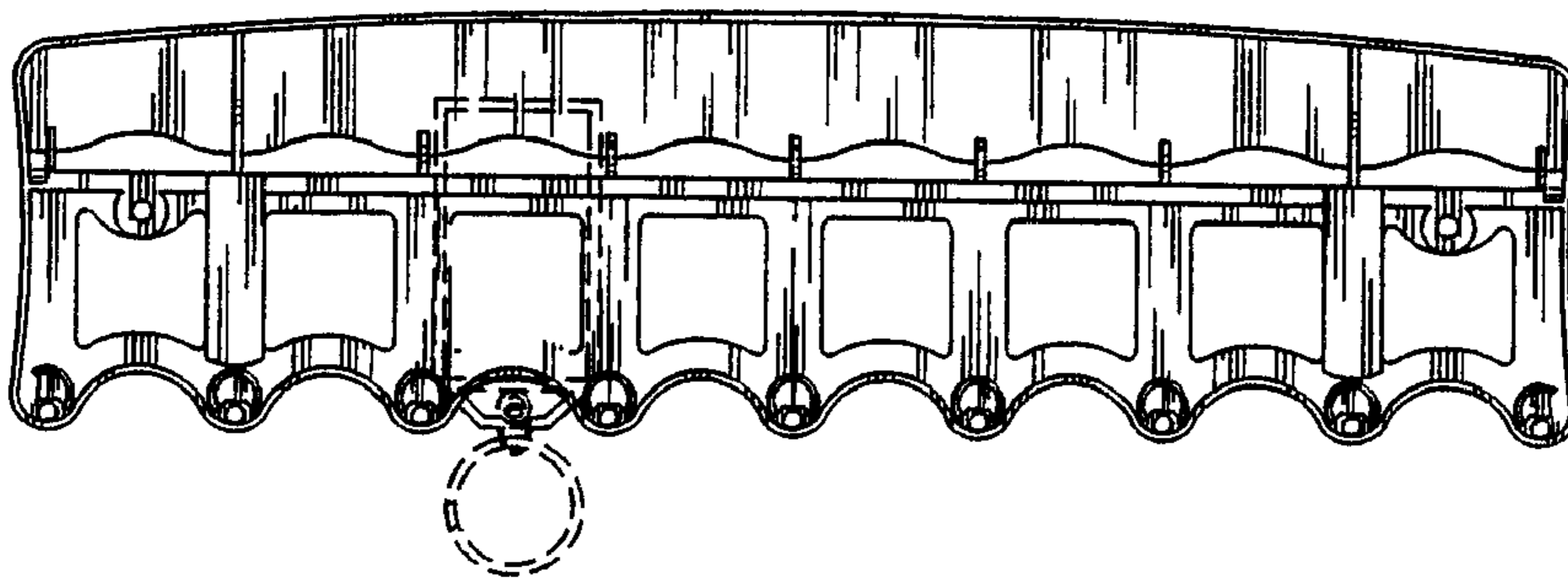


Figure 15