



US00D469643S

(12) **United States Design Patent**
Wu

(10) **Patent No.:** **US D469,643 S**

(45) **Date of Patent:** **** Feb. 4, 2003**

(54) **SLIP SEAT OF AN EASY CHAIR**

D432,823 S * 10/2000 Zheng D6/500

(76) Inventor: **Chung-Sen Wu**, 3F, No. 8, Lane 295,
Sec. 1, Fu Sing Nan Rd., Taipei (TW)

* cited by examiner

(**) Term: **14 Years**

Primary Examiner—Doris V. Coles

Assistant Examiner—Mimosa De

(74) *Attorney, Agent, or Firm*—Alan Kamrath; Rider,
Bennett, Egan & Arundel, LLP

(21) Appl. No.: **29/157,285**

(22) Filed: **Mar. 13, 2002**

(57) **CLAIM**

(51) **LOC (7) Cl.** **06-06**

The ornamental design for a slip seat of an easy chair, as shown and described.

(52) **U.S. Cl.** **D6/500**

(58) **Field of Search** D6/334, 335, 336,
D6/367, 368, 374, 375, 500–502; 248/164;
297/16.2, 45, 46, 55, 56, 57, 440.1, 452.13

DESCRIPTION

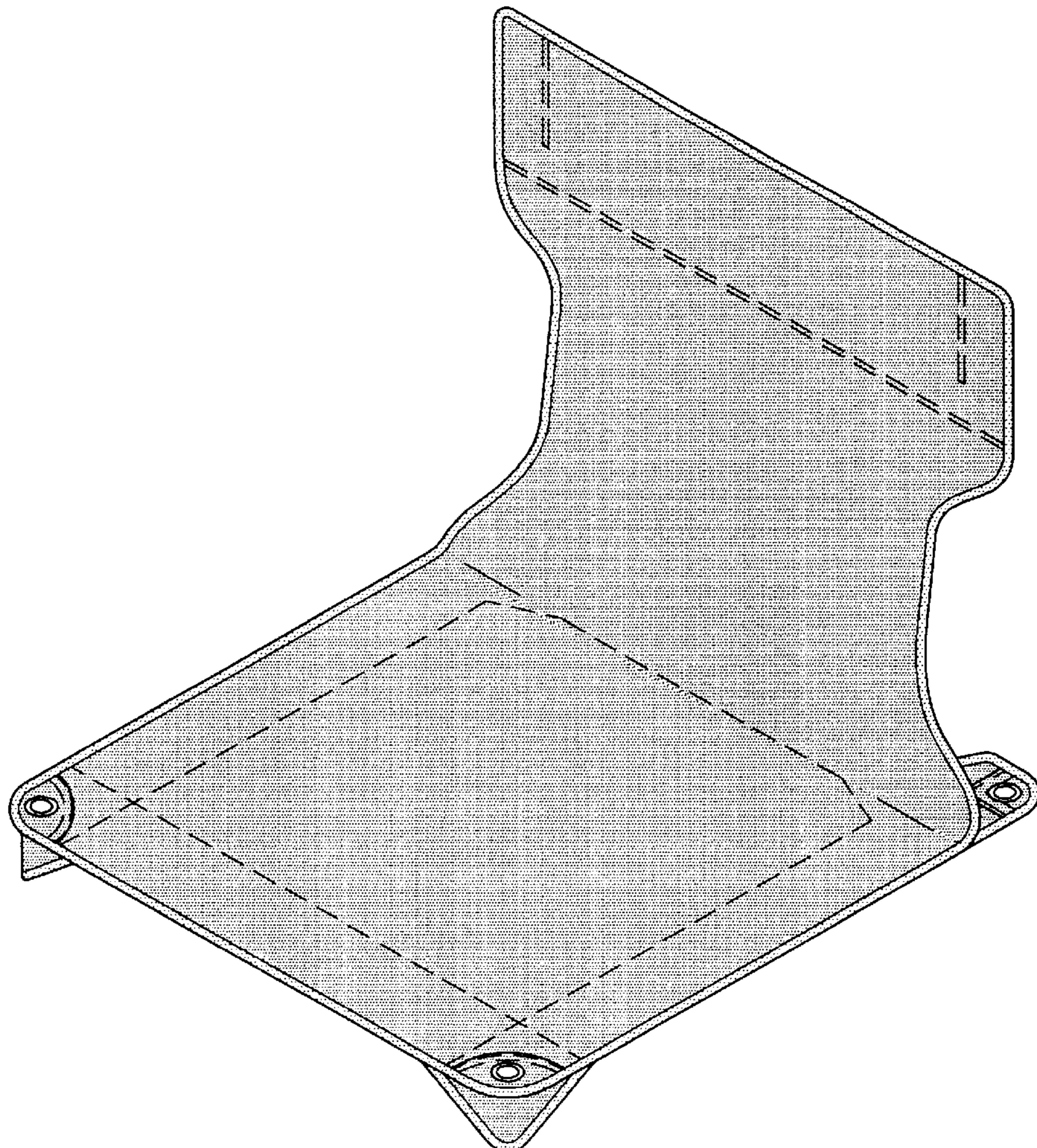
(56) **References Cited**

FIG. 1 is a perspective view of a slip seat of an easy chair showing my new design;
FIG. 2 is a front elevational view thereof;
FIG. 3 is a rear elevational view thereof;
FIG. 4 is a left side elevational view thereof.
FIG. 5 is a right side elevational view thereof;
FIG. 6 is a top plan view thereof; and,
FIG. 7 is a bottom plan view thereof.

U.S. PATENT DOCUMENTS

4,014,591	A	*	3/1977	Gittings	297/55
4,685,725	A	*	8/1987	Helfrich	297/45
5,893,605	A	*	4/1999	Chang	297/16.2
D430,976	S	*	9/2000	Tow	D6/374
D432,325	S	*	10/2000	Zheng et al.	D6/368

1 Claim, 7 Drawing Sheets



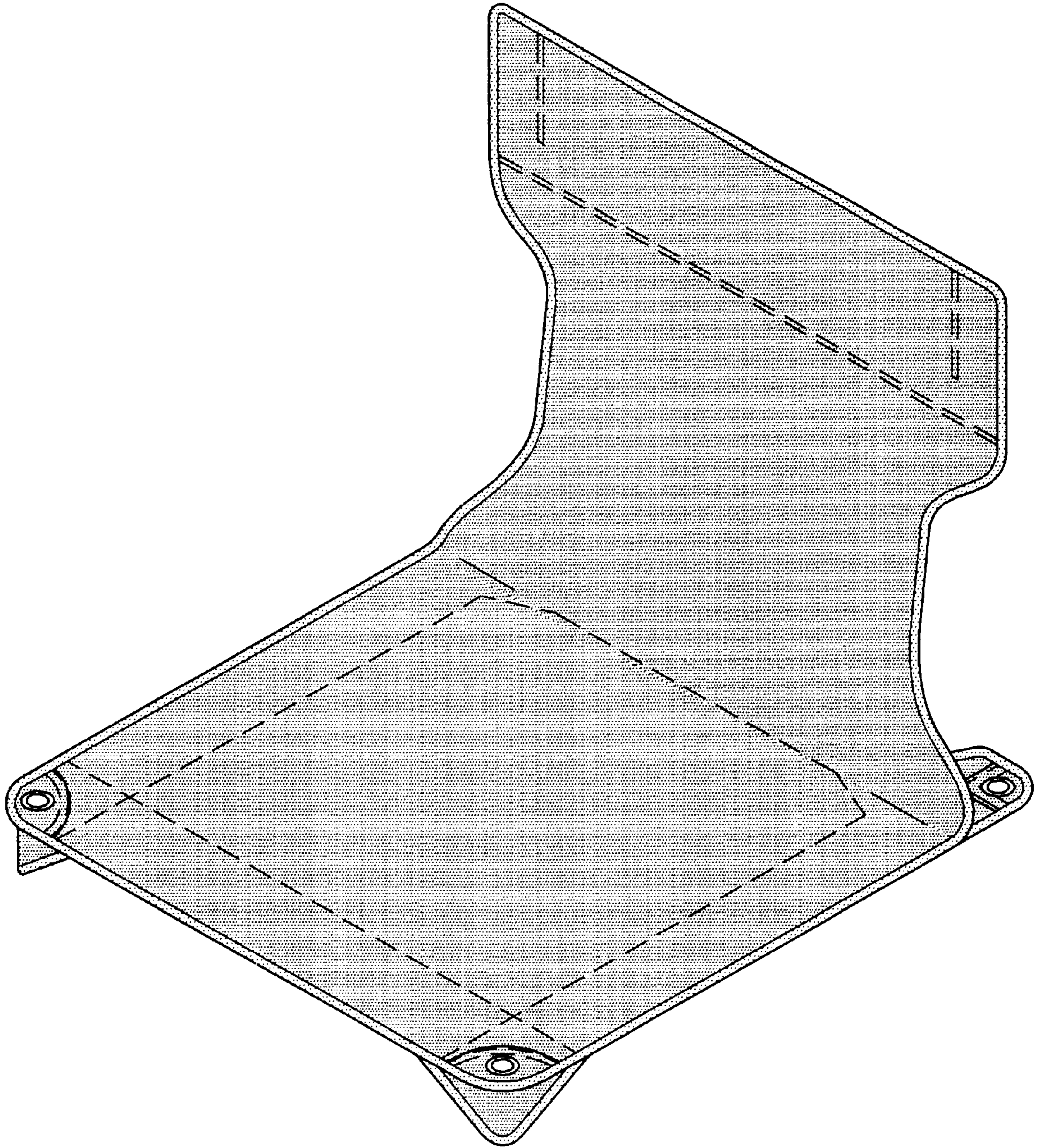


FIG. 1

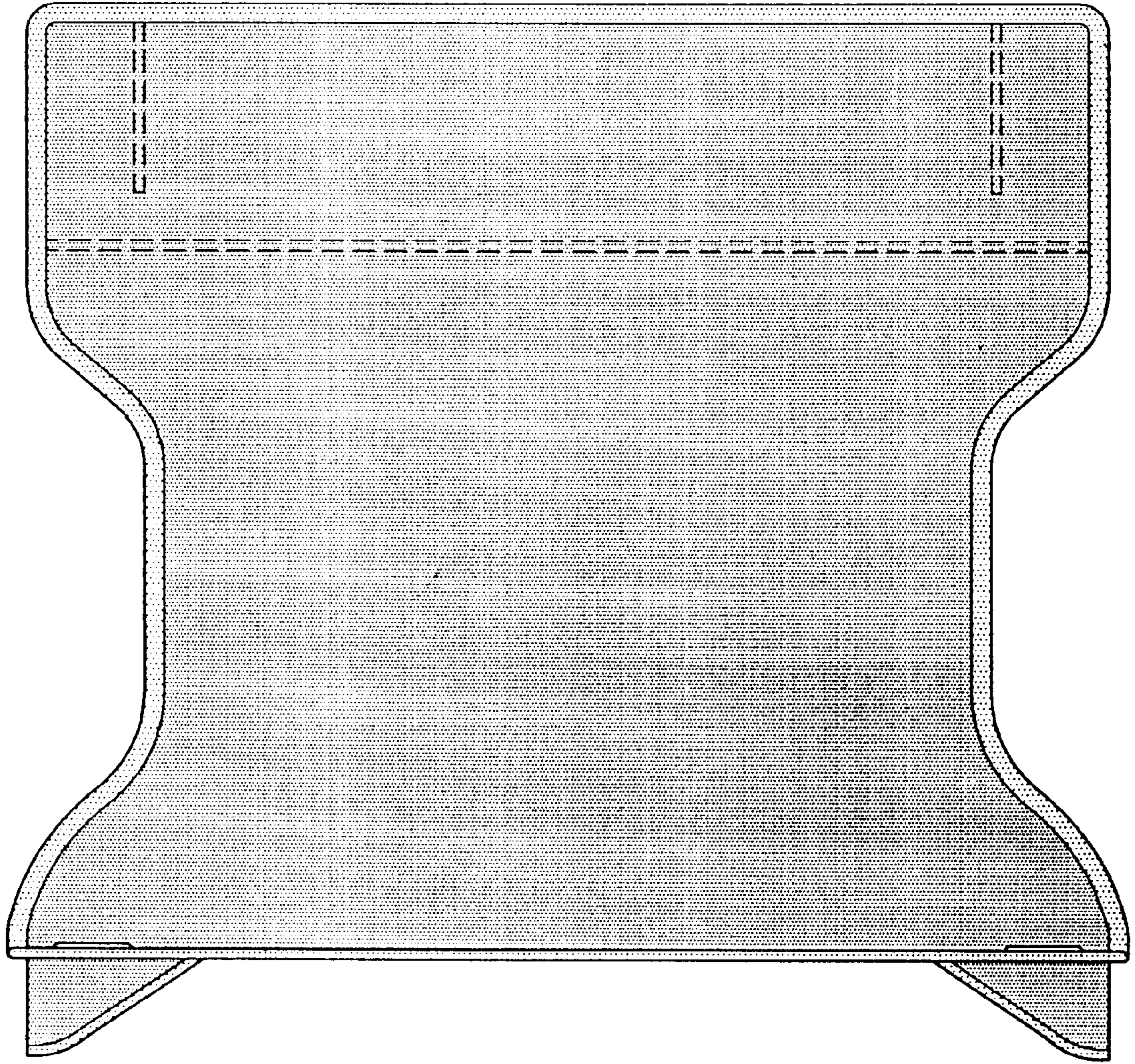


FIG. 2

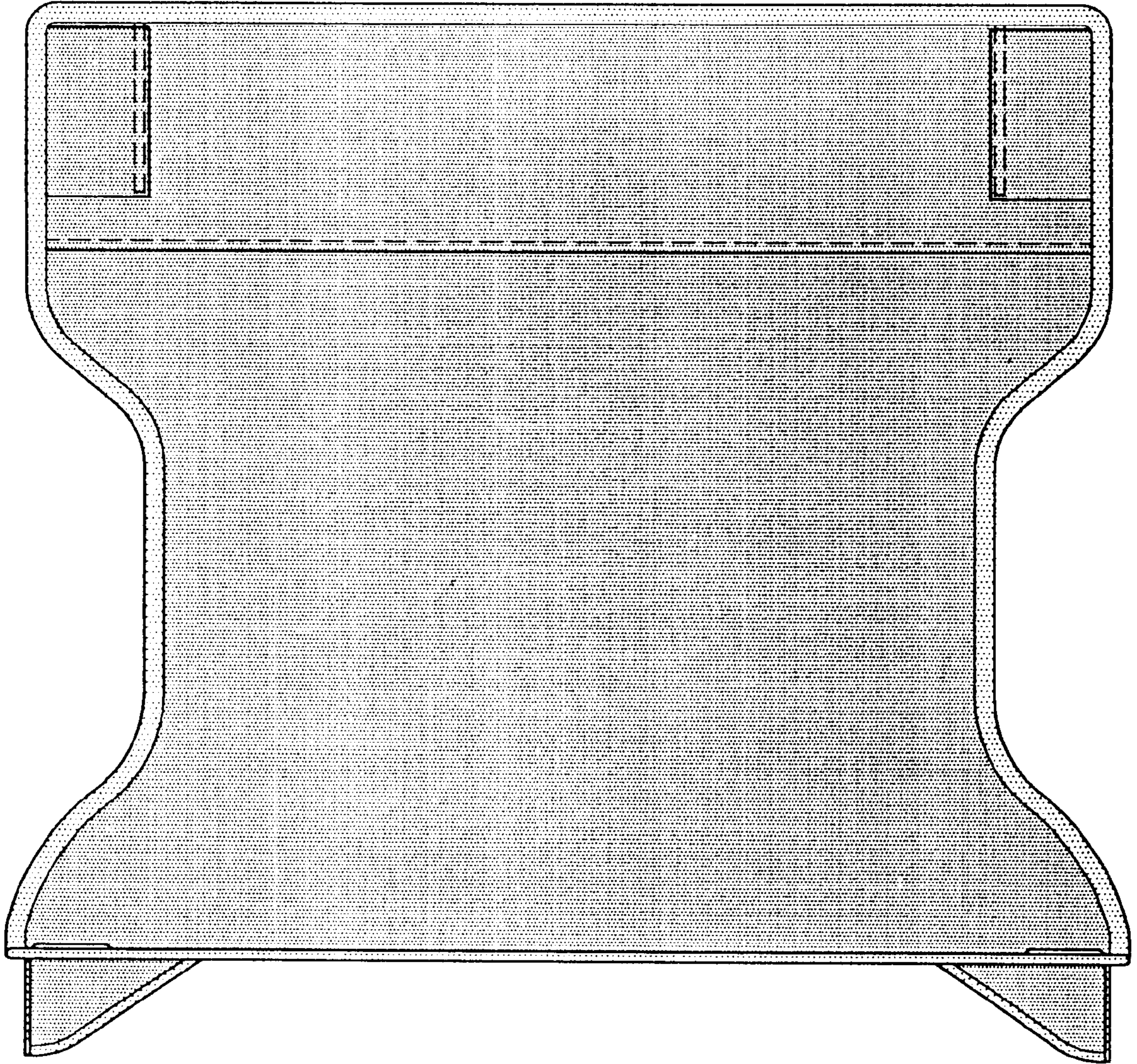


FIG. 3

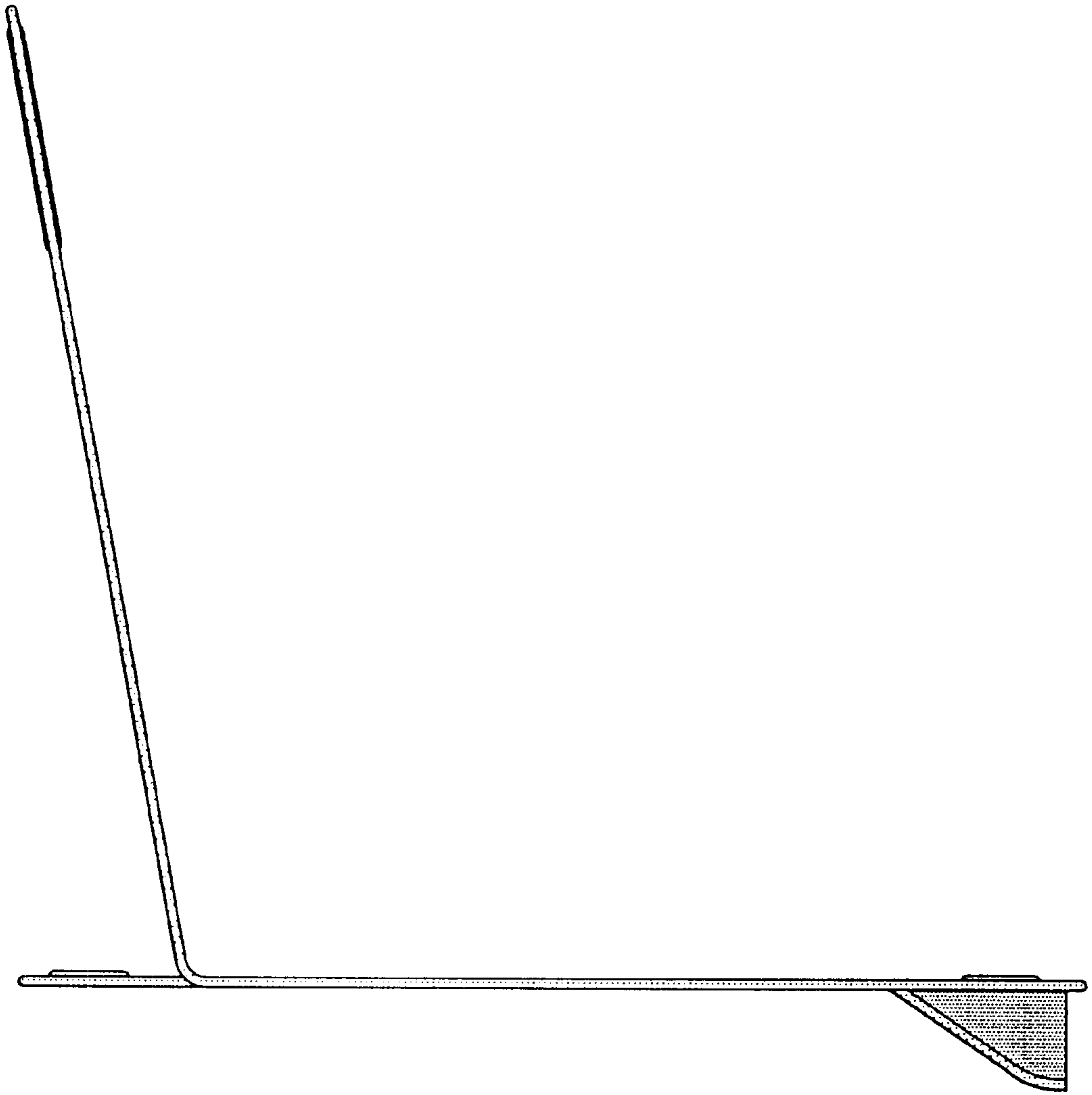


FIG. 4

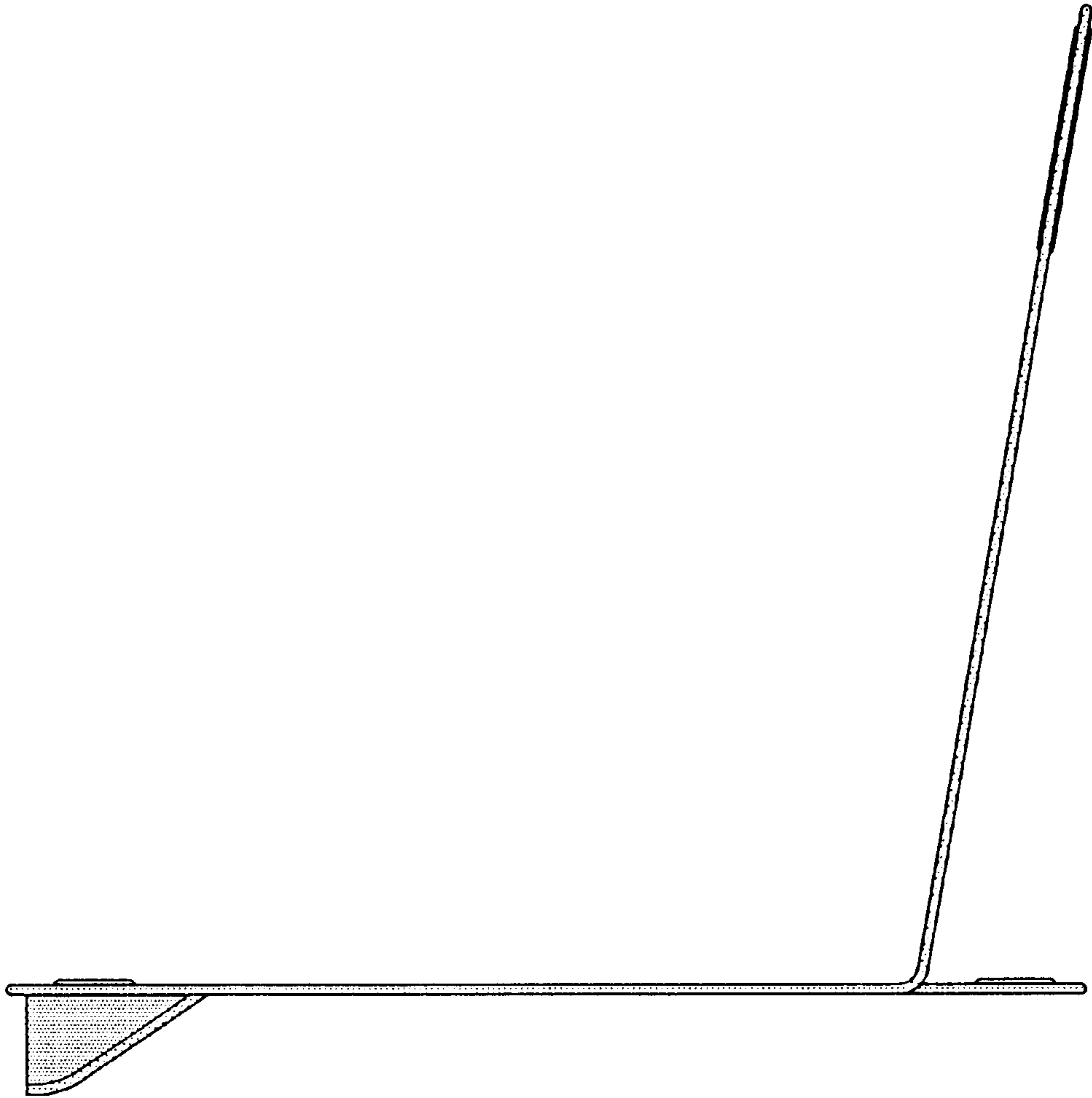


FIG. 5

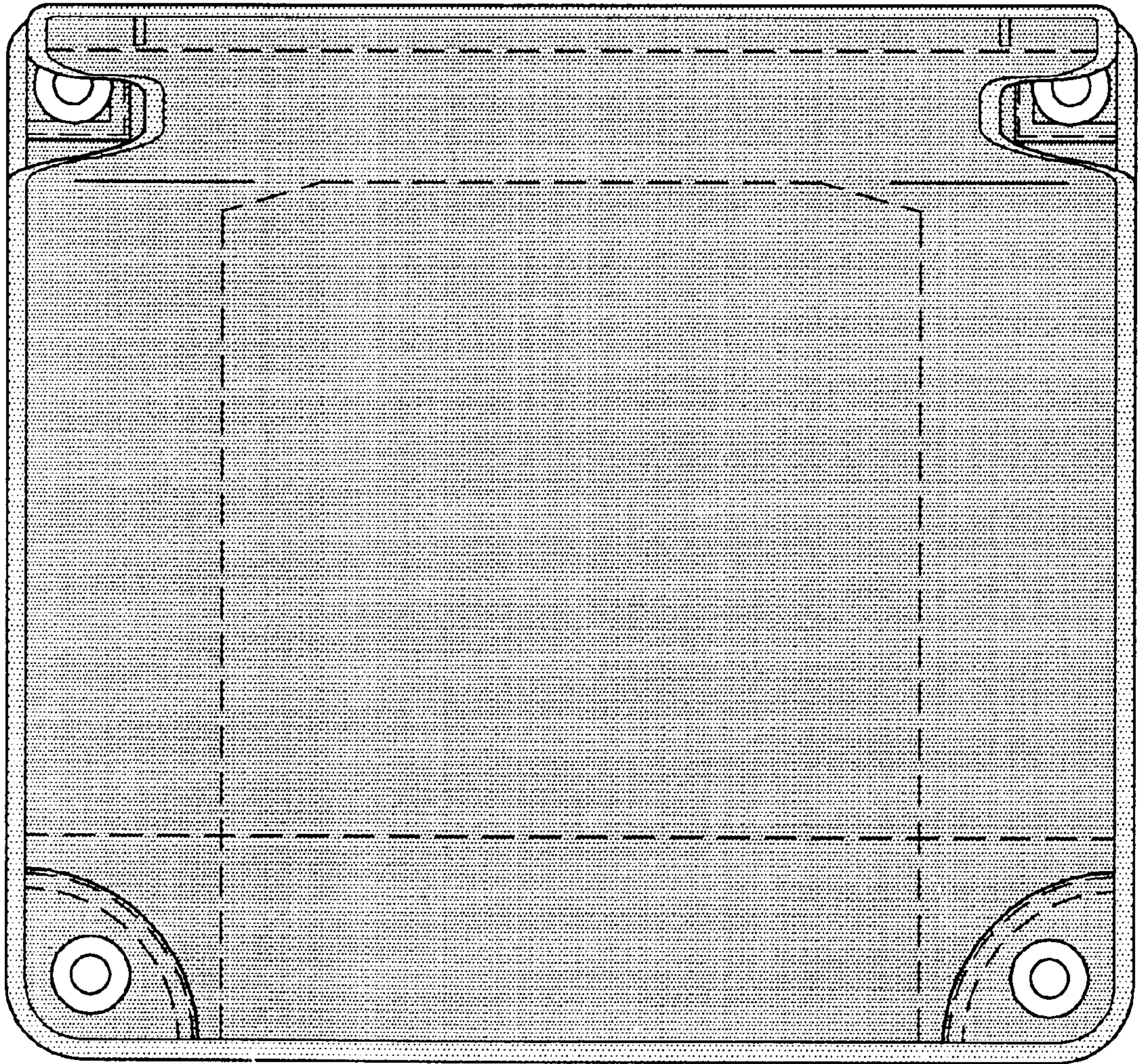


FIG. 6

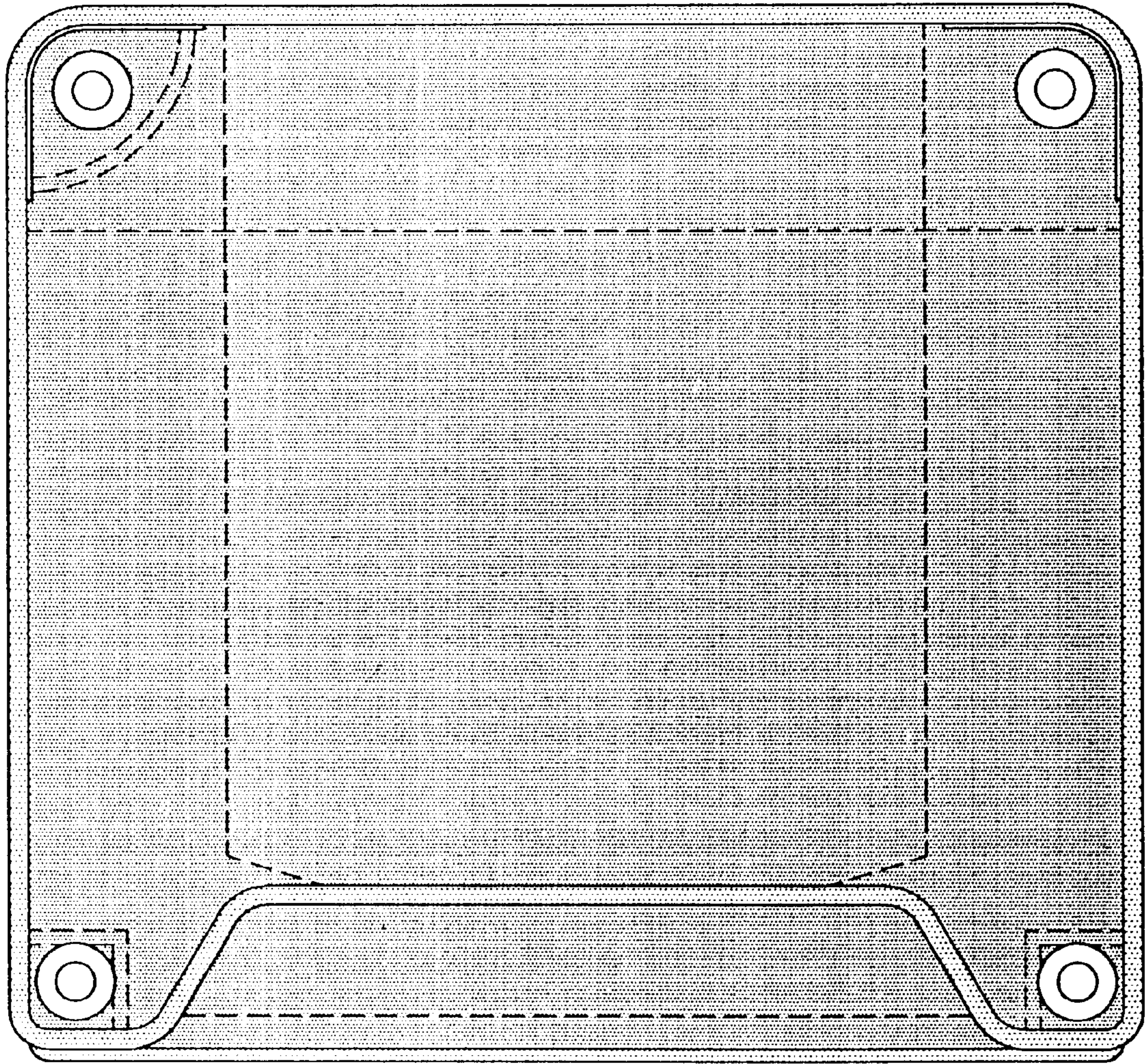


FIG. 7