



US00D469634S

(12) **United States Design Patent**
Hirsch

(10) **Patent No.:** **US D469,634 S**

(45) **Date of Patent:** **** Feb. 4, 2003**

(54) **DINING TABLE**

(76) **Inventor:** **Michael H. Hirsch**, 8750 N. Central Expressway, #1050, Dallas, TX (US) 75231

(**) **Term:** **14 Years**

(21) **Appl. No.:** **29/151,533**

(22) **Filed:** **Nov. 3, 2001**

(51) **LOC (7) Cl.** **06-03**

(52) **U.S. Cl.** **D6/480**

(58) **Field of Search** D6/480-489, 495-499, D6/429-431; 108/153.1, 156, 157.1, 161; 248/188, 188.1, 188.7, 188.8, 188.9

(56) **References Cited**

U.S. PATENT DOCUMENTS

- 3,053,558 A * 9/1962 Challas et al. 248/188.7
- D243,306 S * 2/1977 Moyer D6/495
- D290,561 S * 6/1987 Becker D6/455
- D303,741 S * 10/1989 Lefkowitz D6/495

* cited by examiner

Primary Examiner—Janice E. Seeger
(74) *Attorney, Agent, or Firm*—Daniel N. Lundeen; Lundeen & Dickinson, LLP

(57) **CLAIM**

The ornamental design for a dining table, as shown and described.

DESCRIPTION

FIG. 1 is a perspective view of a dining table, showing my new design;

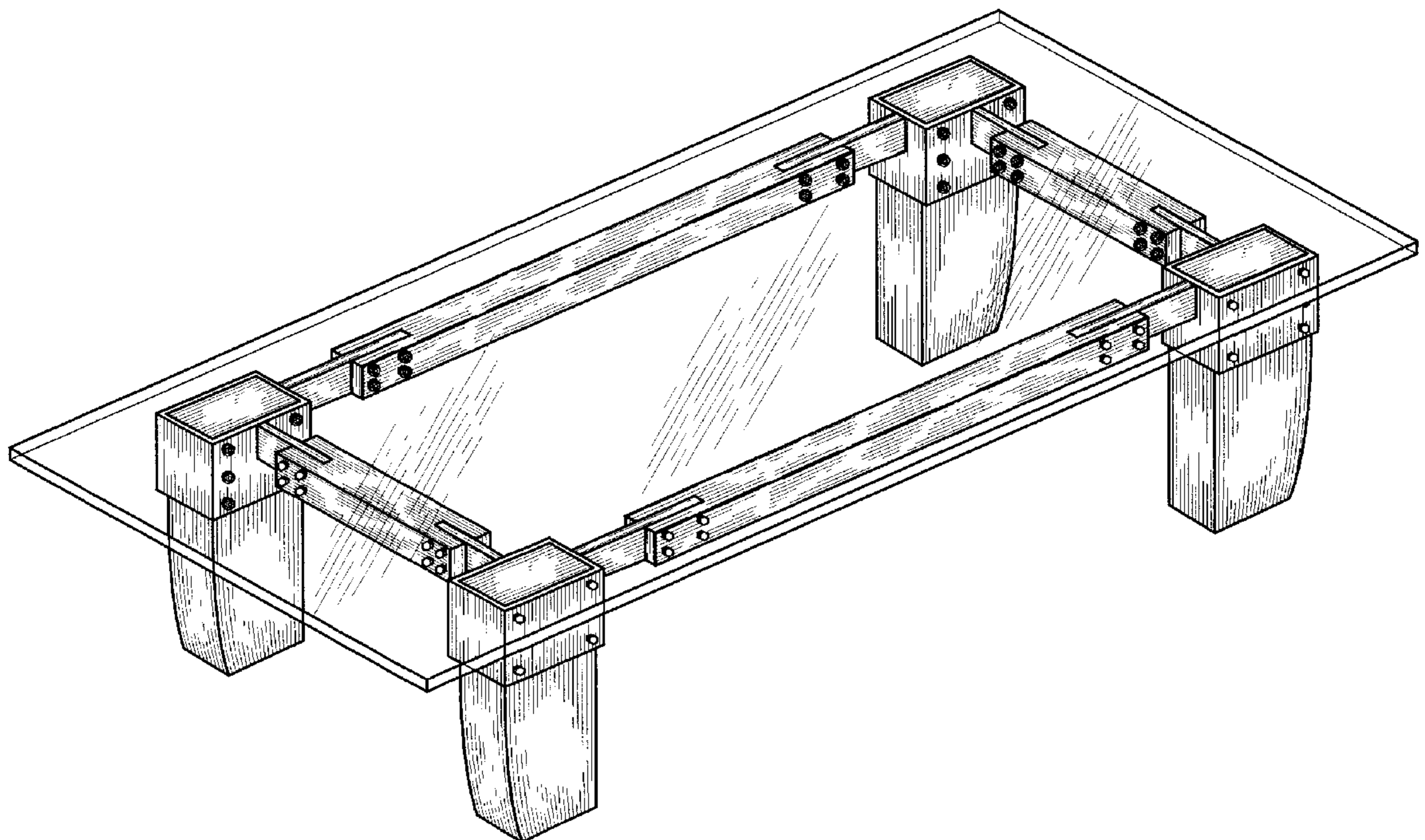
FIG. 2 is a front elevational view thereof, showing my new design;

FIG. 3 is a side elevational view thereof, showing my new design;

FIG. 4 is a top elevational perspective view thereof, showing my new design; and,

FIG. 5 is a bottom elevational perspective view thereof, showing my new design.

1 Claim, 3 Drawing Sheets



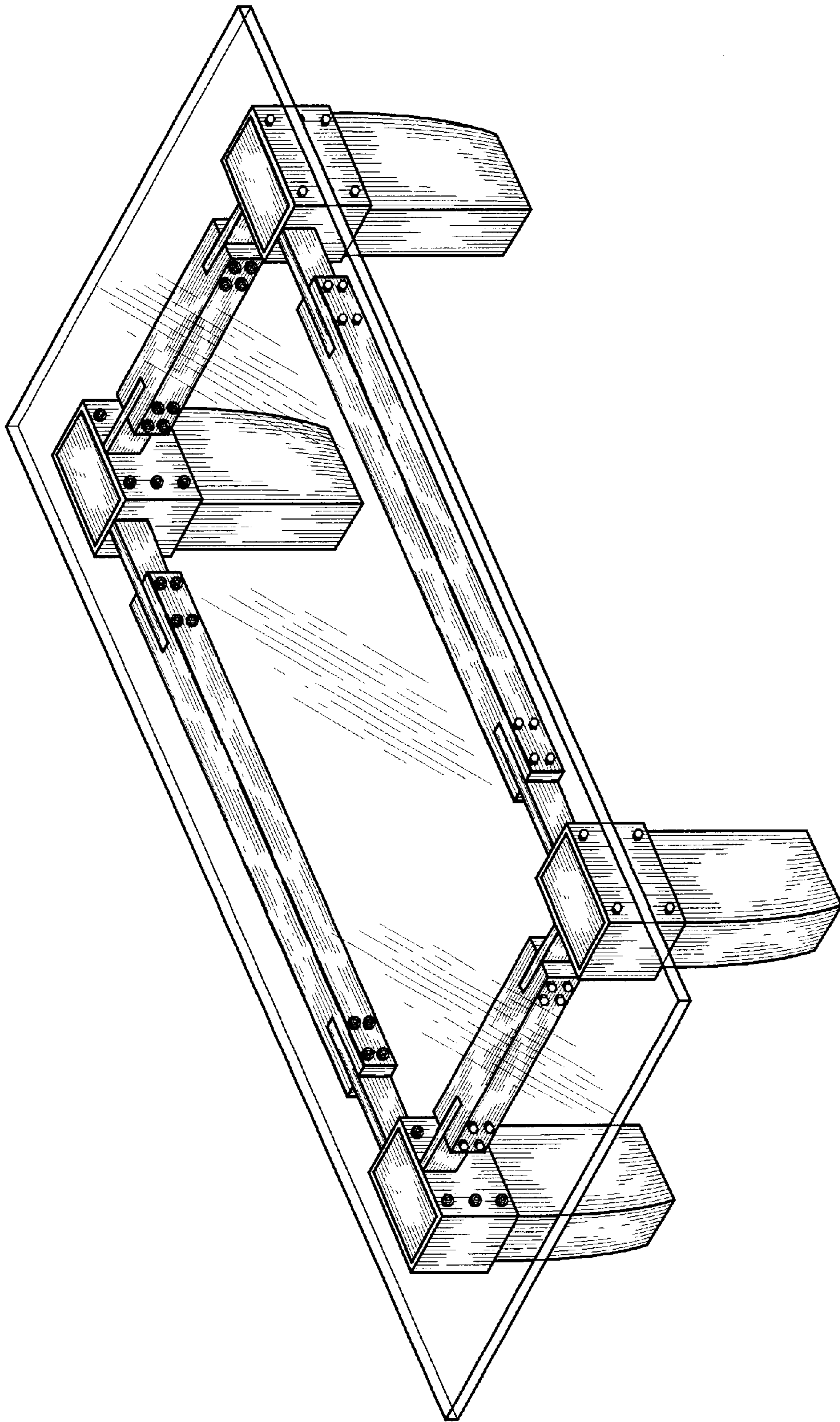


FIG. 1

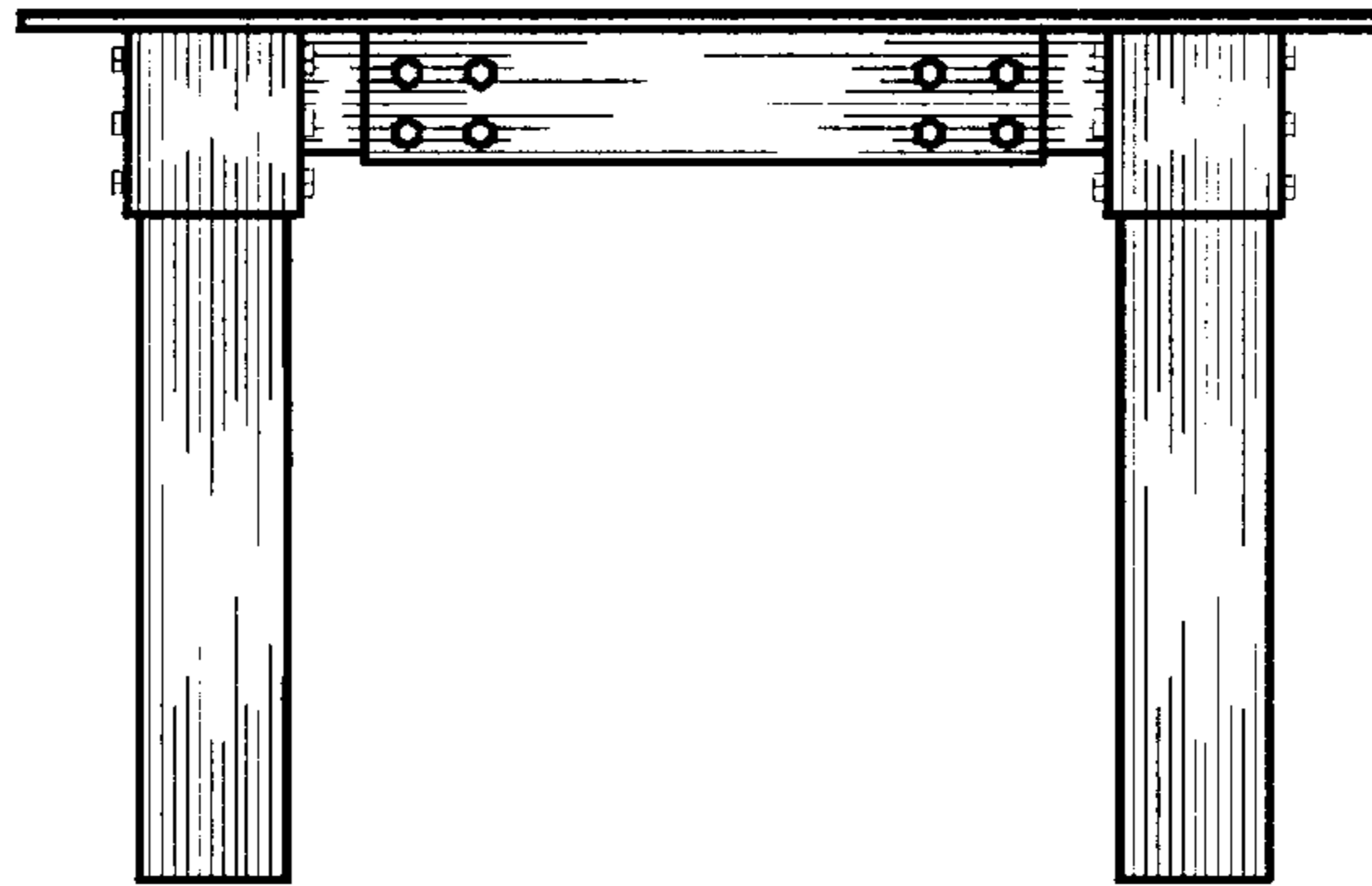


FIG. 2

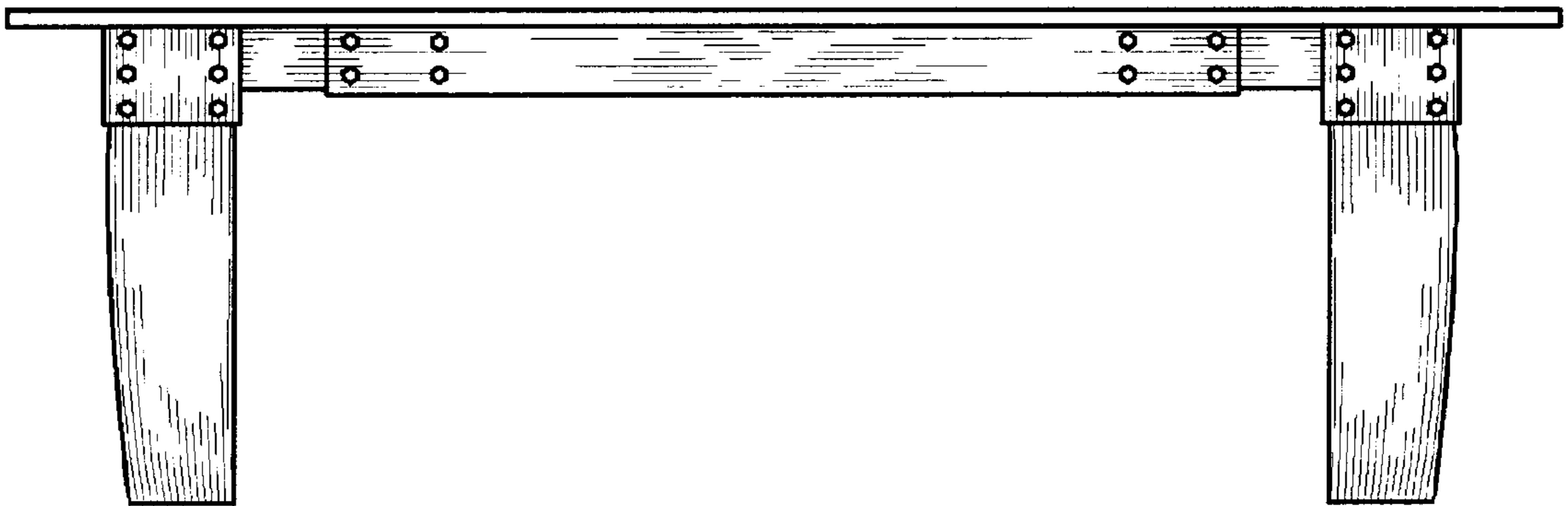


FIG. 3

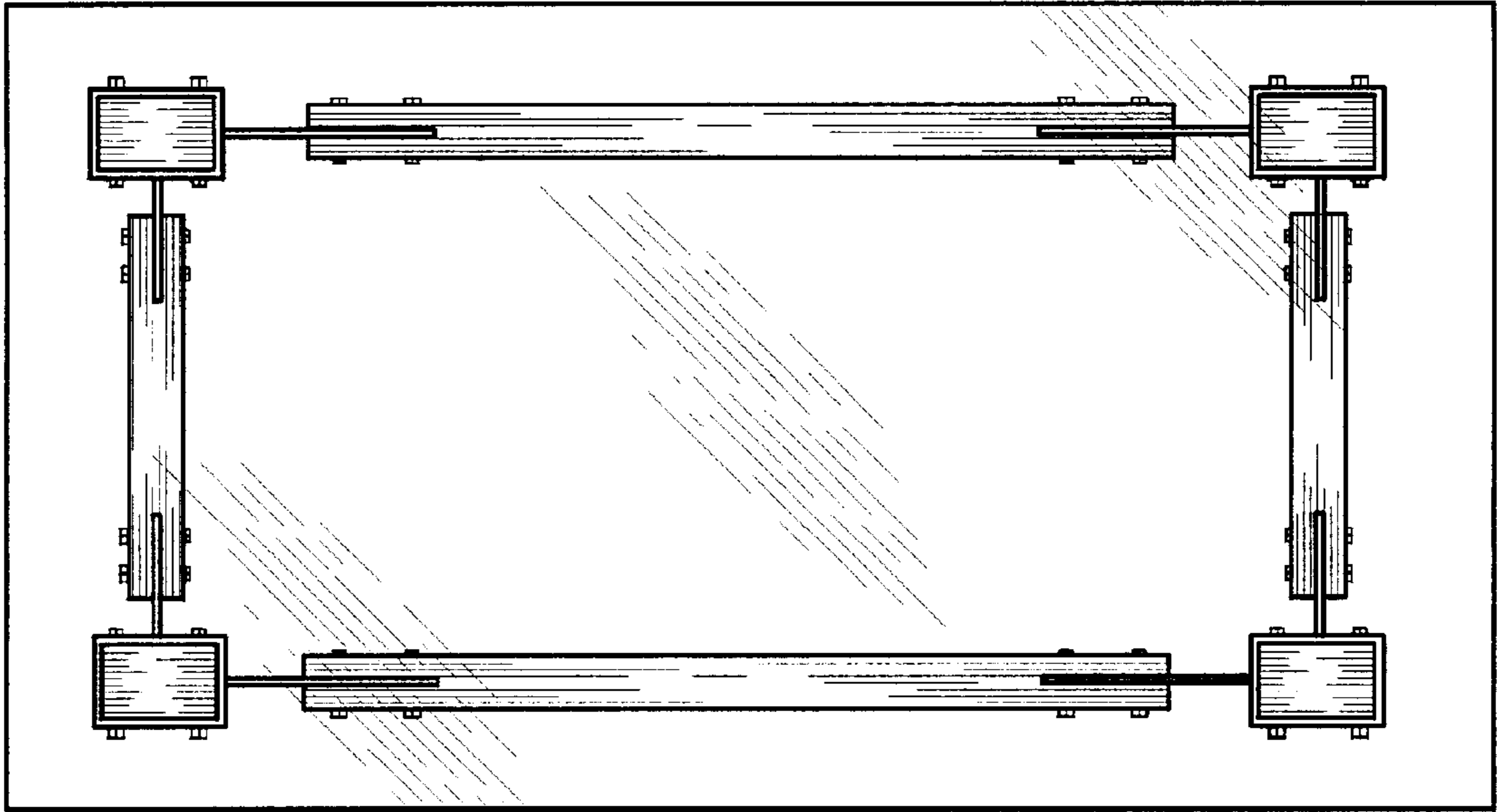


FIG. 4

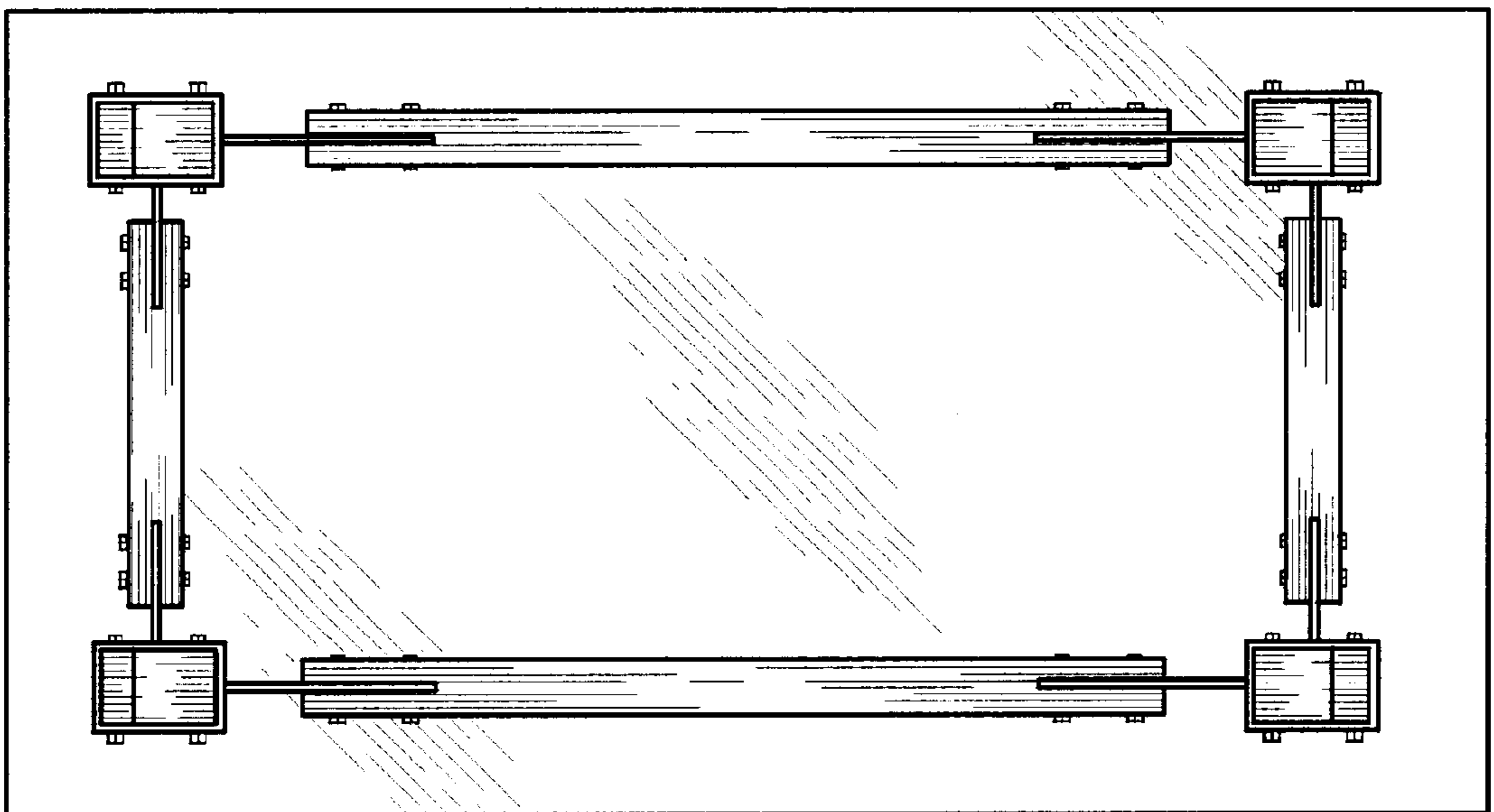


FIG. 5