



US00D469633S

(12) **United States Design Patent**  
**Hirsch**

(10) **Patent No.:** **US D469,633 S**

(45) **Date of Patent:** **\*\* Feb. 4, 2003**

(54) **END TABLE**

(76) **Inventor:** **Michael H. Hirsch**, 8750 N. Central Expressway, #1050, Dallas, TX (US) 75231

(\*\*) **Term:** **14 Years**

(21) **Appl. No.:** **29/151,532**

(22) **Filed:** **Nov. 3, 2001**

(51) **LOC (7) Cl.** ..... **06-03**

(52) **U.S. Cl.** ..... **D6/480**

(58) **Field of Search** ..... D6/480-489, 495-499, D6/429-431; 108/153.1, 156, 157.1, 161; 248/188, 188.1, 188.7, 188.8, 188.9

(56) **References Cited**

**U.S. PATENT DOCUMENTS**

- D147,114 S \* 7/1947 Cutrow ..... D6/484
- D290,561 S \* 6/1987 Becker ..... D6/455
- D303,741 S \* 10/1989 Lefkowitz ..... D6/495
- D326,971 S \* 6/1992 Leis et al. .... D6/477

\* cited by examiner

*Primary Examiner*—Janice E. Seeger

(74) *Attorney, Agent, or Firm*—Daniel N. Lundeen; Lundeen & Dickinson, LLP

(57) **CLAIM**

The ornamental design for an end table, as shown and described.

**DESCRIPTION**

FIG. 1 is a perspective view of an end table, showing my new design;

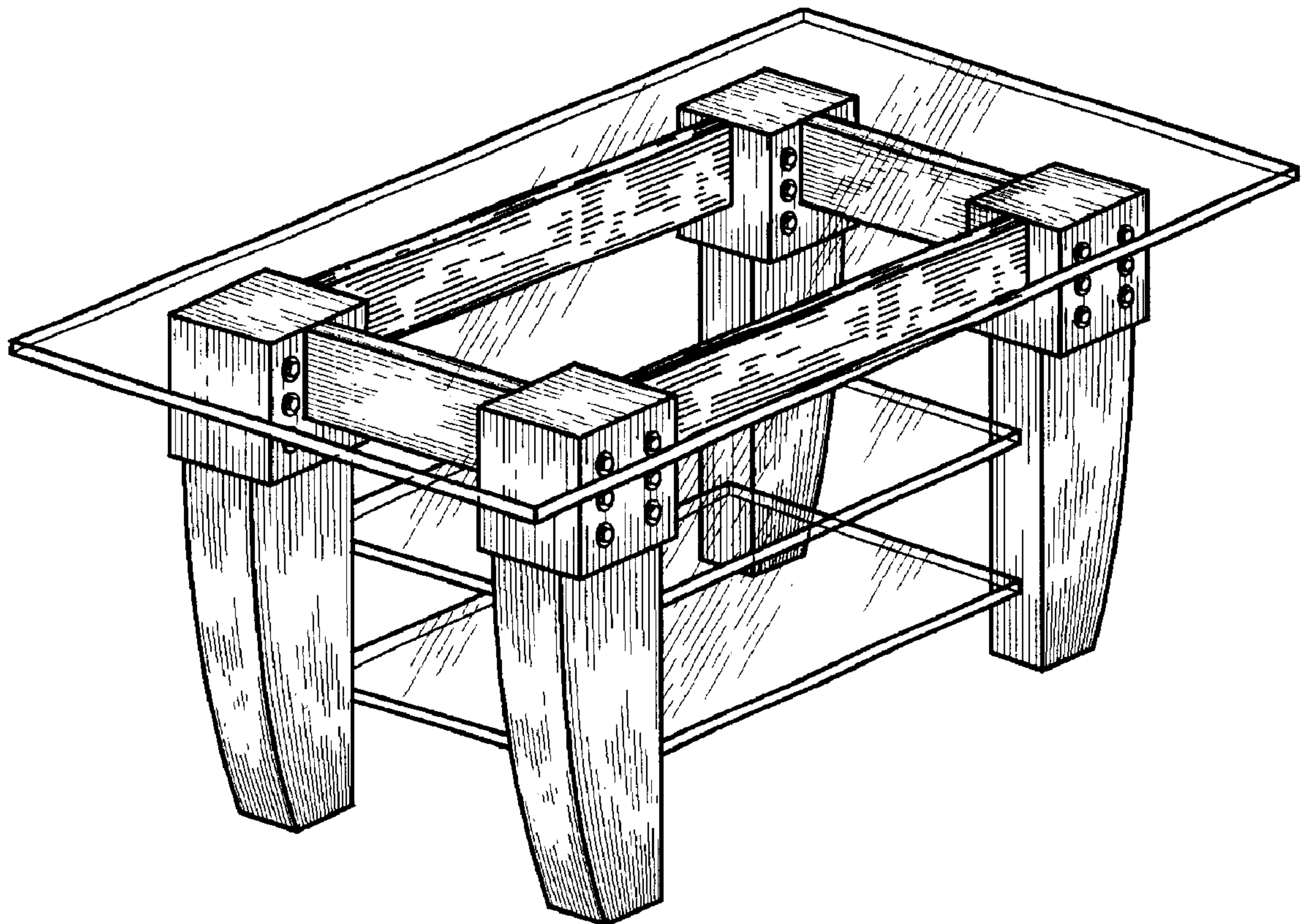
FIG. 2 is a front elevational view thereof, showing my new design;

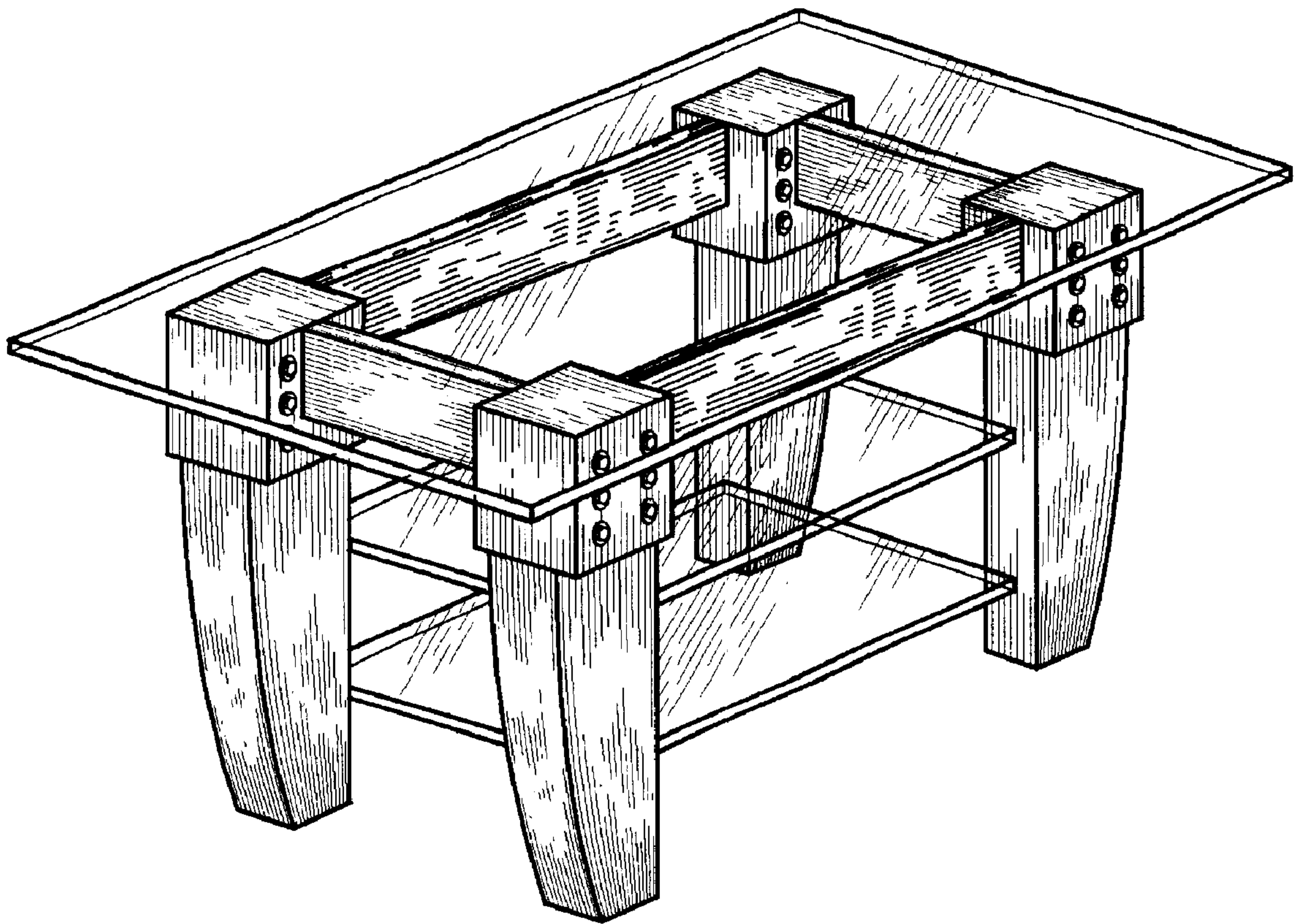
FIG. 3 is a side elevational view thereof, showing my new design;

FIG. 4 is a top elevational perspective view thereof, showing my new design; and,

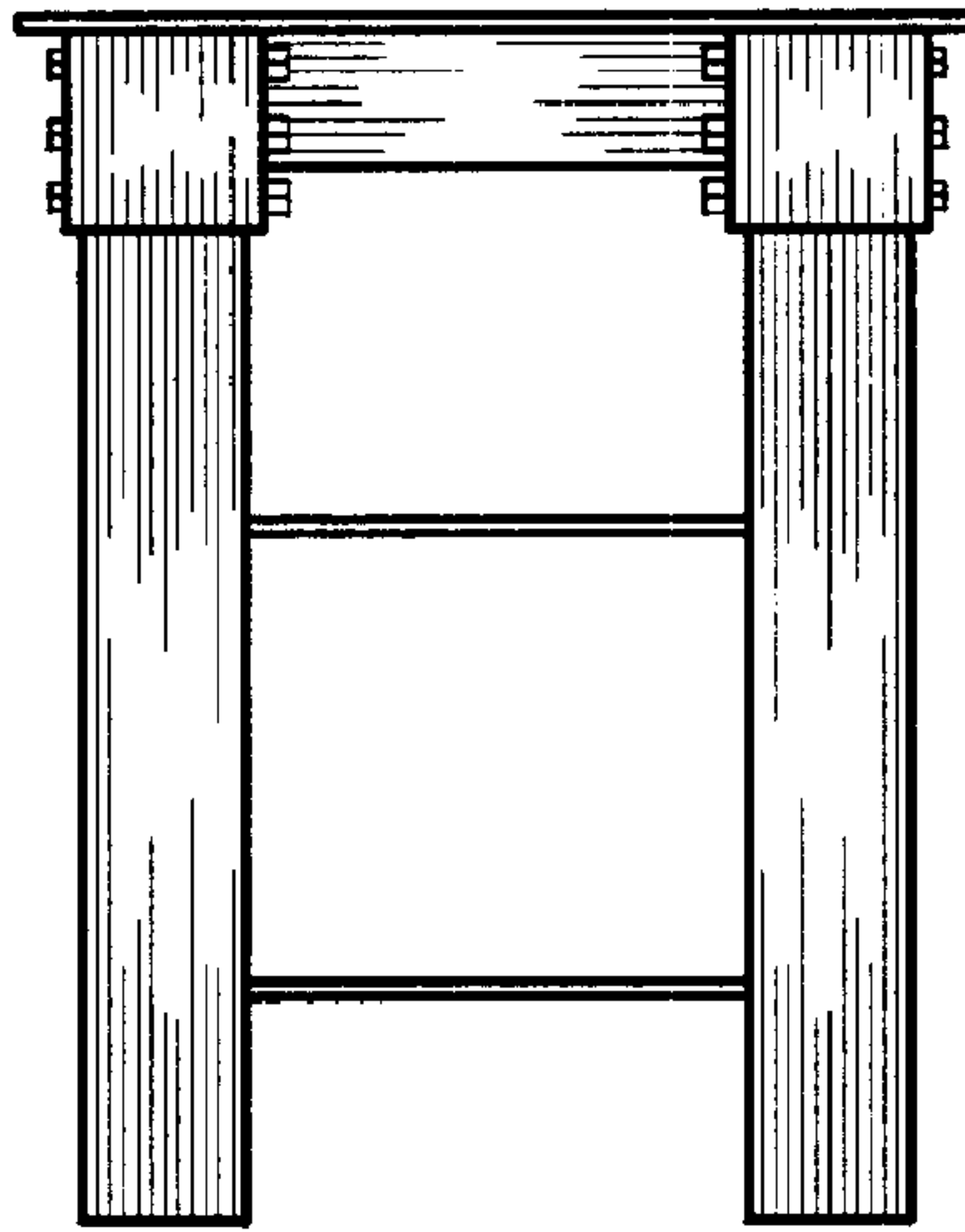
FIG. 5 is a bottom elevational perspective view thereof, showing my new design.

**1 Claim, 3 Drawing Sheets**

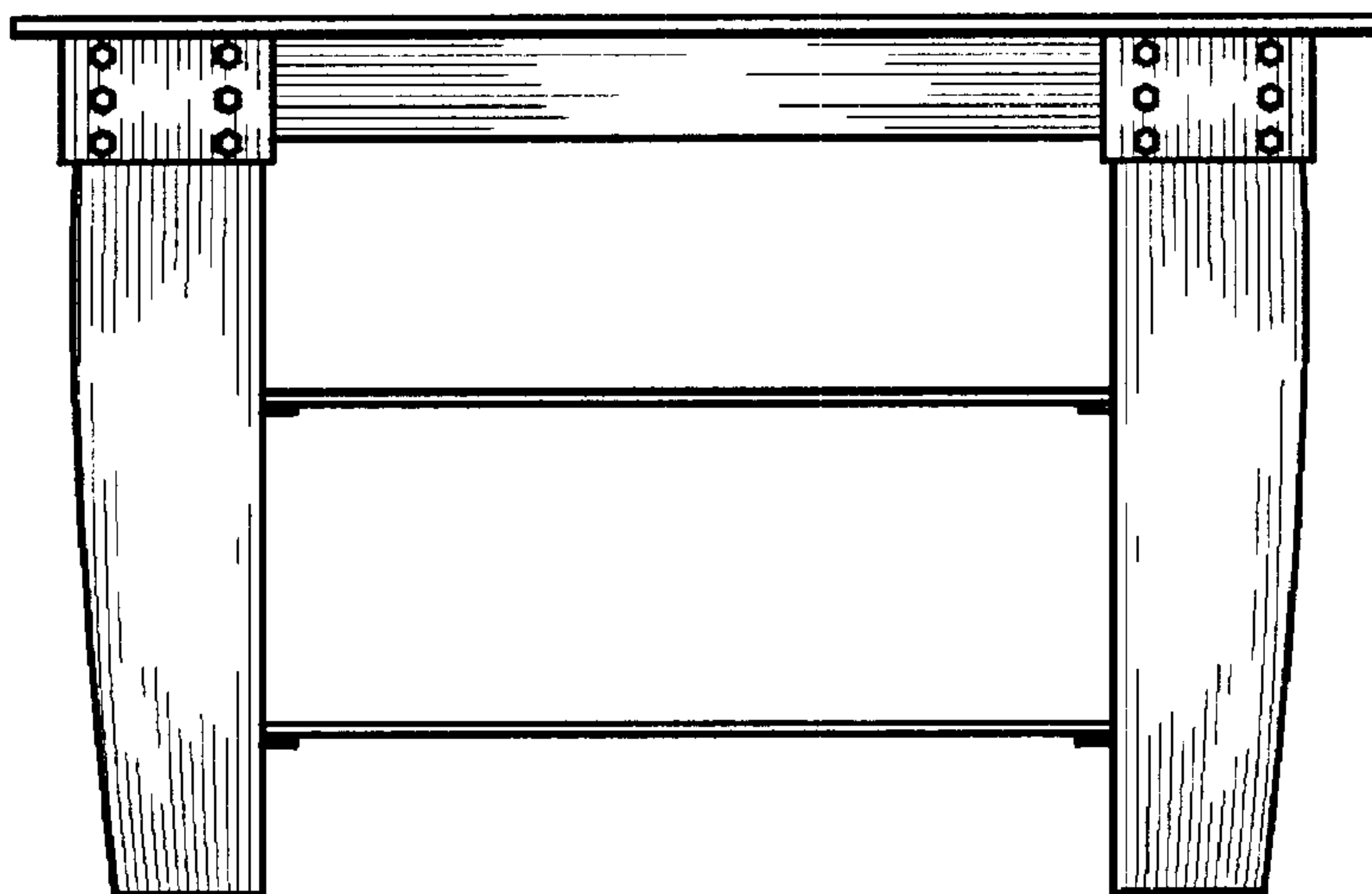




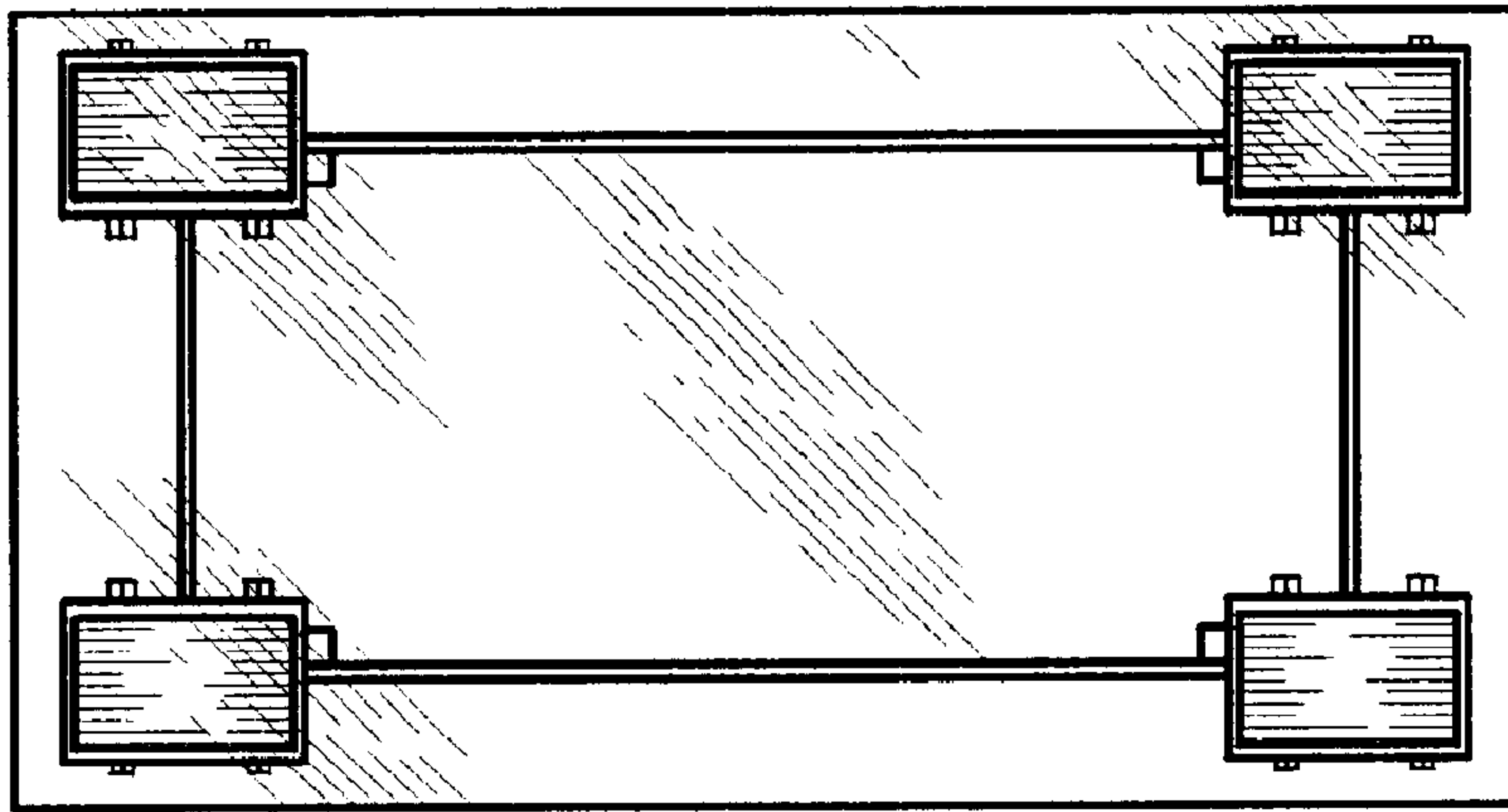
**FIG. 1**



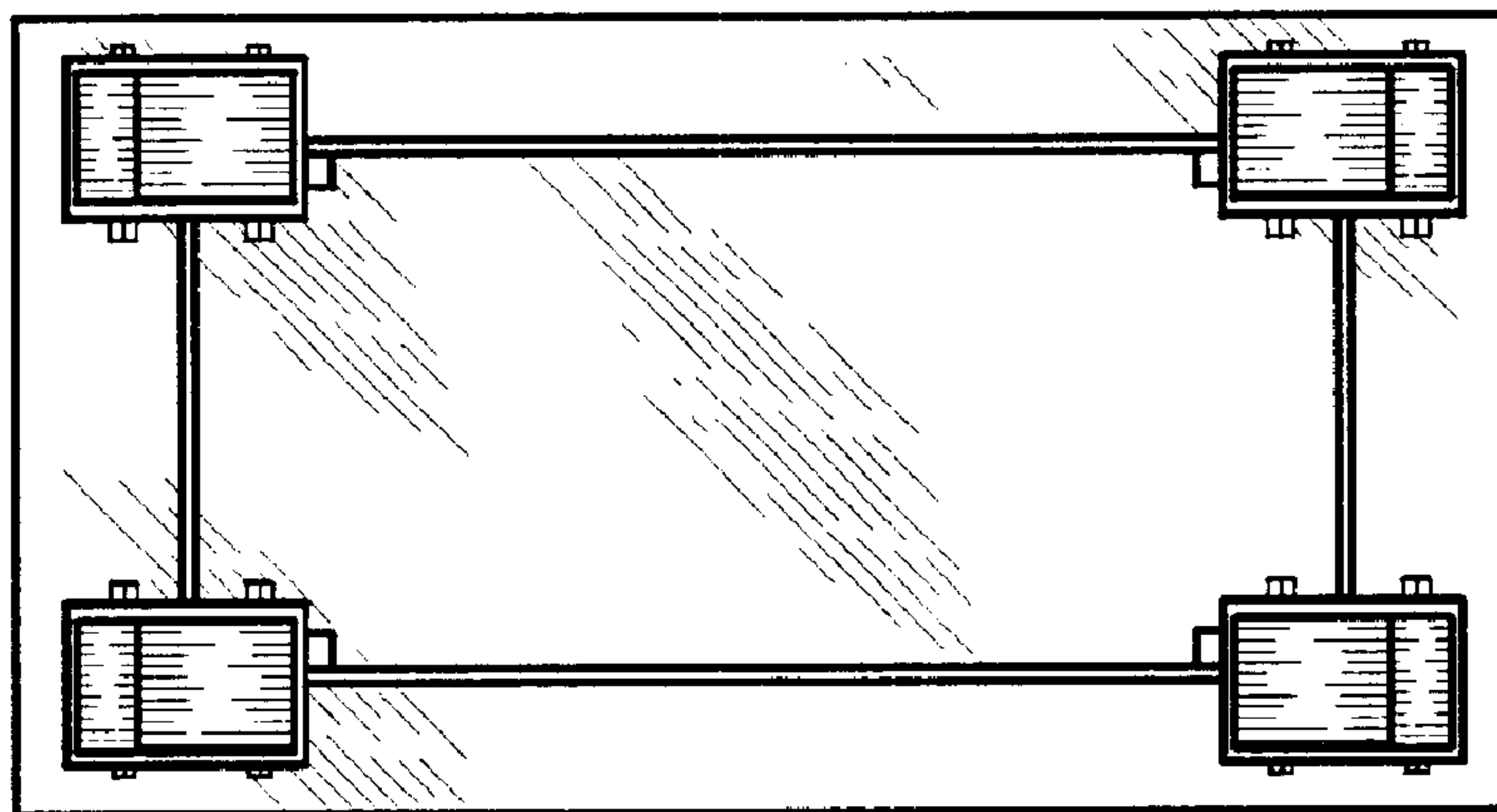
**FIG. 2**



**FIG. 3**



**FIG. 4**



**FIG. 5**