



US00D469630S

(12) **United States Design Patent**
Lippert

(10) **Patent No.:** **US D469,630 S**

(45) **Date of Patent:** **** Feb. 4, 2003**

(54) **RACK FOR WIND INSTRUMENTS**

(75) **Inventor:** **Helmut Lippert**, Breitenbrunn (DE)

(73) **Assignee:** **König & Meyer GmbH & Co. KG**,
Wertheim (DE)

(**) **Term:** **14 Years**

(21) **Appl. No.:** **29/141,635**

(22) **Filed:** **May 9, 2001**

(30) **Foreign Application Priority Data**

Jan. 23, 2001 (XH) DM/054 970

(51) **LOC (7) Cl.** **06-06**

(52) **U.S. Cl.** **D6/466; D17/13; D17/99**

(58) **Field of Search** D17/99, 13, 20;
211/85.6; 248/176.1, 170, 435, 443; 84/387 A,
385 A, 453, 421; 206/314; D6/455, 466,
453, 419; D16/244

(56) **References Cited**

U.S. PATENT DOCUMENTS

3,730,587	A	*	5/1973	Bloxham et al.	297/274
D269,567	S	*	7/1983	Lorenzini	D6/455
4,407,182	A	*	10/1983	Biasini	84/453
D274,102	S	*	6/1984	You	D6/419
4,695,022	A	*	9/1987	Mendonsa et al.	248/176.1
D329,342	S	*	9/1992	Schoenig	D6/466
D332,882	S	*	2/1993	Graves	D6/466
5,544,560	A	*	8/1996	Biasini	84/387 A
D415,805	S	*	10/1999	Wygonik	D21/715
D435,365	S	*	12/2000	Eason et al.	D6/466

FOREIGN PATENT DOCUMENTS

DE	3318102	11/1983
DE	4205143 C1	3/1993
DE	198 51 935 C1	7/2000

OTHER PUBLICATIONS

König & Meyer Catalog, Jun. 1991.

* cited by examiner

Primary Examiner—Ruth McInroy

(74) *Attorney, Agent, or Firm*—Friedrich Kueffner

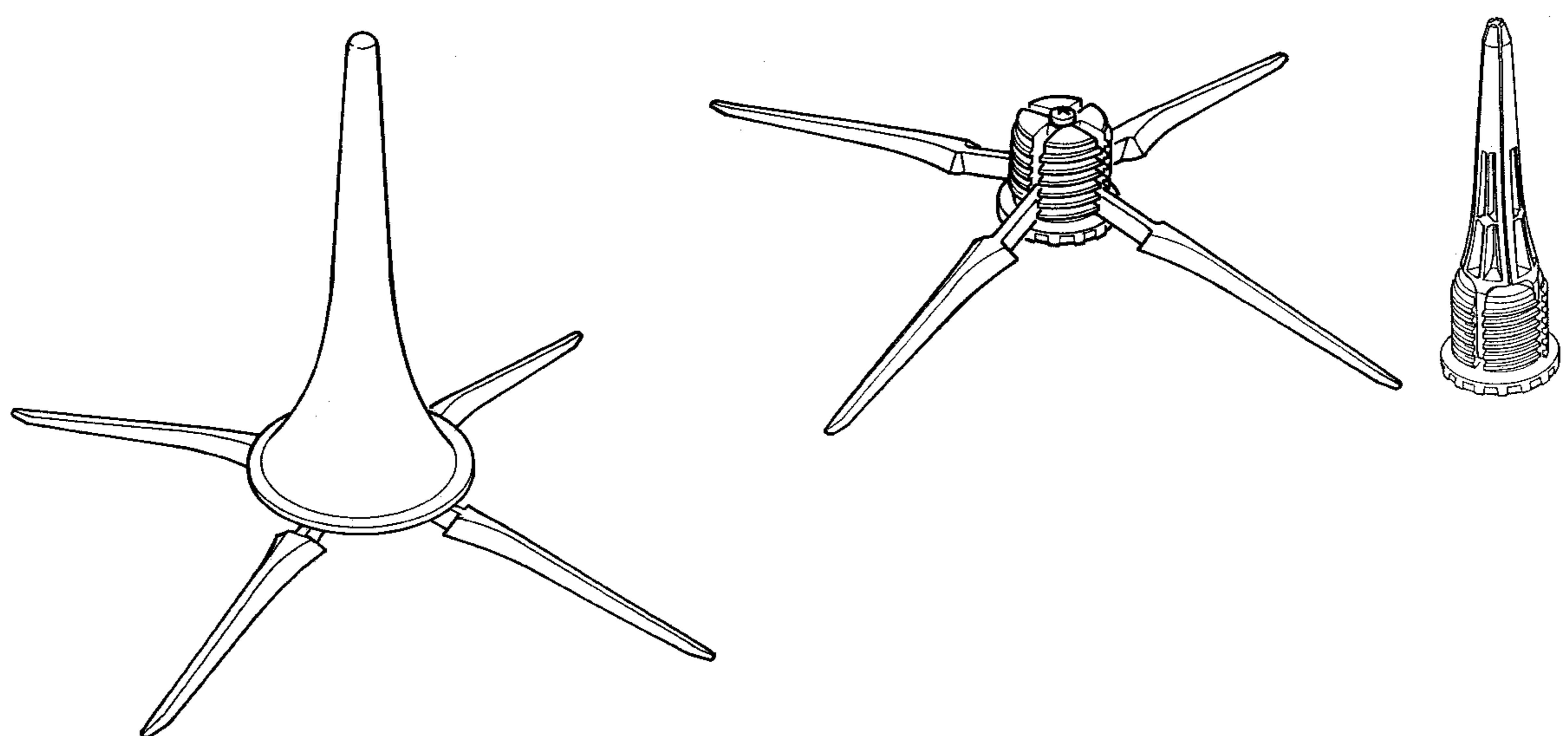
(57) **CLAIM**

The ornamental design for a rack for wind instruments, as shown and described.

DESCRIPTION

FIG. 1 is a prospective top view of a rack for wind instruments showing my new design;
 FIG. 2 is a side view thereof;
 FIG. 3 is a top view thereof;
 FIG. 4 is a bottom view thereof;
 FIG. 5 is a perspective top view thereof, shown with shaped top removed;
 FIG. 6 is a side view thereof, shown with shaped top removed;
 FIG. 7 is a top view thereof, shown with shaped top removed;
 FIG. 8 is a bottom view thereof, shown with shaped top removed;
 FIG. 9 is a perspective top view thereof, shown in a folded state; and,
 FIG. 10 is a side view thereof, shown in a folded state.

1 Claim, 10 Drawing Sheets



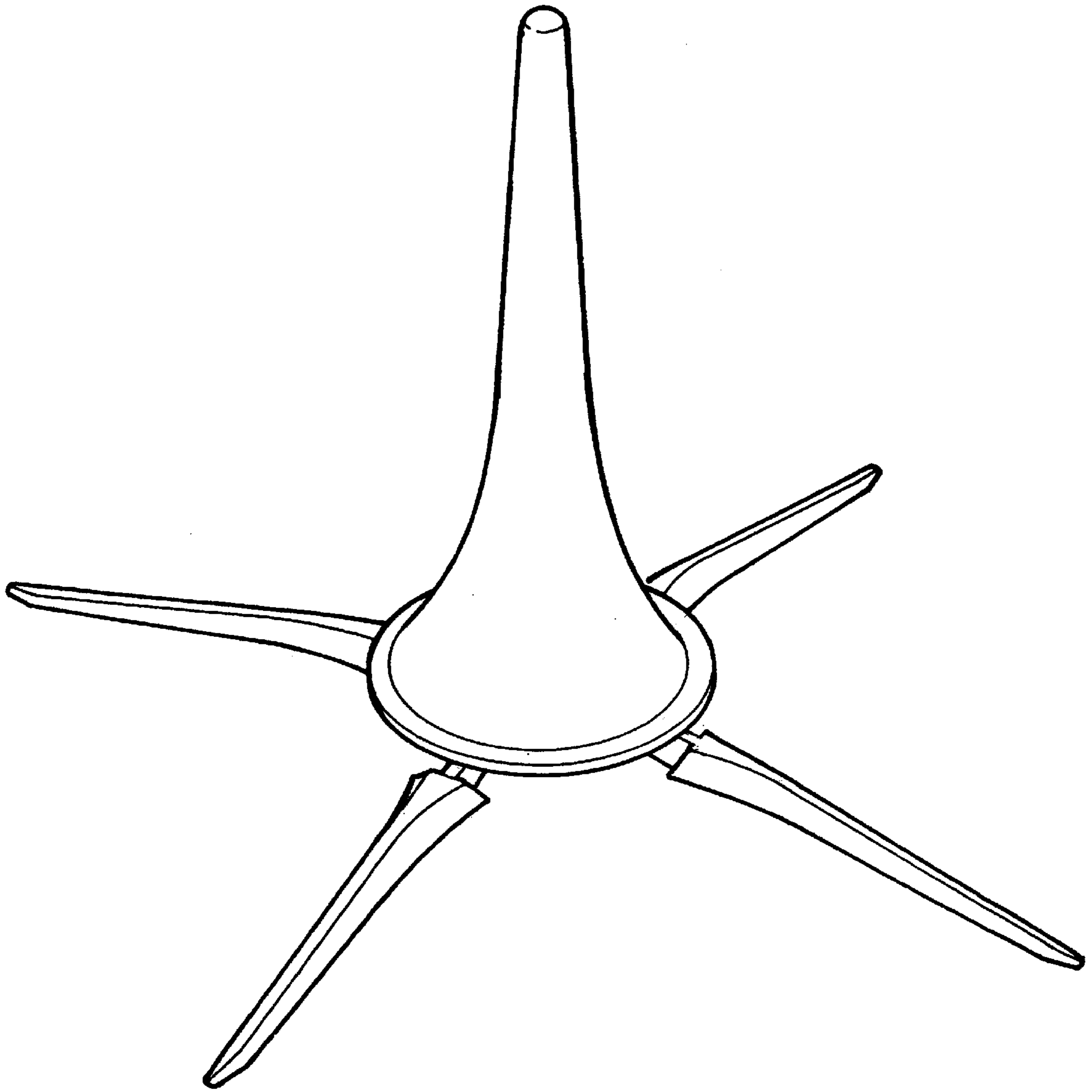


FIG. 1

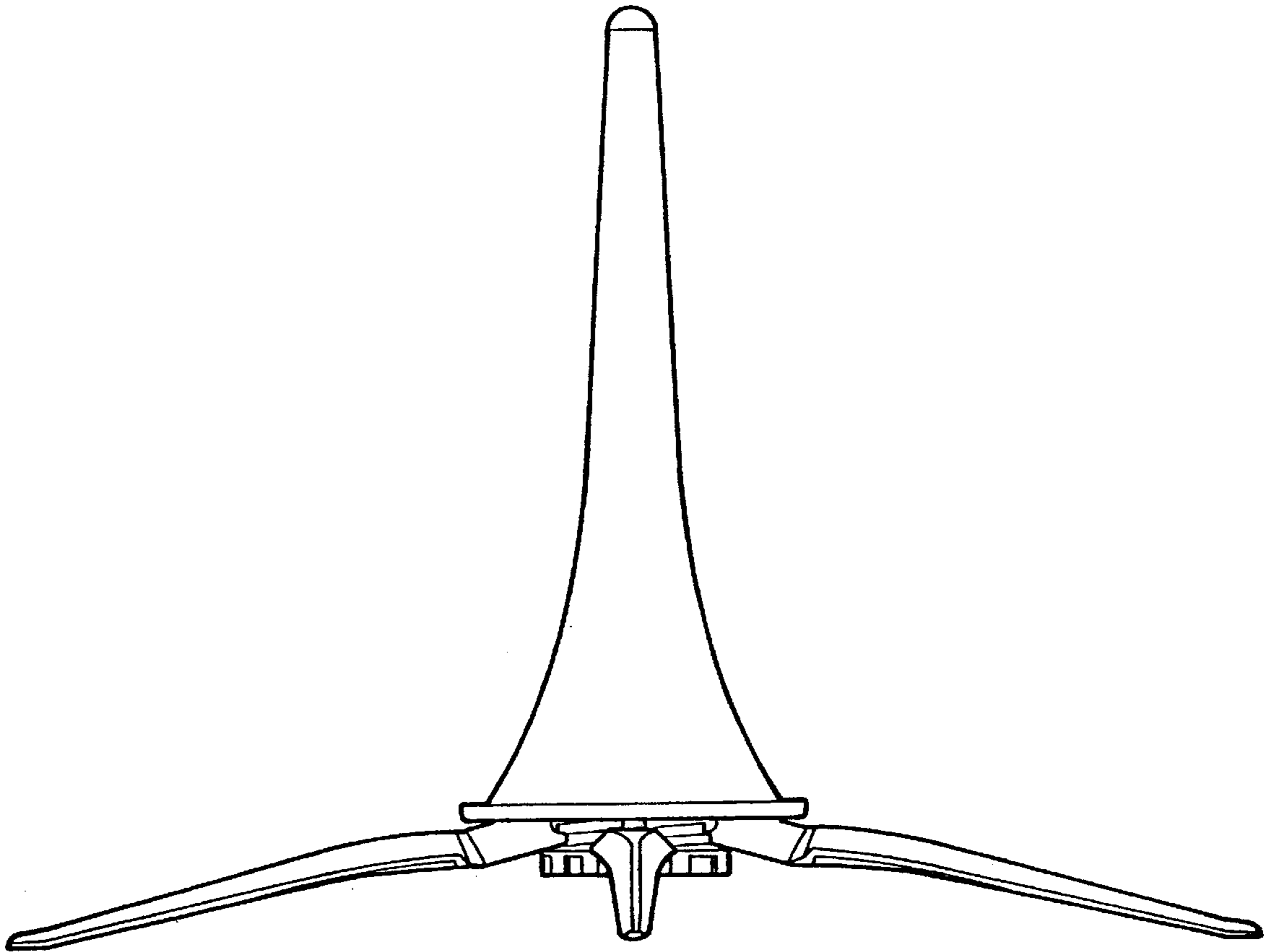


FIG. 2

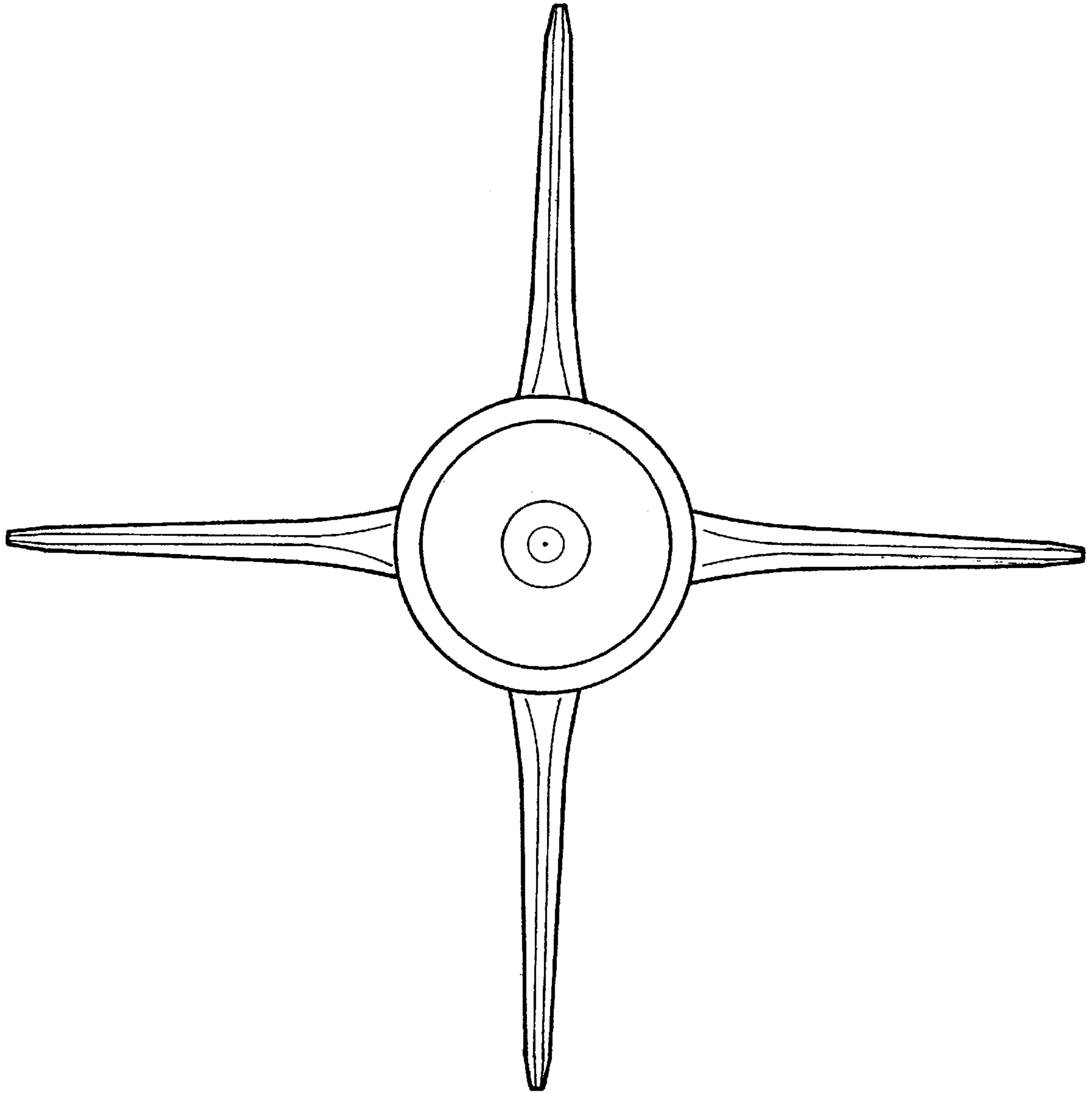


FIG. 3

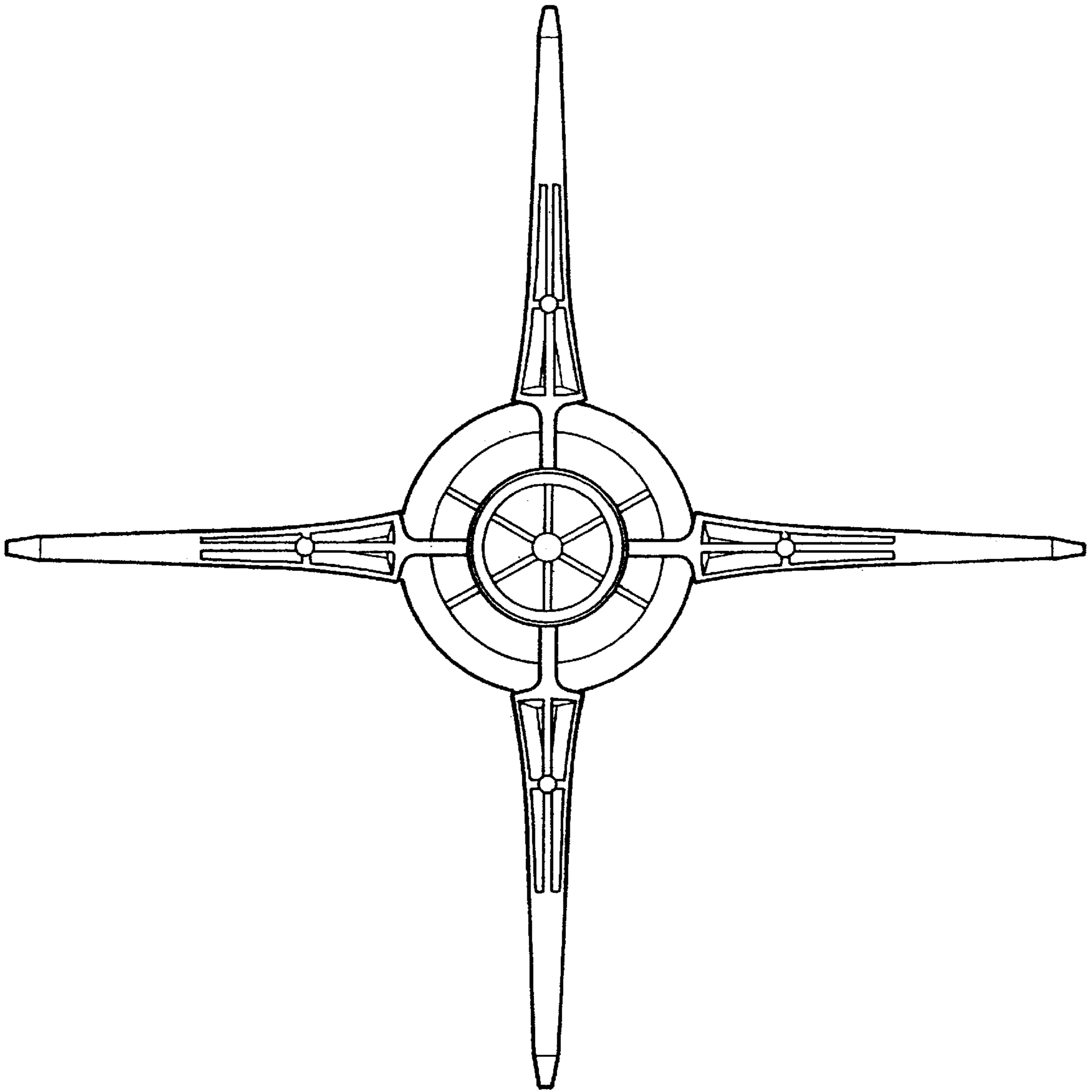


FIG. 4

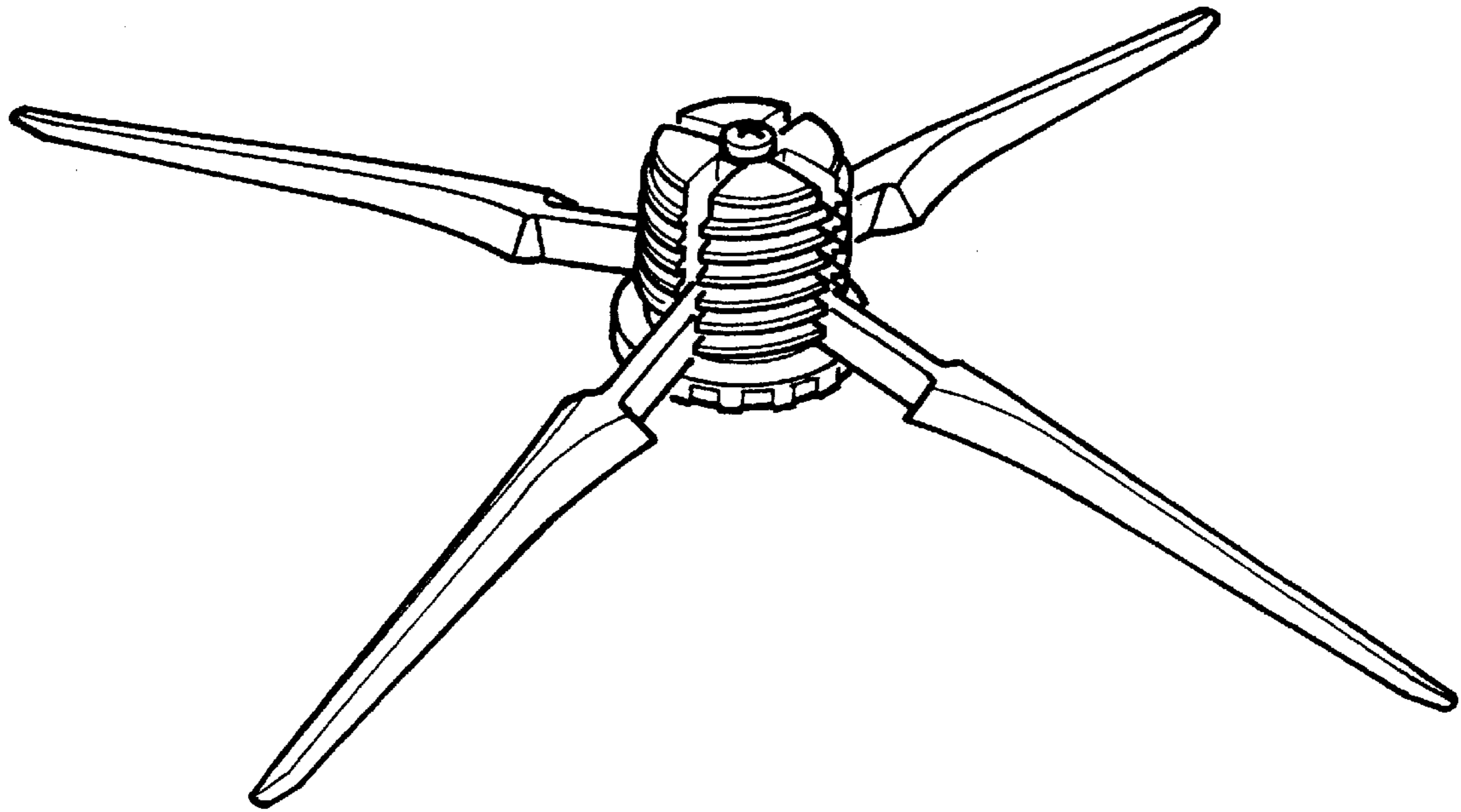


FIG. 5

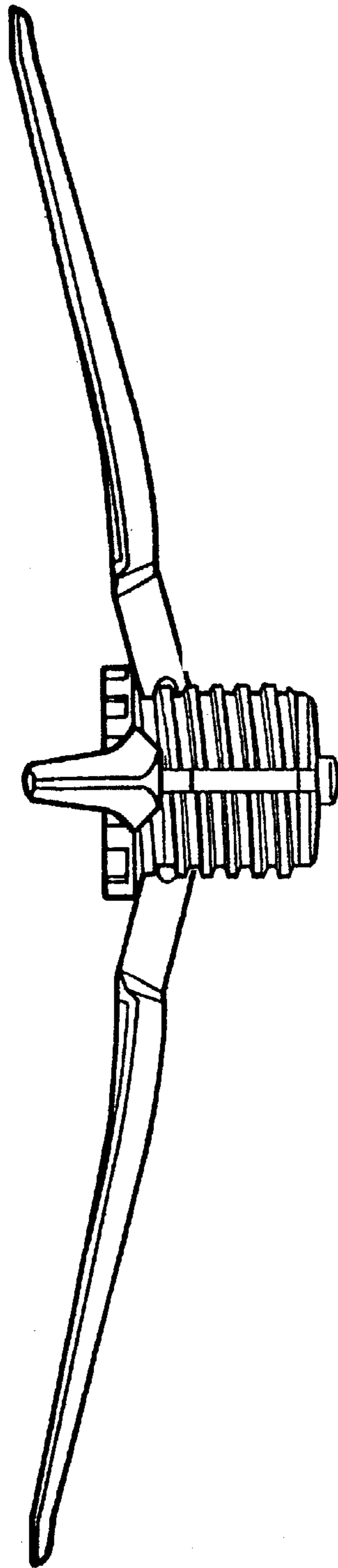


FIG. 6

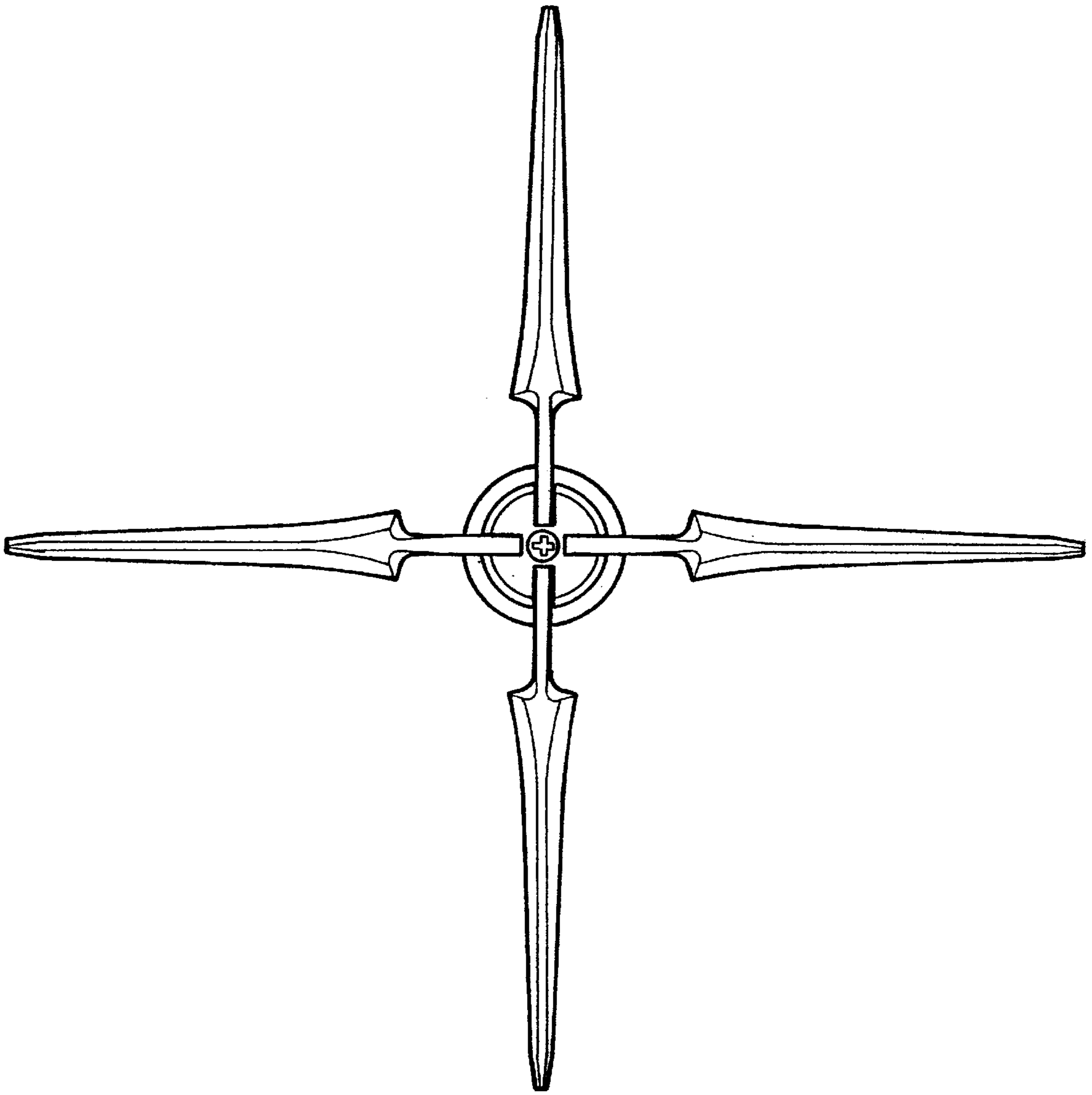


FIG. 7

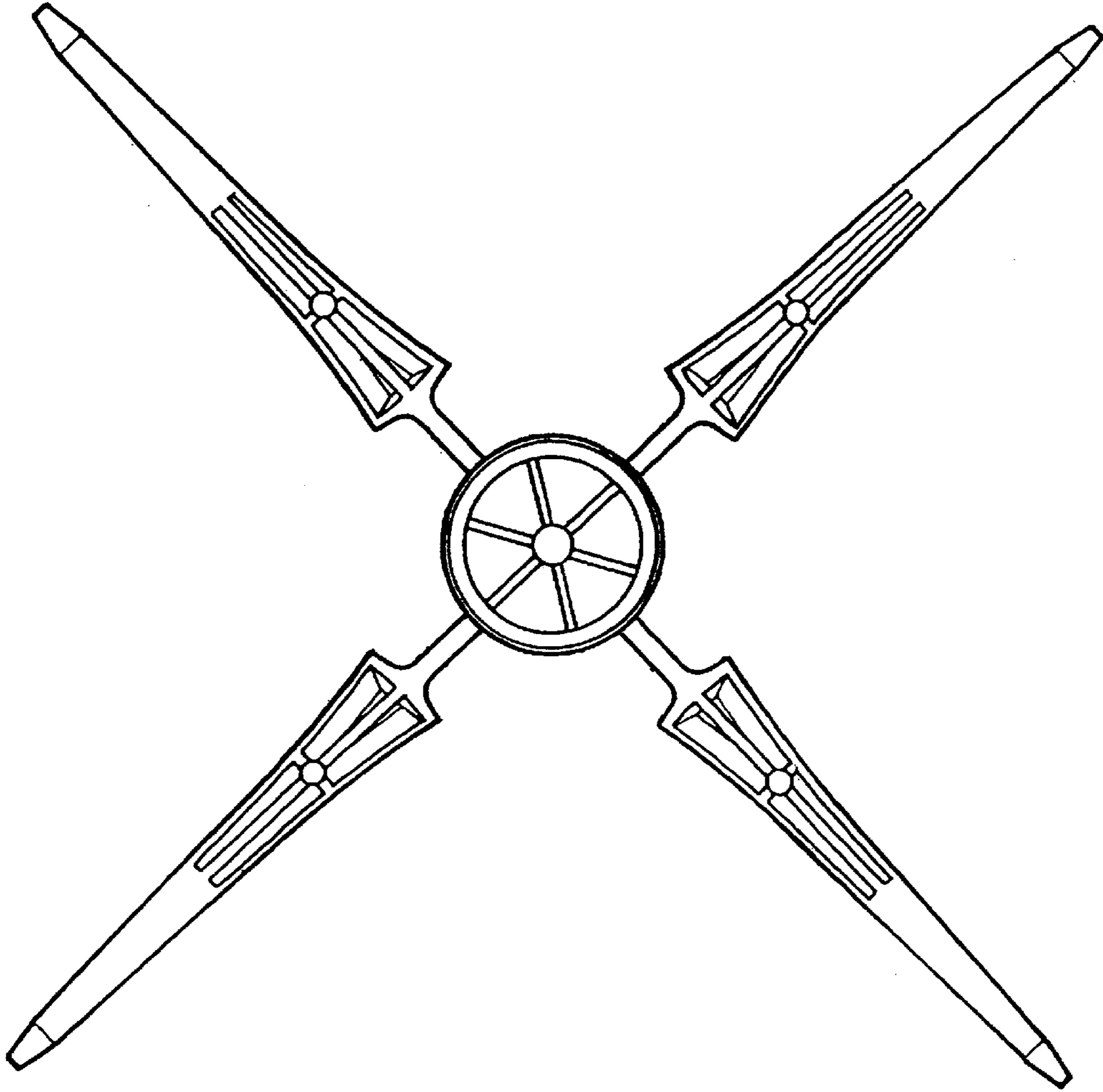


FIG. 8

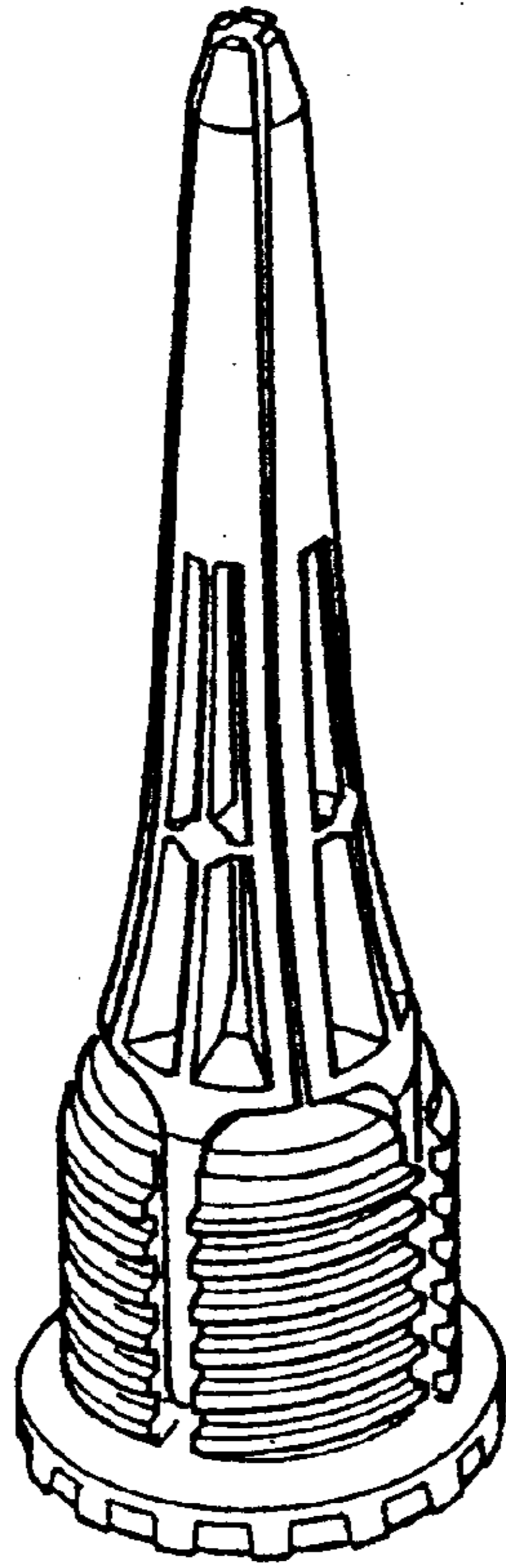


FIG. 9

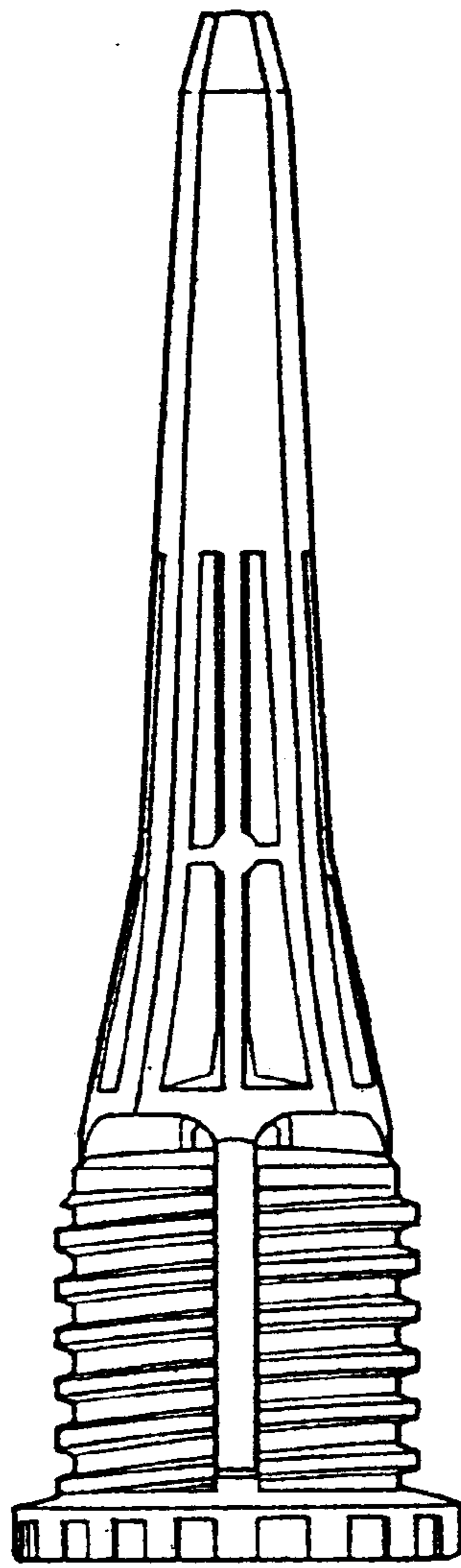


FIG. 10