



US00D469629S

(12) **United States Design Patent**  
**Shea**

(10) **Patent No.:** **US D469,629 S**

(45) **Date of Patent:** **\*\* Feb. 4, 2003**

(54) **MERCHANDISE DISPLAY**

(76) **Inventor:** **Thomas M. Shea**, 984 Livernois, Troy, MI (US) 48083

(\*\*) **Term:** **14 Years**

(21) **Appl. No.:** **29/154,370**

(22) **Filed:** **Jan. 22, 2002**

(51) **LOC (7) Cl.** ..... **06-04**

(52) **U.S. Cl.** ..... **D6/465**

(58) **Field of Search** ..... D6/396, 410, 411,  
D6/449, 455, 457, 458, 461, 462, 465,  
553, 566, 525; 211/13.1, 85.4, 90.03, 106,  
181.1

(56) **References Cited**

**U.S. PATENT DOCUMENTS**

3,789,996 A	*	2/1974	Stroh	.....	211/119
3,915,097 A		10/1975	Young, Jr.	.....	108/6
4,387,811 A	*	6/1983	Ragir et al.	.....	211/119
4,852,838 A		8/1989	Field	.....	248/222.1
D318,349 S	*	7/1991	Nass	.....	D6/456 X
5,184,737 A		2/1993	Hardy	.....	211/55
D351,750 S	*	10/1994	Sweeney	.....	D6/525
D369,483 S	*	5/1996	Kandel	.....	D6/465

5,595,312 A		1/1997	Dardashti	.....	211/188
5,690,238 A		11/1997	Schmeh	.....	211/106
5,921,410 A		7/1999	Emery et al.	.....	211/88.01
D429,938 S	*	8/2000	Allen	.....	D6/566
6,155,435 A		12/2000	Malik	.....	211/41.12
6,299,001 B1		10/2001	Frolov et al.	.....	211/106
6,386,379 B1	*	5/2002	Battaglia	.....	211/106

\* cited by examiner

*Primary Examiner*—Cathron C. Brooks

(74) *Attorney, Agent, or Firm*—Gifford, Krass, Groh, Sprinkle, Anderson & Citkowski, P.C.

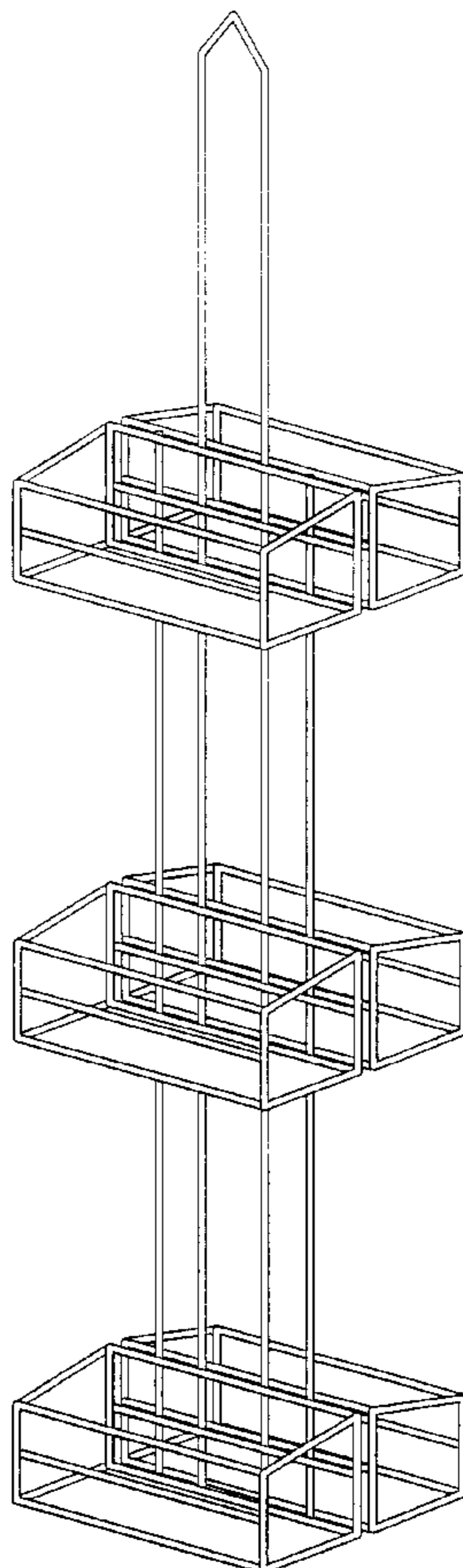
(57) **CLAIM**

The ornamental design for a merchandise display, as shown and described.

**DESCRIPTION**

FIG. 1 is a perspective view of the merchandise display of the present design;  
FIG. 2 is right side view of the present design, a corresponding left side view being a mirror image thereof;  
FIG. 3 is a front view of the present design, a corresponding rear view being a mirror image thereof;  
FIG. 4 is a top elevational view of the present design; and,  
FIG. 5 is a bottom elevational view of the present design.

**1 Claim, 2 Drawing Sheets**



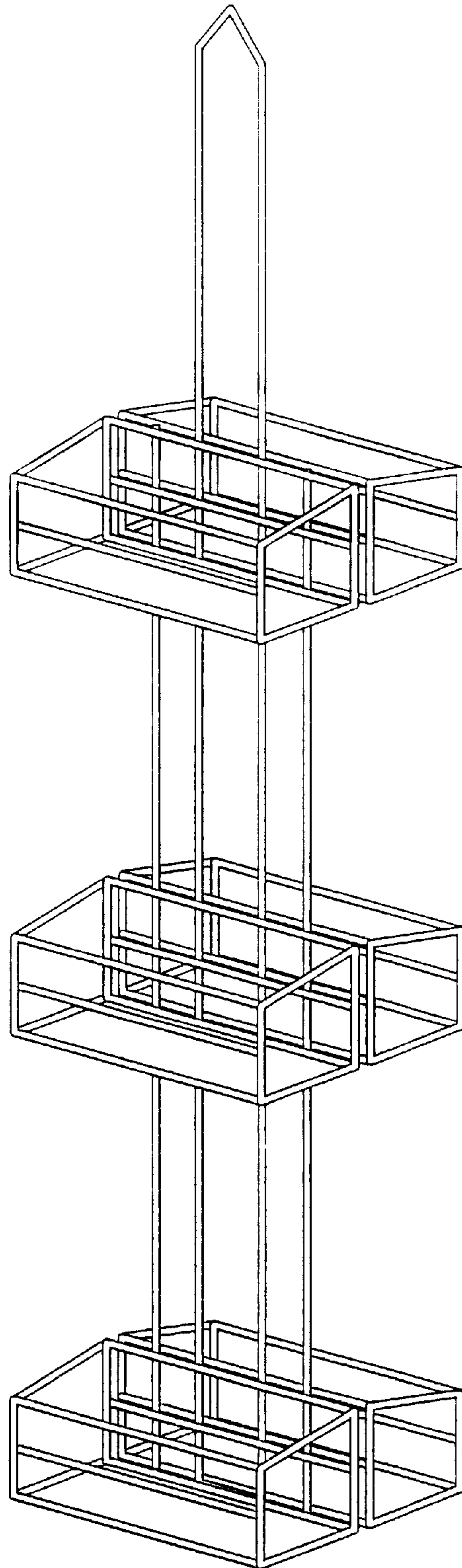


Fig-1

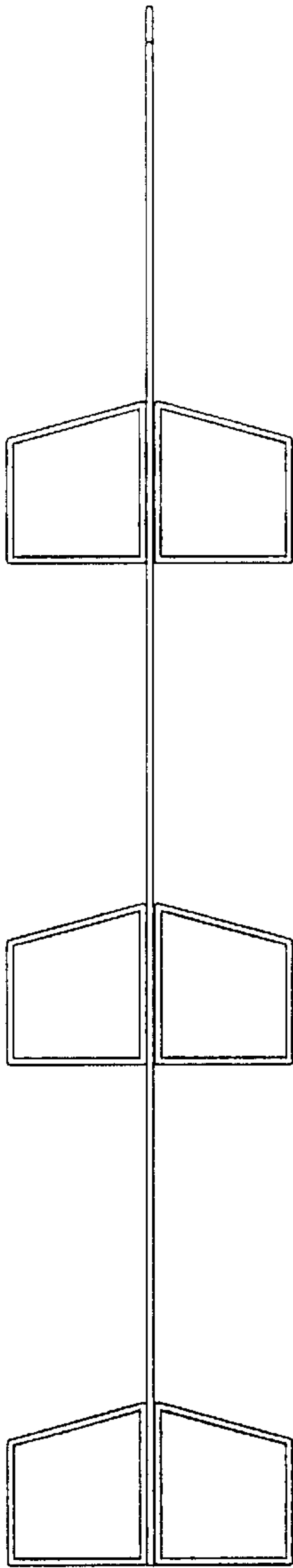


Fig-2

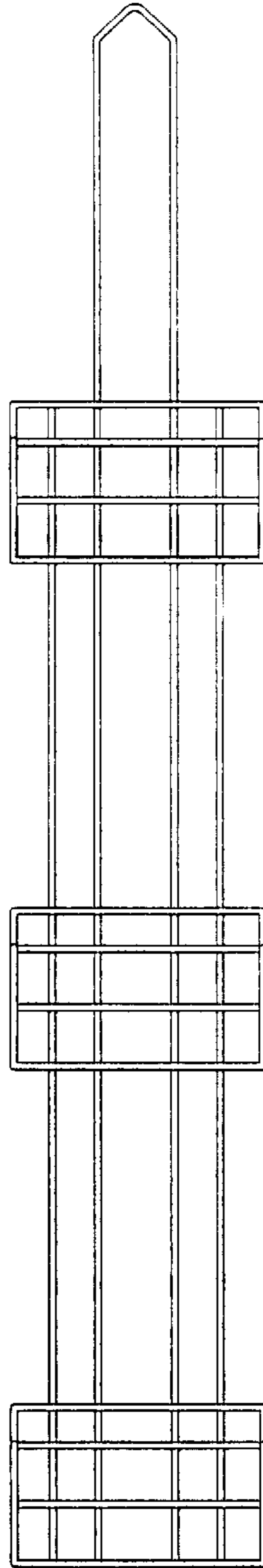


Fig-3

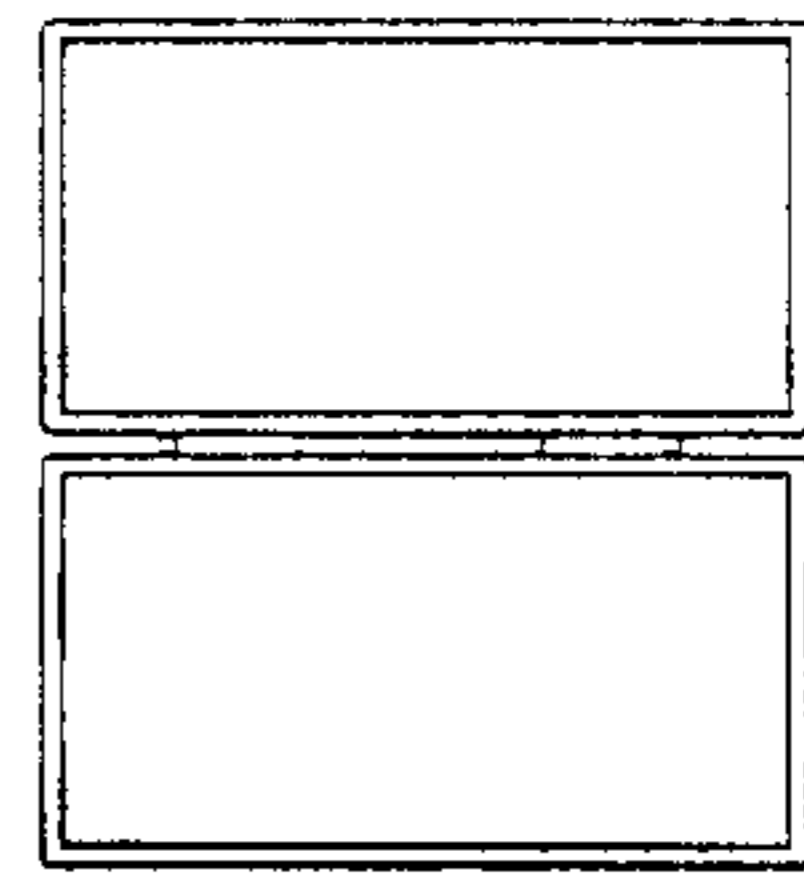


Fig-4

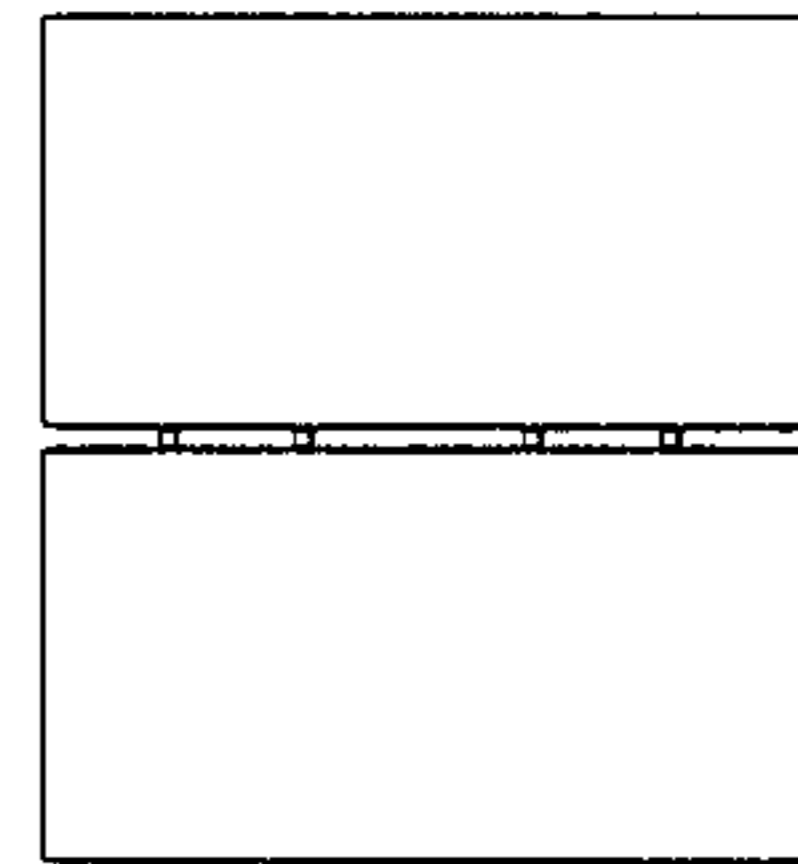


Fig-5