



US00D469628S

(12) **United States Design Patent**
Strohfus

(10) **Patent No.:** **US D469,628 S**

(45) **Date of Patent:** **** Feb. 4, 2003**

(54) **GOLF BALL DISPLAY**

(76) **Inventor:** **Todd A. Strohfus**, 534 Roland Hills Dr., Mogadore, OH (US) 44260

(**) **Term:** **14 Years**

(21) **Appl. No.:** **29/154,420**

(22) **Filed:** **Jan. 21, 2002**

(51) **LOC (7) Cl.** **06-04**

(52) **U.S. Cl.** **D6/450**

(58) **Field of Search** D6/450, 303; D11/157; 312/204

(56) **References Cited**

U.S. PATENT DOCUMENTS

D275,468 S	*	9/1984	Grant	D11/157
D340,367 S		10/1993	Mansson	D6/404
D354,642 S		1/1995	Stoddard et al.	D6/450
D355,995 S	*	3/1995	Stoddard et al.	D6/450
D411,715 S		6/1999	Hansen	D7/606
D419,387 S		1/2000	Hansen	D7/606

D419,388 S 1/2000 Hansen D7/606

D433,066 S * 10/2000 Porter D6/450 X

6,212,811 B1 * 4/2001 Jones D6/303 X

* cited by examiner

Primary Examiner—Cathron C. Brooks

(74) *Attorney, Agent, or Firm*—Renner, Kenner, Greive, Bobak, Taylor & Weber

(57) **CLAIM**

The ornamental design for golf ball display, as shown and described.

DESCRIPTION

FIG. 1 is a right side elevational view of the golf ball display;

FIG. 2 is a front elevational view of the golf ball display;

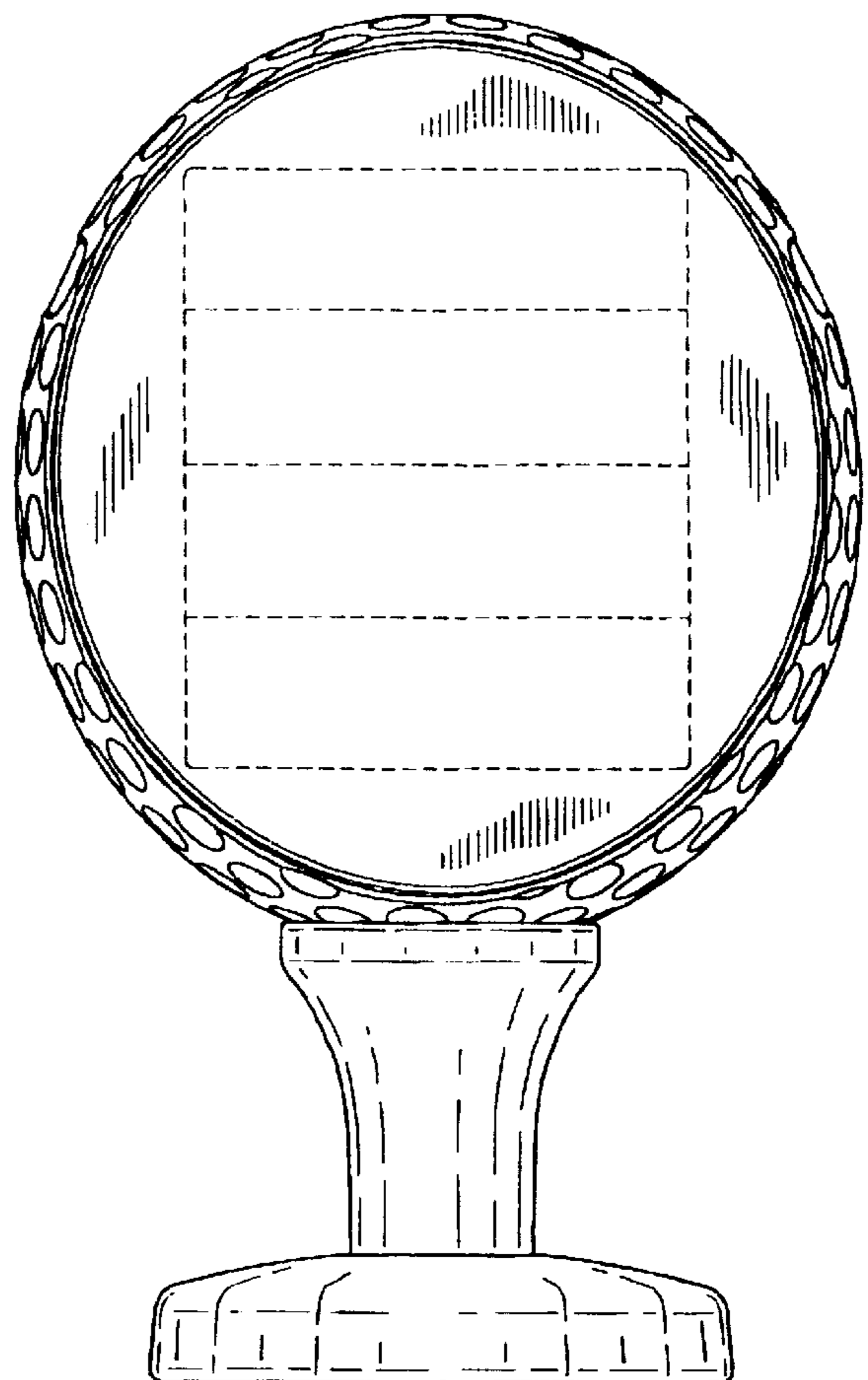
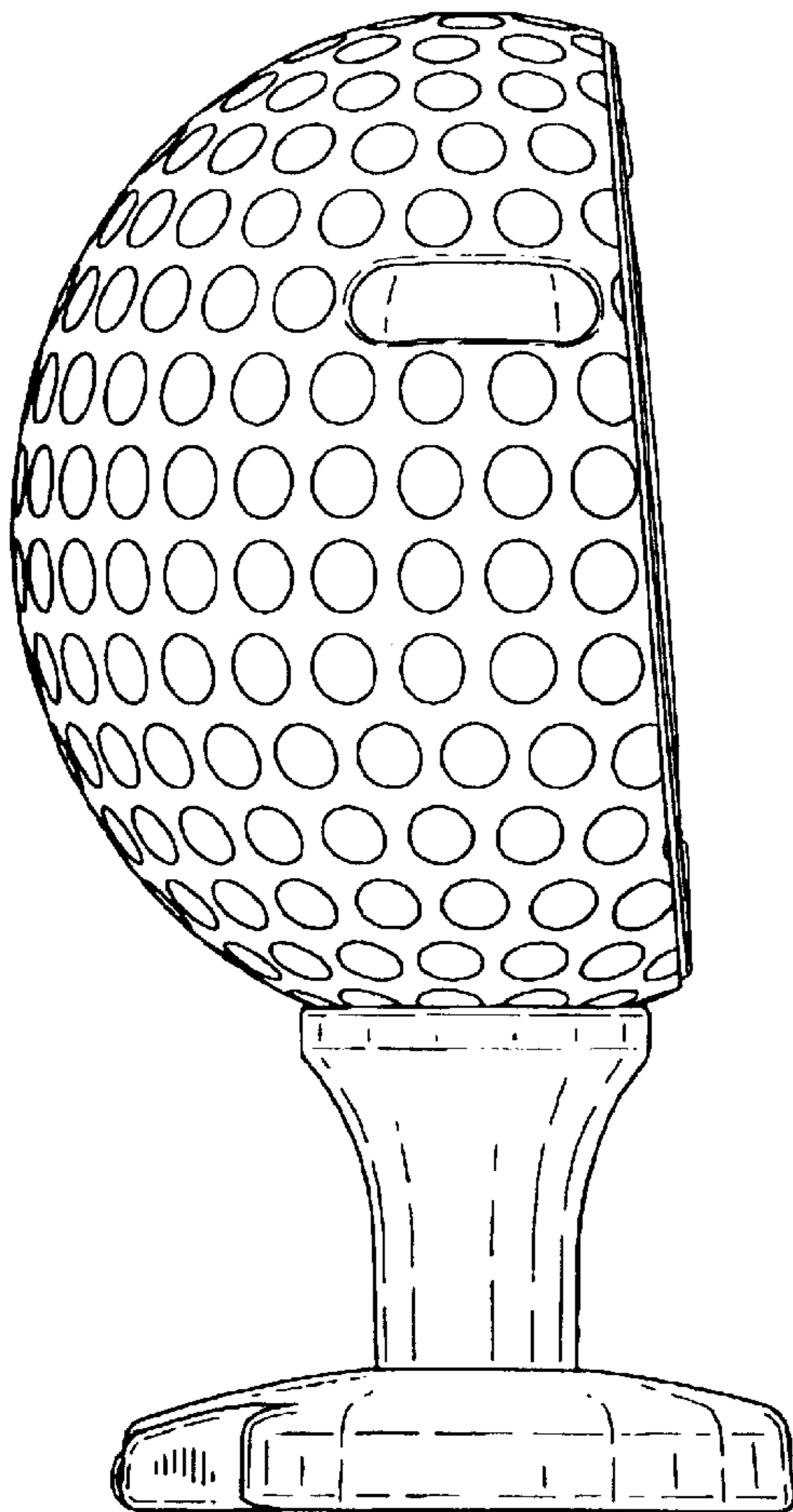
FIG. 3 is a left side elevational view of the golf ball display;

FIG. 4 is a rear elevational view of the golf ball display;

FIG. 5 is a bottom plan view of the golf ball display; and,

FIG. 6 is a top plan view of the golf ball display.

1 Claim, 3 Drawing Sheets



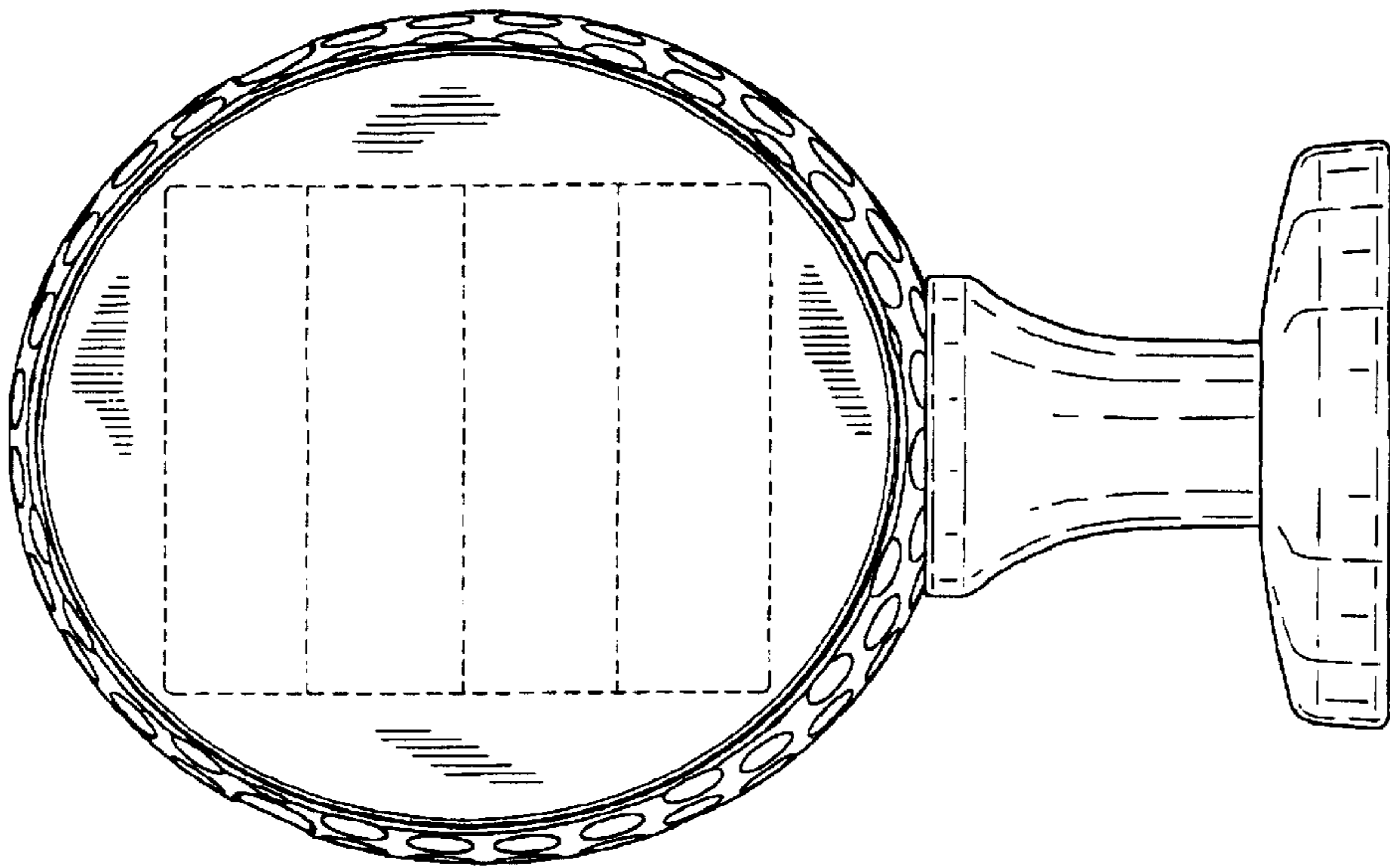


FIG-2

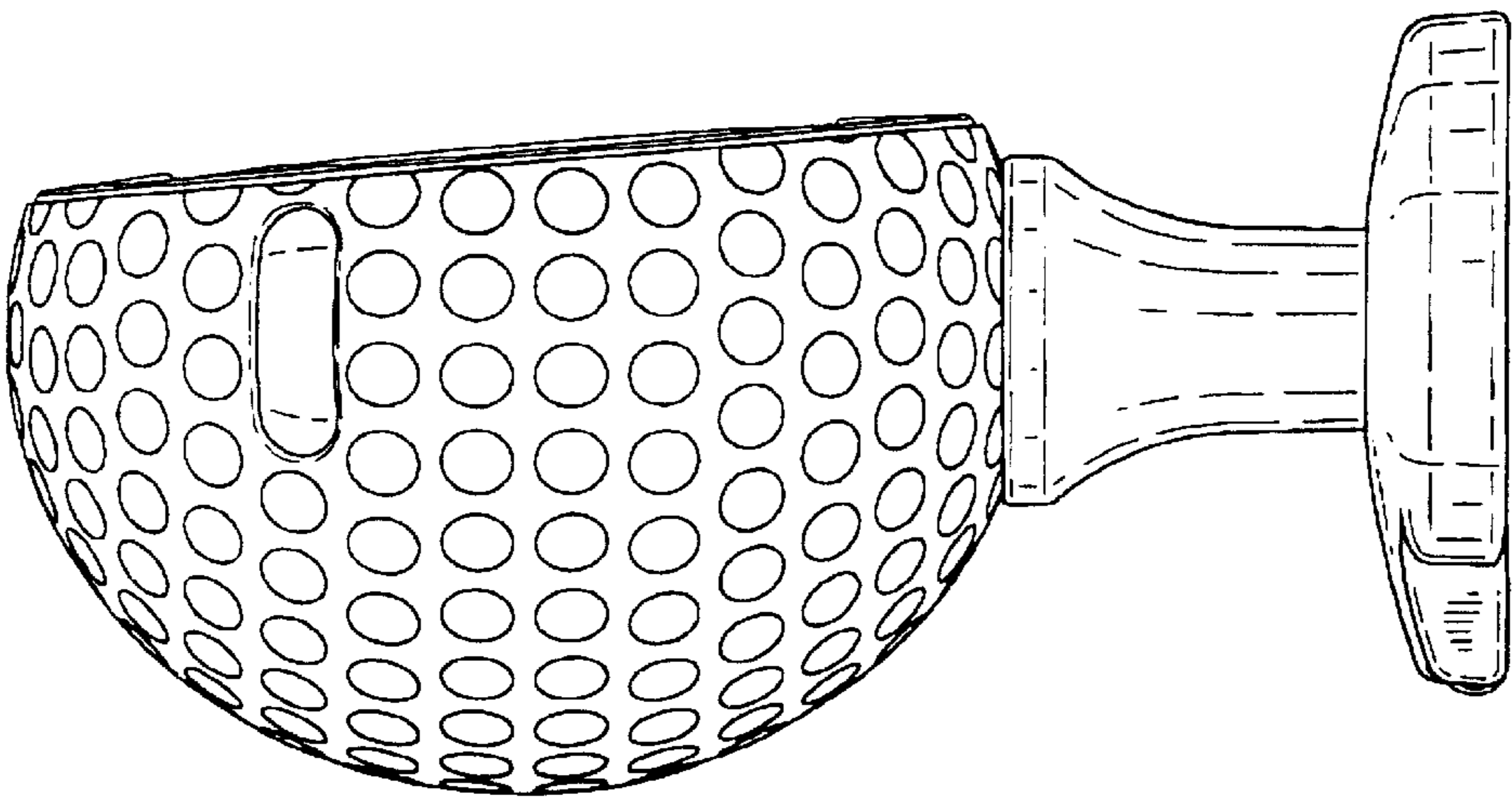


FIG-1

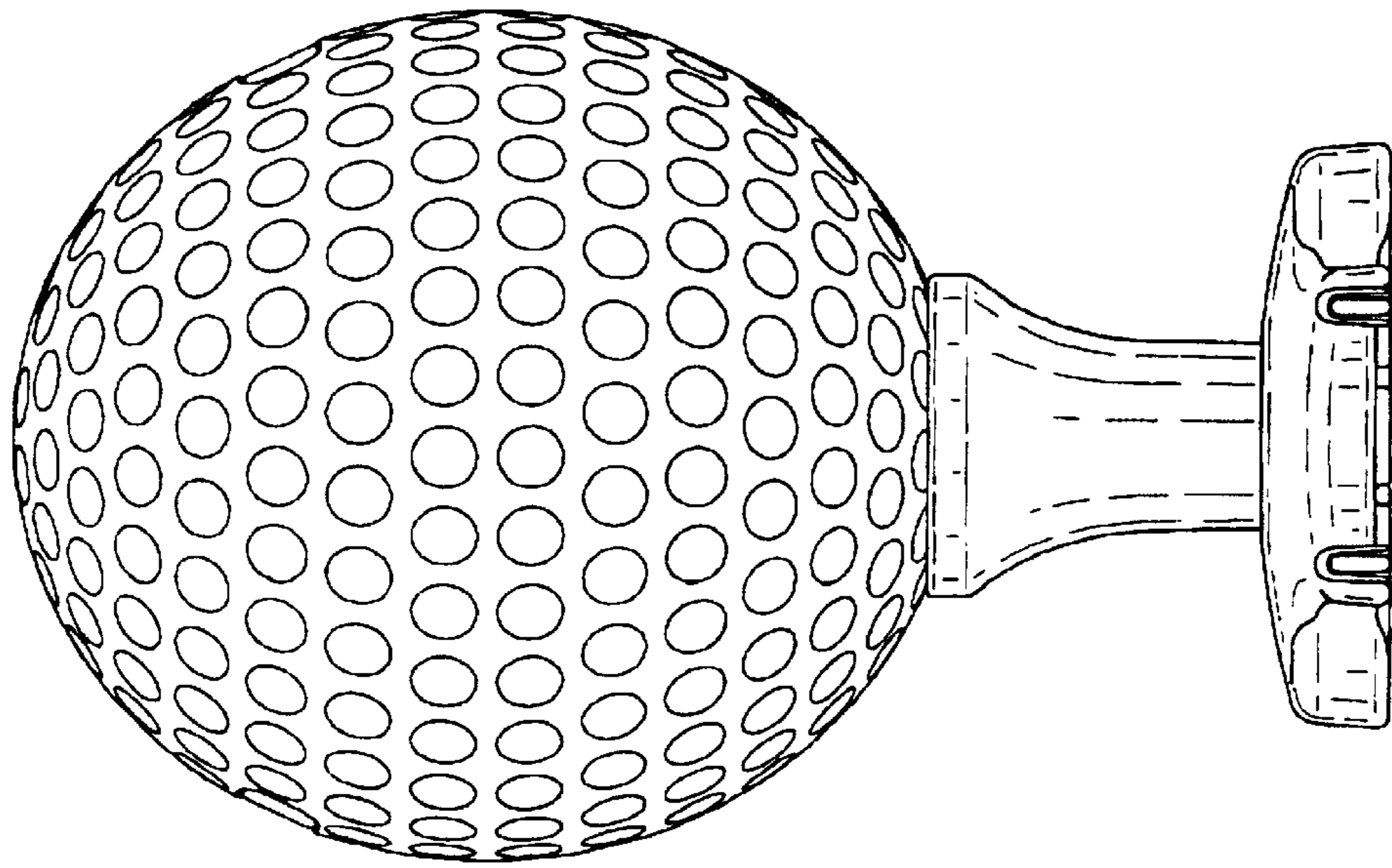


FIG-4

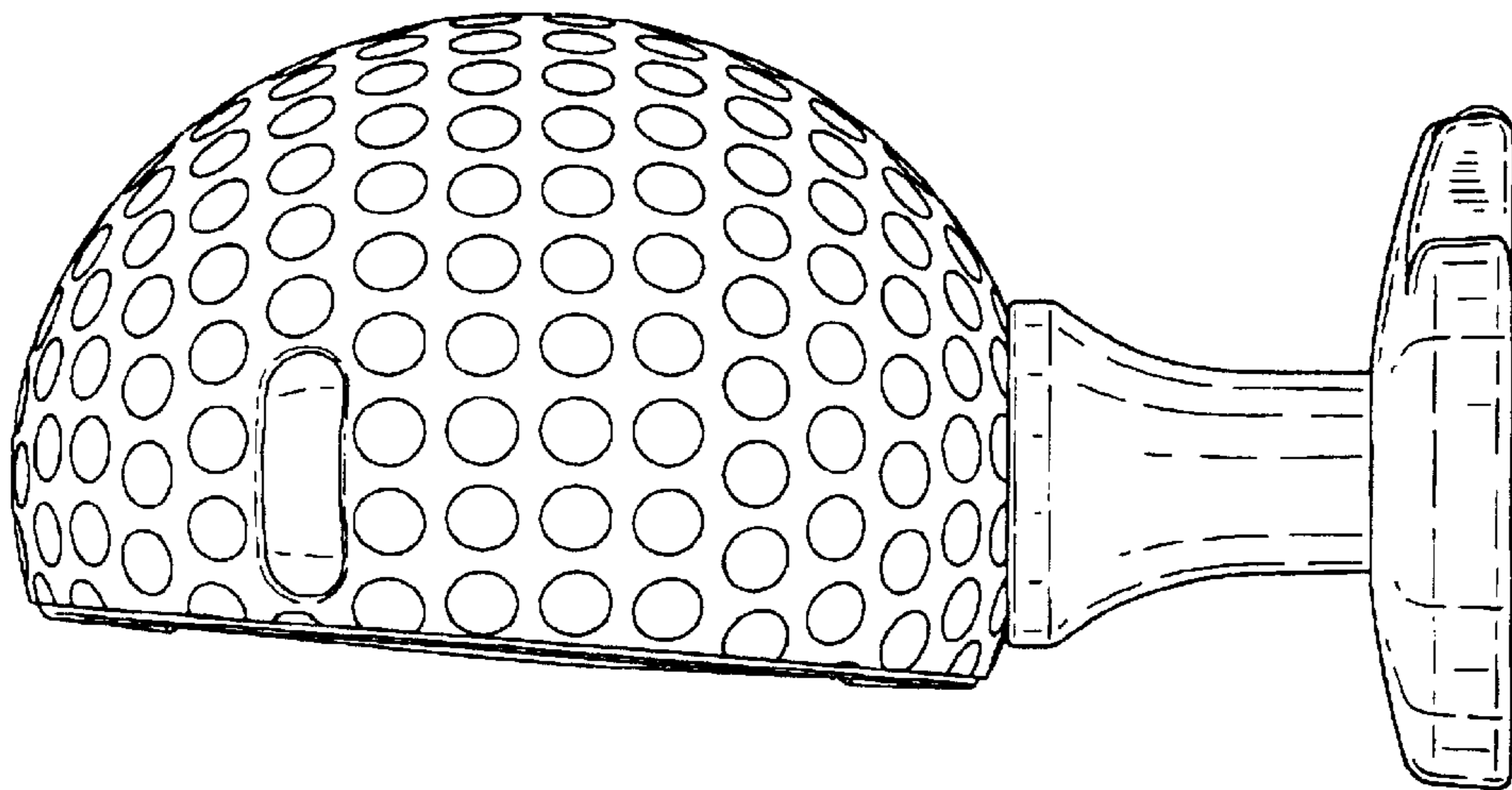


FIG-3

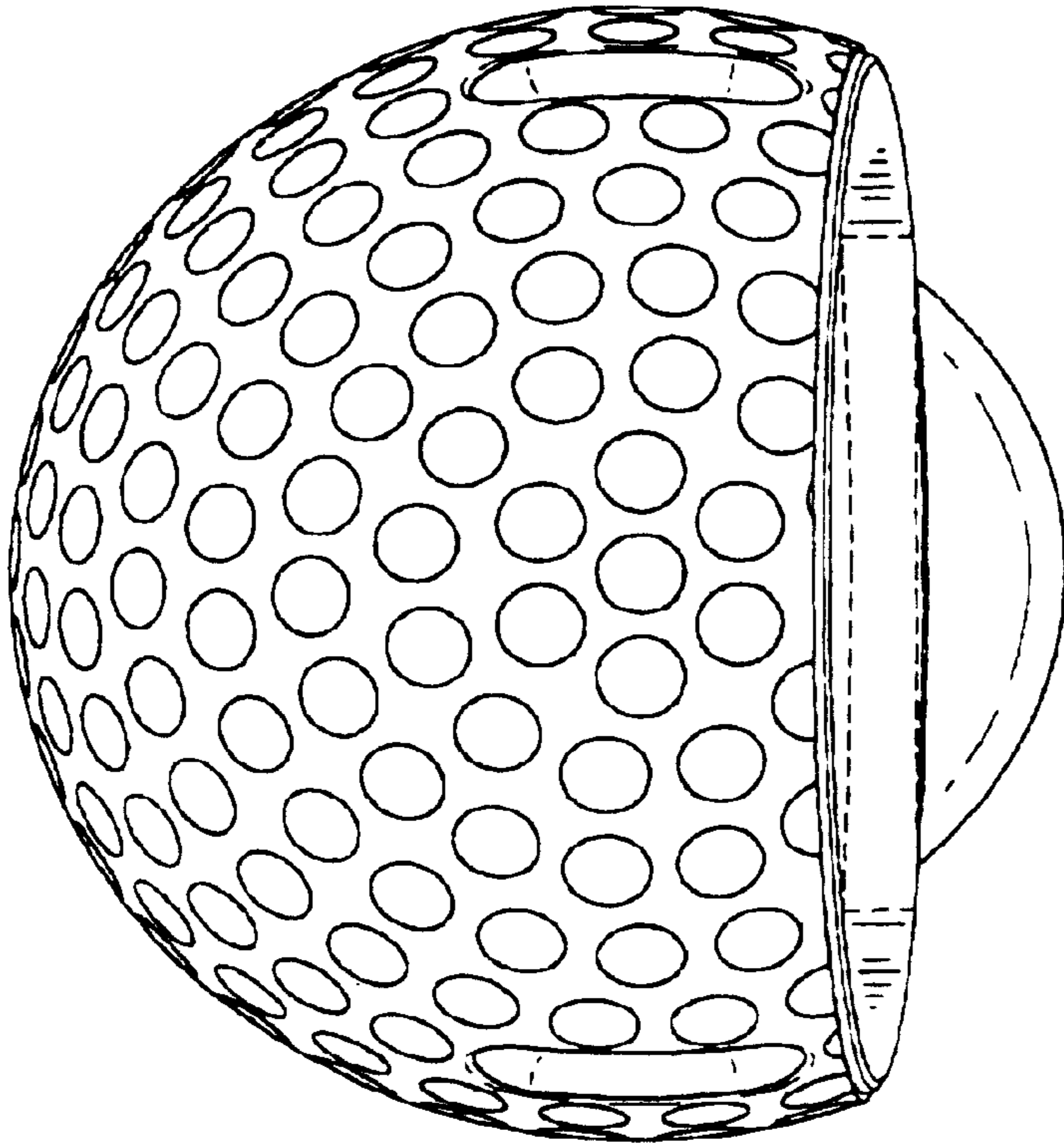


FIG-6

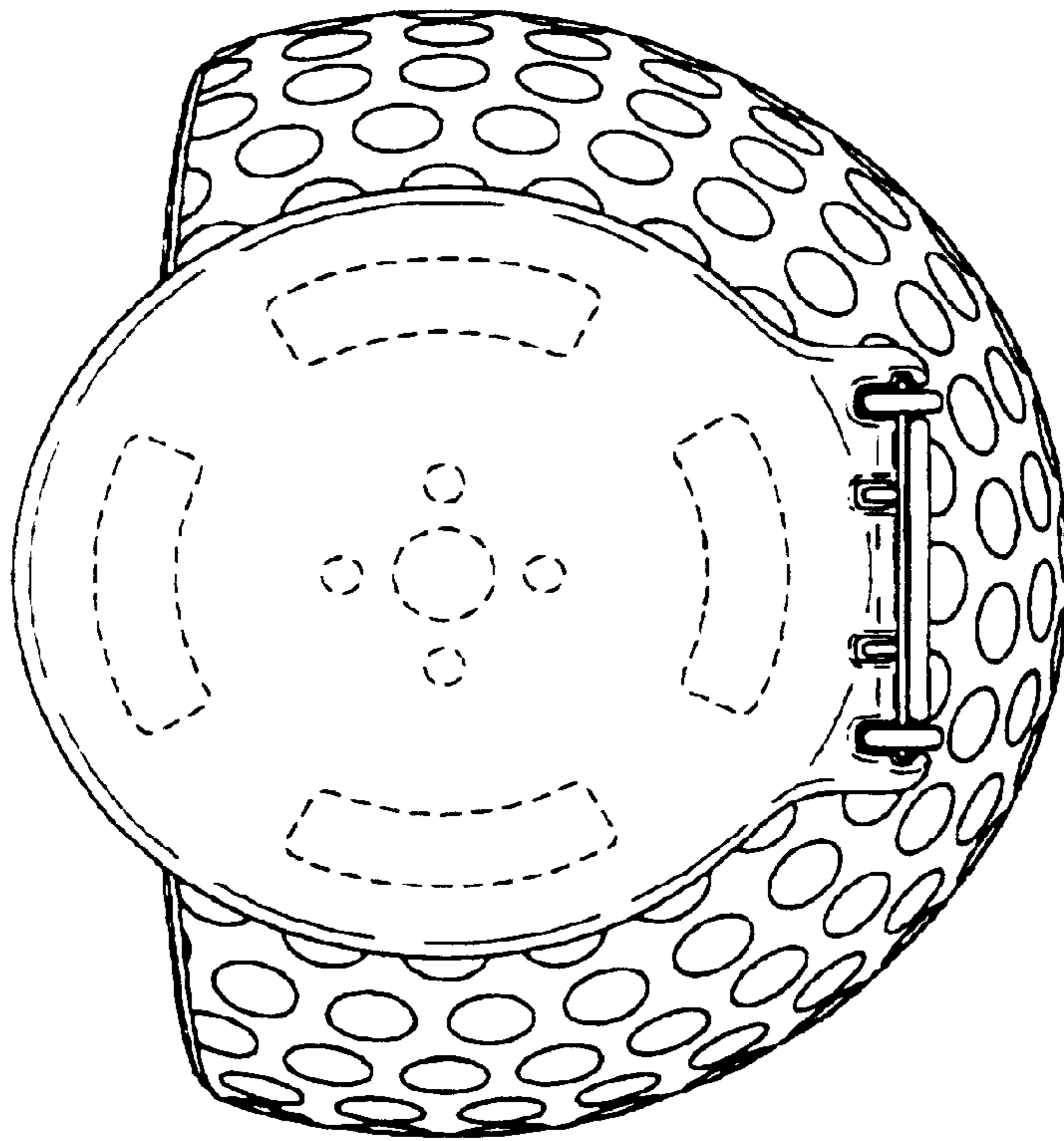


FIG-5