



US00D469618S

(12) **United States Design Patent**
Nagamitsu

(10) **Patent No.: US D469,618 S**

(45) **Date of Patent: ** Feb. 4, 2003**

(54) **CHAIR**

(75) Inventor: **Satoshi Nagamitsu**, Higashiyamoto (JP)

(73) Assignee: **Okamura Corporation**, Kanagawa-ken (JP)

(**) Term: **14 Years**

(21) Appl. No.: **29/140,828**

(22) Filed: **Apr. 24, 2001**

(30) **Foreign Application Priority Data**

Nov. 1, 2000 (JP) 2000-031203

(51) **LOC (7) Cl. 06-01**

(52) **U.S. Cl. D6/366**

(58) **Field of Search** D6/334, 364, 365,
D6/366, 367, 500, 501, 502; 297/411.2,
411.27, 411.36

(56) **References Cited**

U.S. PATENT DOCUMENTS

D312,536 S	*	12/1990	Muller-Deisig et al.	D6/366
D337,666 S		7/1993	Peterson et al.	D6/366
D349,621 S		8/1994	Wilson	D6/501
D354,178 S		1/1995	Ochsner	D6/366
D355,303 S		2/1995	Scheper et al.	D6/366
D357,130 S	*	4/1995	Schultz	D6/366
5,405,190 A		4/1995	Jeffcoat et al.	297/391
D358,064 S		5/1995	Larkin	D6/366
D358,944 S		6/1995	Citterio	D6/366
5,452,939 A		9/1995	Kupisz et al.	297/391
D363,383 S	*	10/1995	Cronk	D6/366
D367,980 S		3/1996	Hodge et al.	D6/500
D372,799 S		8/1996	Orians et al.	D6/366
D373,695 S	*	9/1996	Buffon	D6/500
D379,408 S		5/1997	Feldberg	D6/366
D379,567 S		6/1997	Grivet	D6/500
D395,762 S		7/1998	Saul	D6/366
D397,258 S	*	8/1998	Heyder et al.	D6/366
D403,520 S	*	1/1999	Wilson	D6/366

D407,576 S		4/1999	Ritch et al.	D6/500
D408,181 S		4/1999	Ginat	D6/500
D410,151 S	*	5/1999	Chu	D6/366
D411,063 S		6/1999	Ginat	D6/500
5,934,755 A		8/1999	Halamish	297/410

(List continued on next page.)

OTHER PUBLICATIONS

Adjustable headrest, B, p. 7, Modern Office catalog, in office furniture box, in library, May 1997.

Satoshi Nagamitsu, Chair, Design Patent application Ser. No. 29/122,832, Filed May 4, 2000, (10 pages).

Primary Examiner—Gary D. Watson

(74) *Attorney, Agent, or Firm*—Henricks, Slavin & Holmes LLP

(57) **CLAIM**

The ornamental design for a chair, as shown and described.

DESCRIPTION

Cross Reference to Related Applications

This application is related to concurrently filed design applications, Ser. Nos. 29/140,827 and 29/140,830.

FIG. 1 is a front elevational view of a chair showing my new design;

FIG. 2 is a top plan view thereof;

FIG. 3 is a rear elevational view thereof;

FIG. 4 is a bottom plan view thereof;

FIG. 5 is a right side elevational view thereof;

FIG. 6 is a vertical sectional right side view taken along the line 6—6 FIG. 1;

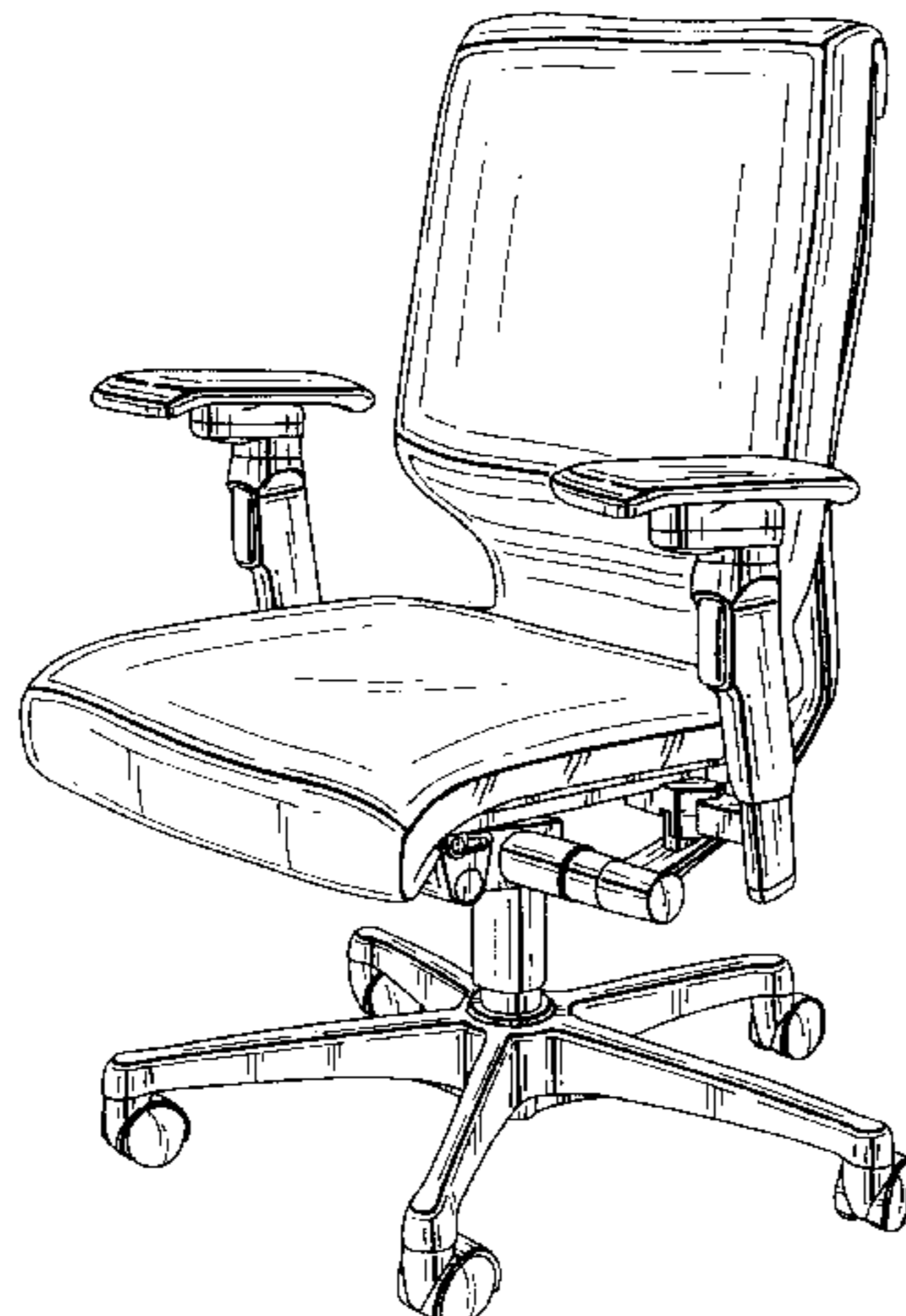
FIG. 7 is a horizontal sectional plan view taken along the line 7—7 in FIG. 1;

FIG. 8 is a vertical sectional front view taken along the line 8—8 in FIG. 2;

FIG. 9 is a front perspective view of the chair; and,

FIG. 10 is a rear perspective view thereof.

1 Claim, 6 Drawing Sheets



US D469,618 S

Page 2

U.S. PATENT DOCUMENTS

D414,349 S	9/1999	Jenkins et al.	D6/366	D429,422 S	*	8/2000	De Lucchi et al.	D6/366
D417,101 S	11/1999	DeSanta et al.	D6/500	D434,575 S	*	12/2000	Deacon	D6/366
D417,102 S	11/1999	Vanderwood et al.	D6/500	D436,259 S		1/2001	Nagamitsu	D6/366
D417,792 S	12/1999	Hansen et al.	D6/366	D436,260 S		1/2001	Nagamitsu	D6/366
D418,316 S	1/2000	Vogtherr	D6/366	D436,768 S	*	1/2001	Jenkins et al.	D6/500
D421,861 S	3/2000	Ginat	D6/500	D437,132 S		2/2001	Nagamitsu	D6/366
D422,802 S	4/2000	Deacon	D6/366	D444,309 S	*	7/2001	Nagamitsu	D6/366
6,074,010 A	6/2000	Takeda	297/391	D445,613 S	*	7/2001	Ginat	D6/500
6,076,892 A	6/2000	van Hekken et al. ...	297/411.35	6,296,312 B1	*	10/2001	Congleton et al.	297/411.36
6,086,153 A	7/2000	Heidmann et al.	297/300.1					

* cited by examiner

FIG. 1

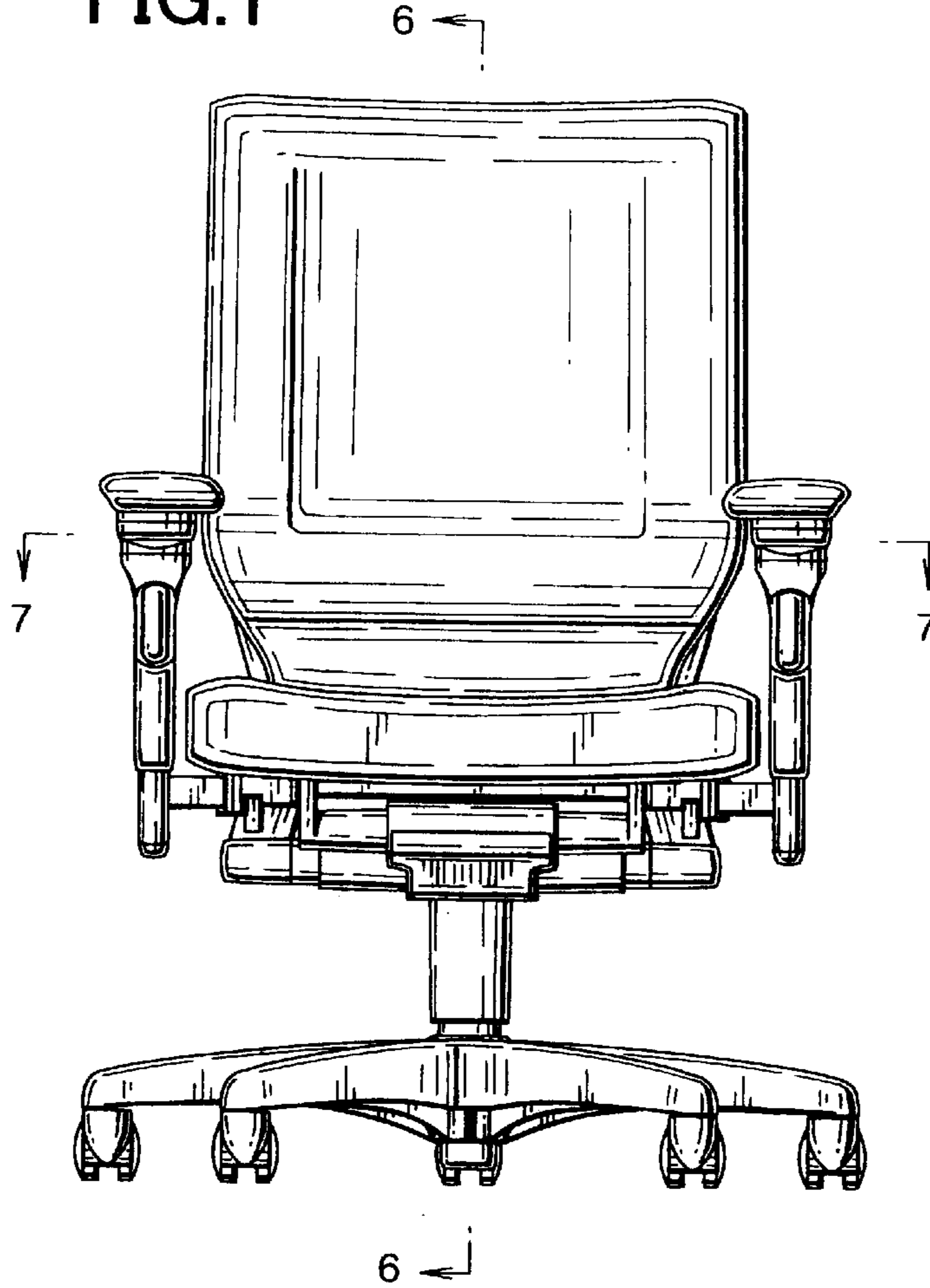


FIG. 2

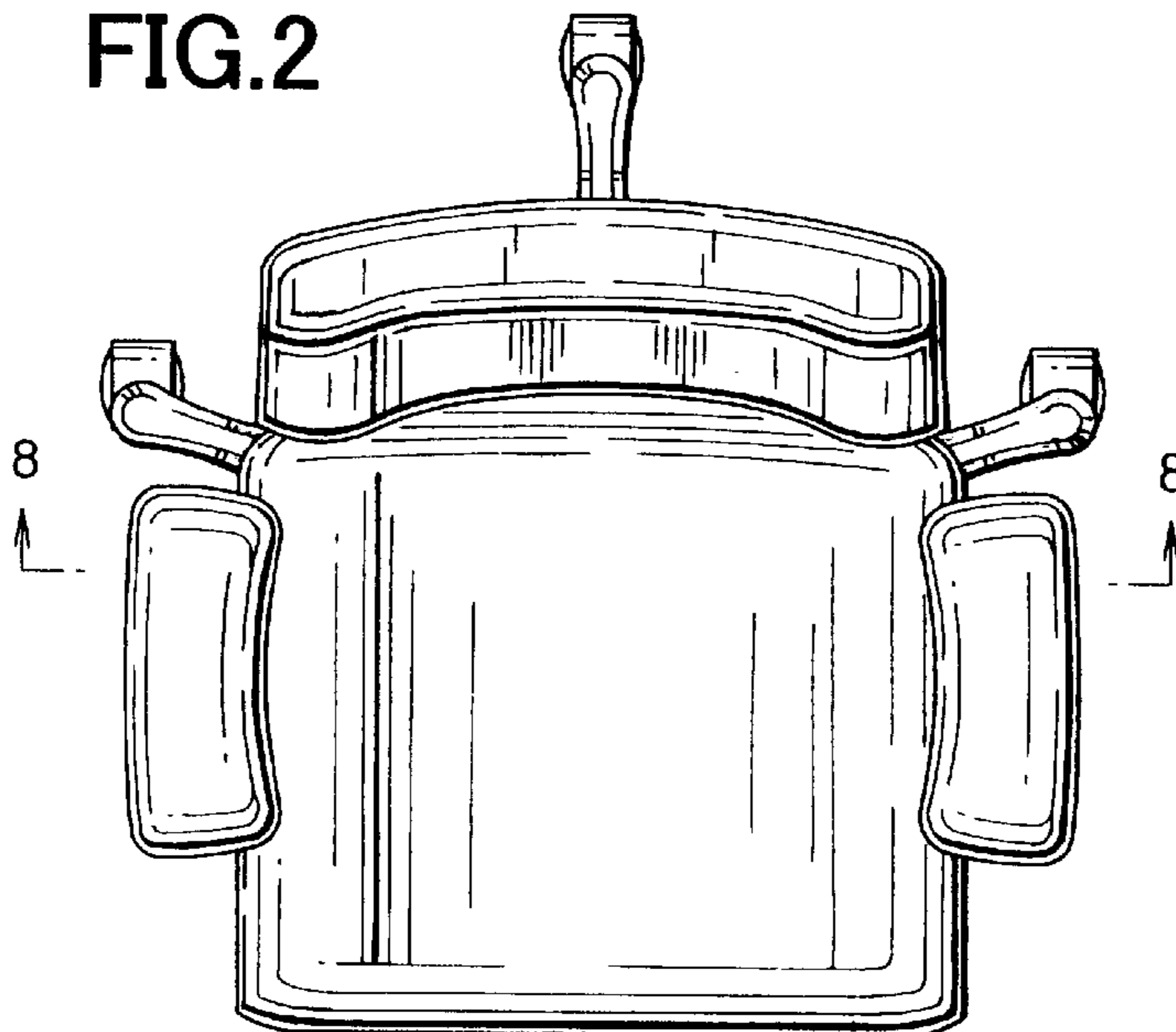


FIG.3

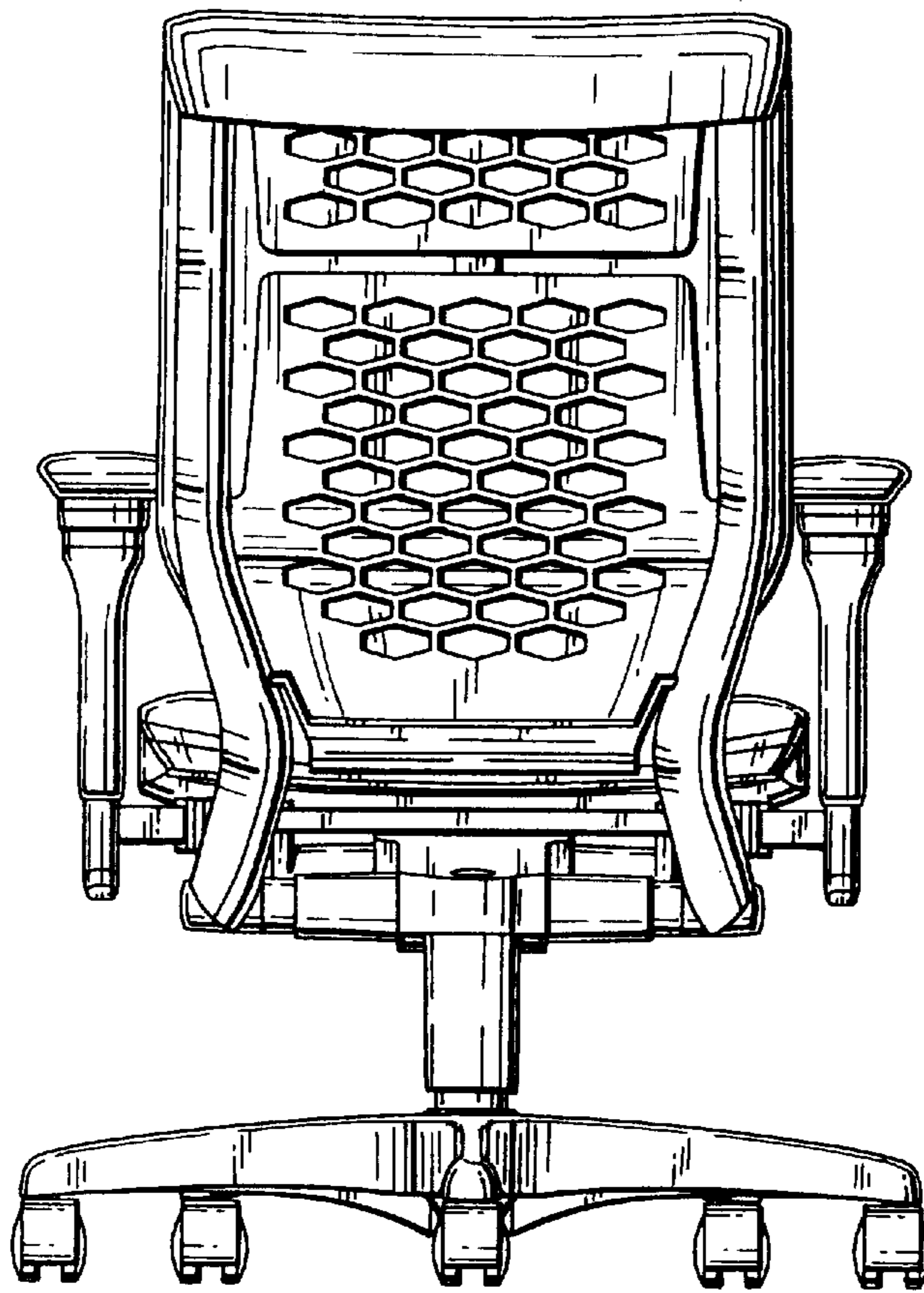


FIG.4

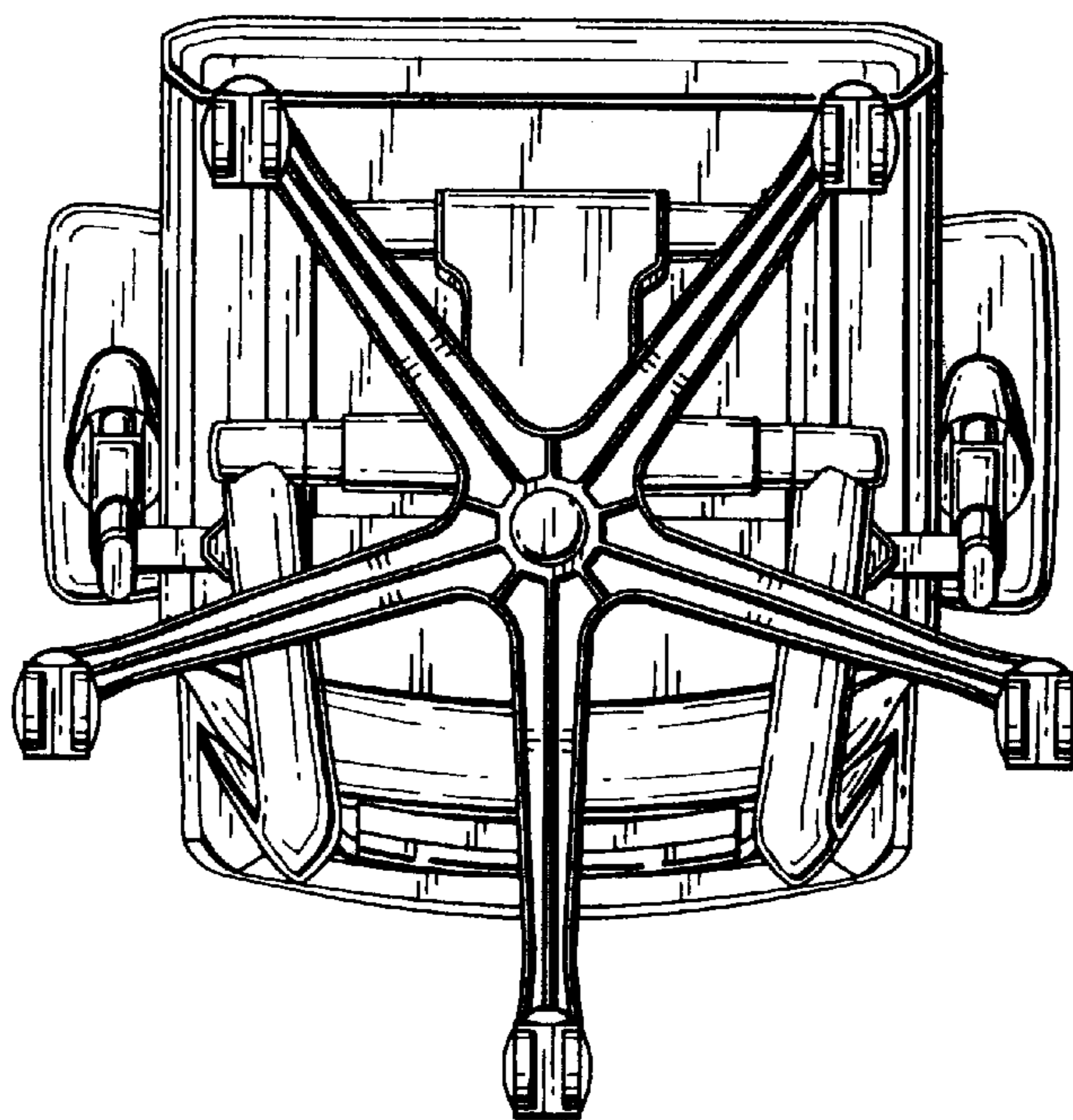


FIG.5

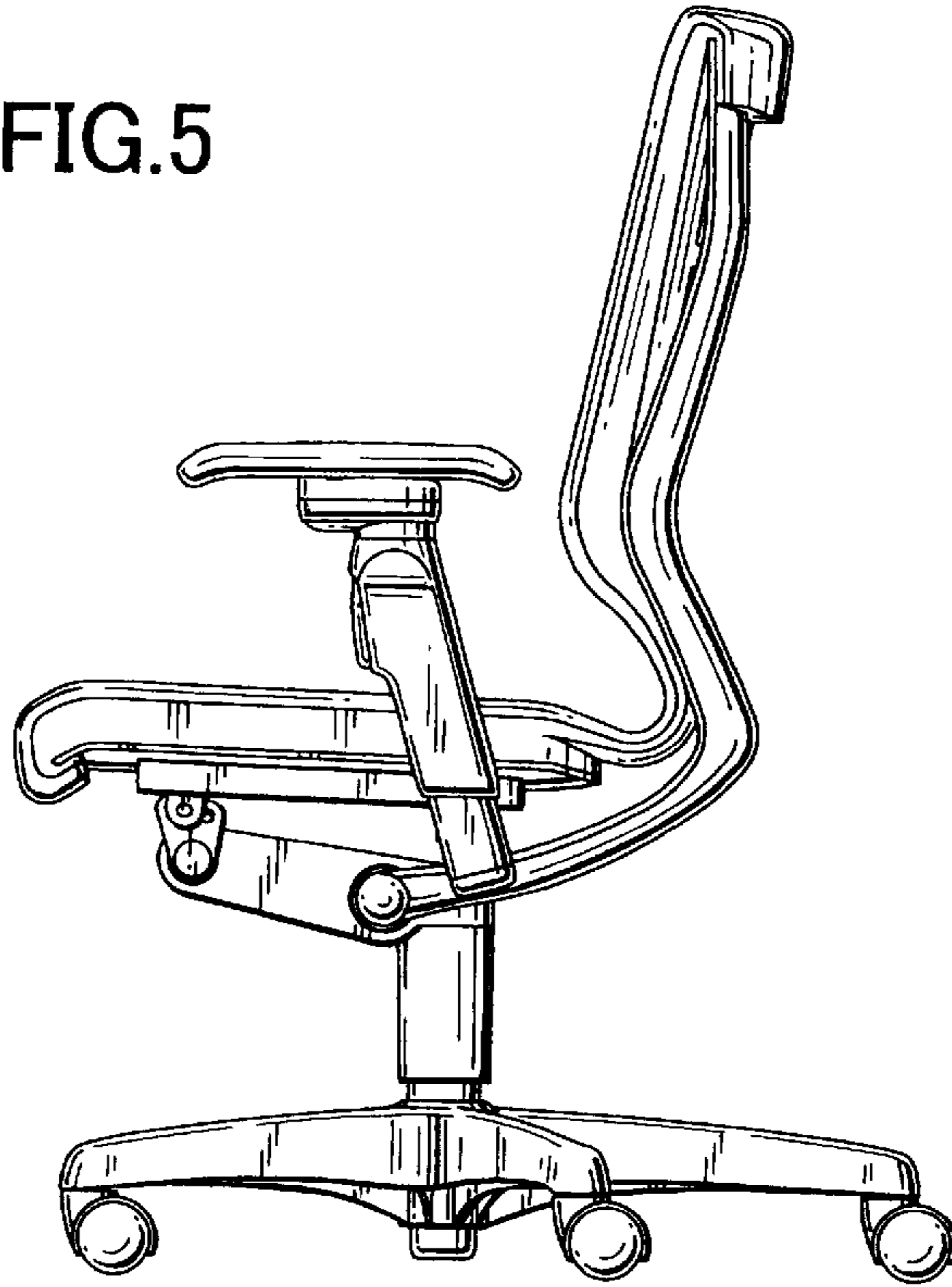


FIG.6

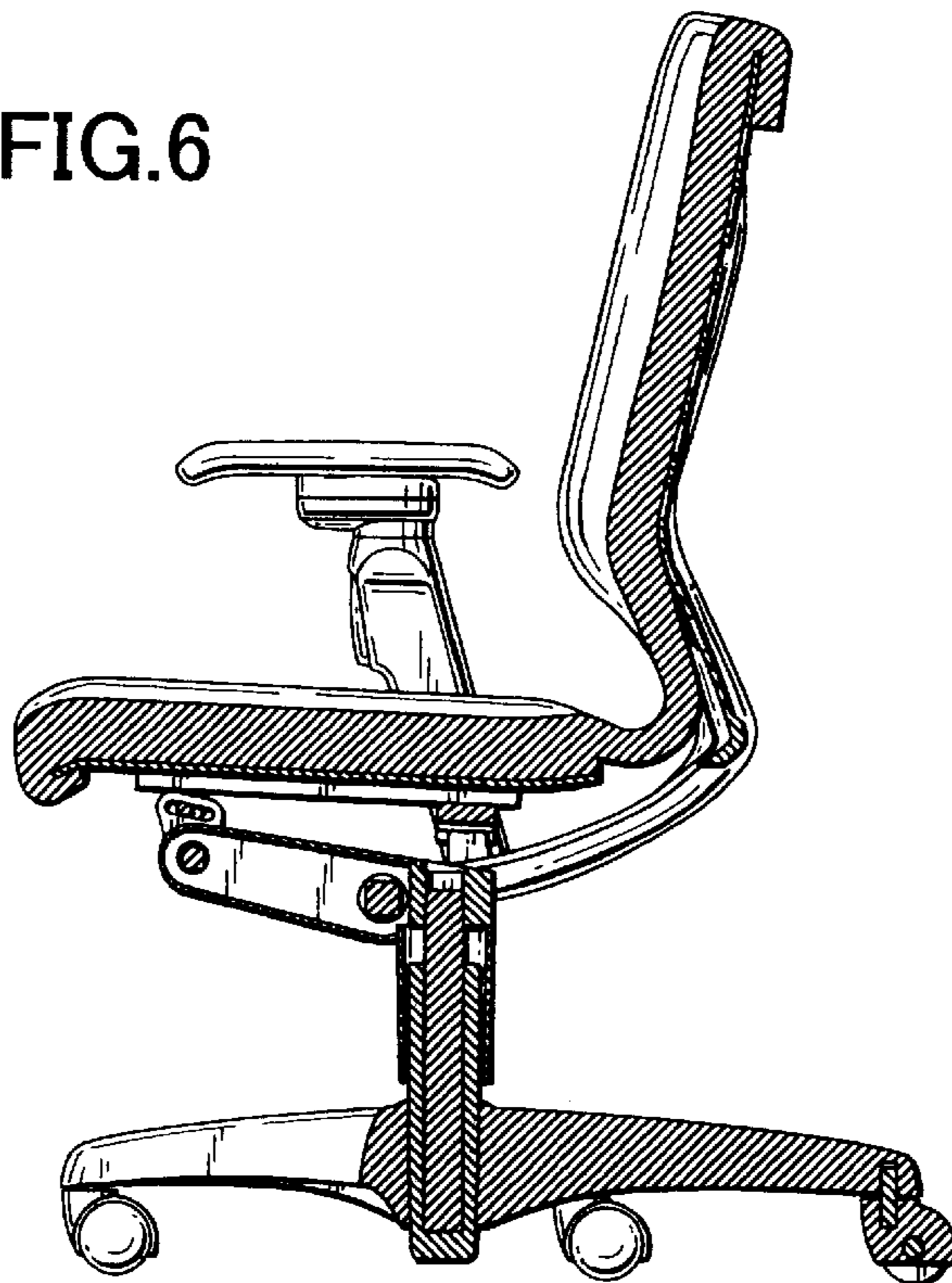


FIG.7

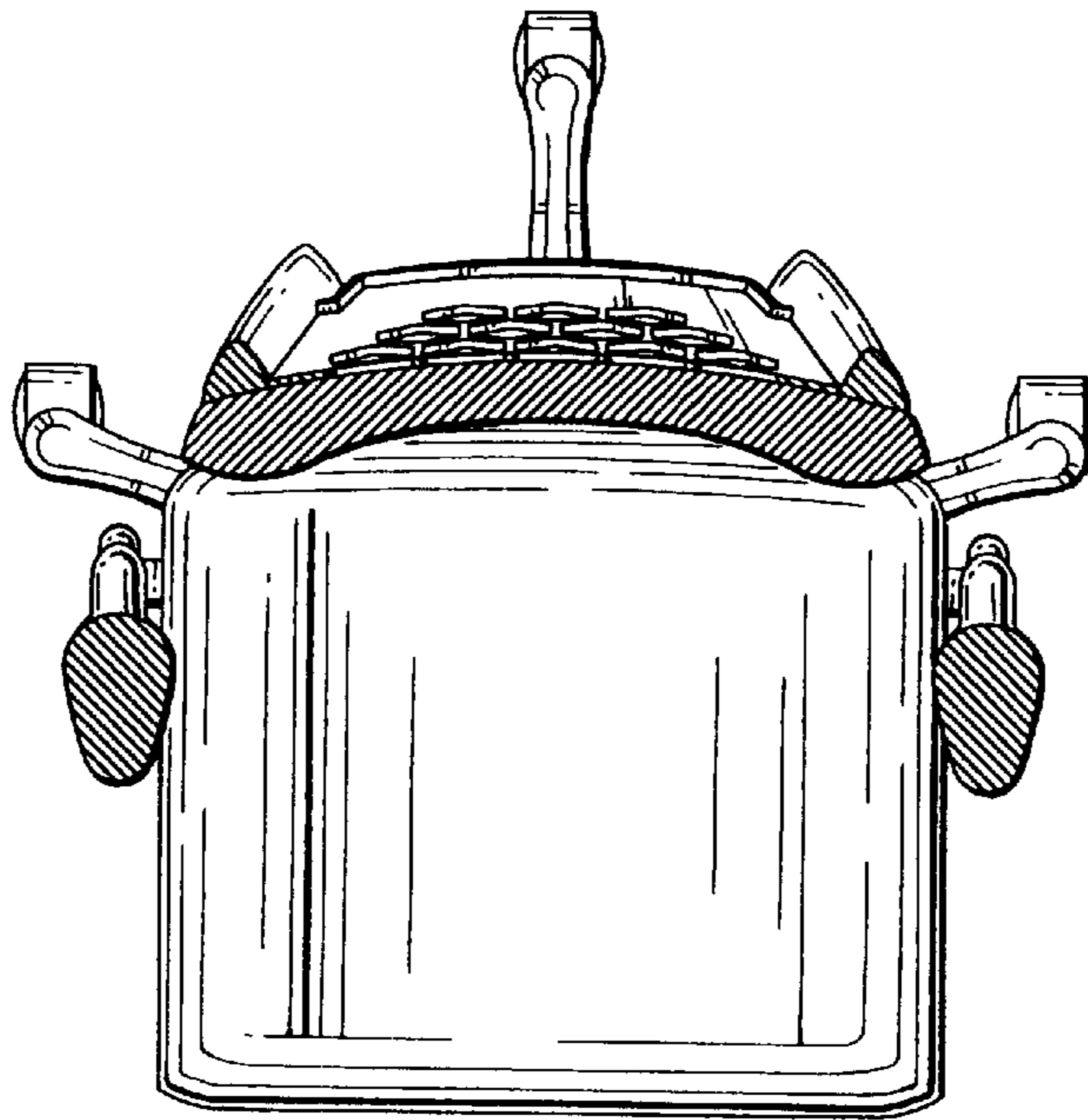


FIG.8

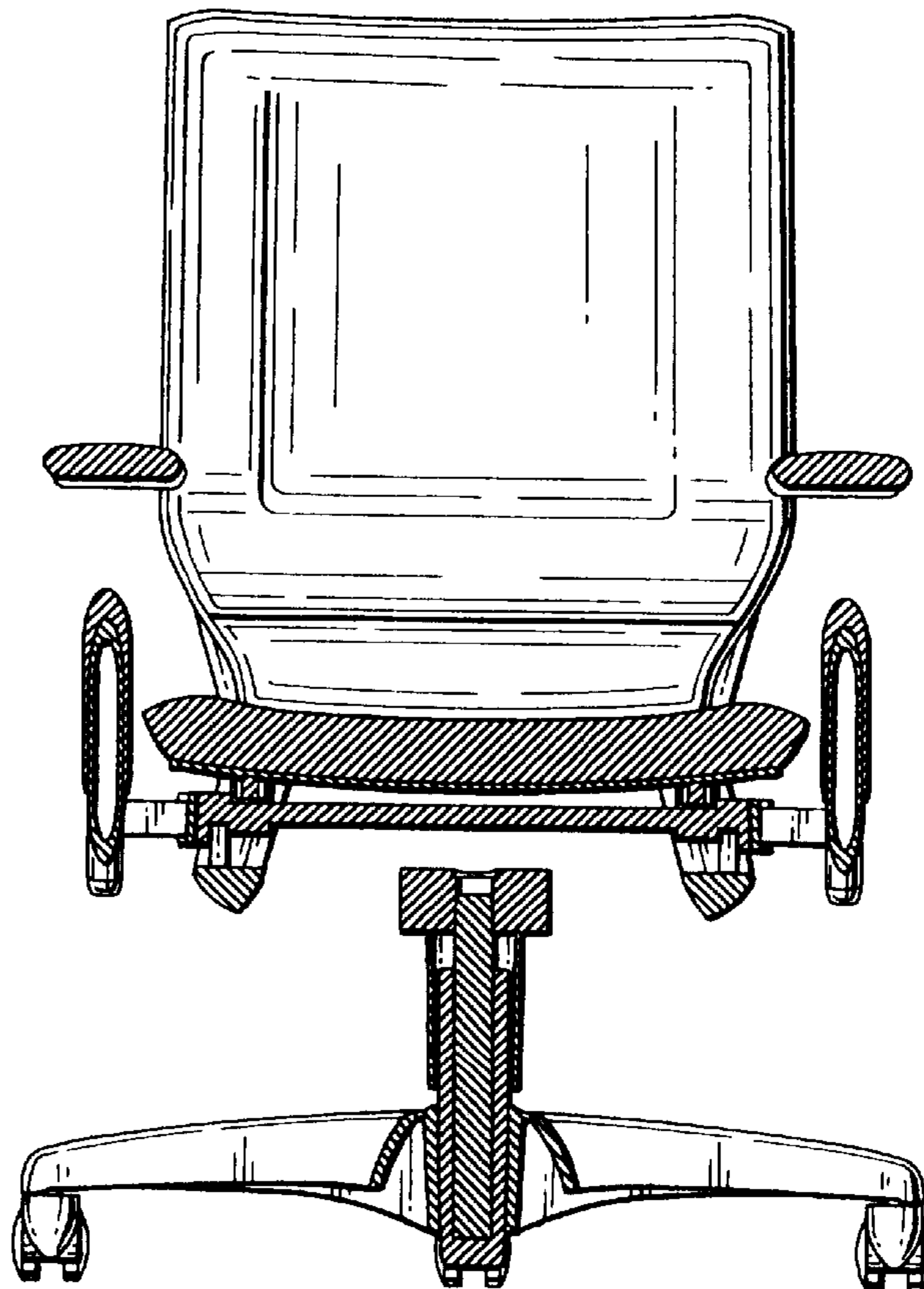


FIG.9

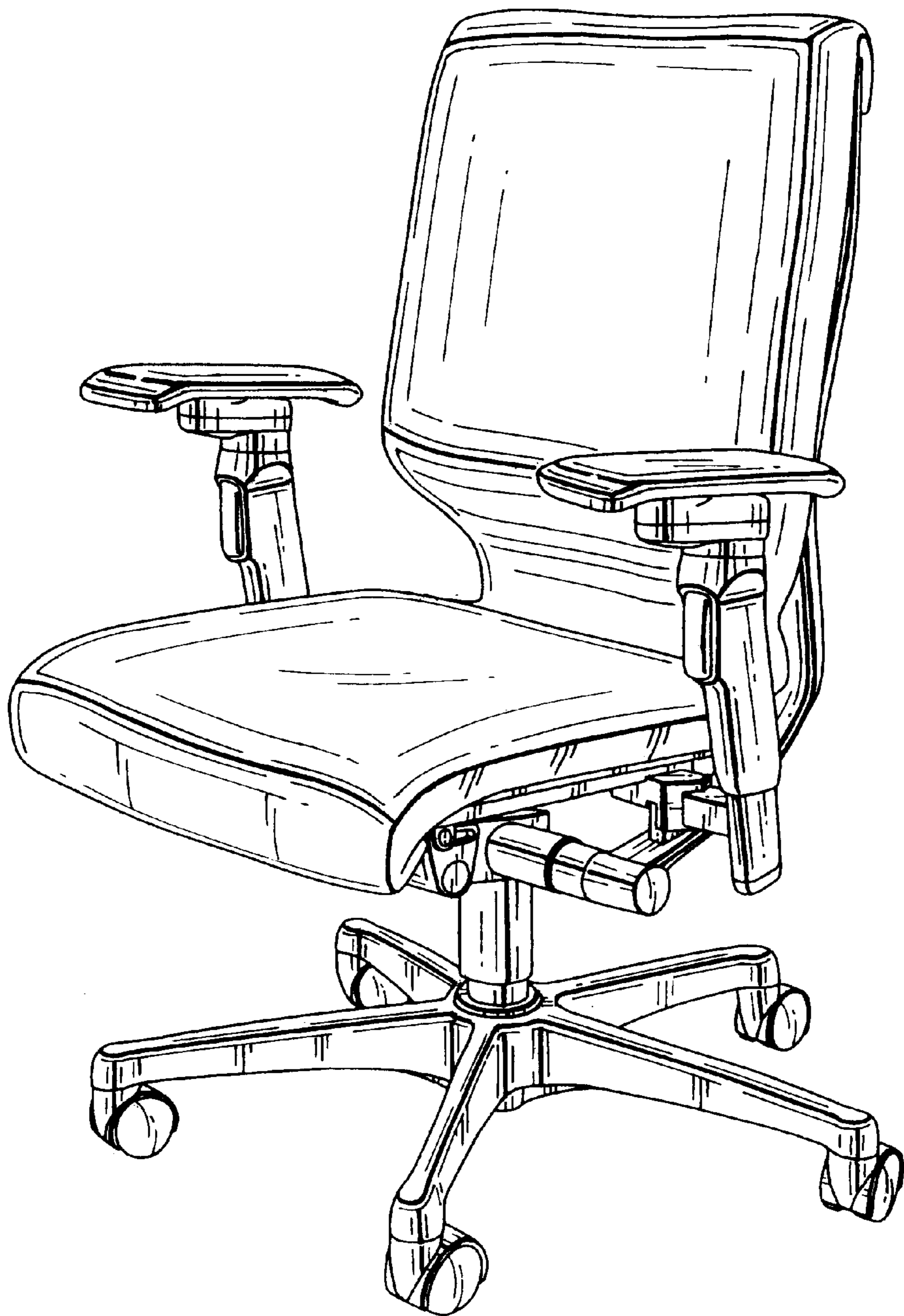


FIG.10

