



US00D469617S

(12) **United States Design Patent**
Olofson

(10) **Patent No.:** **US D469,617 S**

(45) **Date of Patent:** **** Feb. 4, 2003**

(54) **LOVESEAT BOOK FURNITURE MODULE**

(76) **Inventor:** **Erik D. Olofson**, 1447 Columbine Way,
Livermore, CA (US) 94550-6958

(**) **Term:** **14 Years**

(21) **Appl. No.:** **29/133,801**

(22) **Filed:** **Dec. 6, 2000**

(51) **LOC (7) Cl.** **06-01**

(52) **U.S. Cl.** **D6/358**

(58) **Field of Search** D6/334, 358, 374,
D6/375, 371-373, 500-502; 40/350; 116/234;
281/3.1; 297/181

(56) **References Cited**

U.S. PATENT DOCUMENTS

185,482 A	*	12/1876	Bowman	40/530
271,765 A	*	2/1883	Augir	40/530
470,681 A	*	3/1892	Chichester	281/3.1
727,148 A	*	5/1903	Jones	40/530
1,672,608 A	*	6/1928	Friedman	281/3.1

1,858,605 A	*	5/1932	Alvensleben	116/234
2,448,611 A	*	9/1948	Martin	116/234
2,590,615 A	*	3/1952	Heckendorn	116/234
4,505,219 A	*	3/1985	Mangano	116/234
4,743,047 A	*	5/1988	Baer	281/3.1
4,970,984 A	*	11/1990	Vaquez	116/234

* cited by examiner

Primary Examiner—Doris V. Coles

Assistant Examiner—Mimosa De

(57) **CLAIM**

The ornamental design for a loveseat book furniture module,
as shown and described.

DESCRIPTION

FIG. 1 is a front view.

FIG. 2 is a rear view.

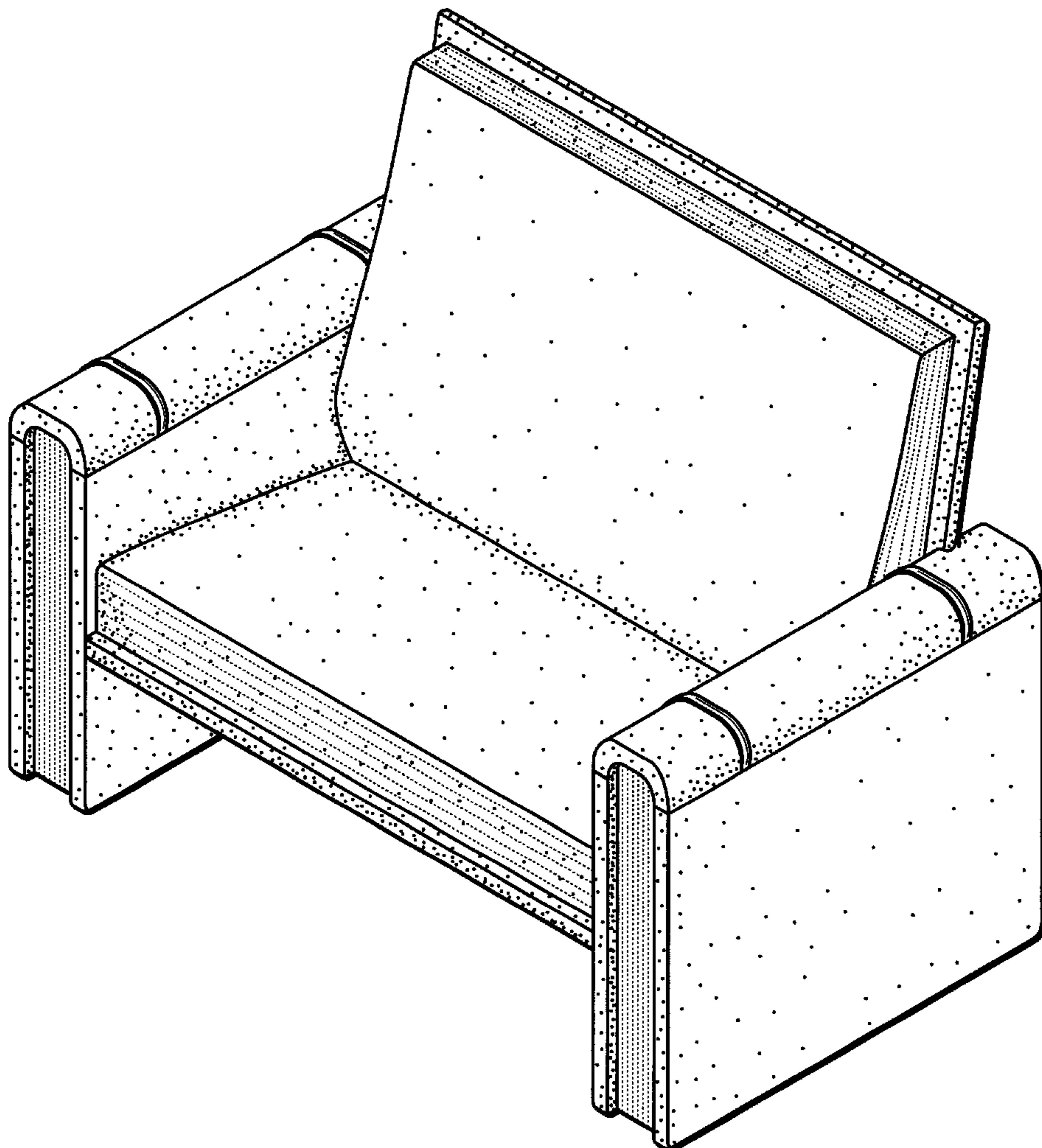
FIG. 3 is a right side view, the left side being a mirror image.

FIG. 4 is a top view; and,

FIG. 5 is a perspective view.

The broken lines shown in the drawings represent stitching.

1 Claim, 3 Drawing Sheets



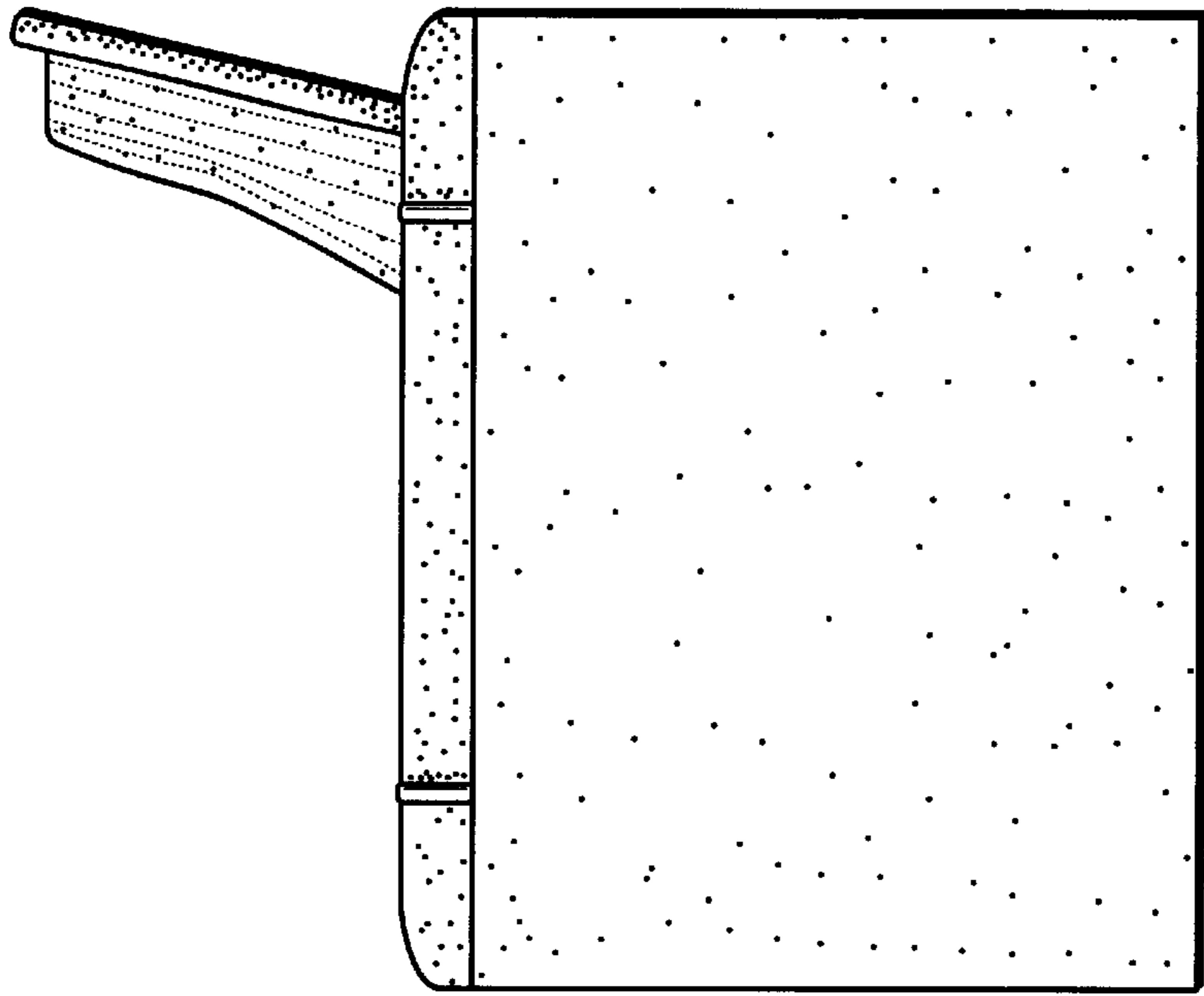


FIG. 3

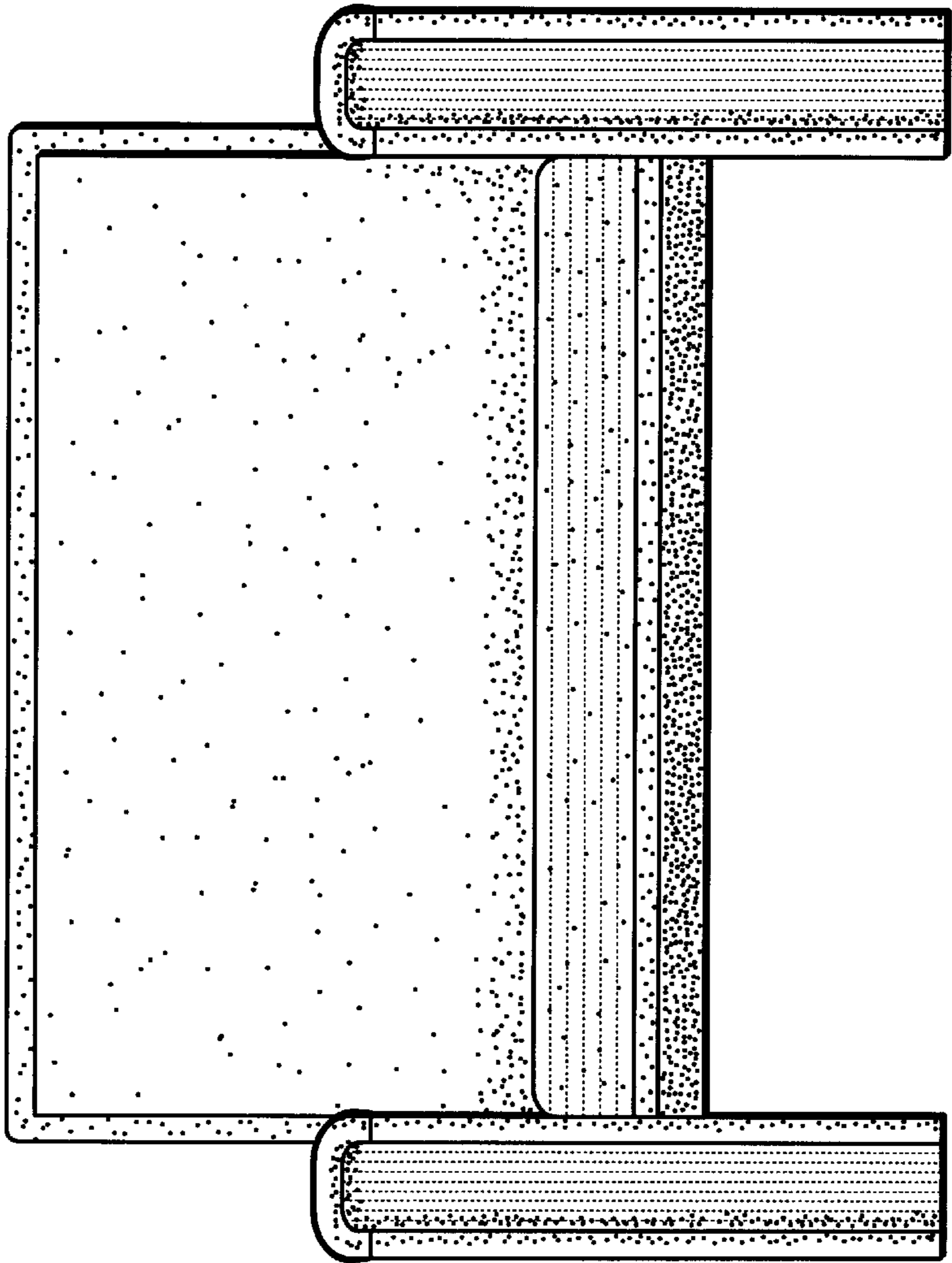


FIG. 1

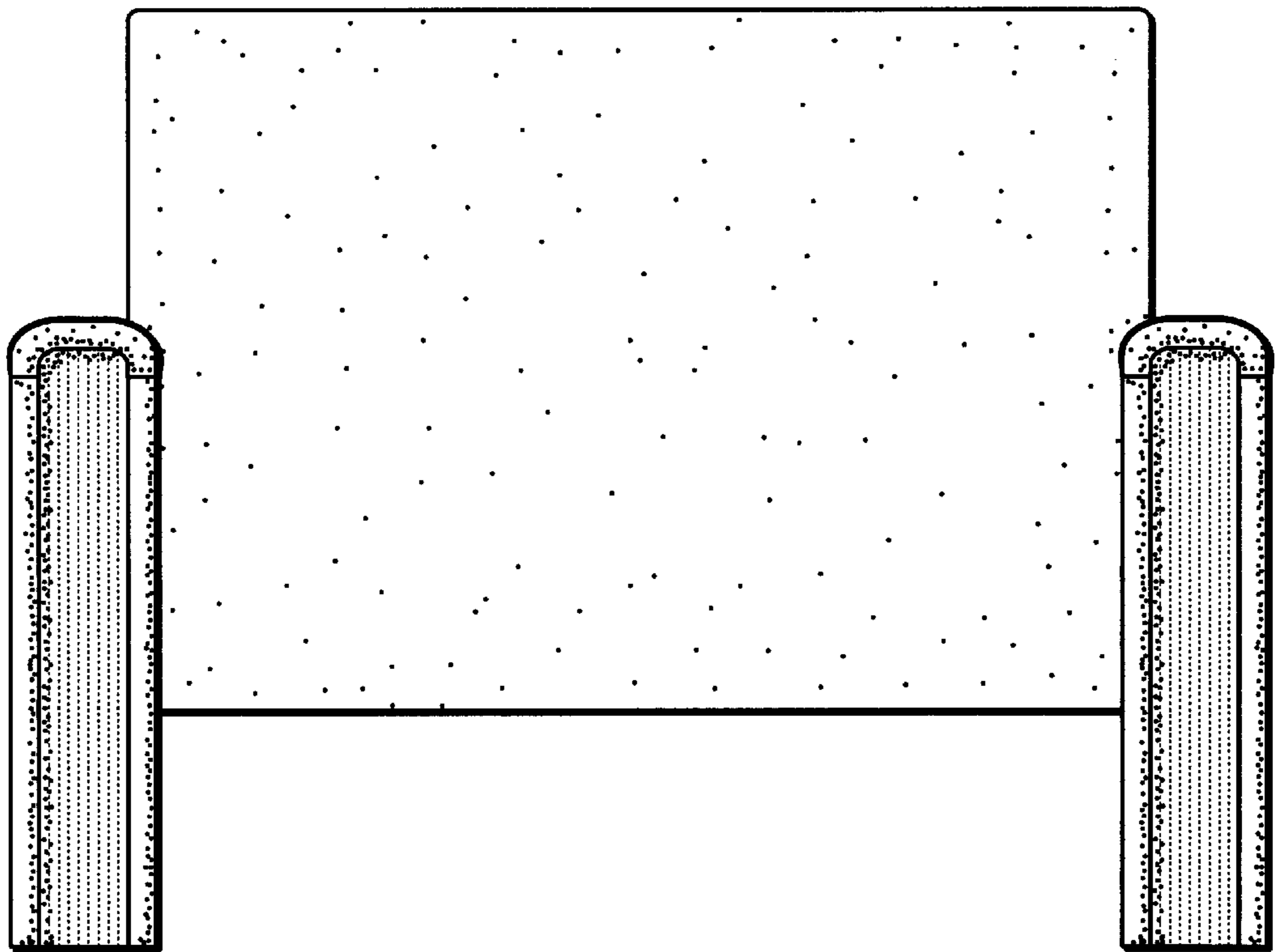


FIG._2

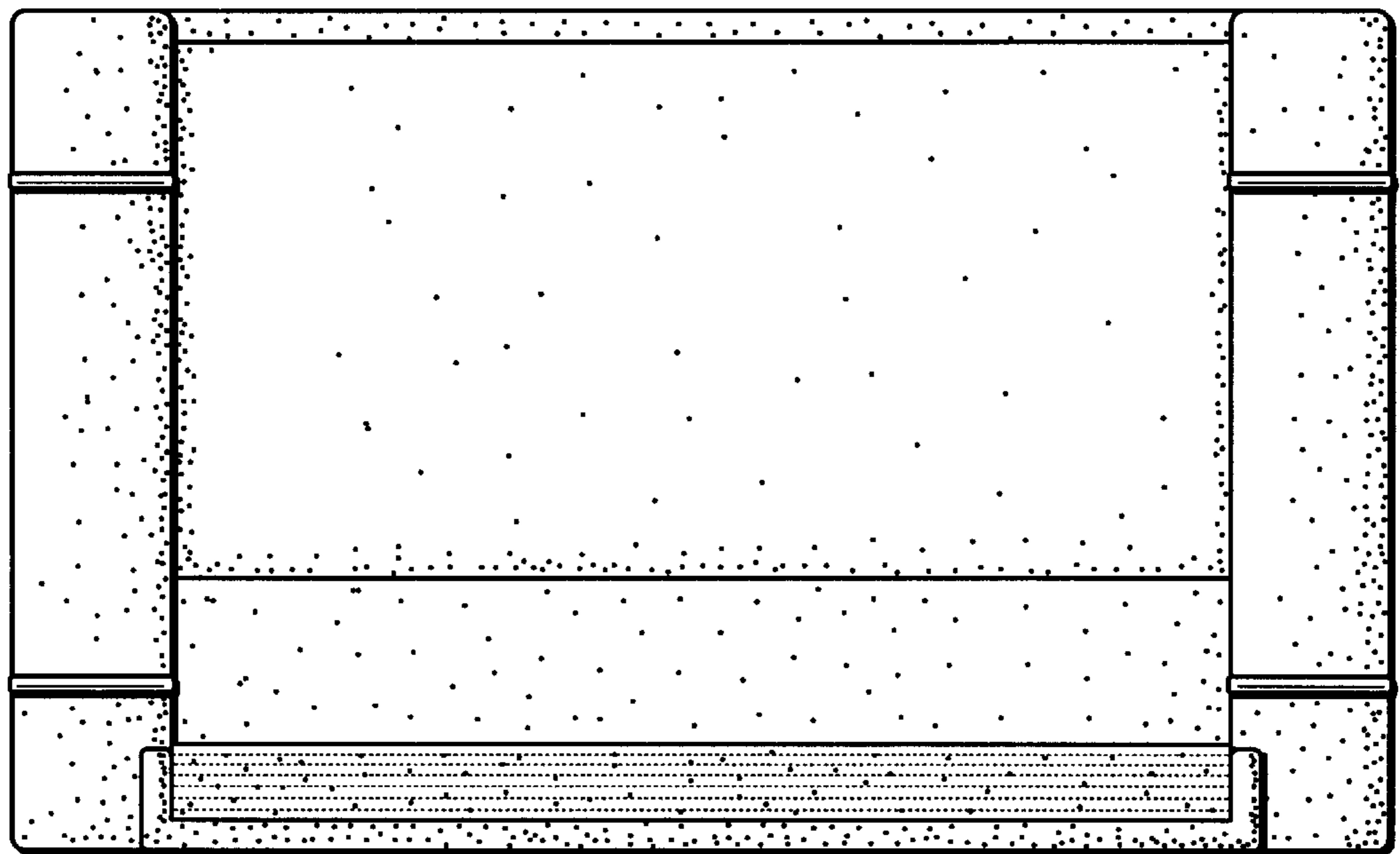


FIG._4

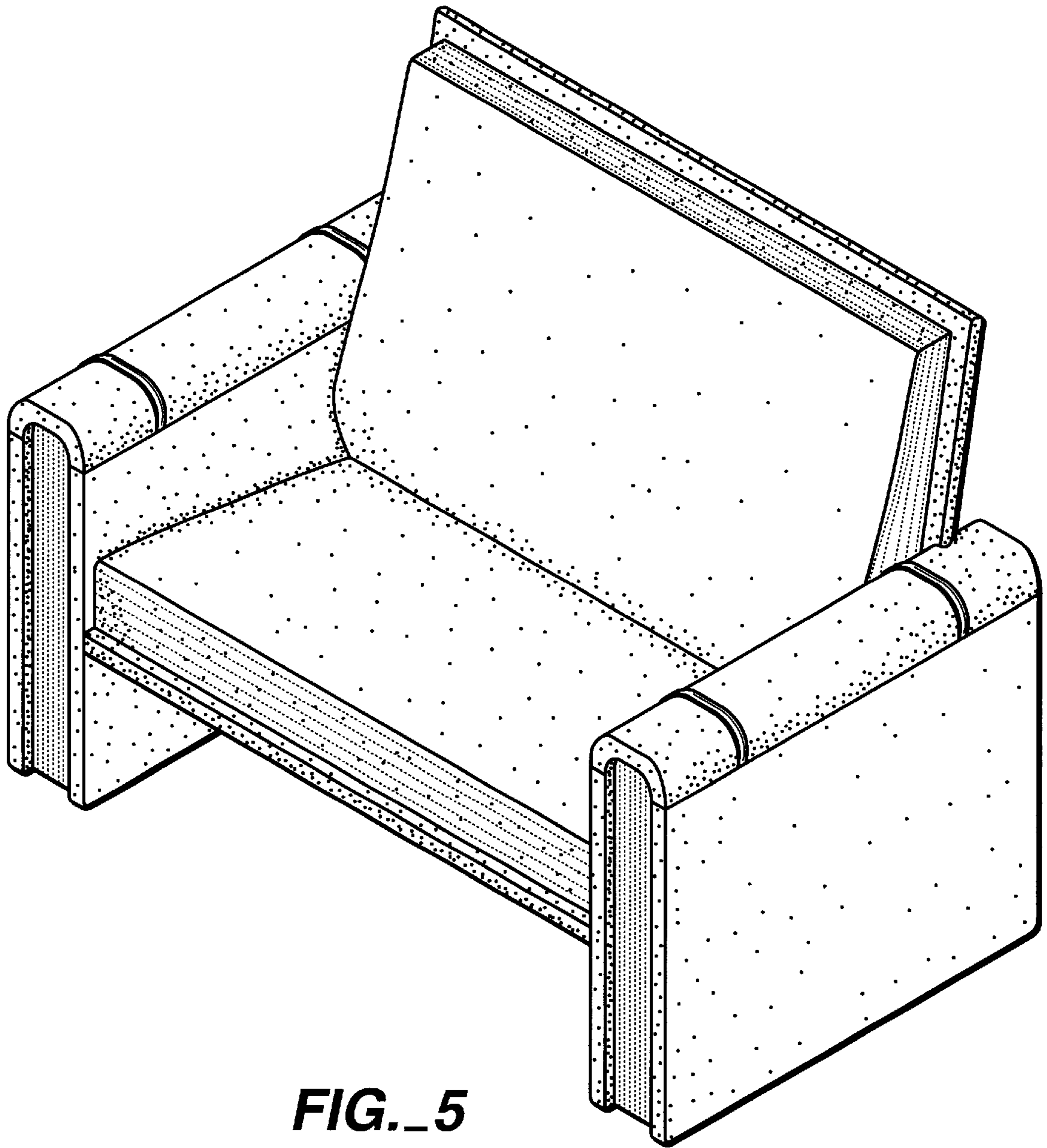


FIG. 5