



US00D469615S

(12) **United States Design Patent**  
**Noll**

(10) **Patent No.:** **US D469,615 S**

(45) **Date of Patent:** **\*\* Feb. 4, 2003**

(54) **CHILDREN'S PICNIC TABLE**

(76) **Inventor:** **Ronald C. Noll, 25 Fairway Trail,  
Moreland Hills, OH (US) 44022**

(\*\*) **Term:** **14 Years**

(21) **Appl. No.:** **29/162,761**

(22) **Filed:** **Jun. 20, 2002**

(51) **LOC (7) Cl.** ..... **06-01**

(52) **U.S. Cl.** ..... **D6/337**

(58) **Field of Search** ..... D6/334, 335, 336,  
D6/337, 369, 370, 371, 376, 381, 494,  
495, 500-502; 248/188, 188.1; 297/158.1,  
158.2, 158.3, 158.4, 158.5, 159.1, 157.1

(56) **References Cited**

**U.S. PATENT DOCUMENTS**

D165,777 S	*	1/1952	Offutt et al.	.....	D6/337
2,746,525 A		5/1956	Cooper		
2,849,053 A		8/1958	Beller et al.		
D190,744 S		6/1961	Guice		
D327,778 S		7/1992	Crawford	.....	D6/337

D357,590 S		4/1995	Noll	.....	D6/337
D368,807 S	*	4/1996	Noll	.....	D6/337
D369,912 S	*	5/1996	Noll	.....	D6/337
D427,442 S	*	7/2000	Shich	.....	D6/337

\* cited by examiner

*Primary Examiner*—Doris V. Coles

*Assistant Examiner*—Mimosa De

(74) *Attorney, Agent, or Firm*—Pearne & Gordon LLP

(57) **CLAIM**

The ornamental design for a children's picnic table, as shown and described.

**DESCRIPTION**

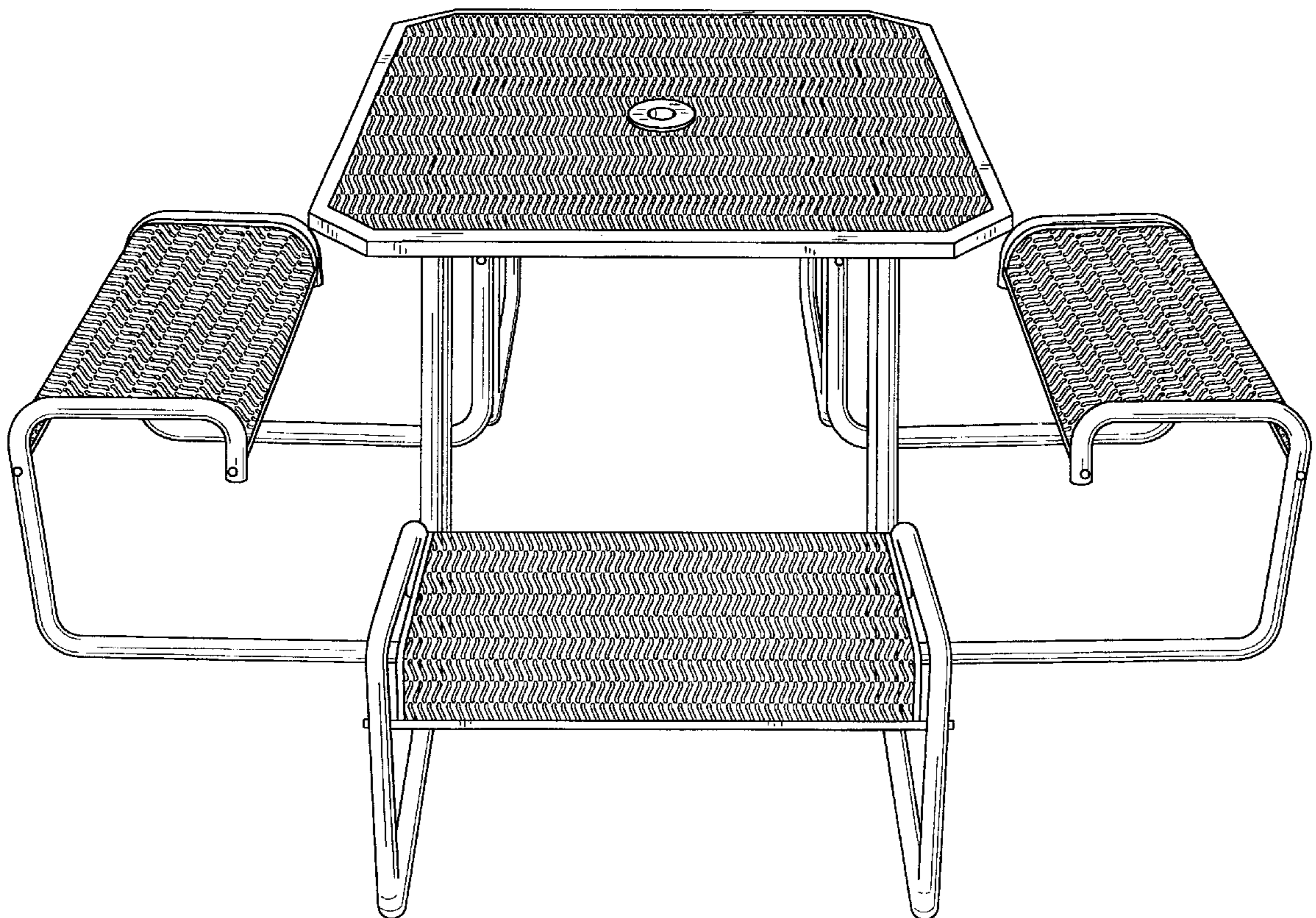
FIG. 1 is a perspective view of a children's picnic table according to the present invention;

FIG. 2 is a front view of a children's picnic table, a left side view, a right side view and a rear view all being a mirror image;

FIG. 3 is a top view thereof; and,

FIG. 4 is a bottom view thereof.

**1 Claim, 3 Drawing Sheets**



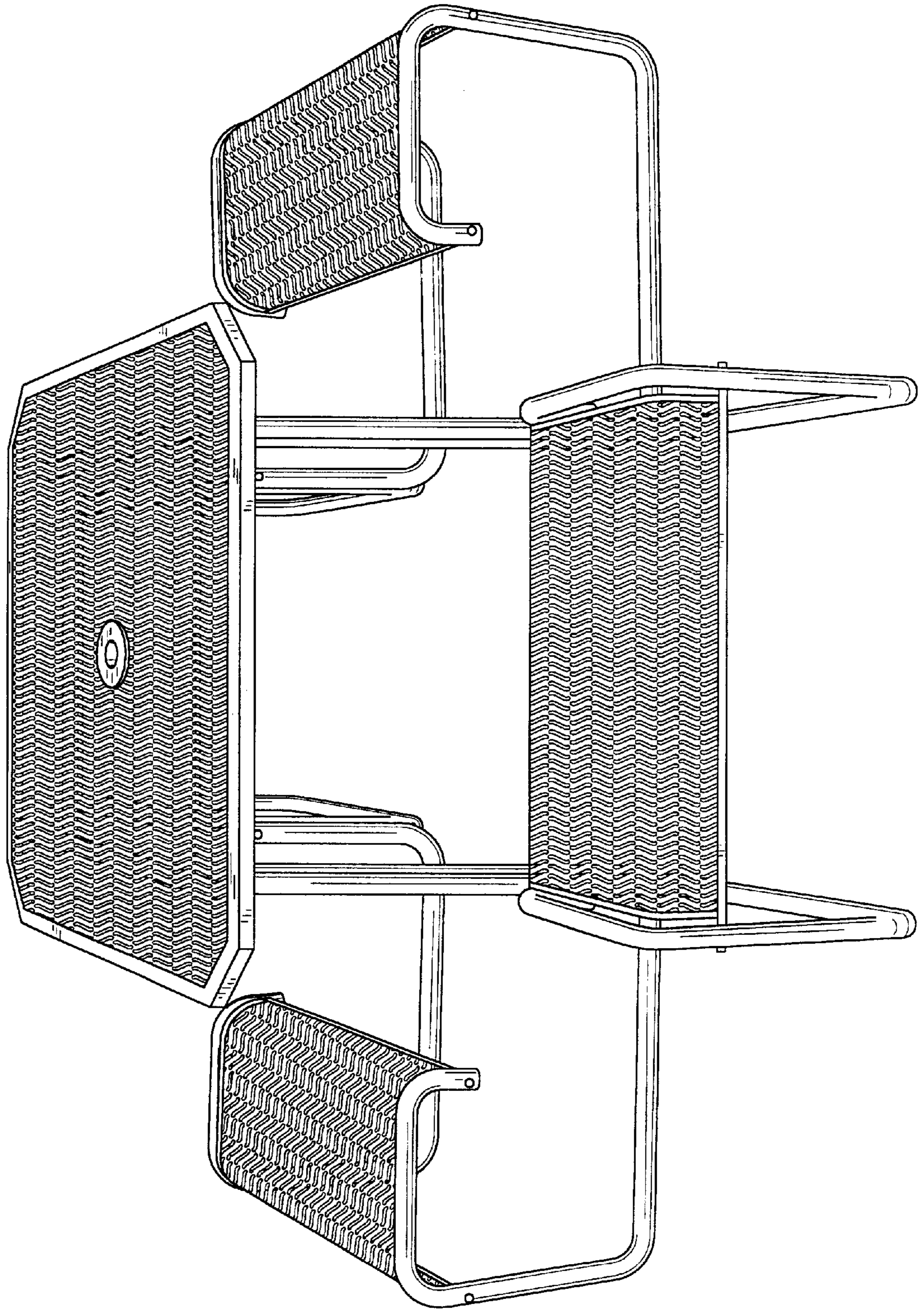


Fig. 1

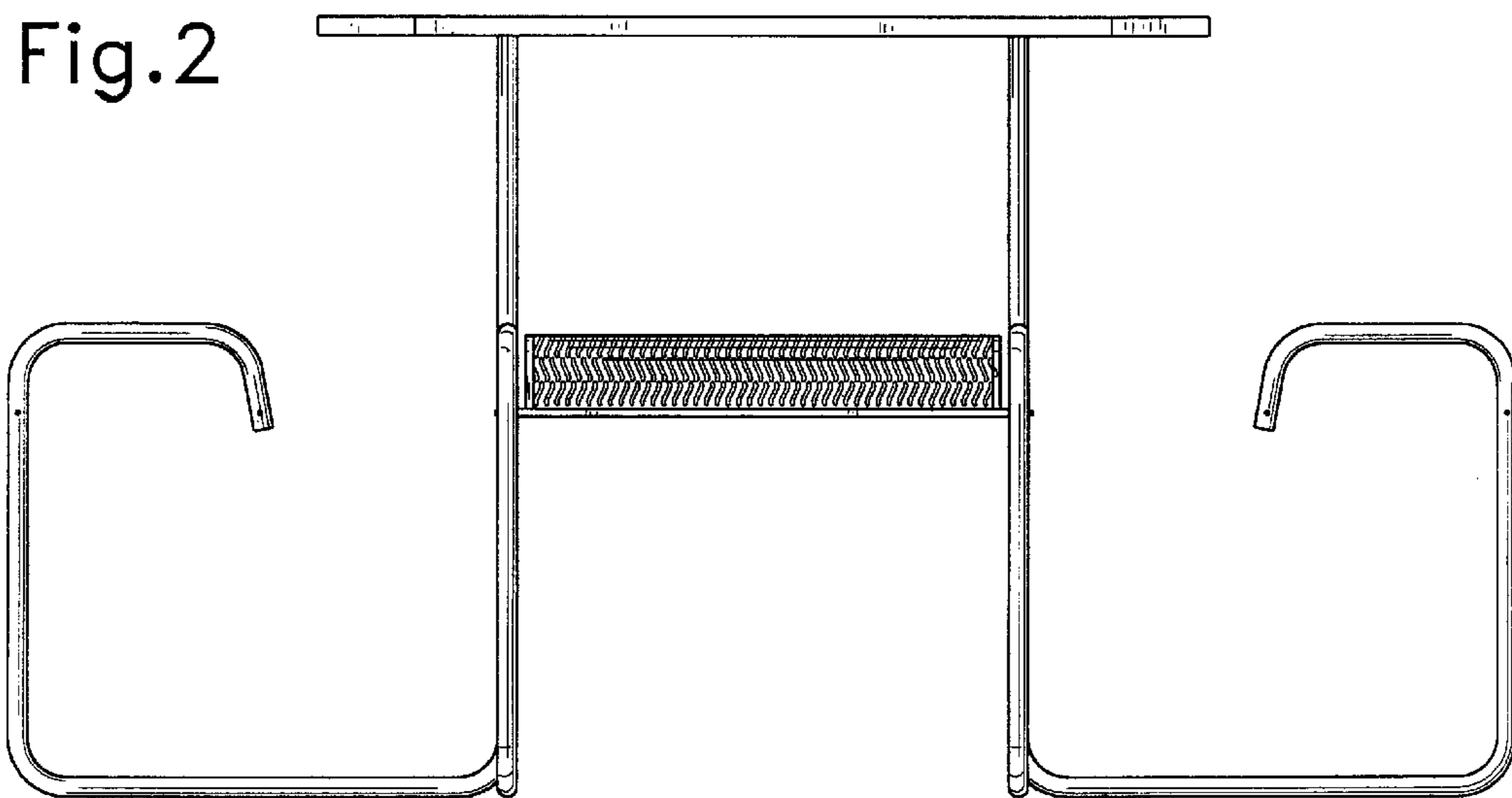
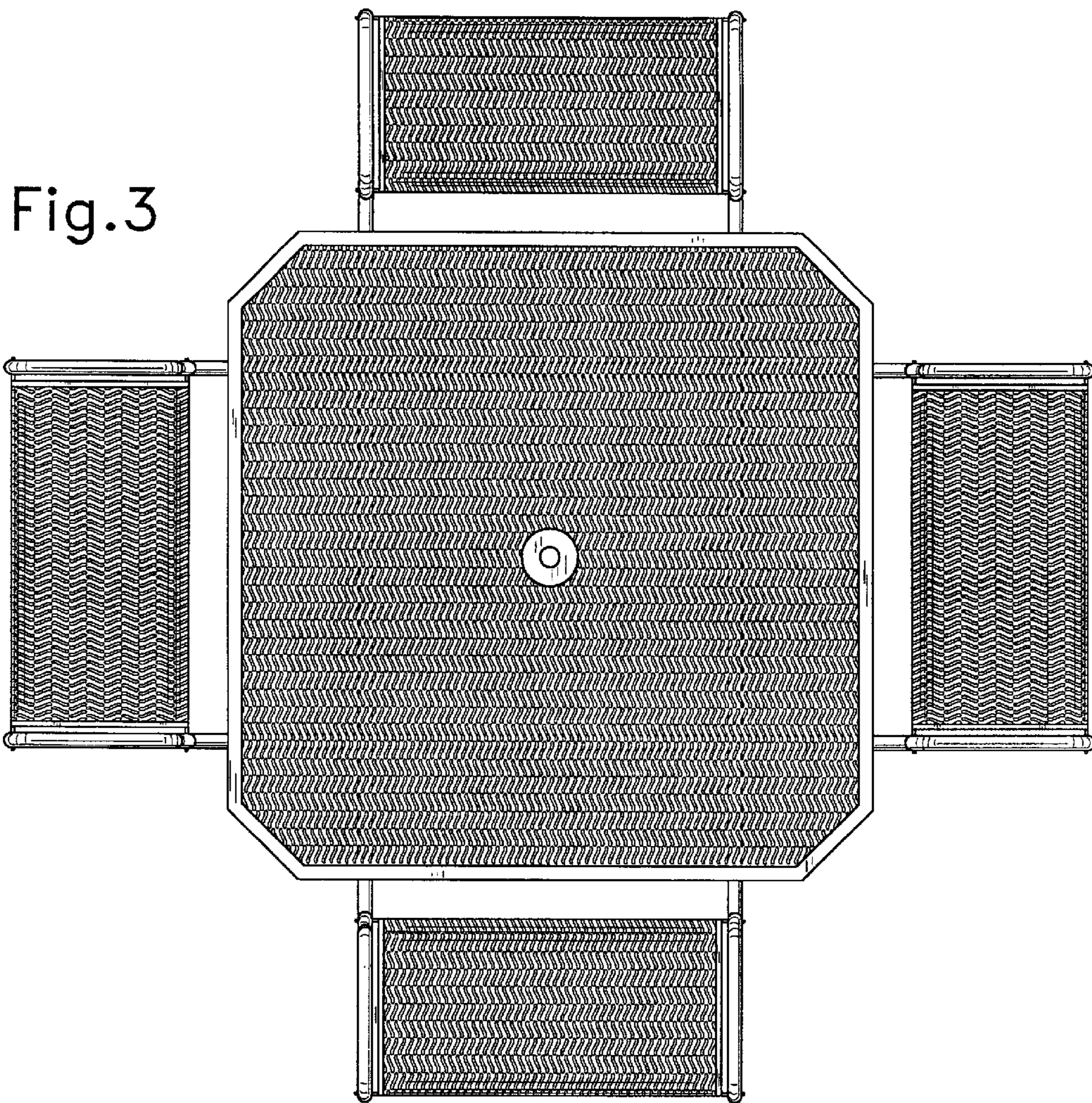


Fig.4

