



US00D469610S

(12) **United States Design Patent**
Corp et al.

(10) **Patent No.:** **US D469,610 S**

(45) **Date of Patent:** **** Feb. 4, 2003**

(54) **WOODEN BASKET**

(75) Inventors: **Chris Corp**, Conesville, OH (US);
Leane Lefever, Frazeyburg, OH (US);
Vicki Lahna, Coshocton, OH (US);
Jack Hindel, Frazeyburg, OH (US);
Mark Randles, Warsaw, OH (US); **Sun Lacy**, Newark, OH (US)

(73) Assignee: **The Longaberger Company**, Newark, OH (US)

(**) Term: **14 Years**

(21) Appl. No.: **29/145,561**

(22) Filed: **Jul. 25, 2001**

Related U.S. Application Data

(63) Continuation-in-part of application No. 29/110,848, filed on Sep. 14, 1999, now Pat. No. Des. 447,637.

(51) **LOC (7) Cl.** **03-01**

(52) **U.S. Cl.** **D3/306**

(58) **Field of Search** D3/306-309, 304,
D3/277, 312; 217/122, 125; 220/676

(56) **References Cited**

U.S. PATENT DOCUMENTS

1,922,807 A * 8/1933 Hile D3/306
D366,362 S * 1/1996 Napier et al. D3/306
D390,359 S * 2/1998 Lacy D3/306

OTHER PUBLICATIONS

Coe-Dru Catalog, 1982, p. 51 item #7557 rectangular fern basket.*

Harbinger Catalog, 1993, p. A5 items "D" and "L" rectangular baskets with flared bottoms and handle.*

Tender Heart Treasures, Ltd. 1998, p. 22 items "H" and "R" square baskets with flared bottoms and handle.*

* cited by examiner

Primary Examiner—Louis S. Zarfes

Assistant Examiner—Deanne Levy

(74) *Attorney, Agent, or Firm*—Porter, Wright, Morris & Arthur LLP

(57) **CLAIM**

The ornamental design of wooden basket, as shown and described.

DESCRIPTION

FIG. 1 is a perspective view of a wooden basket showing our new design;

FIG. 2 is a front view thereof;

FIG. 3 is a right side view thereof;

FIG. 4 is a rear view thereof;

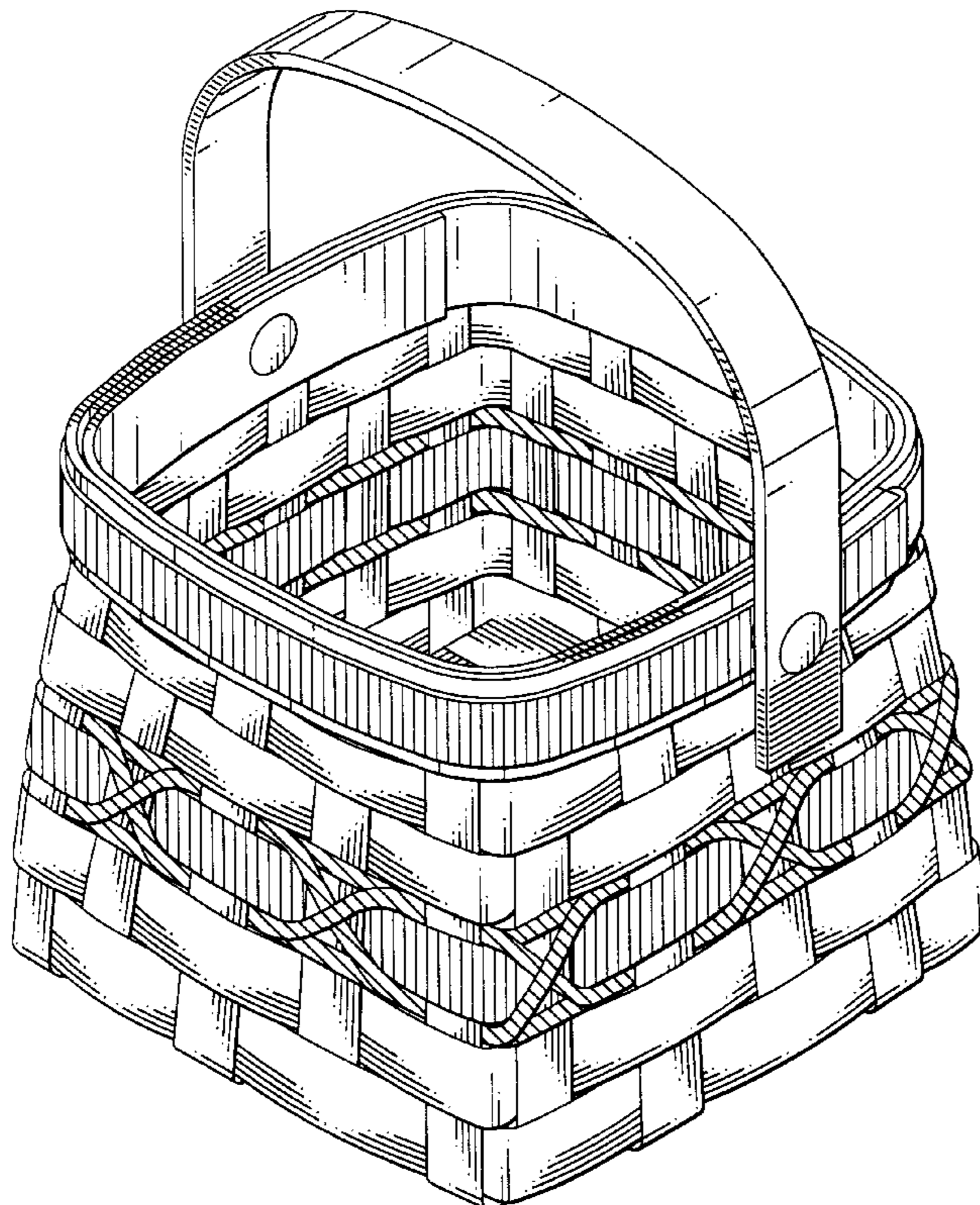
FIG. 5 is a left side view thereof;

FIG. 6 is a top view thereof;

FIG. 7 is a bottom view thereof; and,

FIG. 8 is a perspective view of another embodiment of a wooden basket according to the present invention, having an appearance identical to that of the first embodiment except for the indication of the color contrast.

1 Claim, 8 Drawing Sheets



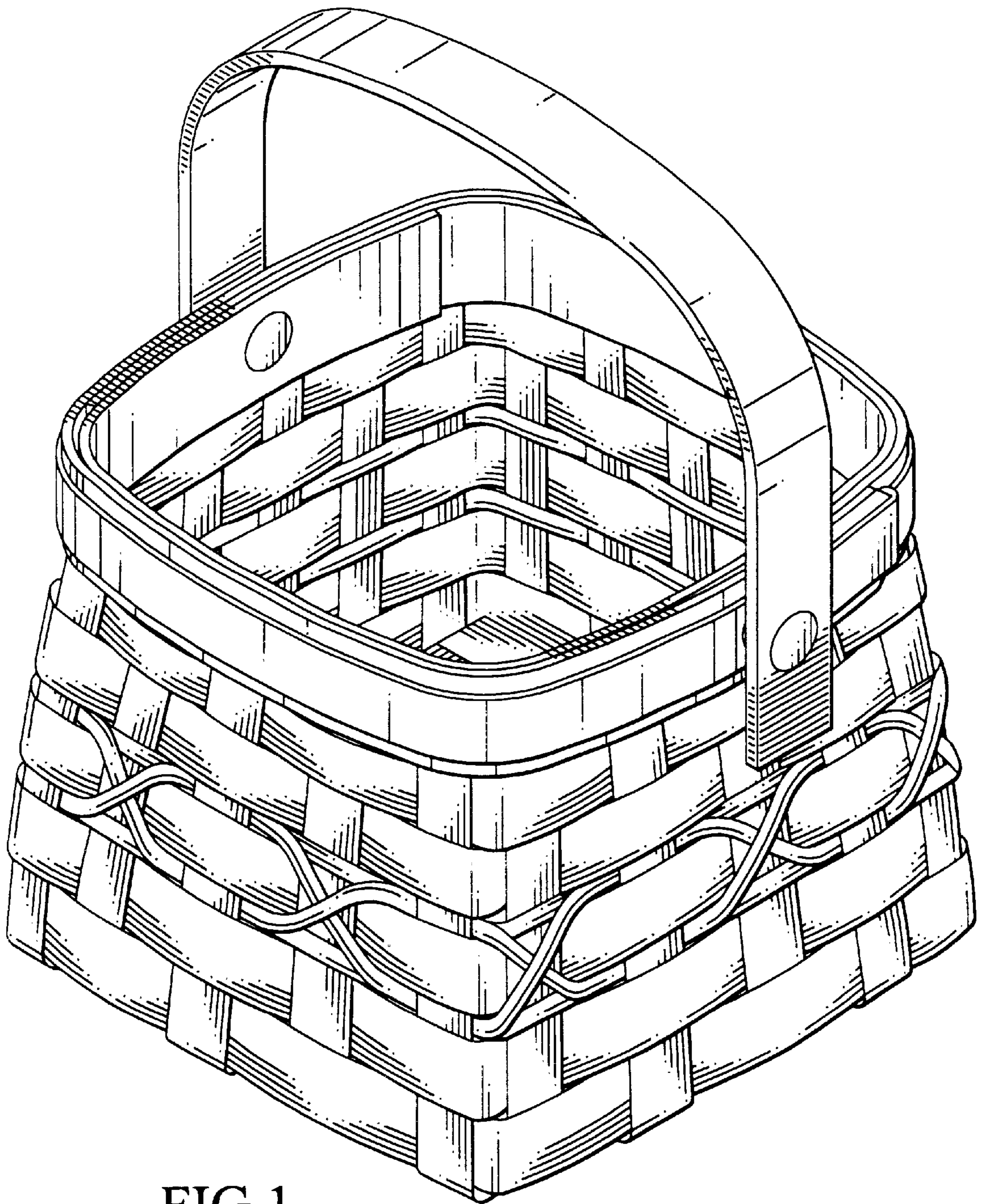


FIG. 1

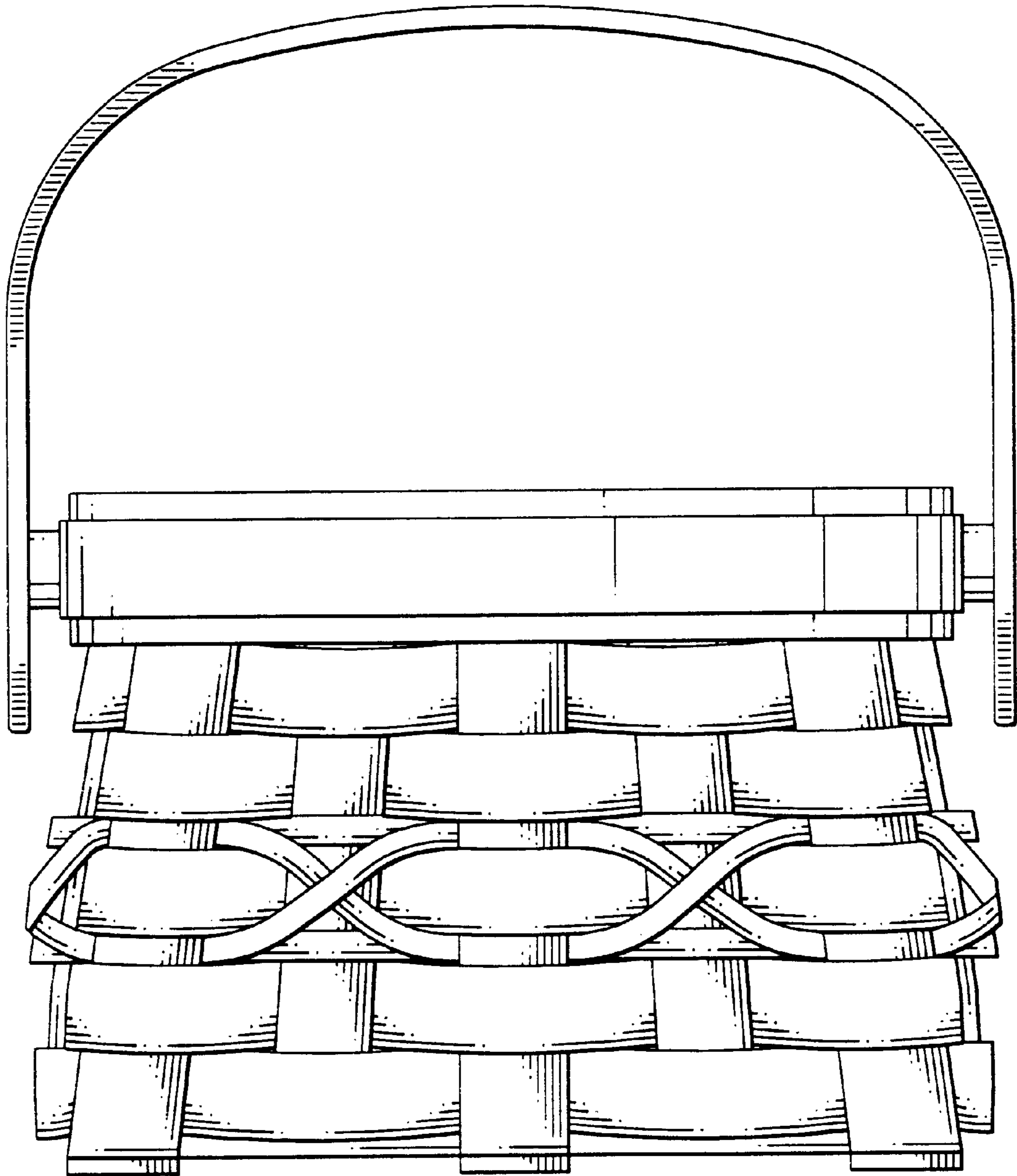


FIG. 2

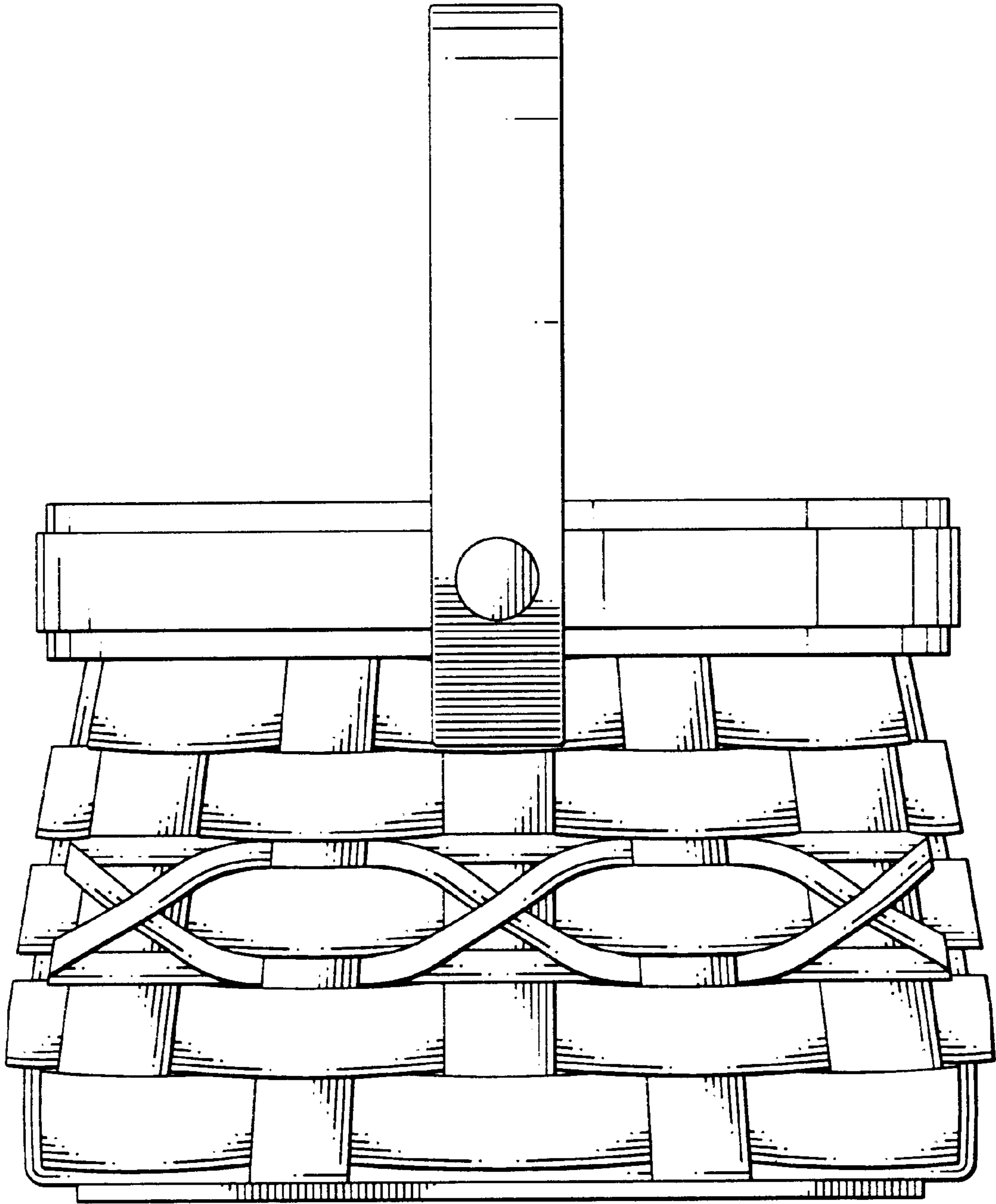


FIG.3

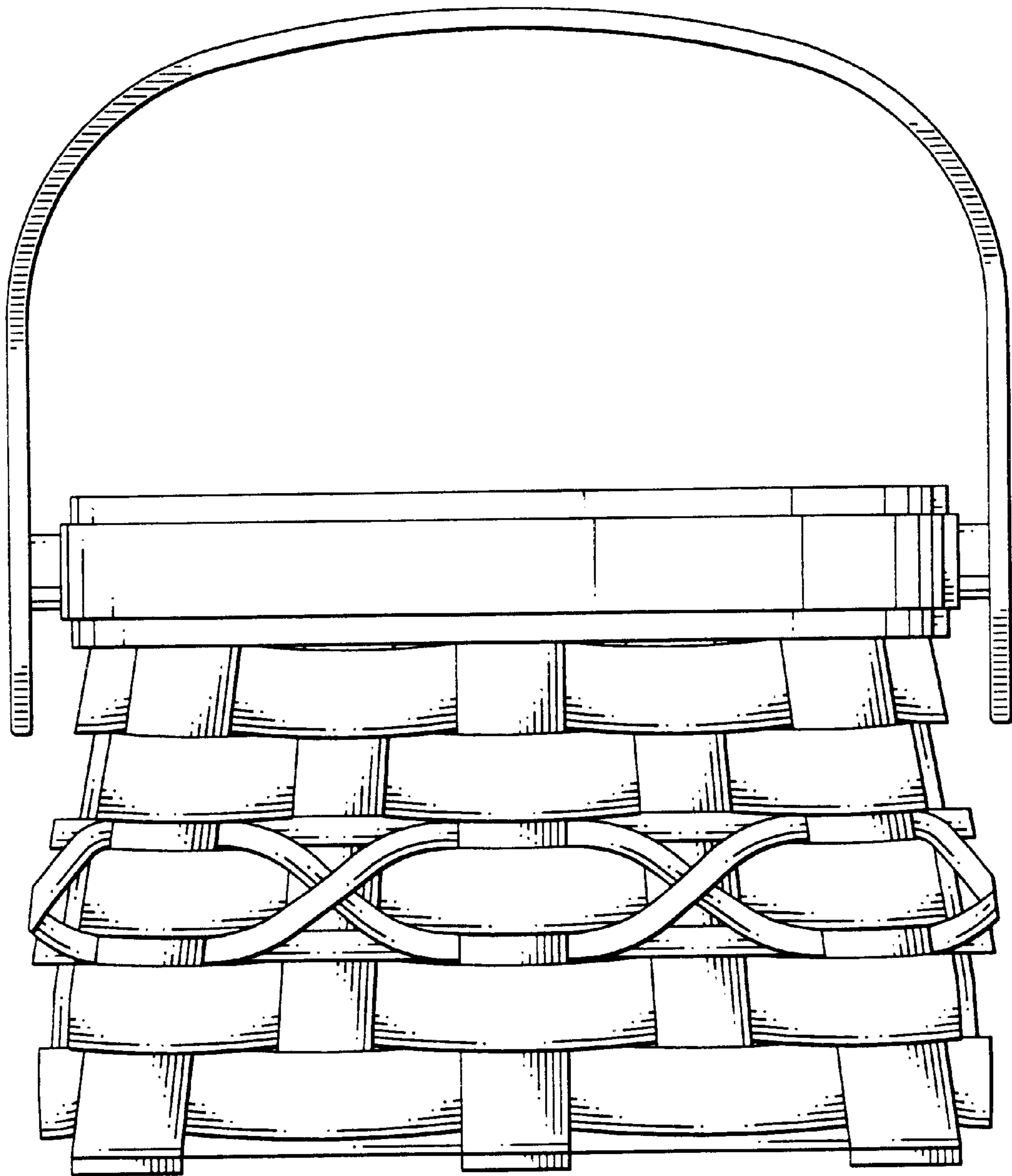


FIG.4

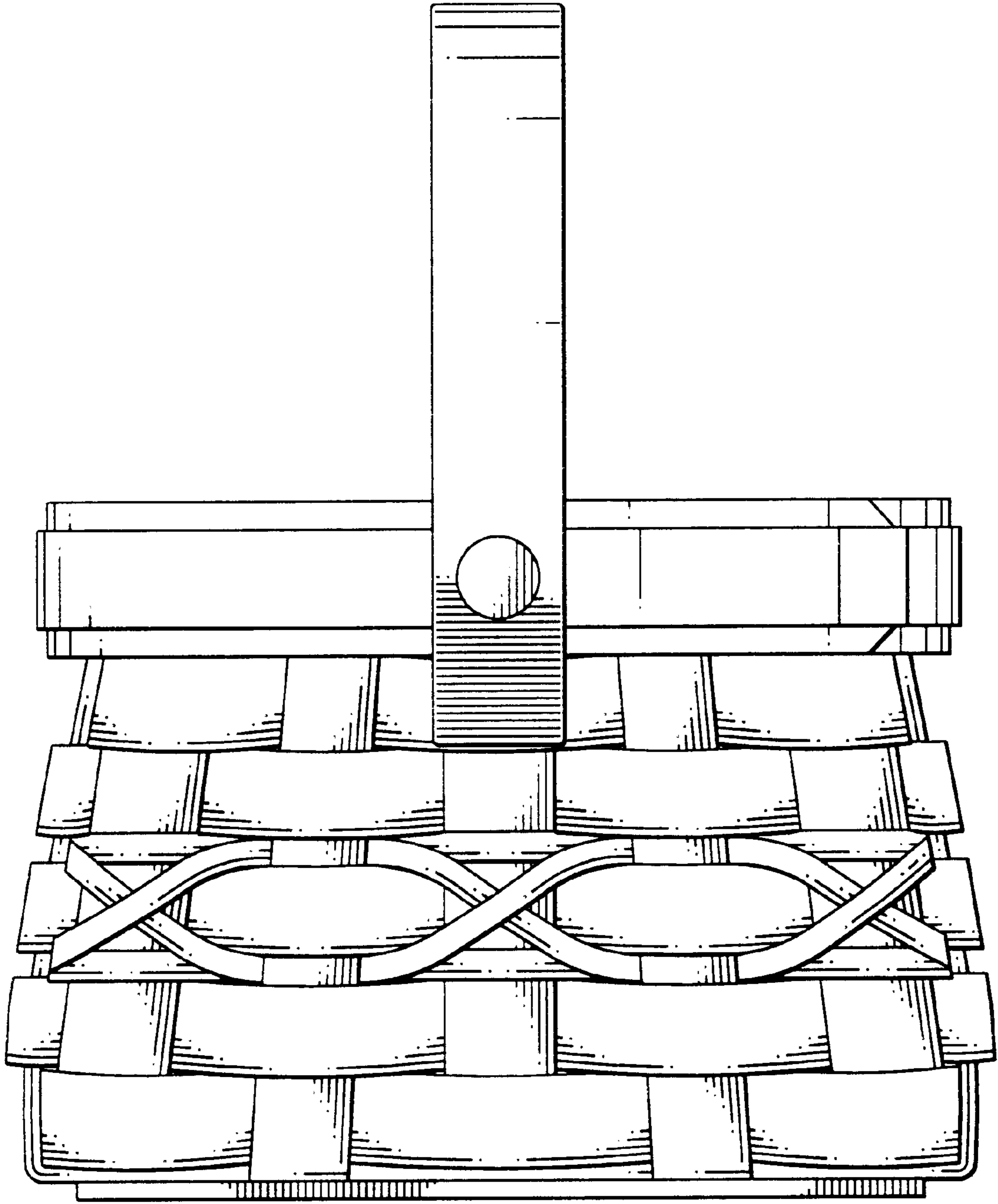


FIG.5

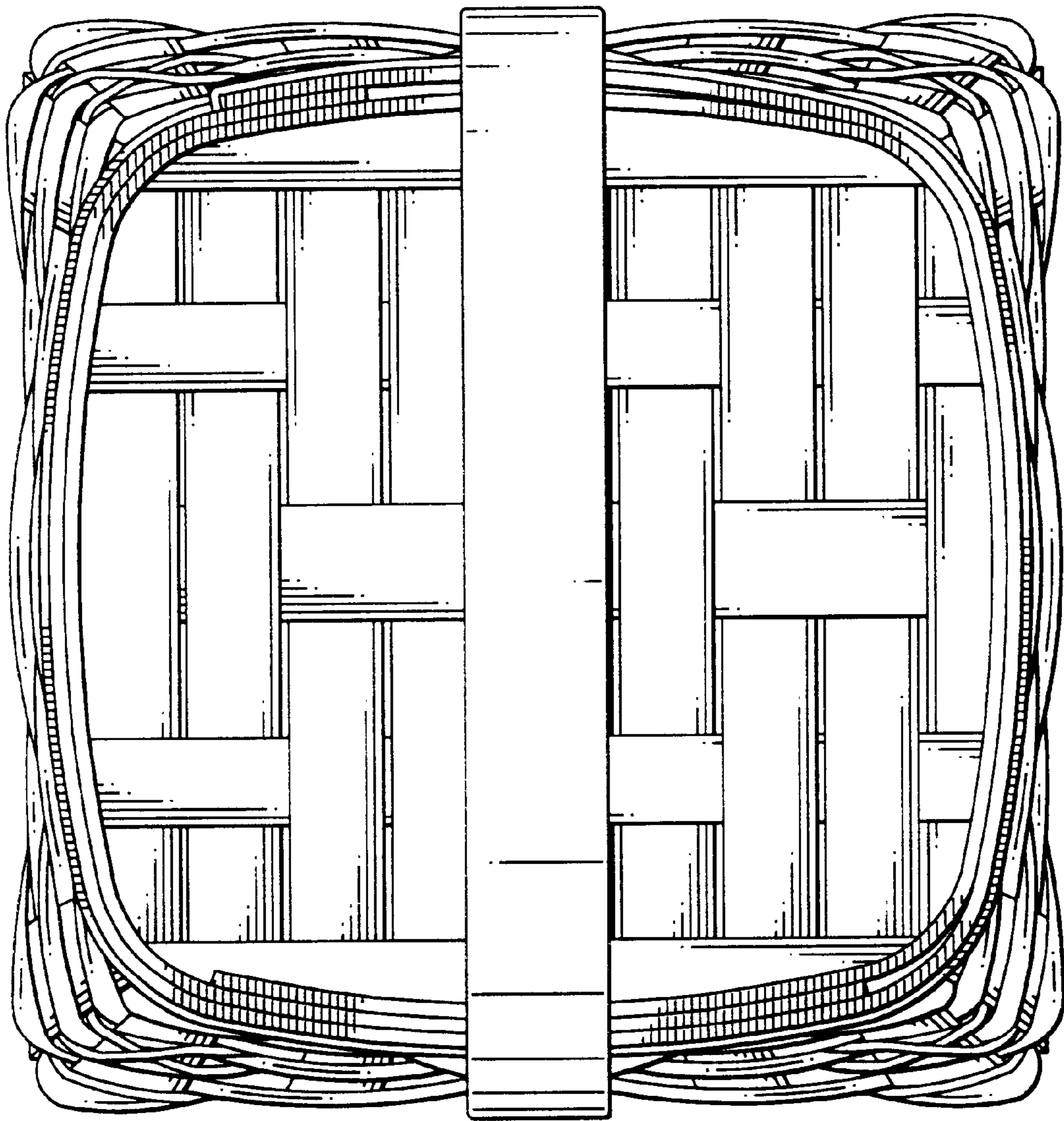


FIG.6

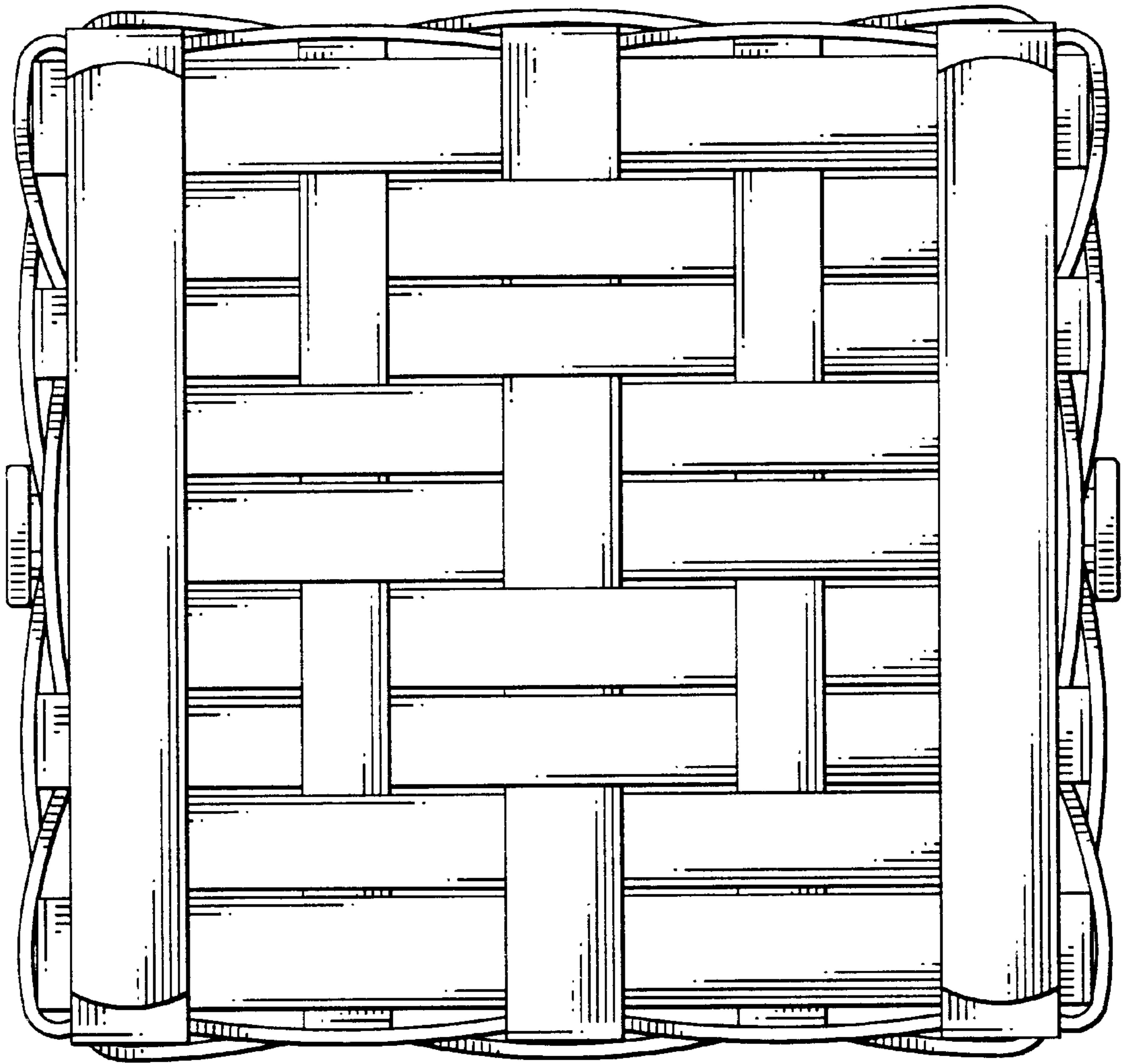


FIG. 7

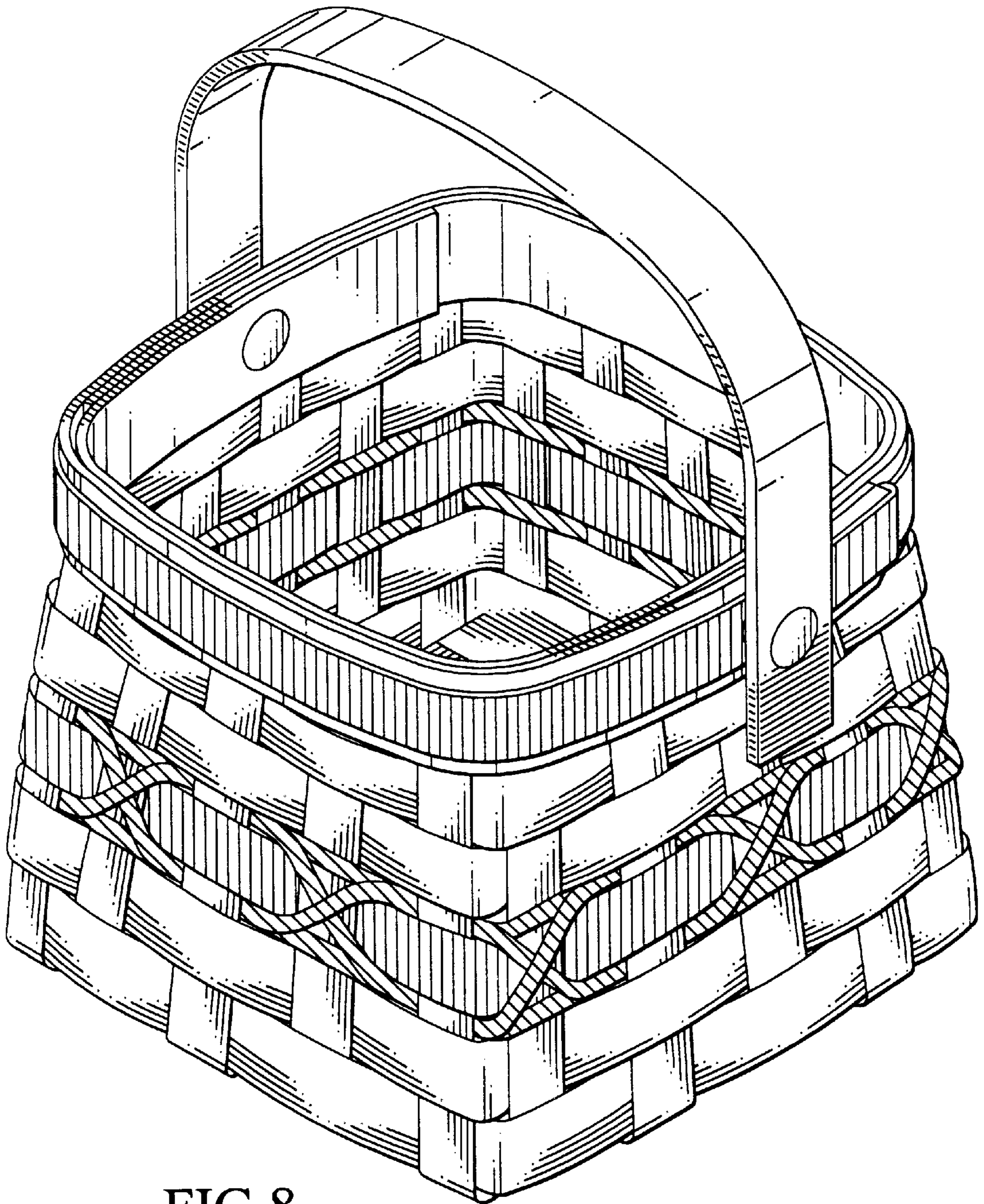


FIG. 8