



US00D469601S

(12) **United States Design Patent**  
**Scalise**

(10) **Patent No.:** **US D469,601 S**

(45) **Date of Patent:** **\*\* Feb. 4, 2003**

(54) **HOCKEY STICK FAN**

(75) Inventor: **Joseph C. Scalise**, Brooklyn, NY (US)

(73) Assignee: **Fans for the Fan, Inc.**, Brooklyn, NY (US)

(\*\*) Term: **14 Years**

(21) Appl. No.: **29/144,045**

(22) Filed: **Jun. 25, 2001**

(51) **LOC (7) Cl.** ..... **03-04**

(52) **U.S. Cl.** ..... **D3/3**

(58) **Field of Search** ..... D3/1-4; 416/70 A;  
D21/727

(56) **References Cited**

**U.S. PATENT DOCUMENTS**

D24,903 S	*	11/1895	Elmore	.....	D3/3
D338,930 S	*	8/1993	Matchett et al.	.....	D21/727 X
D346,487 S	*	5/1994	Newman	.....	D3/2
D390,102 S	*	2/1998	Drew	.....	D21/727 X
D398,697 S	*	9/1998	Scordo	.....	D22/125
5,980,205 A	*	11/1999	Sue	.....	416/70 A X

\* cited by examiner

*Primary Examiner*—Louis S. Zarfaz

*Assistant Examiner*—Robert A Delehanty

(74) *Attorney, Agent, or Firm*—Amster, Rothstein & Ebenstein

(57) **CLAIM**

The ornamental design for a hockey stick fan, as shown and described.

**DESCRIPTION**

FIG. 1 is a front elevational view of a hockey stick fan showing my new design;

FIG. 2 is a left side elevational view thereof;

FIG. 3 is a right side elevational view thereof;

FIG. 4 is a rear elevational view thereof;

FIG. 5 is an enlarged top plan view thereof;

FIG. 6 is an enlarged bottom plan view thereof;

FIG. 7 is an enlarged sectional view thereof taken along the line 7—7 of FIG. 1;

FIG. 8 is a front elevational view showing the fan in an open position thereof; and,

FIG. 9 is a top plan view showing the fan in an open position thereof.

**1 Claim, 4 Drawing Sheets**

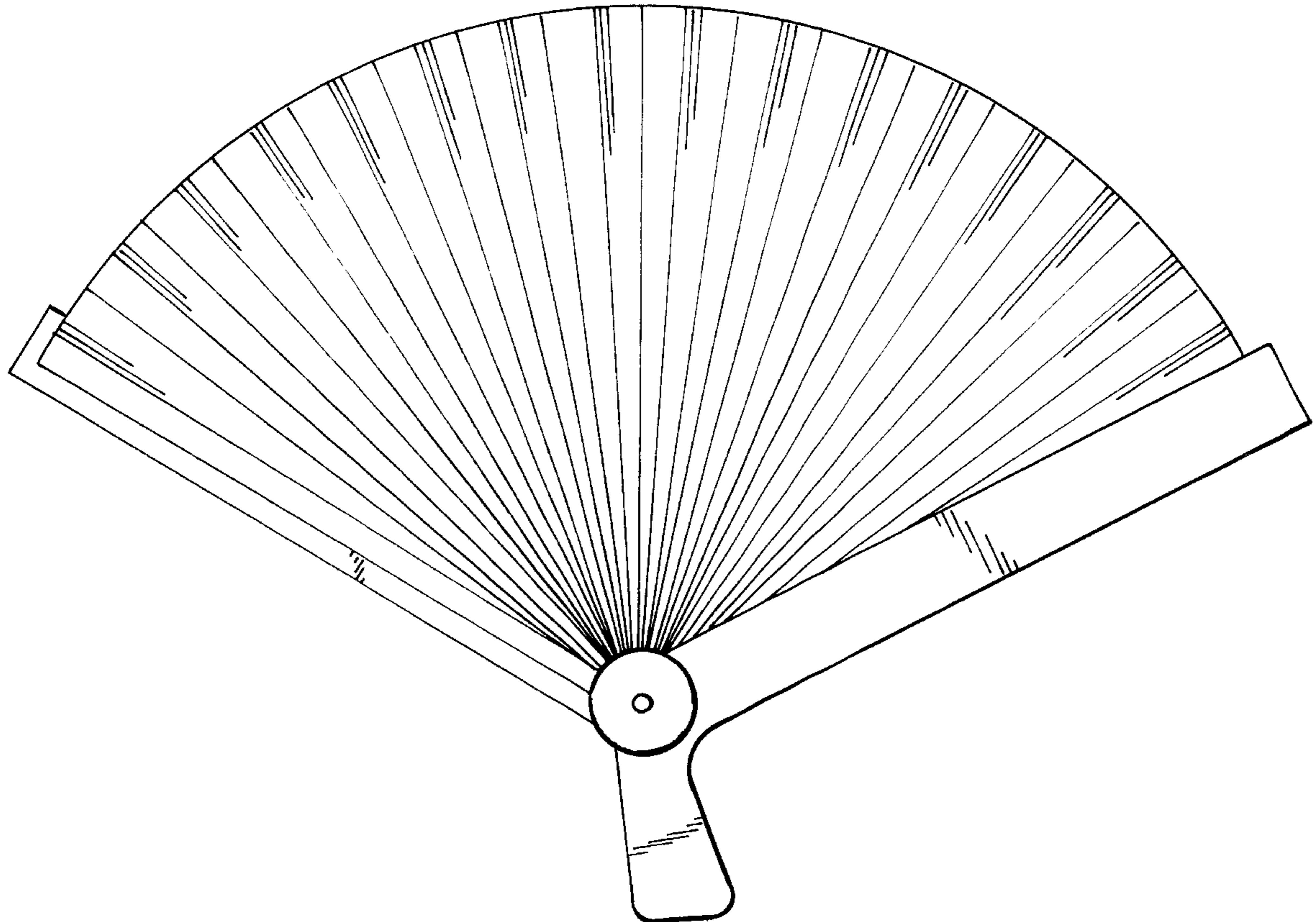


FIG. 1

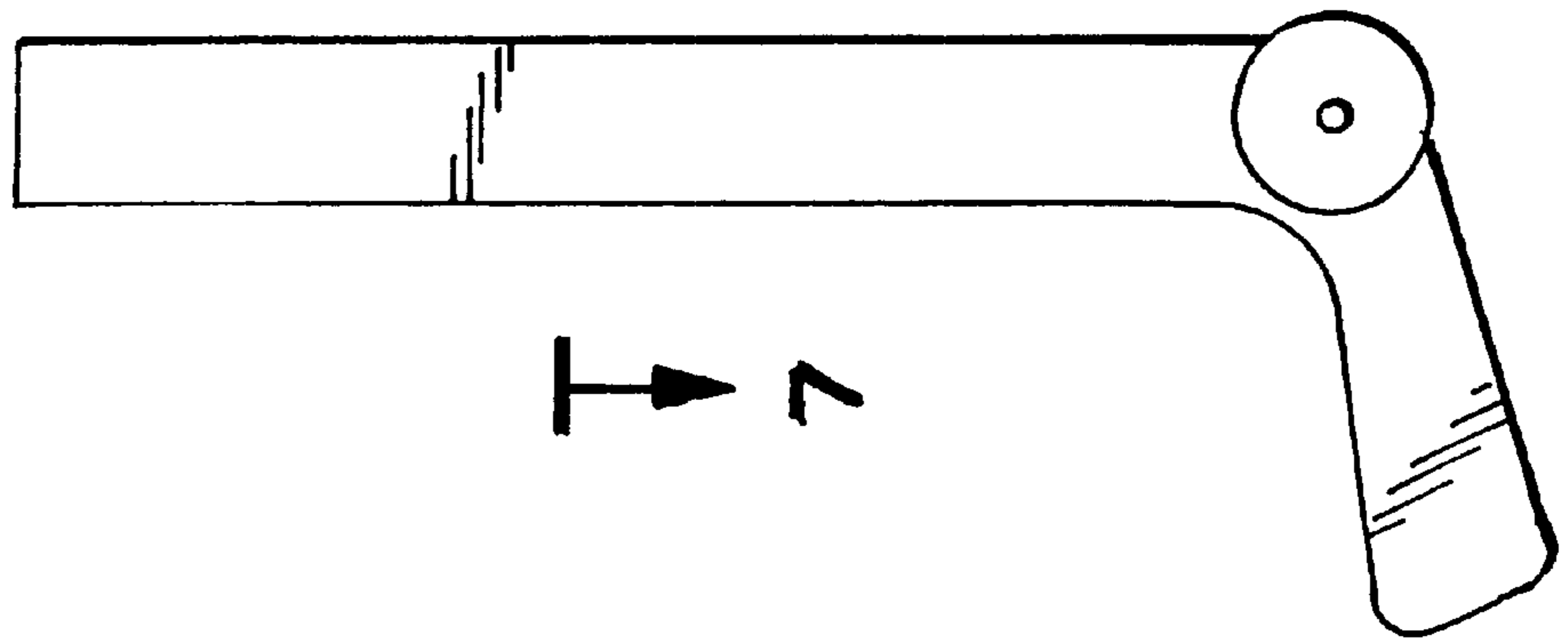


FIG. 3

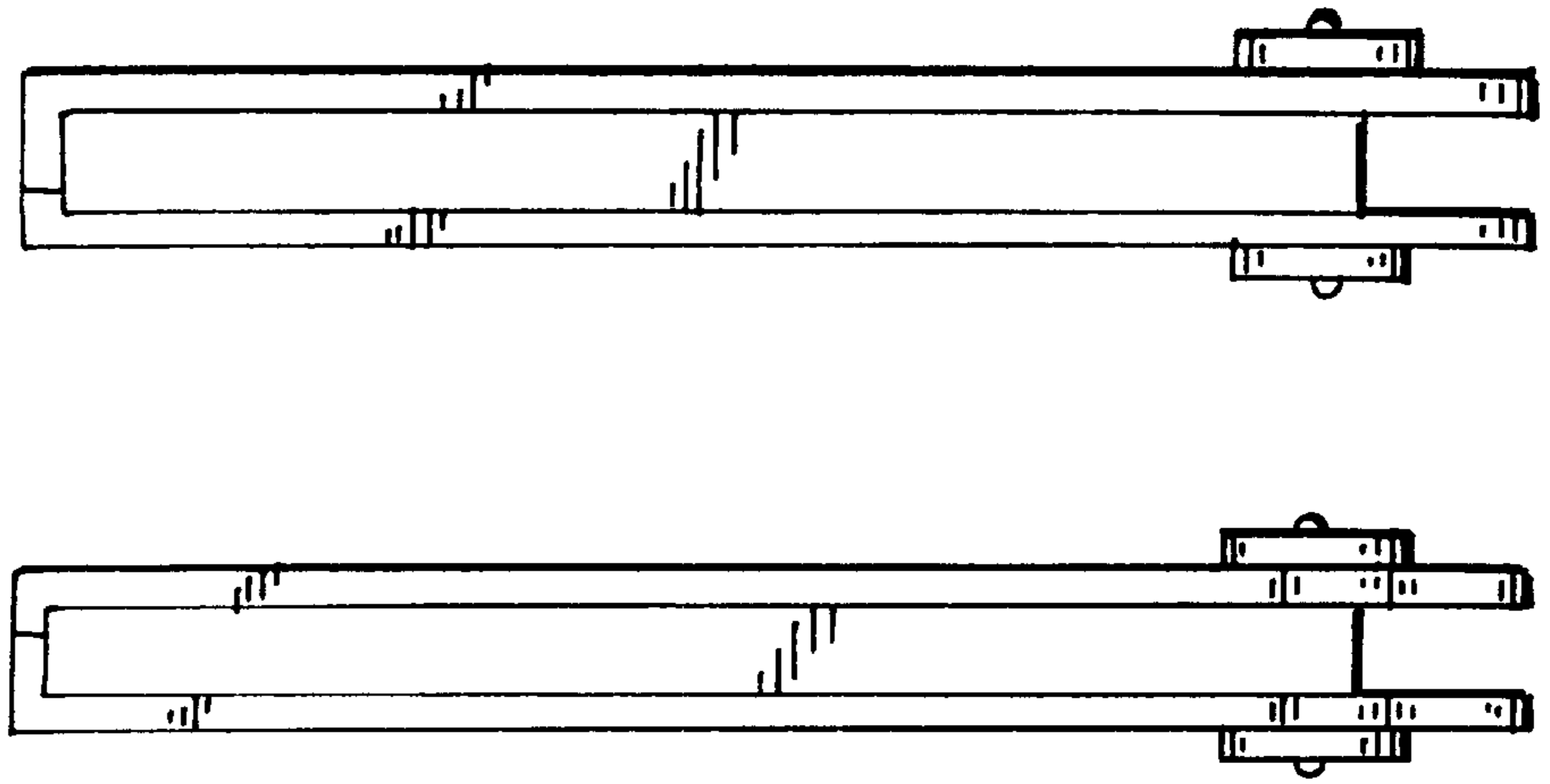


FIG. 2

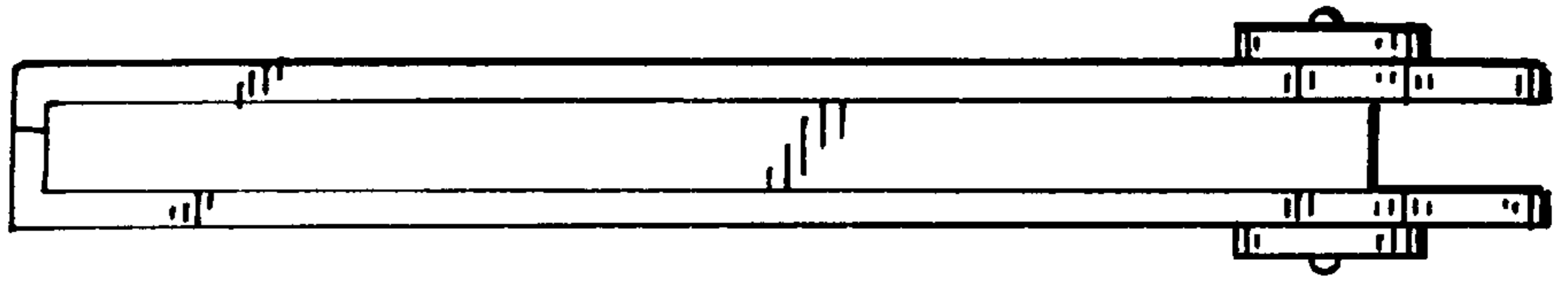


FIG. 4

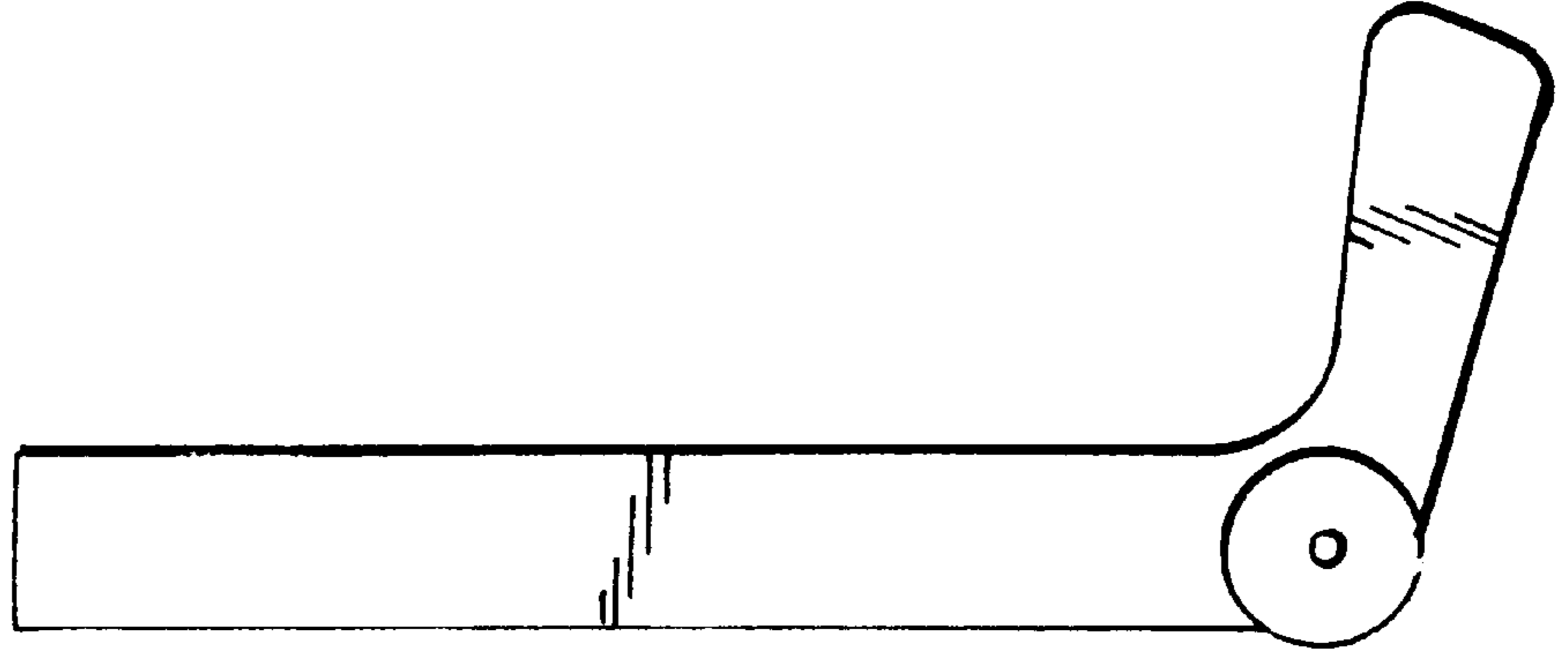


FIG. 5

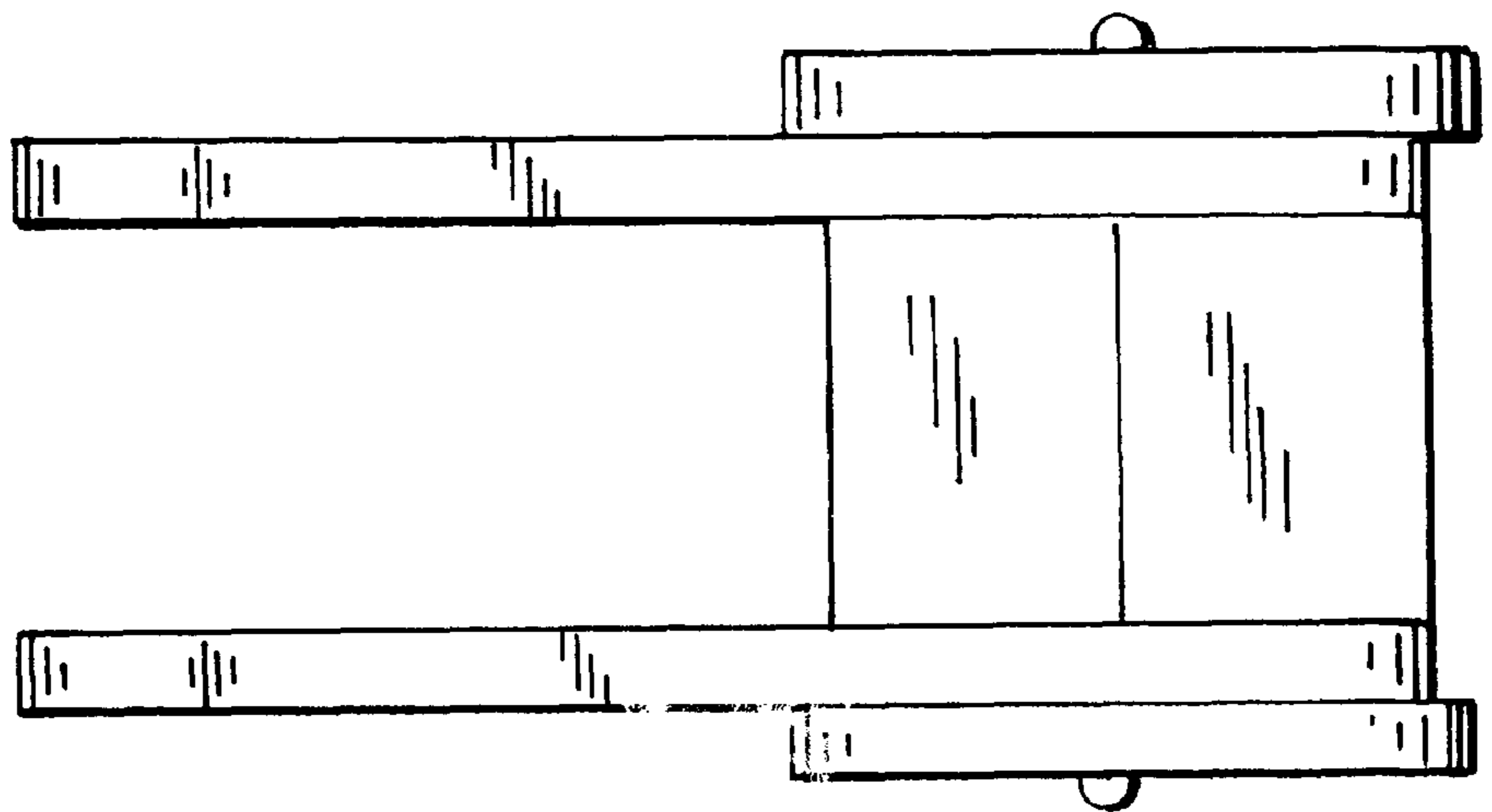
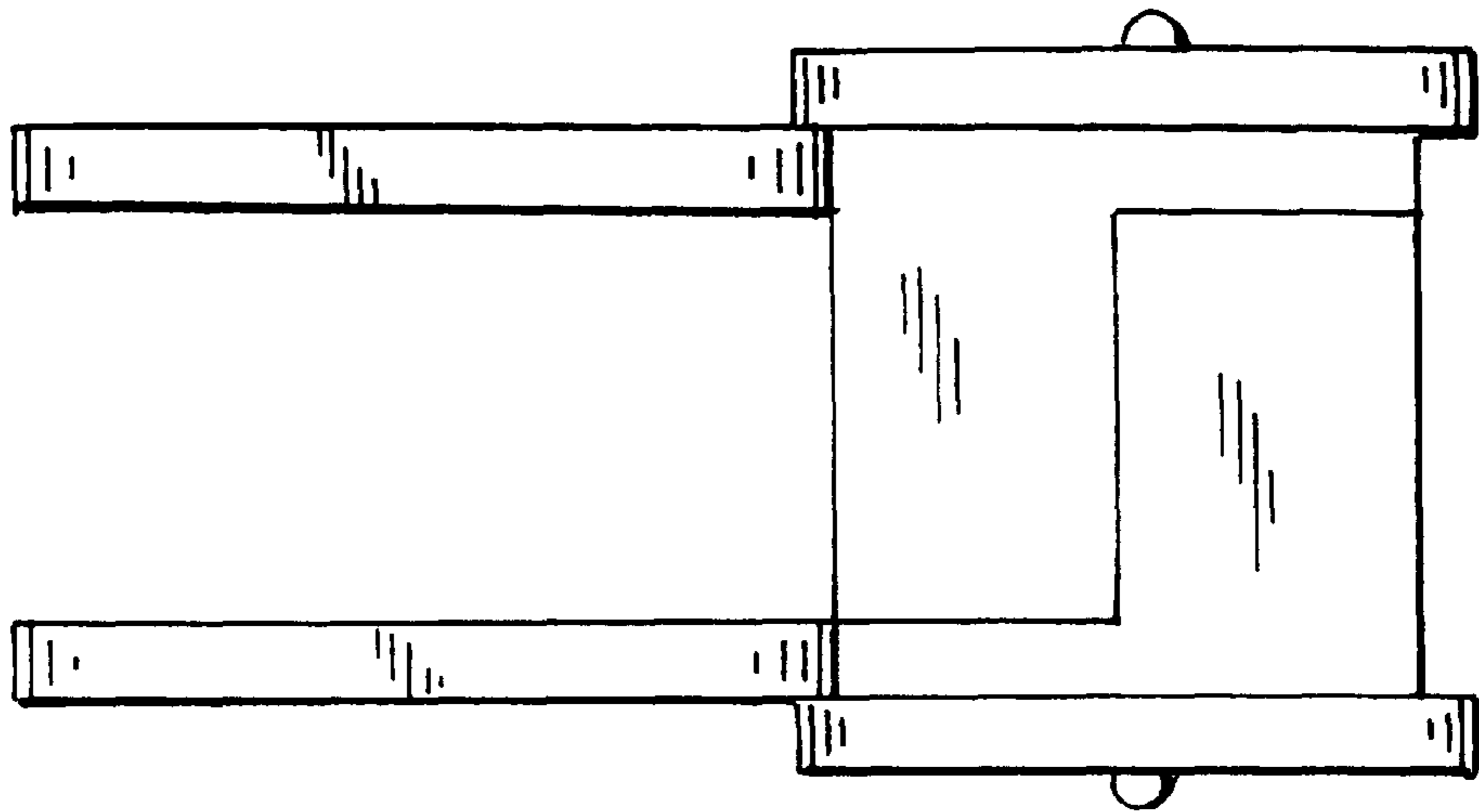


FIG. 6

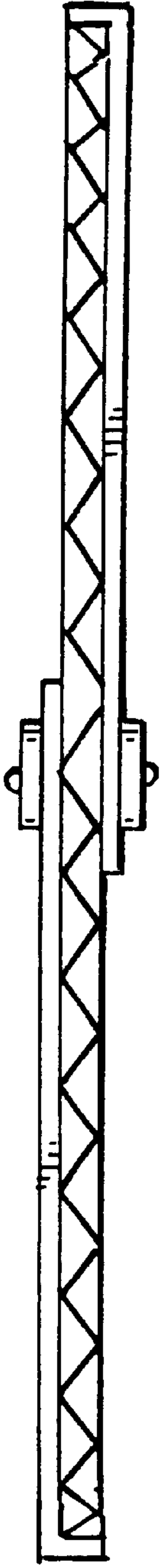


FIG. 9

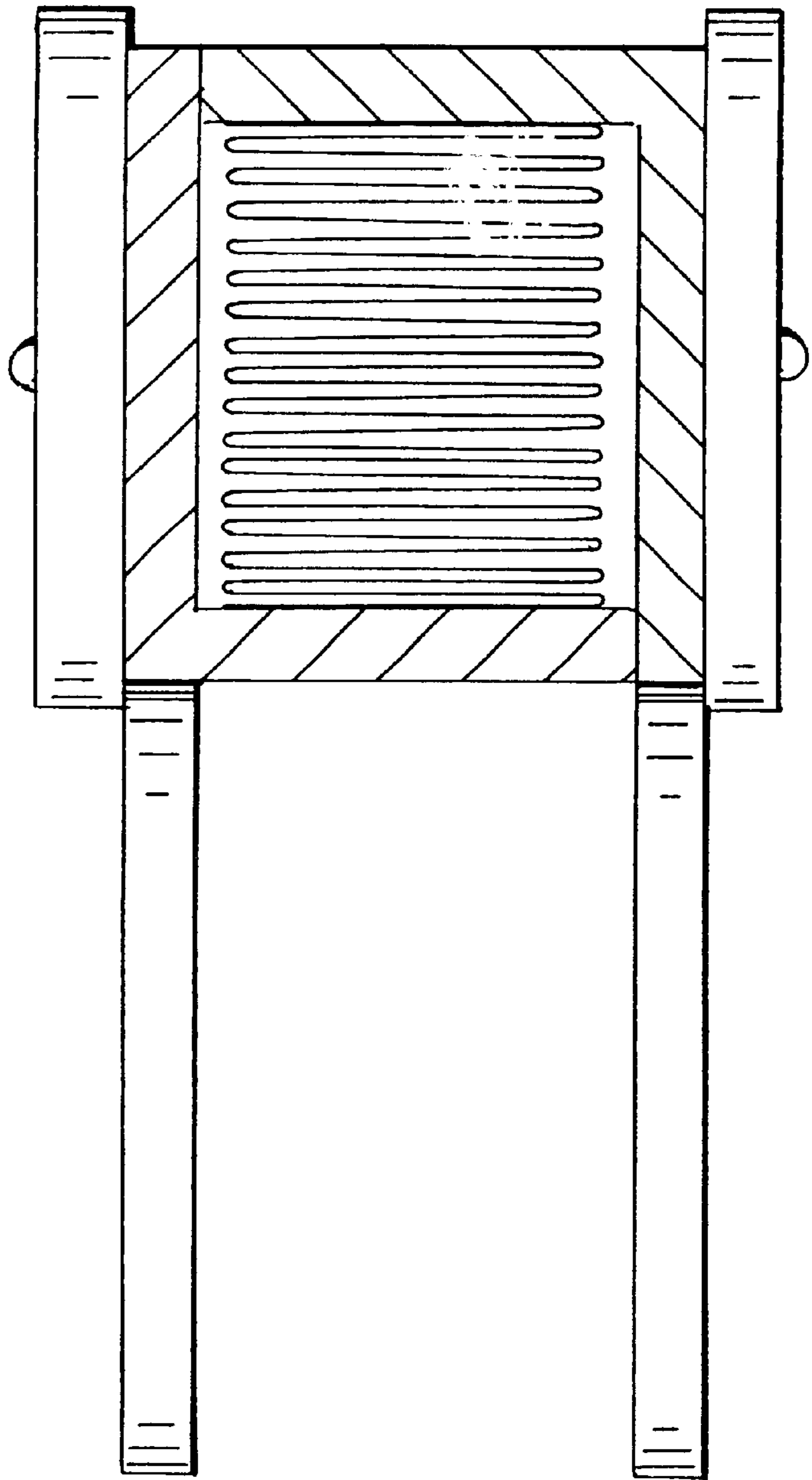


FIG. 7

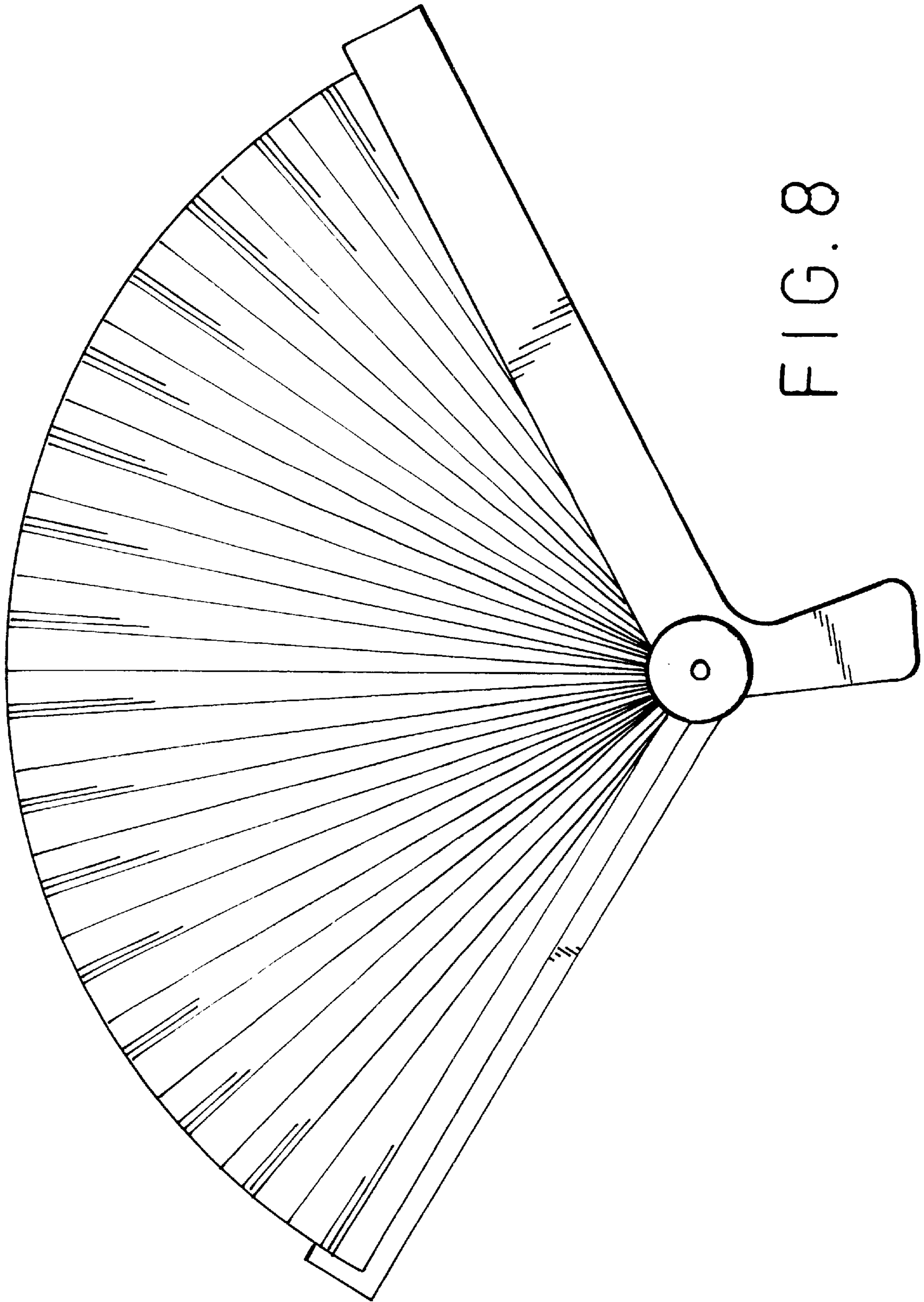


FIG. 8