



US00D469593S

(12) **United States Design Patent**  
**Funk et al.**

(10) **Patent No.: US D469,593 S**

(45) **Date of Patent: \*\* Feb. 4, 2003**

(54) **CEREAL BAR HAVING A CEREAL PIECE INCLUDED THEREON**

(75) Inventors: **Dean F Funk**, Brooklyn Park, MN (US); **Dena K Strehlow**, Maple Grove, MN (US)

(73) Assignee: **General Mills, Inc.**, Minneapolis, MN (US)

(\*\*) Term: **14 Years**

(21) Appl. No.: **29/111,592**

(22) Filed: **Sep. 30, 1999**

(51) **LOC (7) Cl. .... 01-01**

(52) **U.S. Cl. .... D1/101**

(58) **Field of Search** ..... D1/125-128, 129, D1/199, 100, 101; 426/18, 89, 104, 19, 549, 559, 560, 618-622, 439, 449, 450, 281, 282, 452, 453, 458

(56) **References Cited**

**U.S. PATENT DOCUMENTS**

D119,054 S	*	2/1940	Tolmack	.....	D1/128
D212,070 S	*	8/1968	Hreschak	.....	D1/128
D213,034 S	*	12/1968	Slaybaugh	.....	D1/128
4,055,669 A		10/1977	Kelly et al.	.....	426/93
D334,274 S	*	3/1993	Creighton et al.	.....	D1/128
D347,515 S	*	6/1994	Creighton et al.	.....	D1/128
5,612,074 A		3/1997	Leach	.....	426/74
D409,355 S		5/1999	Citarella et al.	.....	D1/107

**OTHER PUBLICATIONS**

“Crunchy Nut (Australia) (Corn Flake Cereal Bars)”, *Kellogg’s*, 2 pages, (Feb. 1998).

“Nutri Grain Twists”, *Kellogg’s*, 2 pages, (Oct. 1998).

“Packaging Label for Balance”, *Bio-Foods*, 2 pages, (1994).

“Packaging Label for Balance Outdoor”, *Balance Bar*, 1 page, (Jul. 1999).

“Packaging Label for Boost”, *Mead Johnson*, 1 pages, (Feb. 1998).

“Packaging Label for Breakfast Bars”, *Hain Pure Foods*, 2 pages, (Jun. 1997).

“Packaging Label for Breakfast Squares”, *General Mills*, 2 pages, (Apr. 1970).

“Packaging Label for Breakthru Nutrition Bar”, *Glenn Foods*, 1 page, (Mar. 1998).

“Packaging Label for Cap’n Crunch Treats”, *Quaker*, 2 pages, (Mar. 1997).

“Packaging Label for Carnation Instant Breakfast Bars”, *Nestle*, 2 pages, (prior to 1997).

“Packaging Label for Chewy Granola Bars”, *Quaker*, 2 pages, (Jan. 1990).

“Packaging Label for Clif Bar”, *Kali’s SportsNaturals*, 1 page, (Sep. 1991).

“Packaging Label for Clif Kicks Bar”, *Kali’s SportsNaturals*, 2 pages, (Jul. 1997).

“Packaging label for Coco Pops Cereal & Milk Bars”, *Kellogg’s*, 1 page, (1999).

“Packaging Label for Corny Snack Bars”, *Schwartz*, 2 pages, (Nov. 1999).

(List continued on next page.)

*Primary Examiner*—Alan P. Douglas

*Assistant Examiner*—Linda Brooks

(74) *Attorney, Agent, or Firm*—John A. O’Toole; Douglas J. Taylor; Barbara G. Clark

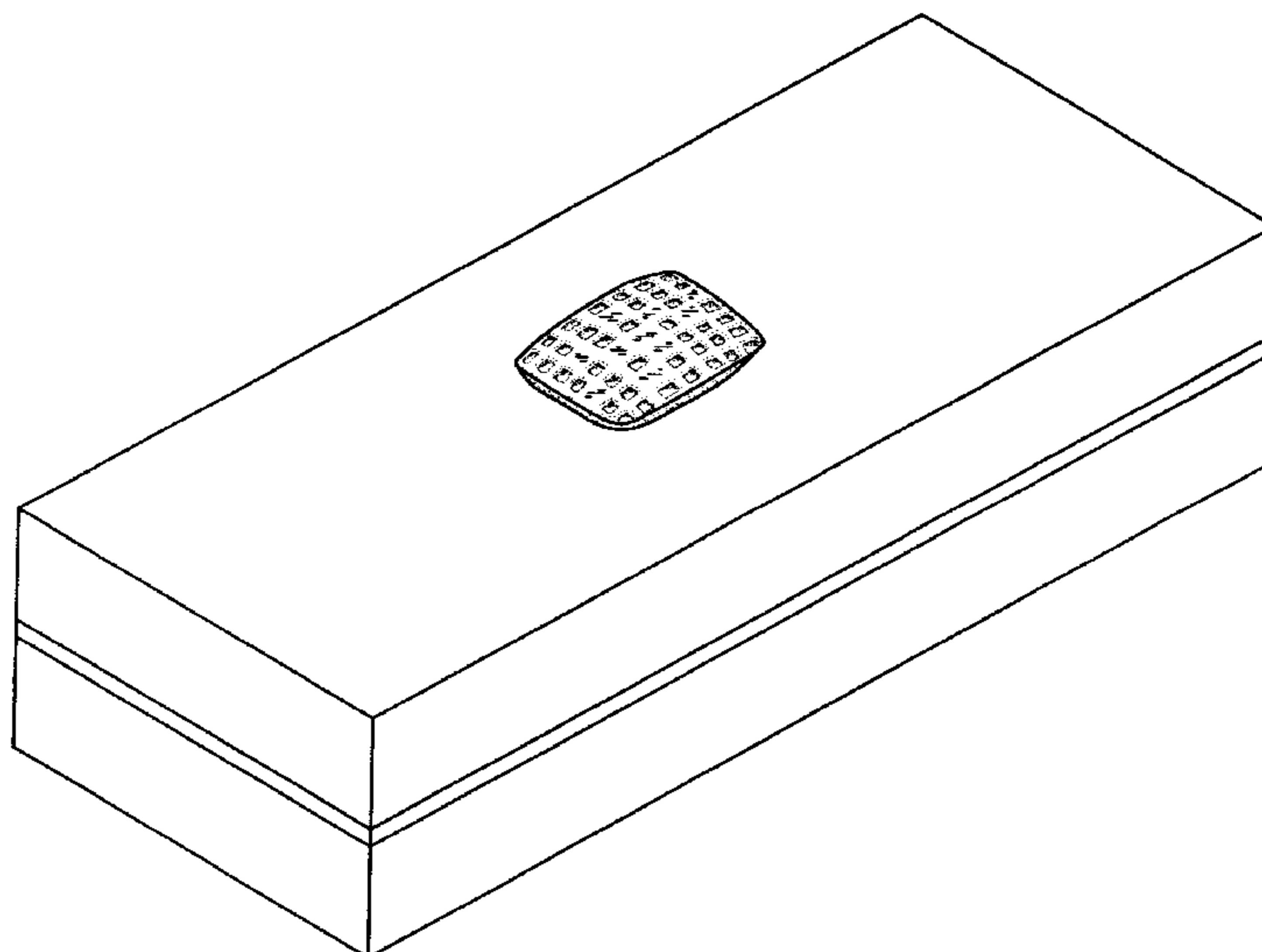
(57) **CLAIM**

The ornamental design for a cereal bar having a cereal piece included thereon, as shown and described.

**DESCRIPTION**

The FIGURE is a perspective view of a cereal bar having a cereal piece included thereon.

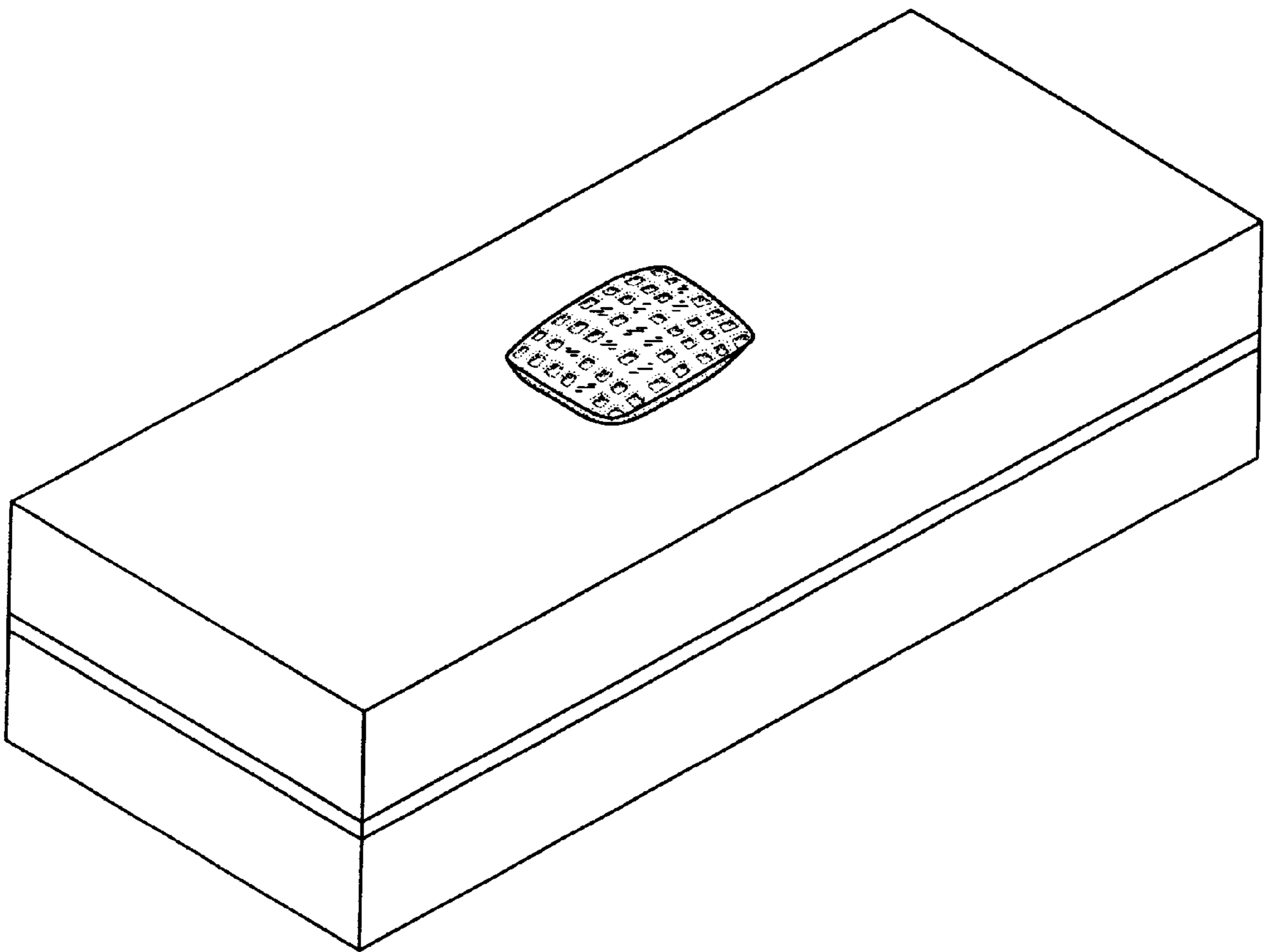
**1 Claim, 1 Drawing Sheet**



## OTHER PUBLICATIONS

- “Packaging Label for Diet Fuel”, *Twin Lab*, 1 page, (Jul. 1998).
- “Packaging Label for Edge Bar”, *Nutritional N–Er–G Products*, 2 pages, (Jul. 1991).
- “Packaging label for Frosties Cereal & Milk Bars”, *Kellogg’s*, 2 pages, (1999).
- “Packaging Label for Fruit and Oatmeal”, 2 pages, (May 1997).
- “Packaging Label for Glenny’s Chocolate Crunch”, *Glenn Foods*, 1 page, (Jan. 1996).
- “Packaging Label for Golden Grahams Treats”, *General Mills*, 3 pages, (Oct. 1996).
- “Packaging Label for Golf Pro Nutrition Bar”, 1 page, (Nov. 1993).
- “Packaging Label for Healthy Cheesecake Bars”, *Health Valley*, 1 page, (Jan. 1995).
- “Packaging Label for Hoffman’s Energy Bar”, *York Barbell*, 1 page, (Nov. 1997).
- “Packaging Label for Just Right Cereal Bars (Australia)”, *Kellogg’s’s*, 2 pages, (Feb. 1998).
- “Packaging Label for Kudos”, *Mars*, 2 pages, (Oct. 1989).
- “Packaging Label for Kushi Cuisine Crispy Rice Bars”, *Kushi Macrobiotics*, 1 page, (Jan. 1996).
- “Packaging Label for Luna Chocolate Pecan Pie”, *Clifbar*, 1 page, (Mar. 1999).
- “Packaging Label for Meal Pack”, *Bear Valley Foods*, 2 pages, (Sep. 1980).
- “Packaging Label for MET–Rx Food Bar”, *MET–Rx Substrate Technology*, 1 page, (Sep. 1992).
- “Packaging Label for Nature’s Choice Natural Delight Yogurt Dipped Desserts”, *Barbara’s Bakery*, 2 pages, (Jul. 1999).
- “Packaging Label for Nesquik Biscuit Sticks”, *Nestle*, 2 pages, (Sep. 1999).
- “Packaging Label for Nurti Grain”, *Kellogg’s*, 2 pages, (Mar. 1991).
- “Packaging label for Nutri–Grain Twists”, *Kellogg’s*, Forest Fruits and Yogurt, 1 page, (1998).
- “Packaging Label for Oatmeal Creme Bar Chewy Whole Grain Snack Bar”, *Starbucks*, 1 page, (Dec. 1998).
- “Packaging Label for Power Bar”, *Powerfood*, 1 page, (Jun. 1991).
- “Packaging Label for Pro Tour”, *Barbara’s Bakery*, 1 page, (Jan. 1996).
- “Packaging Label for Prozone”, *Nutriiotic*, 1 page, (Aug. 1996).
- “Packaging Label for Rice Cake Sandwich Choco and Cheese”, *Granco*, 4 pages, (Jul. 1999).
- “Packaging Label for Rice Krispies Treats Chocolate Chip”, *Kellogg’s*, 2 pages, (May 1997).
- “Packaging Label for Rice Krispies Treats Cocoa Crispy Marshmallow Squares”, *Kellogg’s*, 1 page, (Apr. 1999).
- “Packaging Label for Rice Krispies Treats Peanut Butter Chocolate”, *Kellogg’s*, 3 pages, (Apr. 1999).
- “Packaging Label for Shaqbar”, *Amway*, 2 pages, (Oct. 1995).
- “Packaging Label for Snackwell’s’s Hearty Fruit’n Grain Cereal Bars”, *Nabisco*, 1 page, (prior to 1999).
- “Packaging Label for Source Bar”, *Empowered Athletics*, 1 page, (Aug. 1996).
- “Packaging Label for Stoker Energy Bar”, *BTU Stoker*, 1 page, (May 1994).
- “Packaging Label for Sustain Cereal Bars (Australia)”, *Kellogg’s*, 2 pages, (Feb. 1998).
- “Packaging label for Think Interactive Bar”, *Personal Health Development*, 4 pages, (Jan. 1996).
- “Packaging Label for Trek Barr”, *Mountain Biscuit*, 1 page, (Feb. 1997).
- “Packaging Label for Whole Grain Bars”, *Earth’s Best*, 2 pages, (May 1996).
- “Packaging Label for New Yorker Breakfast Bar”, *Renshaw Scott Ltd. (England)*, 2 pages, (Jul. 1999).
- “Packaging Label for Oreo Granola Bars”, *Nabisco*, 2 pages, (Mar. 1994).
- “Packaging Label for Snackwell’s Cereal Bars”, *Nabisco*, 2 pages, (Jun. 1996).
- “Power Bark for Fido”, *Food Processing*, Advertisement, 1 page, (May 1999).

\* cited by examiner



UNITED STATES PATENT AND TRADEMARK OFFICE  
**CERTIFICATE OF CORRECTION**

PATENT NO. : Des. 469,593 S  
DATED : February 4, 2003  
INVENTOR(S) : Dean F. Funk and Dena K. Strelow

Page 1 of 2

It is certified that error appears in the above-identified patent and that said Letters Patent is hereby corrected as shown below:

Title page,

Item [56], **References Cited**, OTHER PUBLICATIONS, insert -- Clif raises the bar, *Food Processing*, Advertisement, 1 page, (May, 1999) --;

"Crunchy Nut (Australia) Corn Flake Cereal Bars)", reference, insert -- Packaging Label for -- before "Crunchy Nut";

"Nutri Grain Twists", reference, insert -- Packaging Label for -- before "Nutri Grain";

"Packaging Label for Clif Bar", reference, delete "*SportsNaturals*" and insert -- Sports Naturals -- therefor;

"Packaging Label for Clif Kicks Bar", reference, delete "Kali's SprtsNaturals" and insert -- Kali's Sports Naturals --;

"Packaging label for Coco Pops Cereal & Milk Bars", reference, delete "label" after "Packaging" and insert -- Label -- therefor;

"Packaging label for Frosties Cereal & Milk Bars" reference, delete "label" after "Packaging" and insert -- Label -- therefor;

"Packaging Label for Fruit and Oatmeal", reference, insert -- Quaker, -- before "2";

"Packaging Label for Just Right Cereal Bars (Australia)", reference, delete "*Kellogg's's*" and insert -- *Kellogg's* -- therefor;

"Packaging Label for Nurti Grain", reference, delete "Nurti" and insert -- Nutri -- therefor;

"Packaging Label for Nutri-Grain Twists", reference, delete "Nutri-Grain" and insert -- Nutri Grain -- therefor;

"Packaging Label for Prozone", reference, "*Nutriiotic*" and insert -- *NutriBiotic* -- therefor;

UNITED STATES PATENT AND TRADEMARK OFFICE  
**CERTIFICATE OF CORRECTION**

PATENT NO. : Des. 469,593 S  
DATED : February 4, 2003  
INVENTOR(S) : Dean F. Funk and Dena K. Strelow

Page 2 of 2

It is certified that error appears in the above-identified patent and that said Letters Patent is hereby corrected as shown below:

OTHER PUBLICATIONS cont'd,

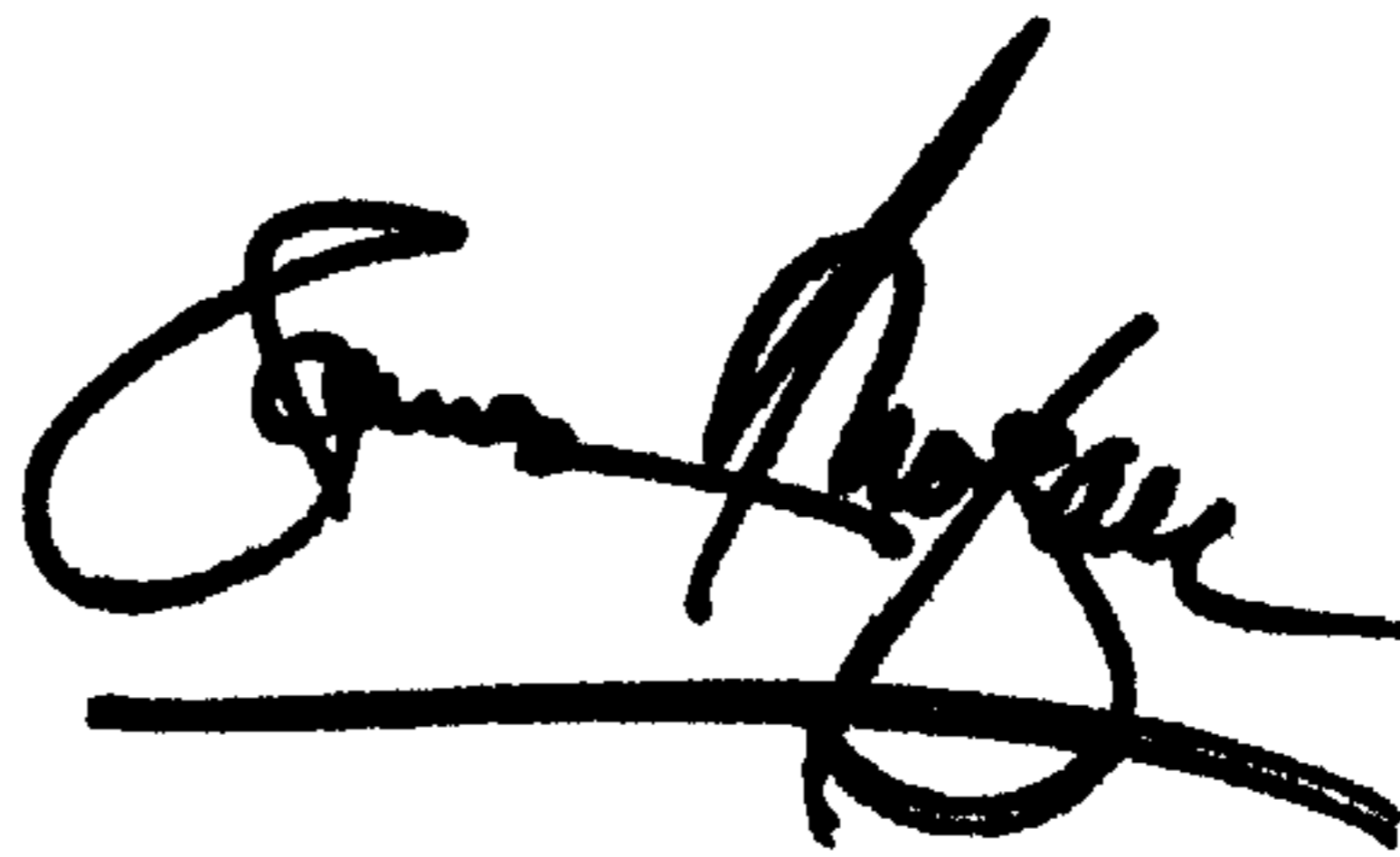
"Packaging Label for Snackwell's's Hearty Fruit'n Grain Cereal Bars", reference, delete "Snackwell's's" and insert -- Snackwell's -- therefor.

"Packaging label for Whole Grain Bars", reference, delete "label" after

"Packaging" and insert -- Label -- therefor.

Signed and Sealed this

Twenty-third Day of September, 2003

A handwritten signature in black ink, appearing to read "James E. Rogan", written over a horizontal line.

JAMES E. ROGAN  
*Director of the United States Patent and Trademark Office*