



US00D469591S

(12) **United States Design Patent**
Vanderminden

(10) **Patent No.:** **US D469,591 S**

(45) **Date of Patent:** **** Jan. 28, 2003**

(54) **SERVING CART**

(75) **Inventor:** **William M. Vanderminden**, Granville, NY (US)

(73) **Assignee:** **Telescope Casual Furniture Co.**, Granville, NY (US)

(**) **Term:** **14 Years**

(21) **Appl. No.:** **29/162,954**

(22) **Filed:** **Jun. 25, 2002**

(51) **LOC (7) Cl.** **12-02**

(52) **U.S. Cl.** **D34/21; D34/24**

(58) **Field of Search** D34/12-27; D6/477, D6/478, 479, 480; 280/79.11, 79.2, 79.3, 47.34, 47.35; 108/59, 111, 153

(56) **References Cited**

U.S. PATENT DOCUMENTS

D381,168 S * 7/1997 Delmerico et al. D34/21

D430,964 S * 9/2000 Liaw D34/21

D450,486 S * 11/2001 Stafford et al. D6/474

D456,639 S * 5/2002 Vaaler D6/474

D463,086 S * 9/2002 Harwanko D34/21

* cited by examiner

Primary Examiner—Kay H. Chin

(74) *Attorney, Agent, or Firm*—Francis C. Hand, Esq.; Carella, Byrne, Bain, et al.

(57) **CLAIM**

The ornamental design of a serving cart, as shown and described.

DESCRIPTION

FIG. 1 is a perspective front view of a serving cart in accordance with the invention;

FIG. 2 is a left side view of the serving cart of FIG. 1;

FIG. 3 is a front view of the serving cart of FIG. 1, the back view of which is a mirror image; and,

FIG. 4 is a top view of the serving cart of FIG. 1.

1 Claim, 4 Drawing Sheets



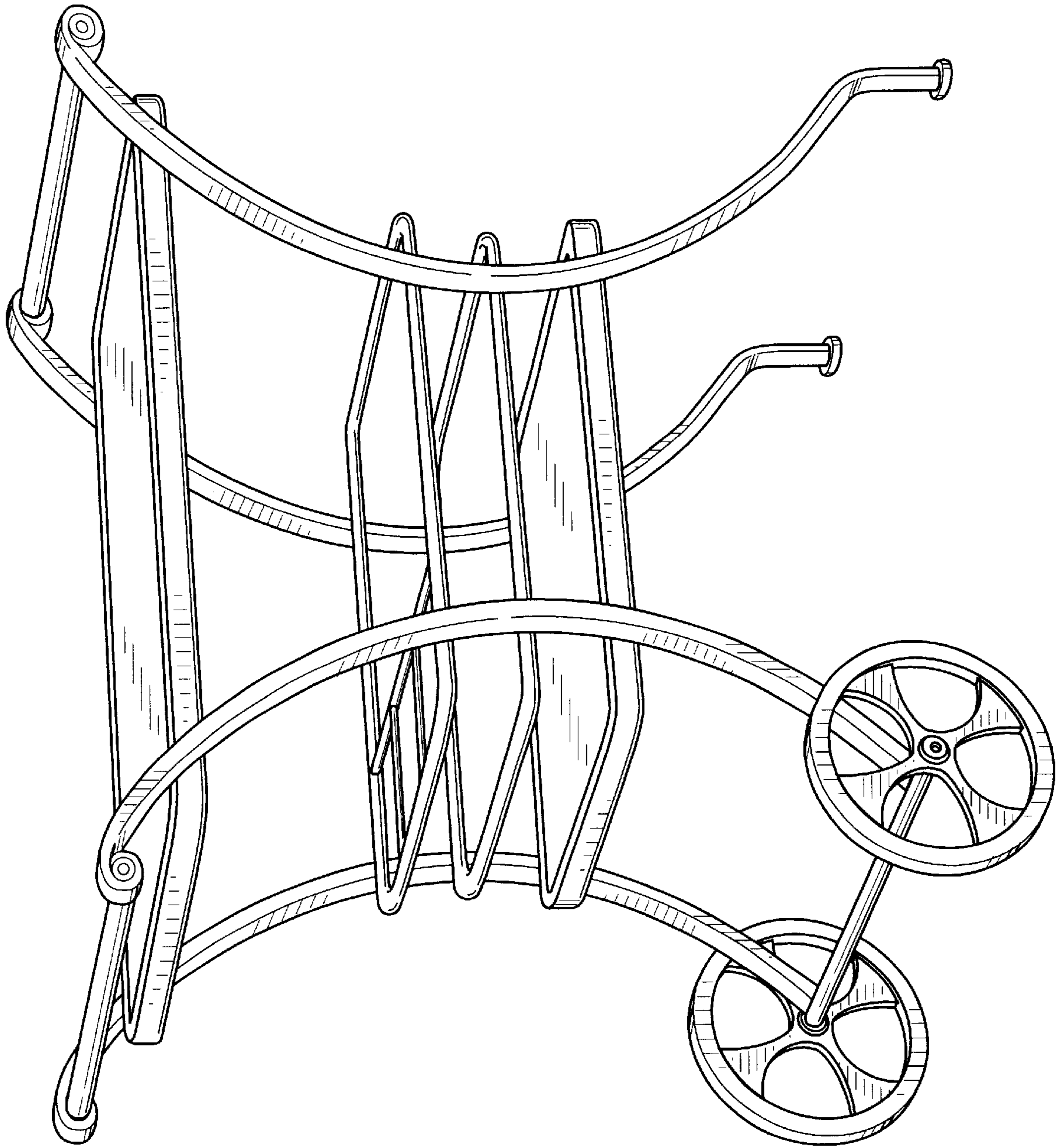


FIG. 1

FIG. 2

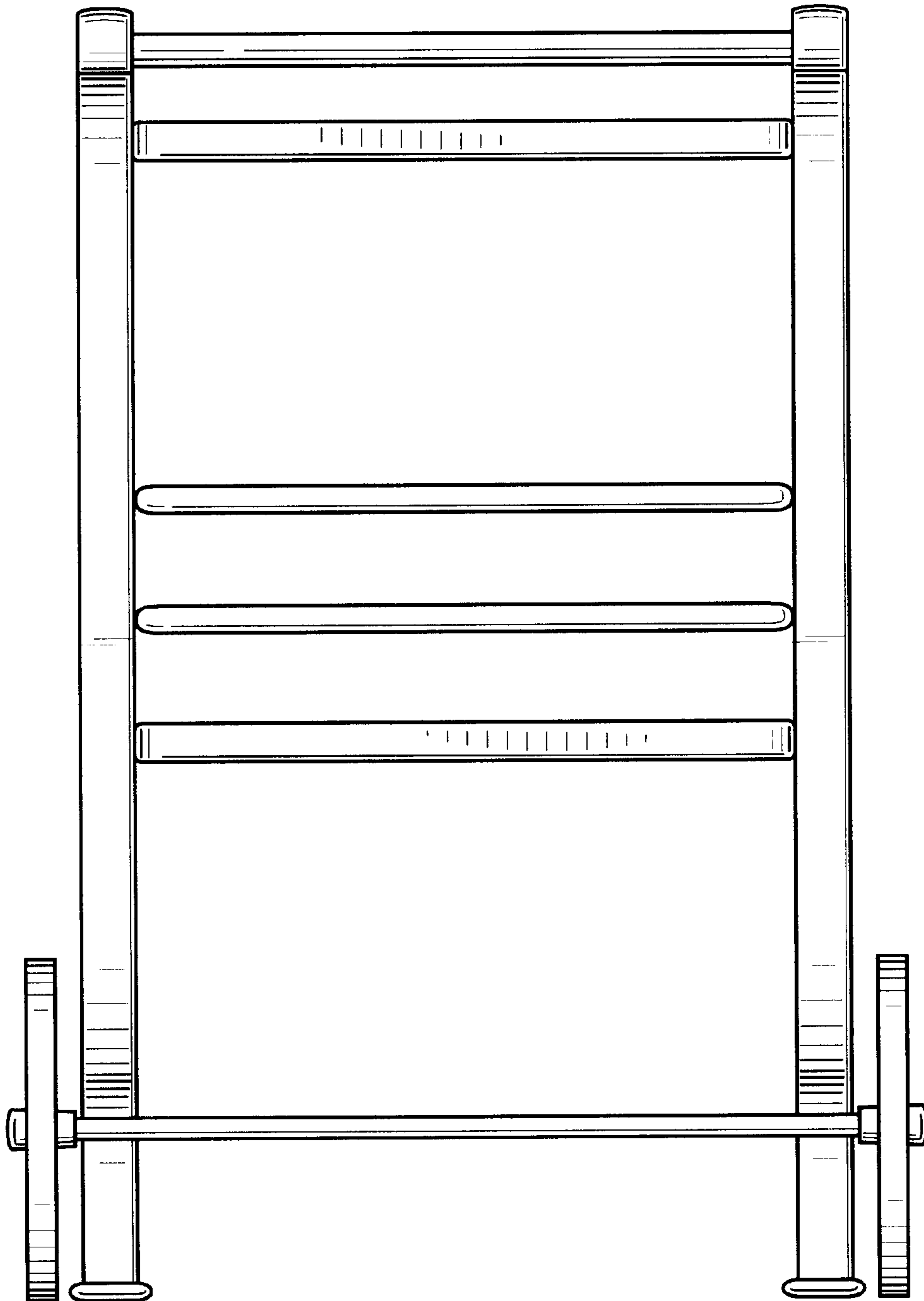


FIG. 3

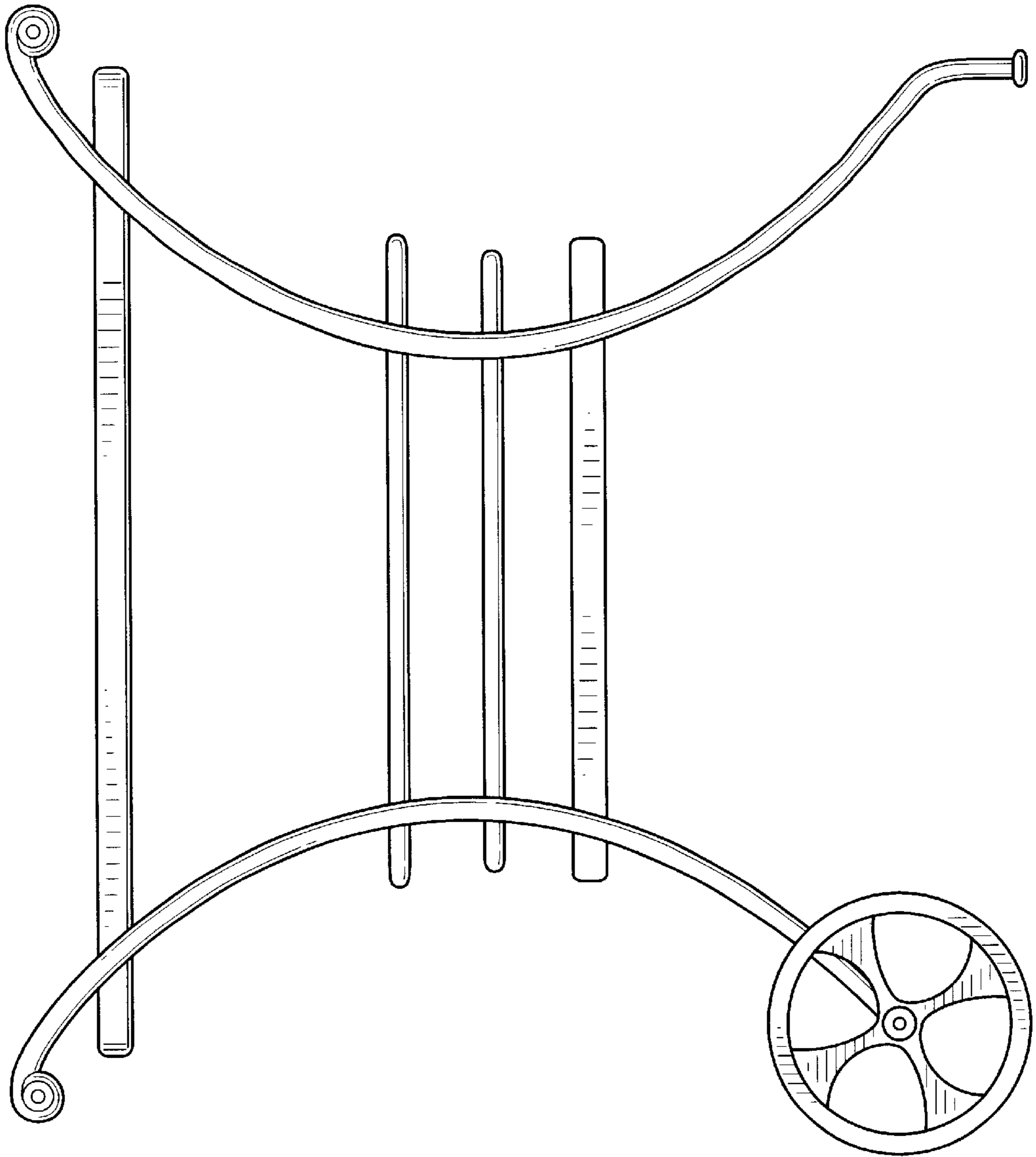


FIG. 4

