



US00D469589S

(12) **United States Design Patent**
Wichmann et al.

(10) **Patent No.:** **US D469,589 S**
(45) **Date of Patent:** **** Jan. 28, 2003**

(54) **POOL CLEANER**

(75) Inventors: **Jeffrey A. Wichmann**, Cardiff, CA (US); **Gerhardus J. Stoltz**, Temecula, CA (US); **Arunabh Lath**, La Mesa, CA (US); **Steven E. Smart**, Ramona, CA (US); **David A. Klimas**, Ramona, CA (US); **David J. Peterson, Jr.**, San Diego, CA (US)

(73) Assignee: **Polaris Pool Systems, Inc.**, Vista, CA (US)

(**) Term: **14 Years**

(21) Appl. No.: **29/156,309**

(22) Filed: **Feb. 25, 2002**

(51) **LOC (7) Cl.** **15-05**

(52) **U.S. Cl.** **D32/15; D32/25**

(58) **Field of Search** **D32/1, 15, 25; 55/370, 374, 376-379, 381, 386, 507; 15/1.7; 180/7.1, 7.3, 1 R, 116, 119-120, 130, 66 R; 210/167 R, 416.2, 460**

(56) **References Cited**

U.S. PATENT DOCUMENTS

3,822,754 A * 7/1974 Henkin et al. 180/7.1
3,972,339 A * 8/1976 Henkin et al. 134/168 R
4,558,479 A * 12/1985 Greskovics et al. 15/1.7

4,618,420 A * 10/1986 Alanis 210/169
4,722,110 A * 2/1988 Chandler 15/1.7
D376,450 S * 12/1996 Campbell et al. D32/1
D418,640 S * 1/2000 Veloskey et al. D32/1

* cited by examiner

Primary Examiner—Nelson C. Holtje
(74) *Attorney, Agent, or Firm*—Kelly Bauersfeld Lowry & Kelley, LLP

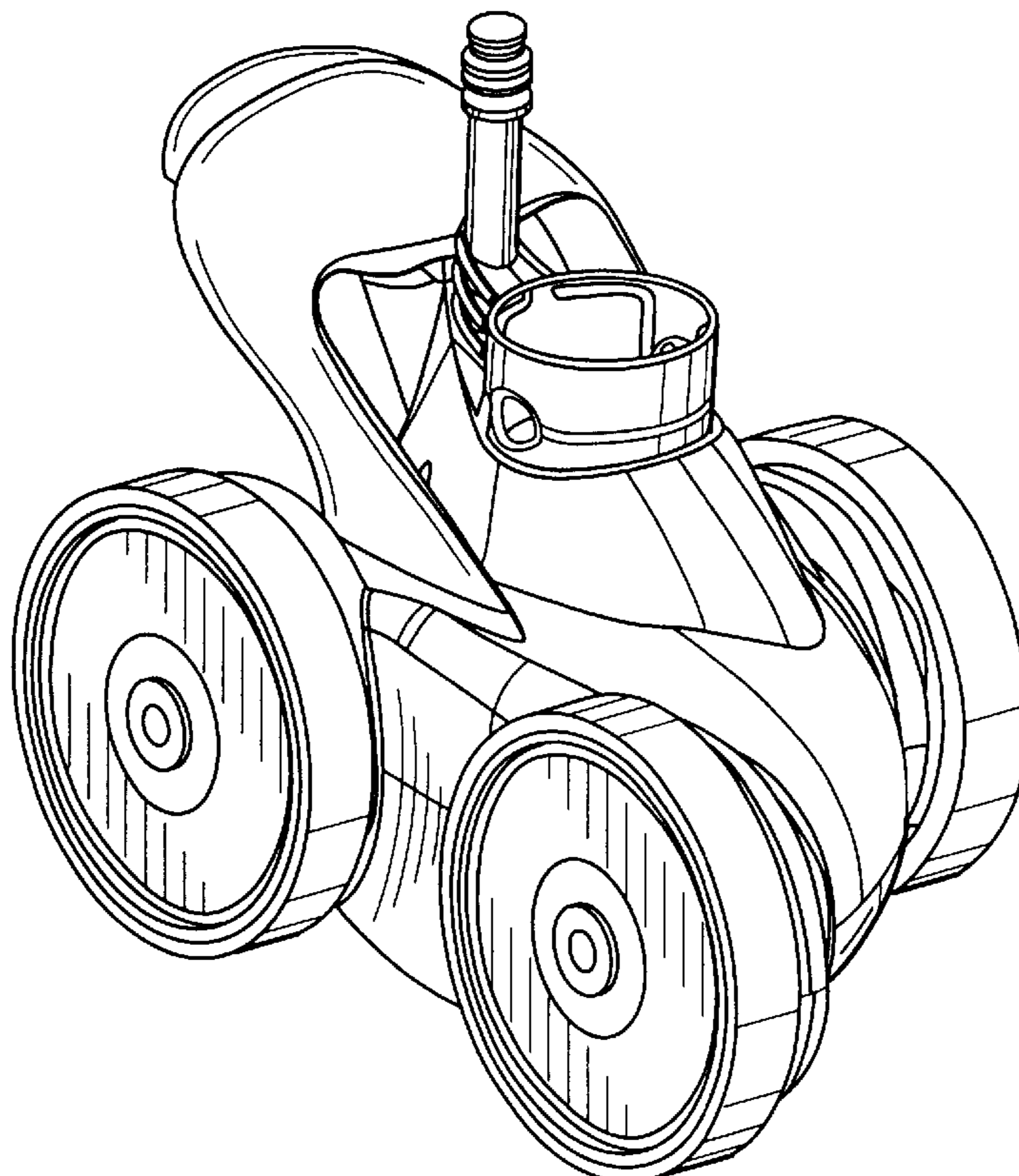
(57) **CLAIM**

The ornamental design for a pool cleaner, substantially as shown.

DESCRIPTION

FIG. 1 is a perspective view showing the front, top and left sides of a pool cleaner embodying the new design;
FIG. 2 is a right side elevation view thereof;
FIG. 3 is a left side elevation view thereof;
FIG. 4 is a front elevation view thereof;
FIG. 5 is a rear elevation view thereof;
FIG. 6 is a top plan view thereof;
FIG. 7 is a bottom plan view thereof;
FIG. 8 is a perspective view showing the top, front and right sides thereof;
FIG. 9 is a perspective view showing the top, rear and left sides thereof; and,
FIG. 10 is a perspective view showing the top, rear and right sides thereof.

1 Claim, 10 Drawing Sheets



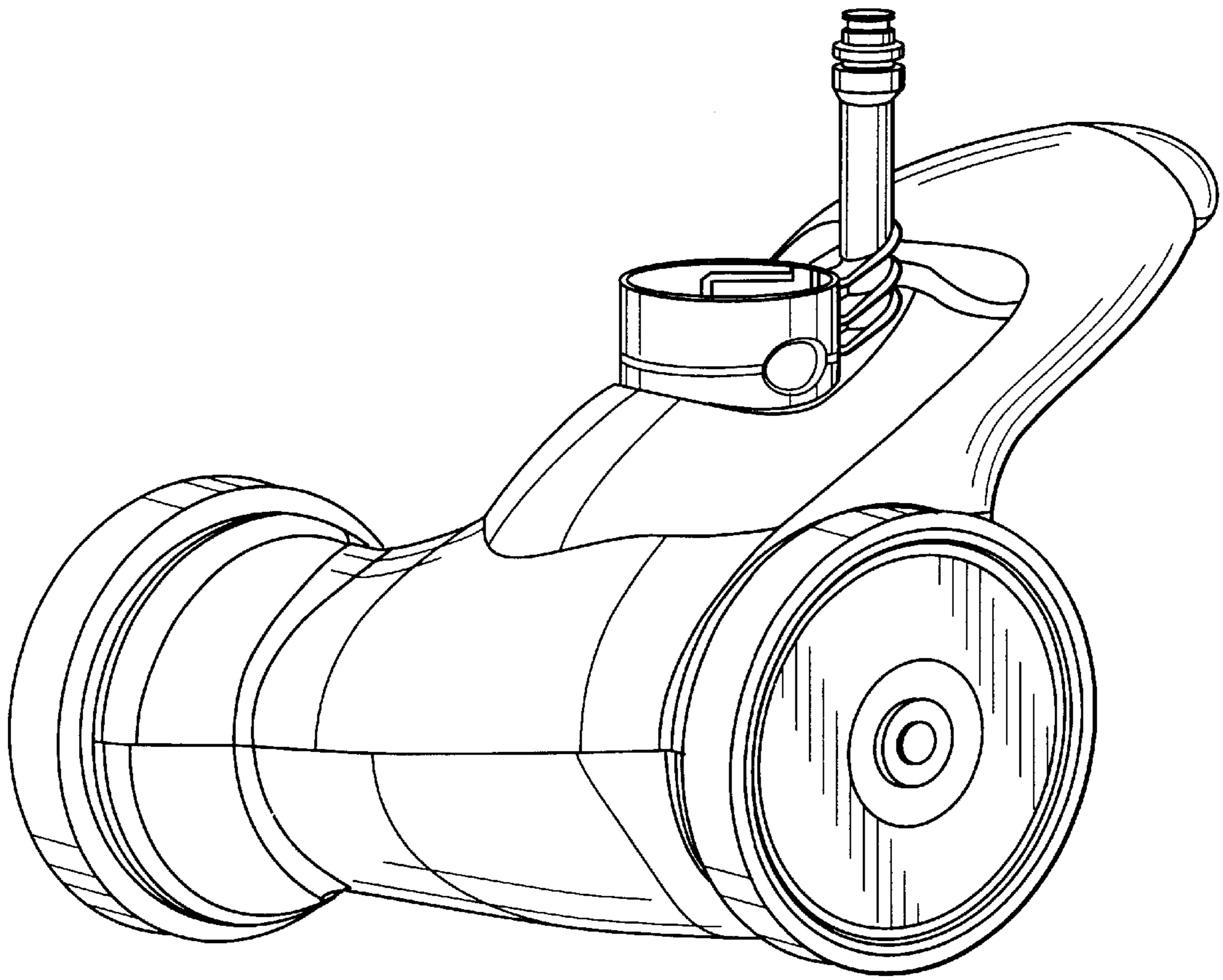


FIG. 1

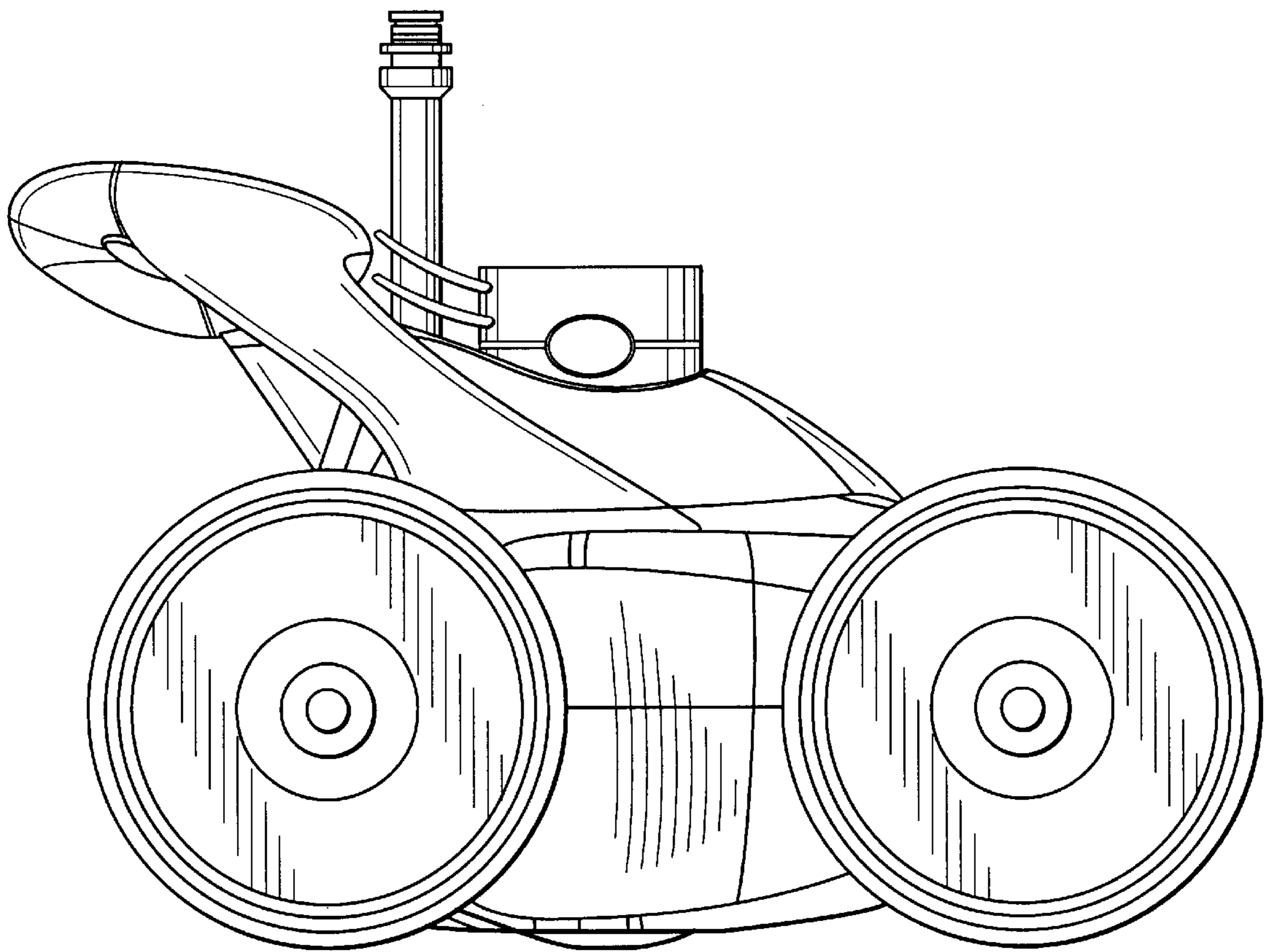


FIG. 2

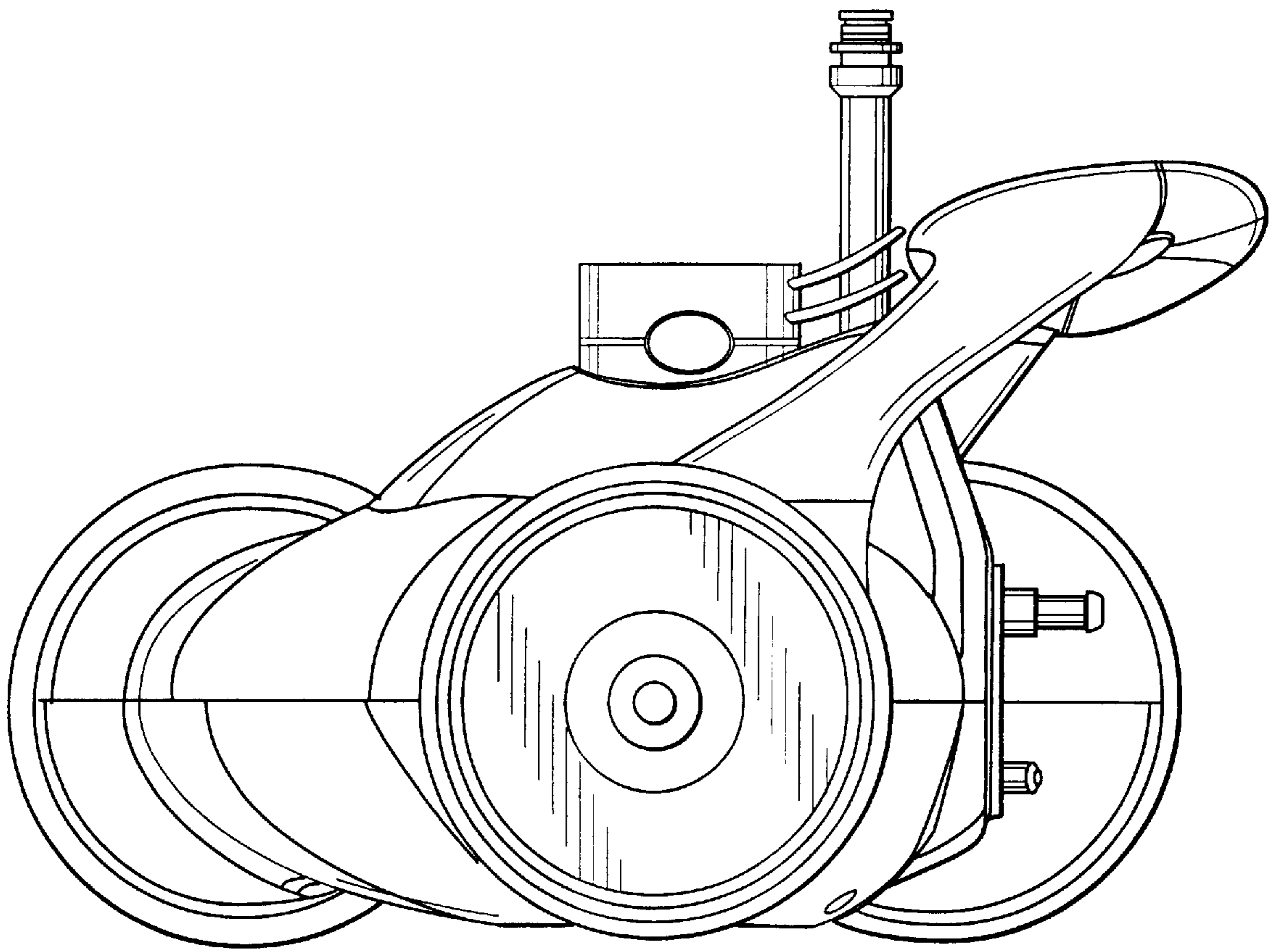


FIG. 3

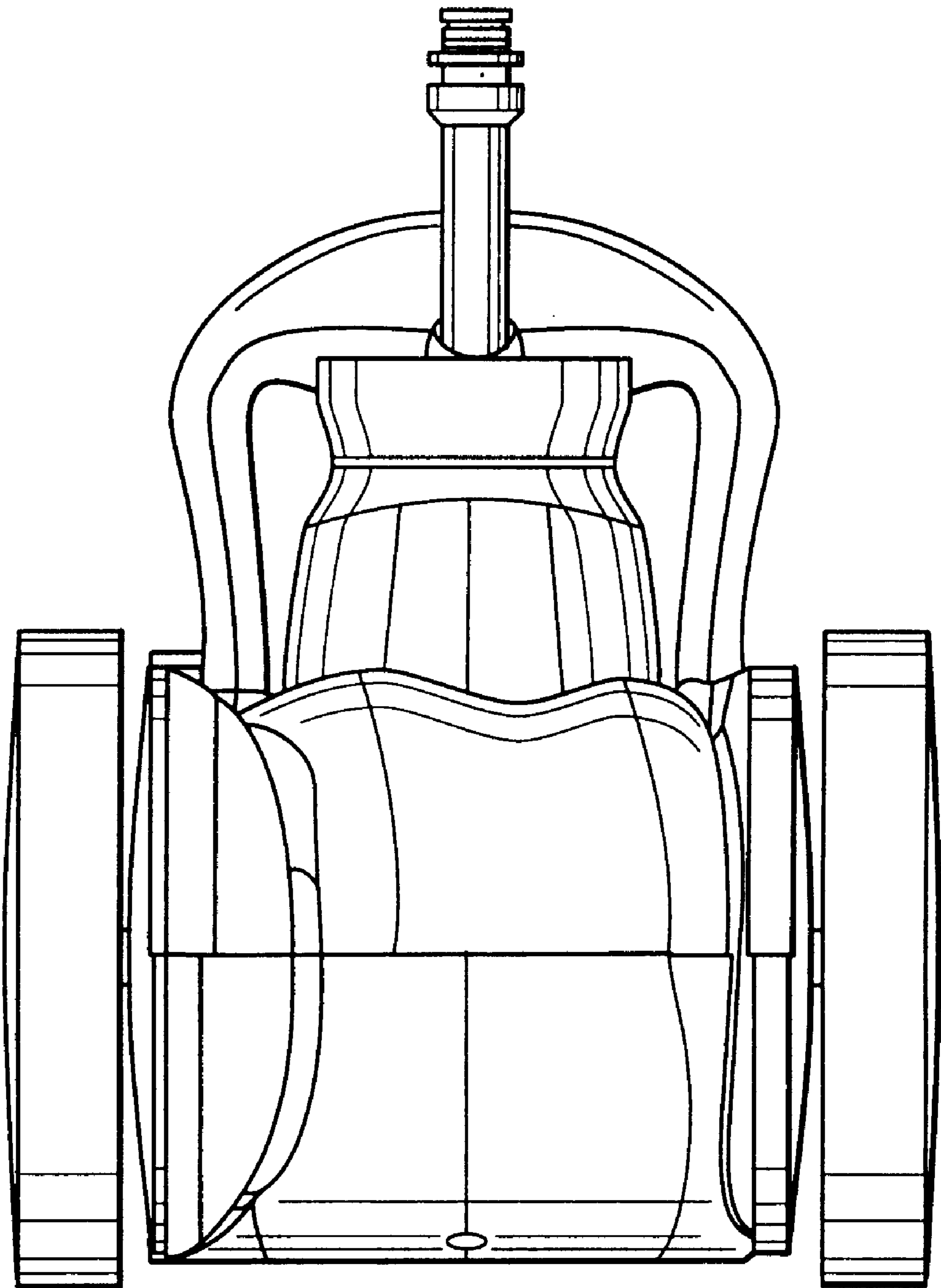


FIG. 4

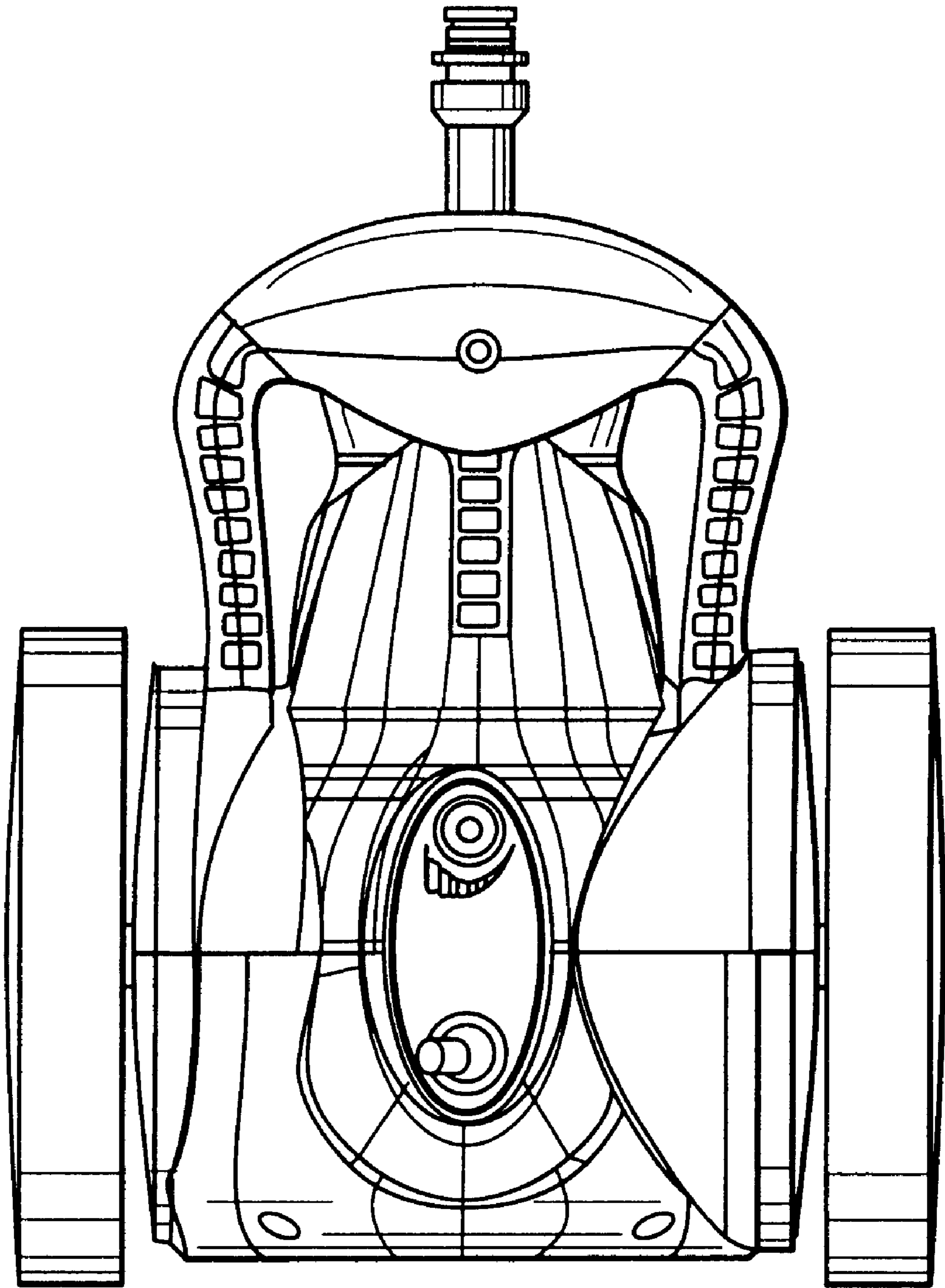


FIG. 5

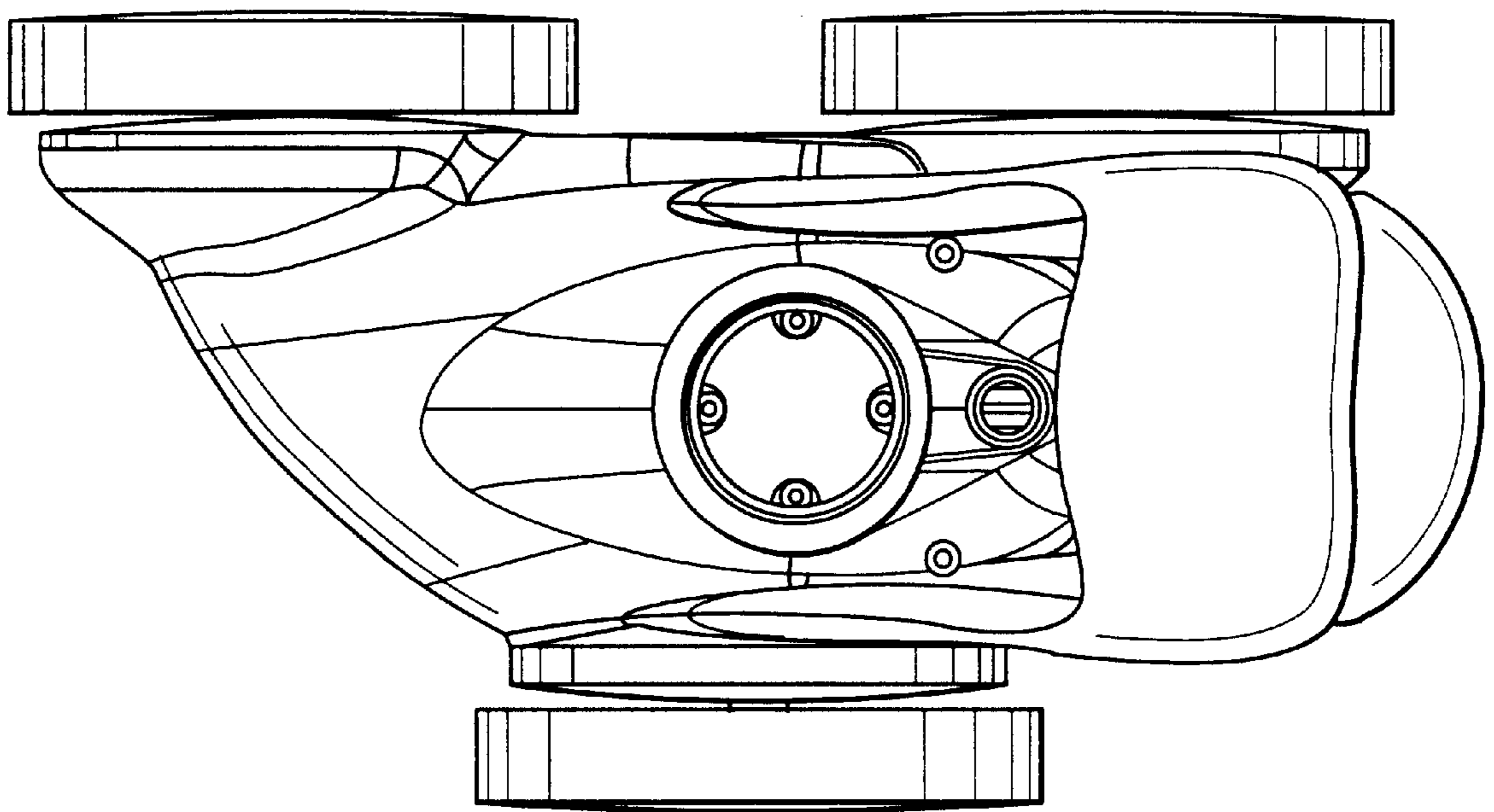


FIG. 6

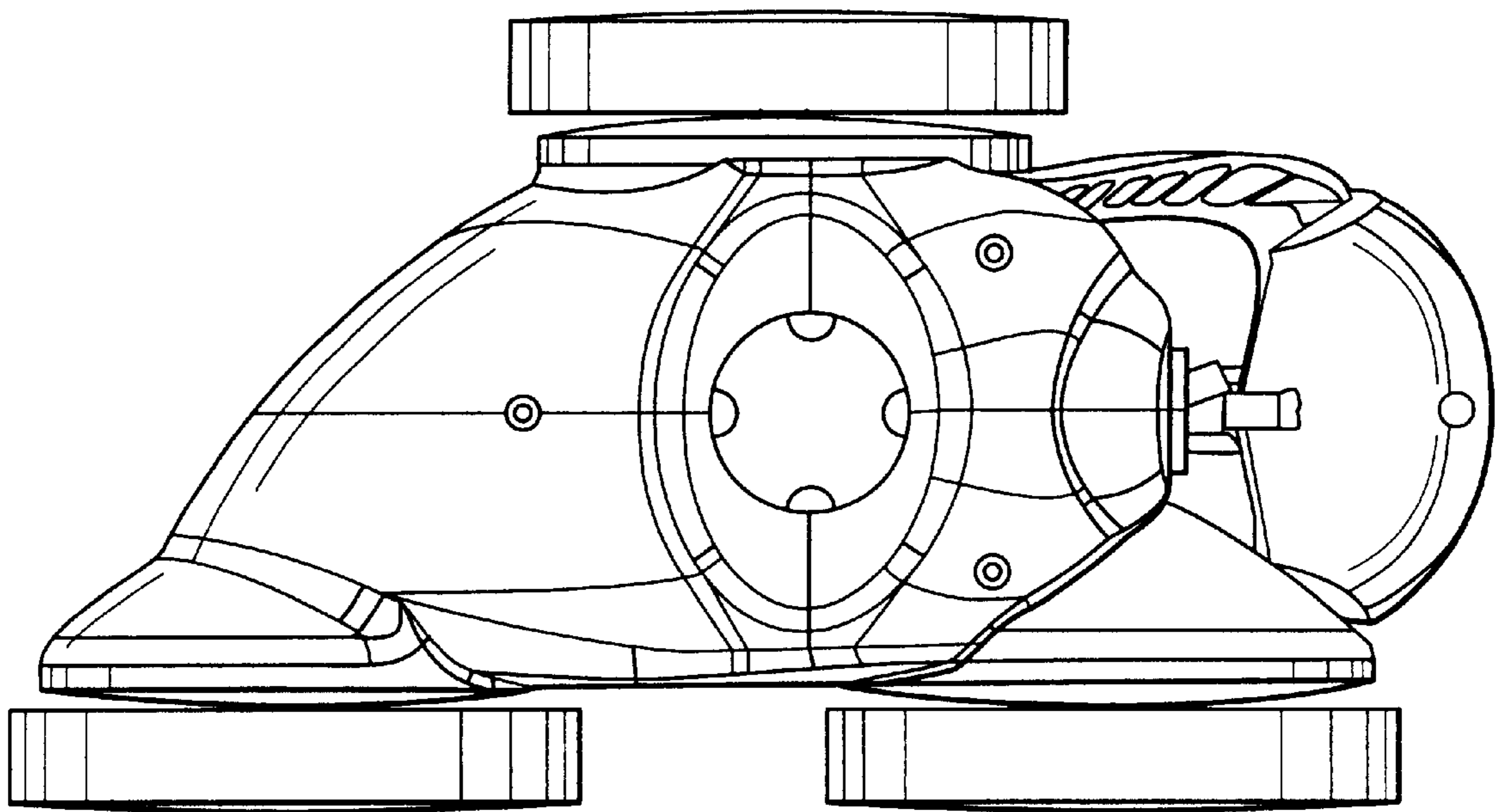


FIG. 7

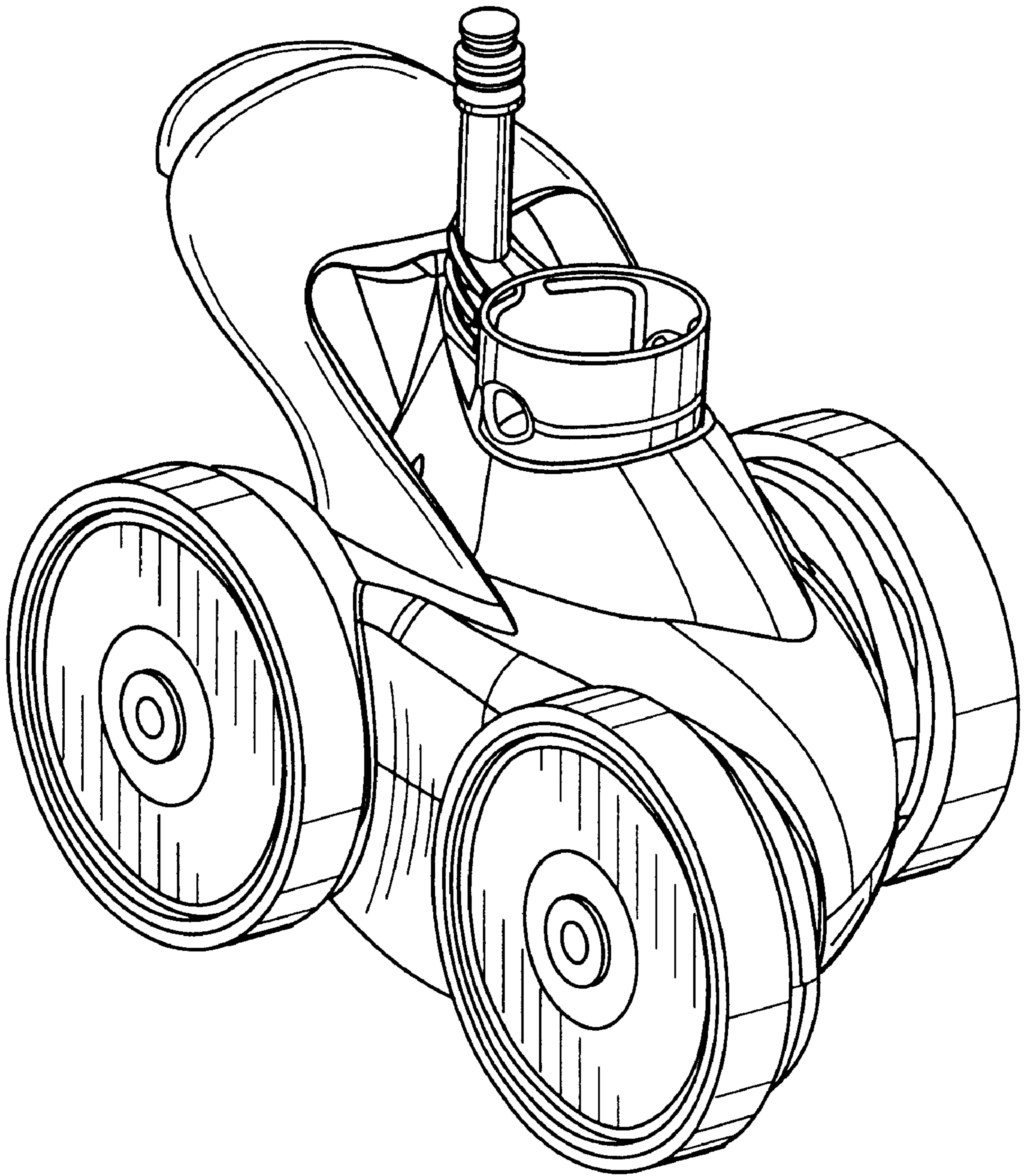


FIG. 8

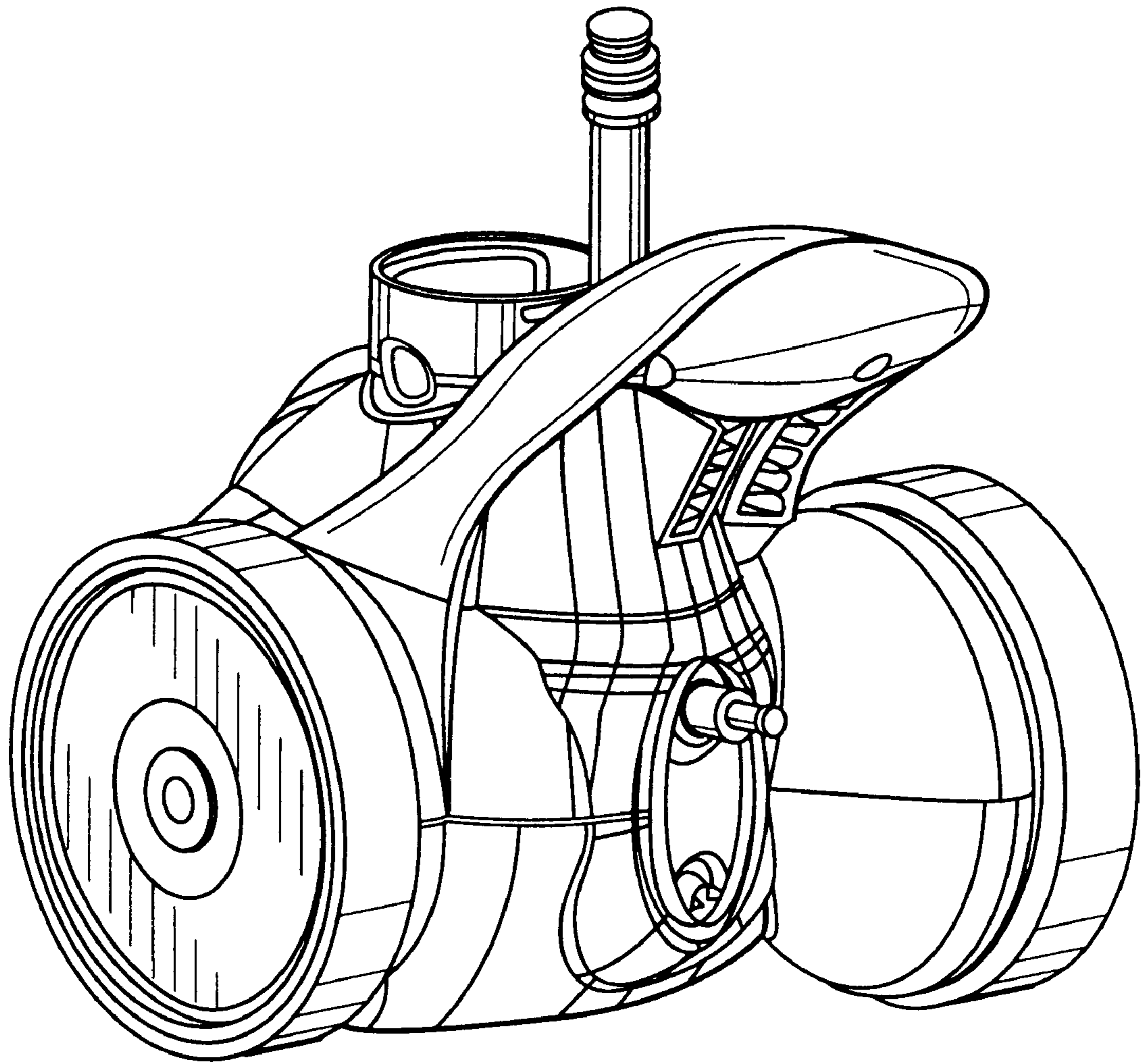


FIG. 9

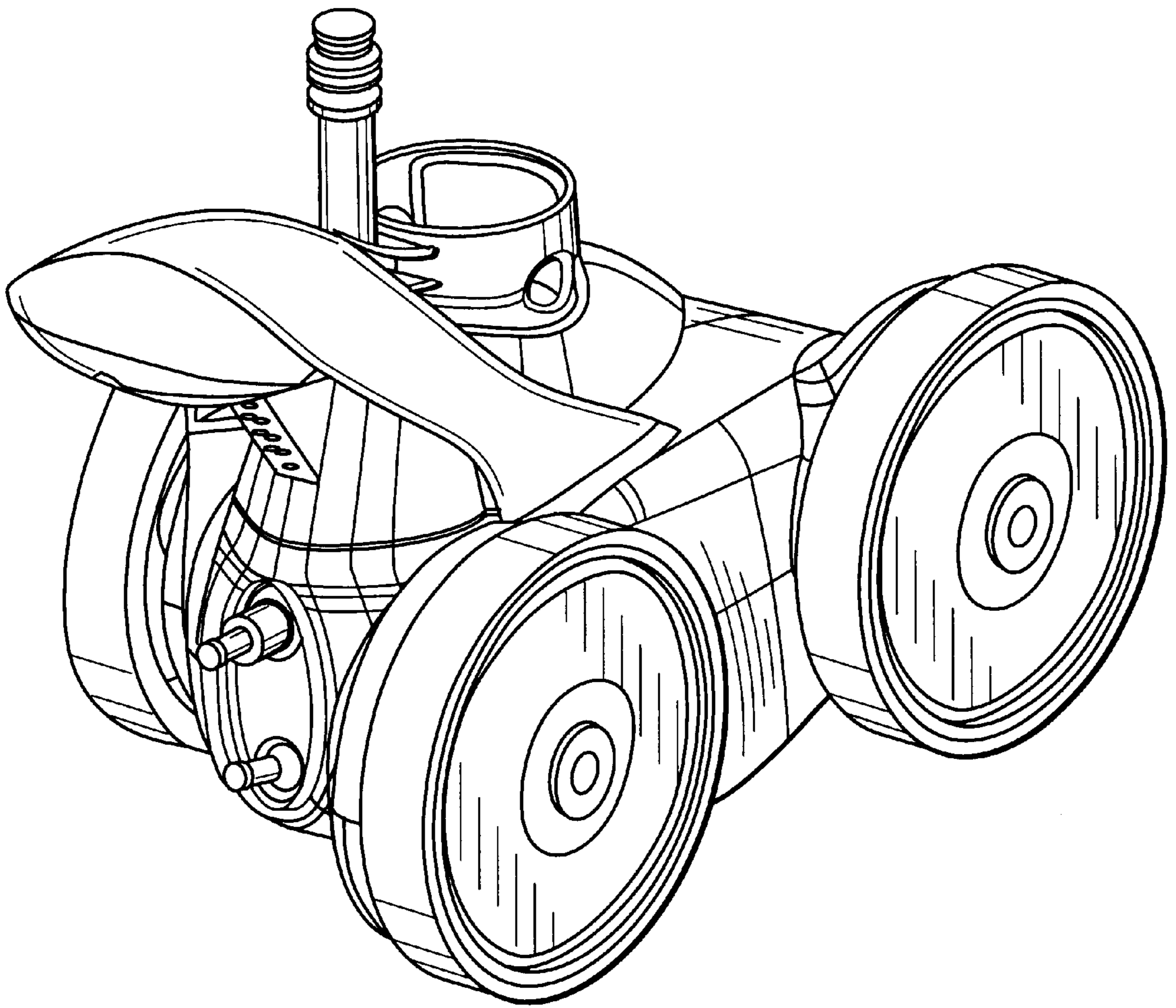


FIG. 10