



US00D469584S

(12) **United States Design Patent**  
**Shepherd**

(10) **Patent No.:** **US D469,584 S**

(45) **Date of Patent:** **\*\* Jan. 28, 2003**

(54) **CAT PLAY HOUSE**

(76) **Inventor:** **Colin Andrew Shepherd**, 33 Queens  
Grove, St. Johns Wood, London NW3  
6HJ (GB)

(\*\*) **Term:** **14 Years**

(21) **Appl. No.:** **29/127,588**

(22) **Filed:** **Aug. 9, 2000**

(30) **Foreign Application Priority Data**

Feb. 9, 2000 (GB) ..... 2090125

(51) **LOC (7) Cl.** ..... **30-02**

(52) **U.S. Cl.** ..... **D30/112**

(58) **Field of Search** ..... D30/108-112,  
D30/114-119, 158, 160, 161; 119/702,  
706-708, 622, 602, 621, 474, 452-453,  
455, 459, 462, 467, 416, 436, 482, 496,  
502

(56) **References Cited**

**U.S. PATENT DOCUMENTS**

- D117,452 S \* 11/1939 Mustarkes ..... D30/111
- 4,347,807 A \* 9/1982 Reich ..... 119/706
- D309,046 S \* 7/1990 Andersen ..... D30/112
- 5,050,536 A \* 9/1991 Baker ..... 119/702
- 5,078,094 A \* 1/1992 Hoover ..... 119/707
- 5,337,700 A \* 8/1994 Toft ..... D30/161
- D368,393 S \* 4/1996 Darneille ..... D30/161

- D371,641 S \* 7/1996 Crowley ..... D30/108
- 5,651,332 A \* 7/1997 Moore et al. .... 119/708
- D396,734 S \* 8/1998 Koneke ..... D30/108
- 5,964,189 A \* 10/1999 Northrop et al. .... 119/706
- 5,979,366 A \* 11/1999 Cook ..... 119/702
- 6,058,887 A \* 5/2000 Silverman ..... 119/707
- D435,703 S \* 12/2000 Coudare et al. .... D30/114

\* cited by examiner

*Primary Examiner*—Cathy Anne MacCormac

(74) *Attorney, Agent, or Firm*—Flynn, Thiel, Boutell &  
Tanis, P.C.

(57) **CLAIM**

The ornamental design for a cat play house, as shown and described.

**DESCRIPTION**

FIG. 1 is a front perspective view of a playhouse embodying my design, and being shown with the doors in an open position;

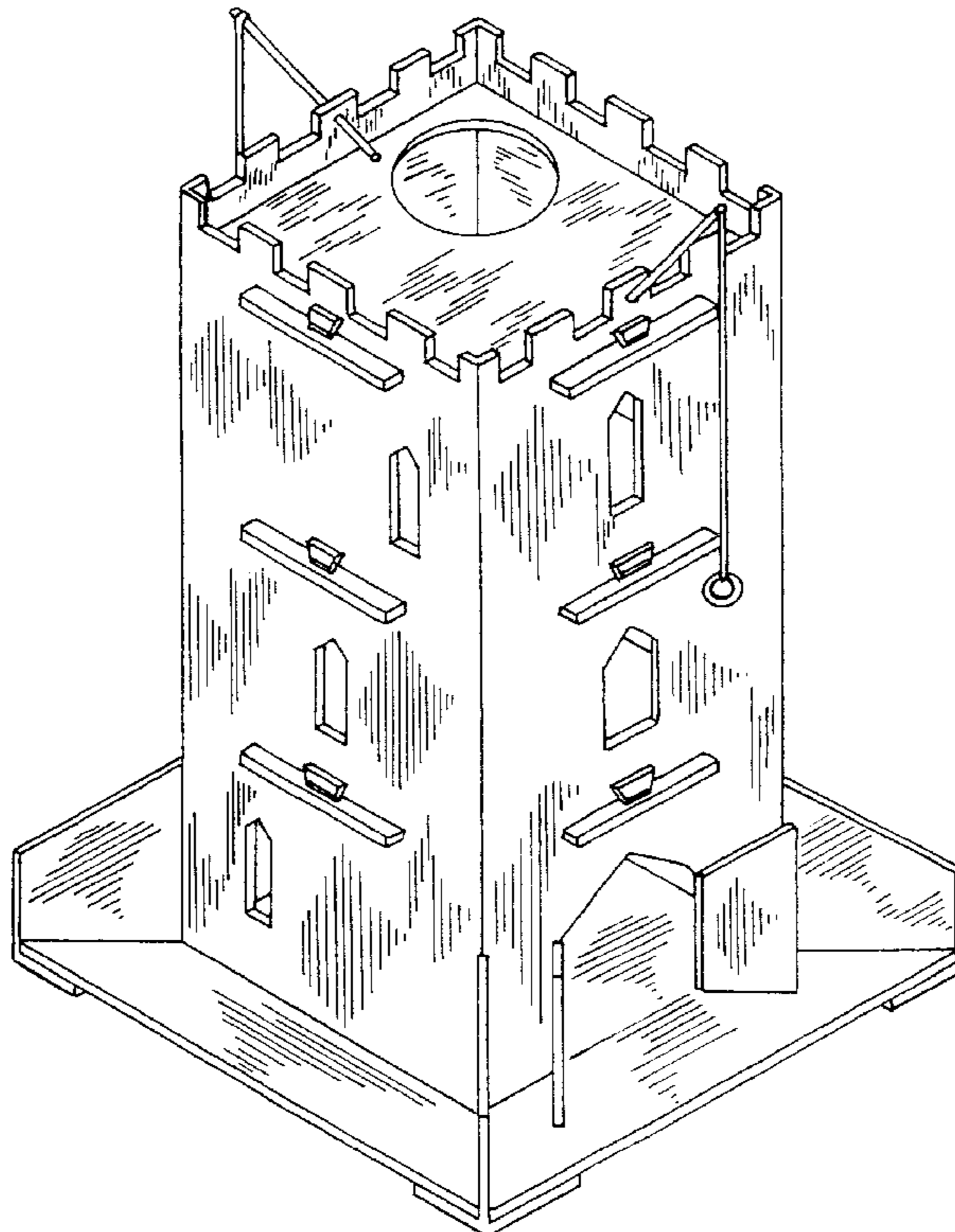
FIG. 2 is a front elevational view thereof with the doors shown in a closed position, the back elevational view being identical thereto;

FIG. 3 is a right side elevational view thereof, the left side elevational view being identical thereto; and,

FIG. 4 is a top plan view thereof.

The broken lines are for illustrative purposes and form no part of the claimed design.

**1 Claim, 2 Drawing Sheets**



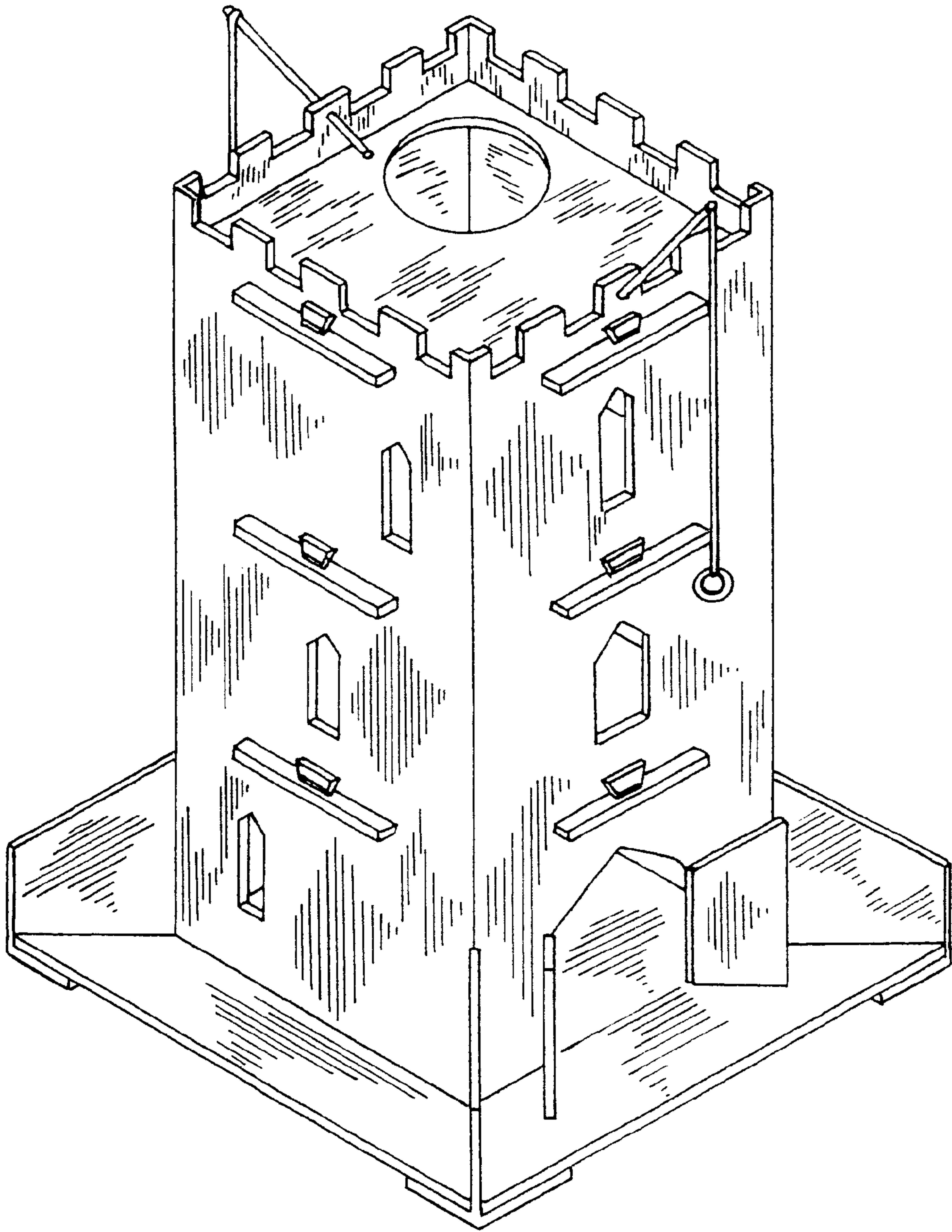


FIG. 1

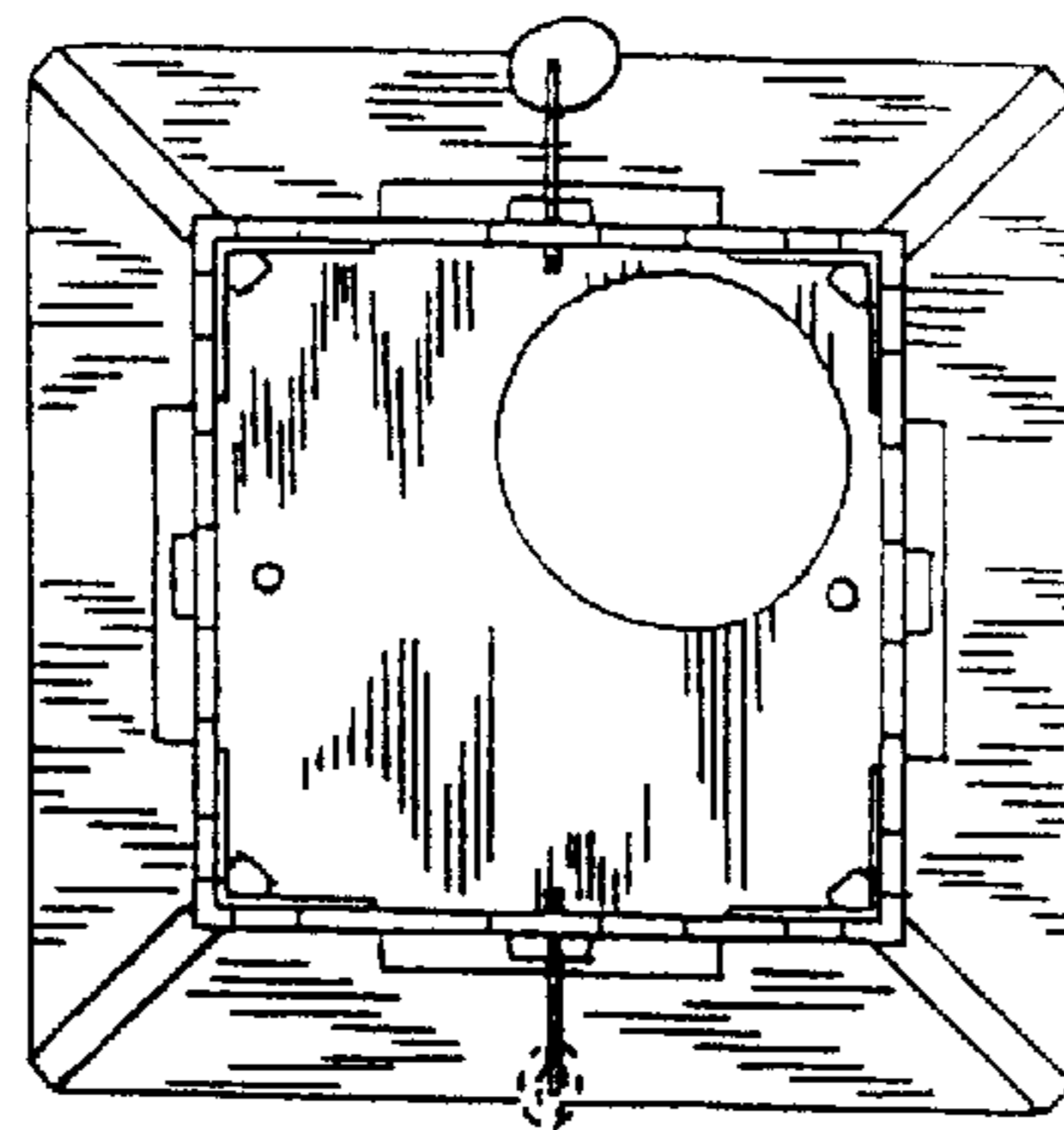


FIG. 4

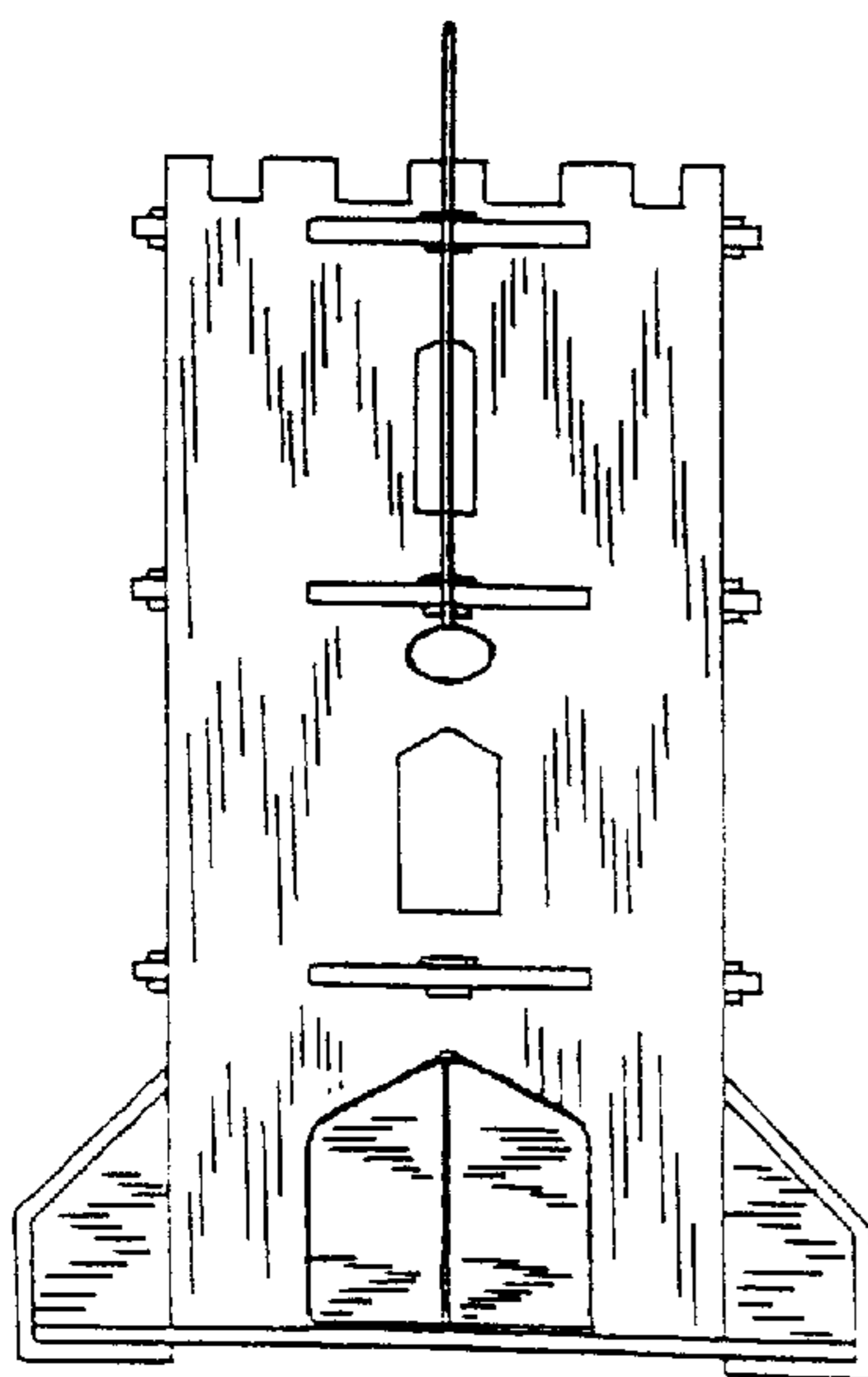


FIG. 2

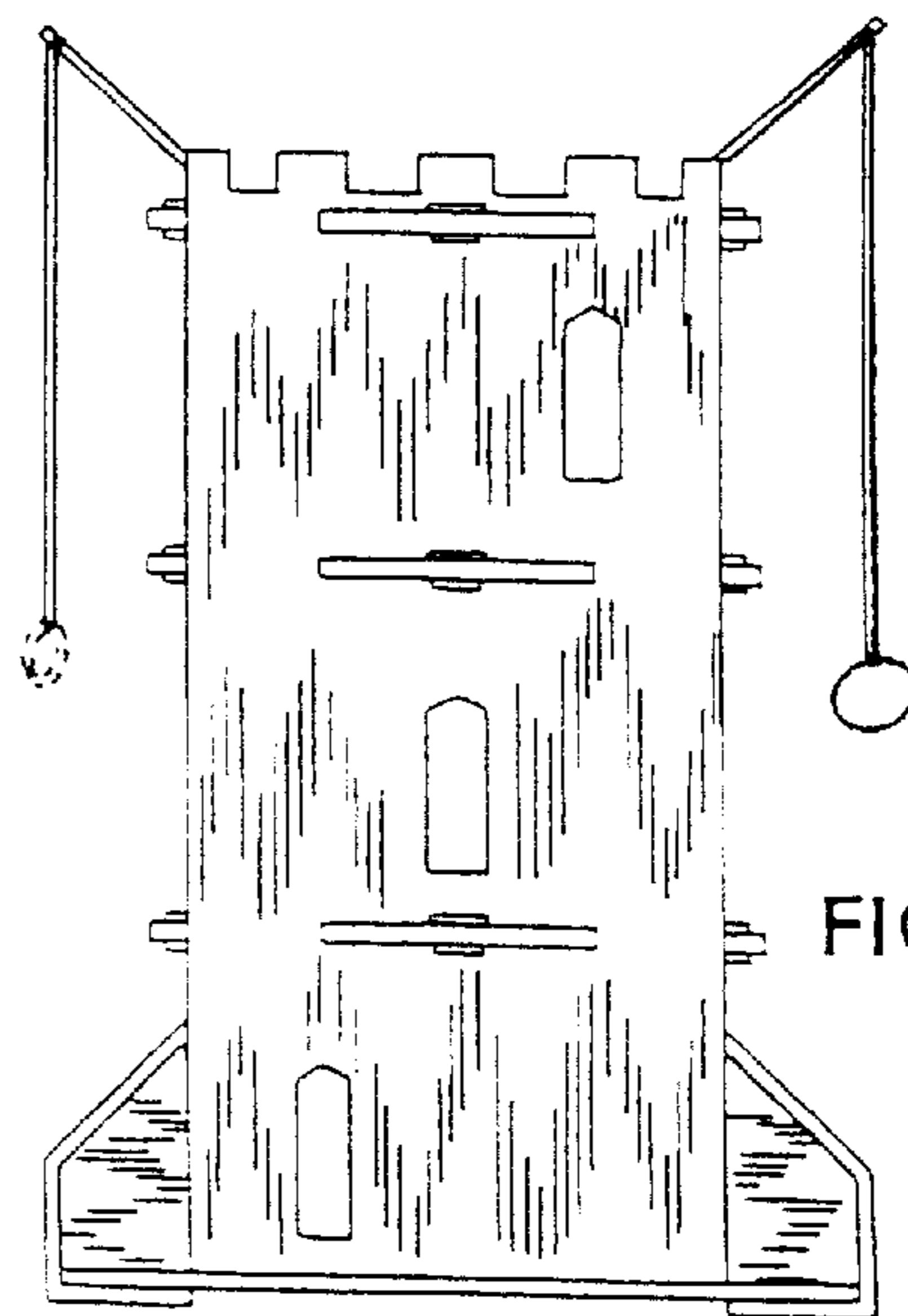


FIG. 3