



US00D469582S

(12) **United States Design Patent**
Kaelin et al.

(10) **Patent No.:** **US D469,582 S**

(45) **Date of Patent:** **** Jan. 28, 2003**

(54) **AQUARIUM COVER**

(76) Inventors: **John F. Kaelin**, 1113 Pawnee Trail,
Georgetown, KY (US) 40324; **Terry D. Gibson**, 109 Burgess Ct., Georgetown,
KY (US) 40324

(**) Term: **14 Years**

(21) Appl. No.: **29/143,942**

(22) Filed: **Jun. 25, 2001**

(51) **LOC (7) Cl.** **30-02**

(52) **U.S. Cl.** **D30/107**

(58) **Field of Search** D30/101-107,
D30/124, 125, 110-111; D21/483; 119/245-253,
255-258, 265, 266, 269; 40/406, 408; 47/69,
59; D11/145

(56) **References Cited**

U.S. PATENT DOCUMENTS

692,832 A *	2/1902	Creasey	119/246
910,905 A *	1/1909	Clements	119/248
1,263,391 A *	4/1918	Eickemeyer	D30/101
2,751,880 A *	6/1956	Markowski	119/246
D186,756 S *	11/1959	Arnould	D30/107
3,018,758 A	1/1962	Arnould	
3,077,697 A *	2/1963	Fry	119/253
3,693,591 A *	9/1972	Stasio	119/245
D239,181 S *	3/1976	Greenwald	D30/107

4,019,460 A	4/1977	Muller	
5,127,366 A *	7/1992	Kim	119/246
5,722,347 A *	3/1998	Tominaga et al.	119/253

OTHER PUBLICATIONS

Metaframe catalog No. 70; 1970; p. 10; Plastic No-Jump covers, #184.*

* cited by examiner

Primary Examiner—Cathy Anne MacCormac

(74) *Attorney, Agent, or Firm*—Richard C. Litman

(57) **CLAIM**

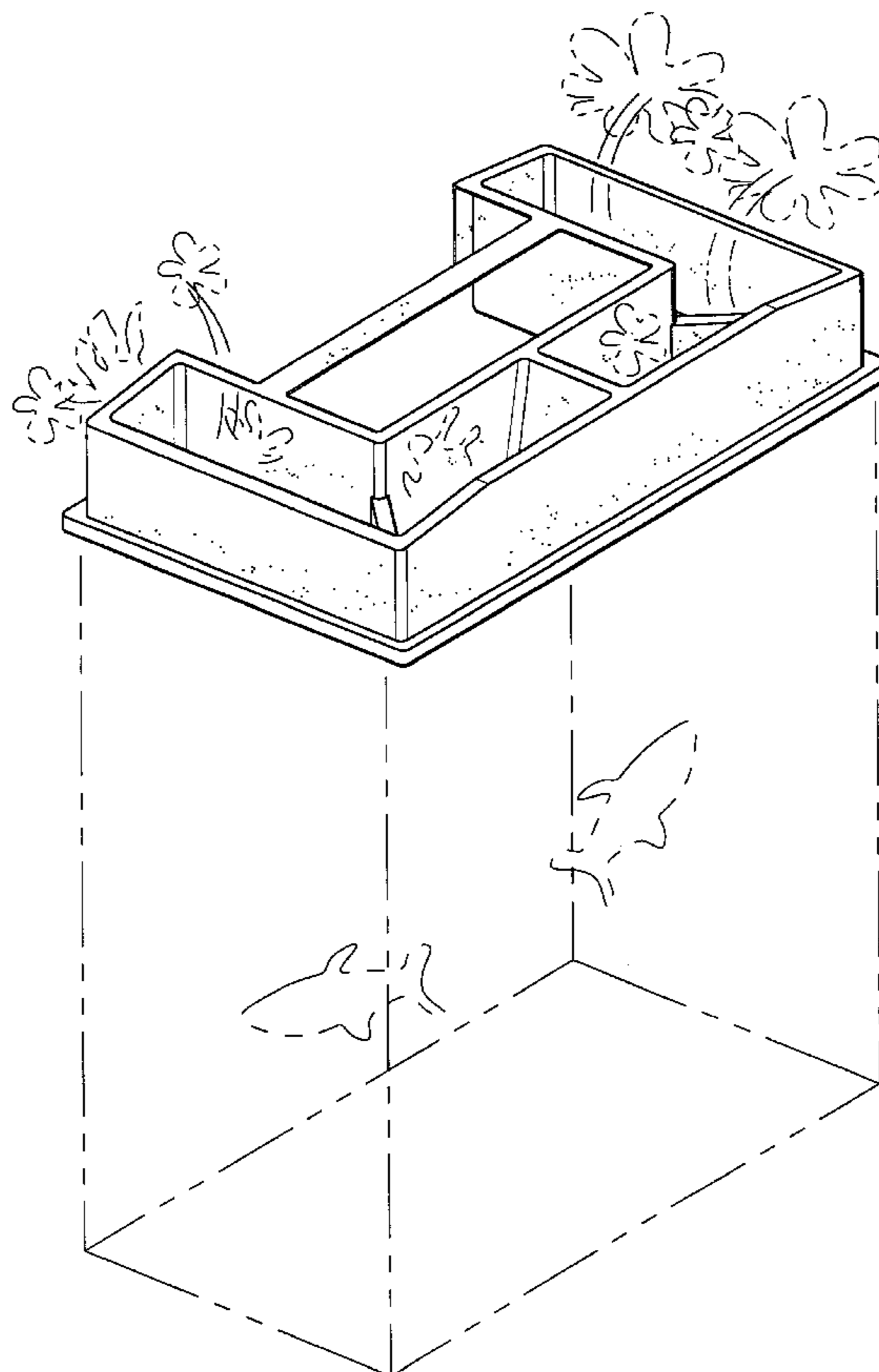
The ornamental design for an aquarium cover, as shown and described.

DESCRIPTION

FIG. 1 is a an environmental perspective view of an aquarium cover showing our new design; FIG. 2 is a front elevational view thereof; FIG. 3 is a rear elevational view thereof; FIG. 4 is a right side elevational view with the left side being a mirror image thereof; FIG. 5 is a top view thereof; and, FIG. 6 is a bottom view thereof.

The broken line showing of the aquarium, fish, and plants in FIG. 1 is for illustrative purposes only and forms no part of the claimed design.

1 Claim, 6 Drawing Sheets



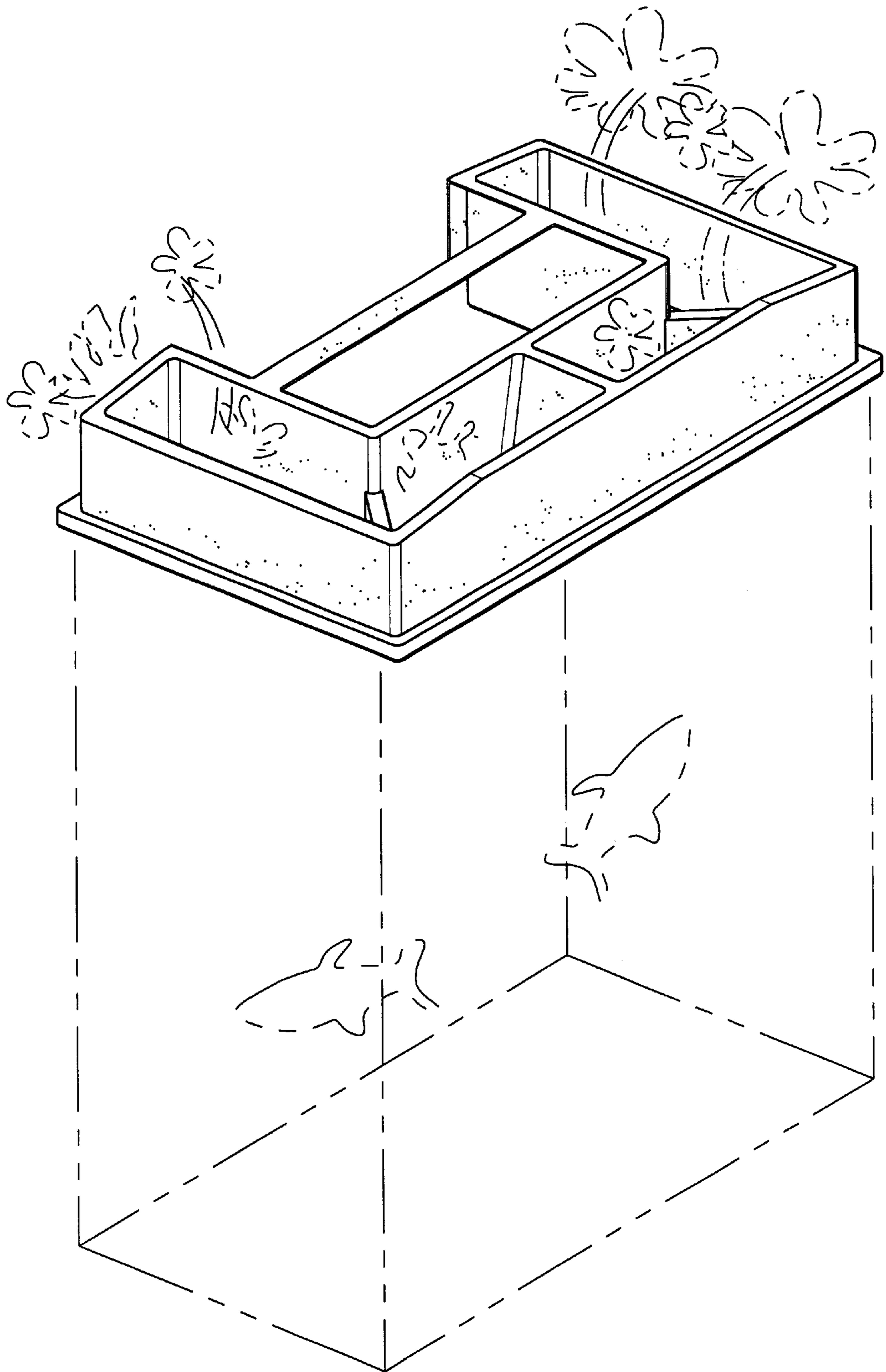


Fig. 1

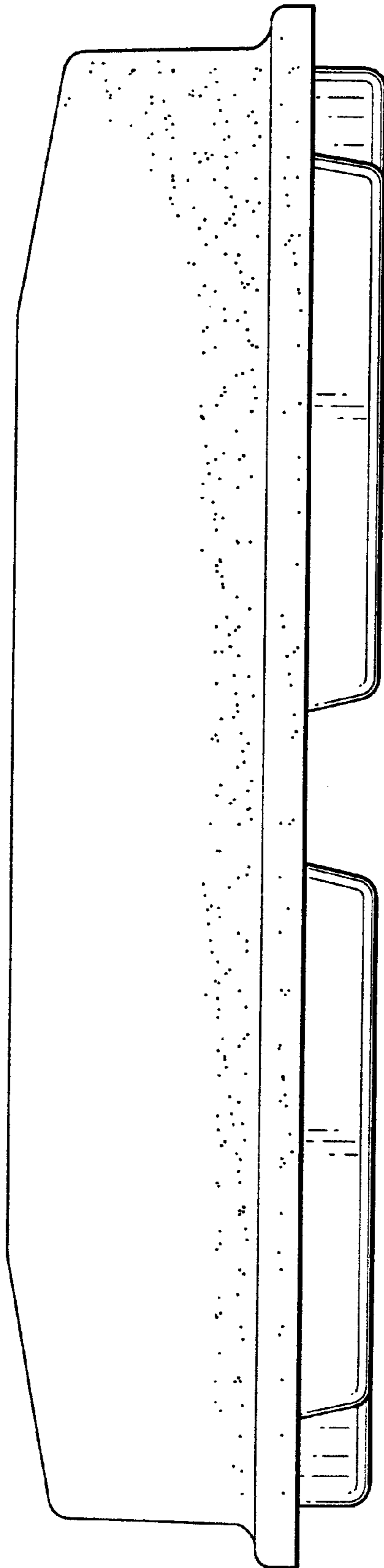


Fig. 2

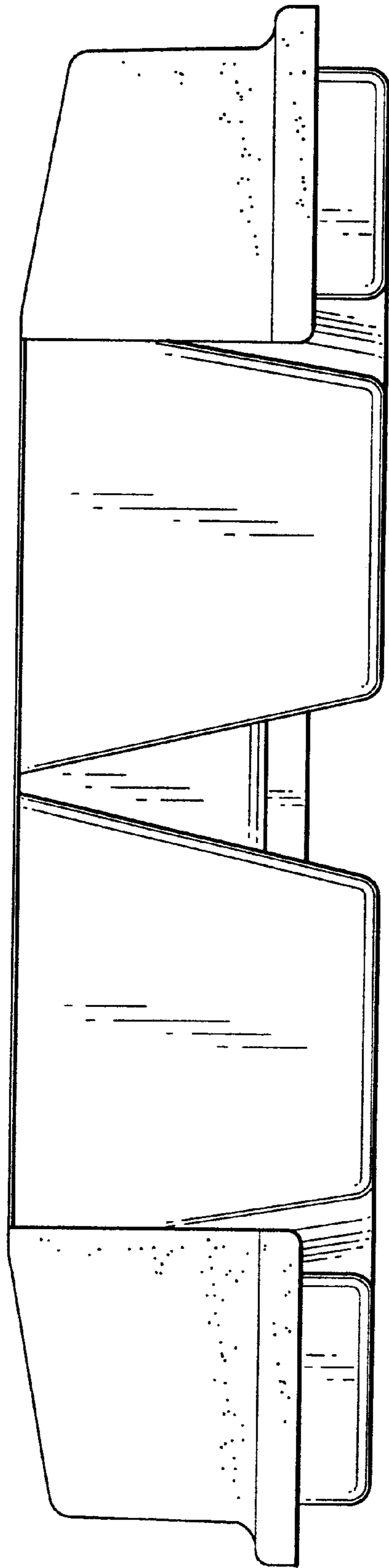


Fig. 3

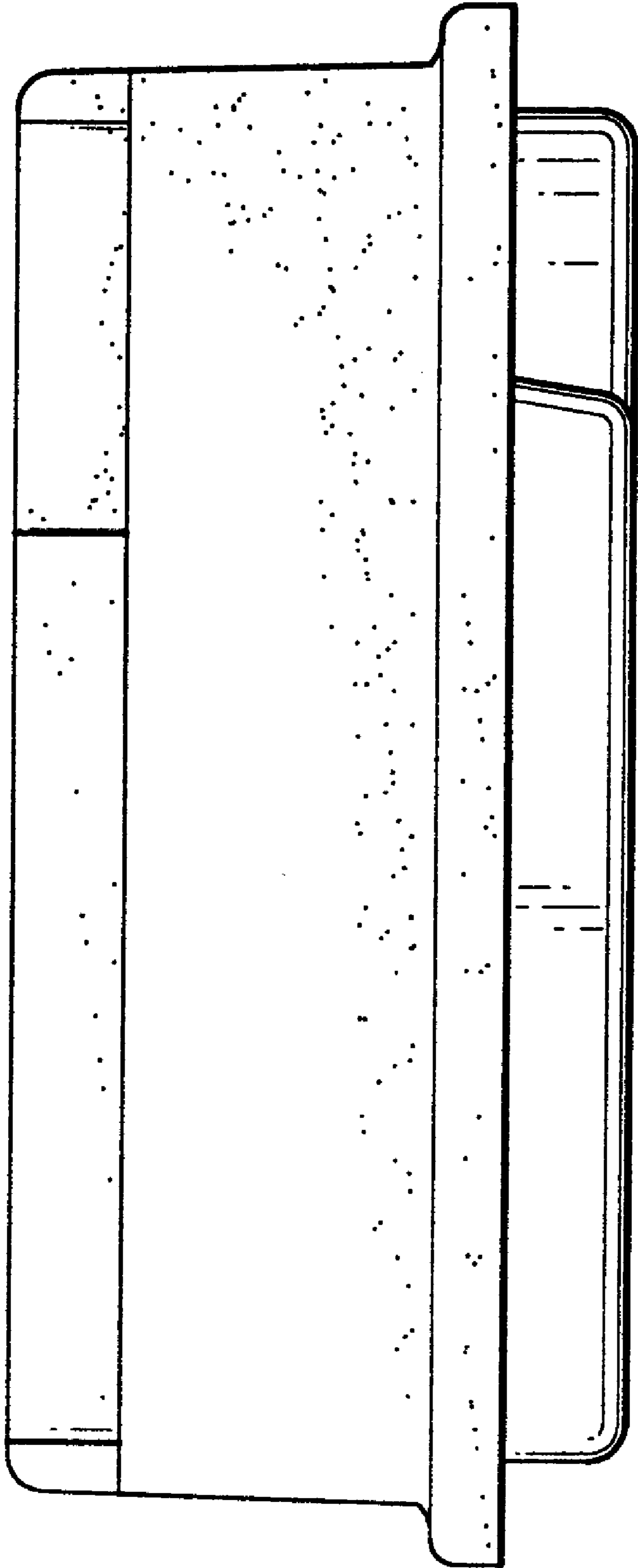


Fig. 4

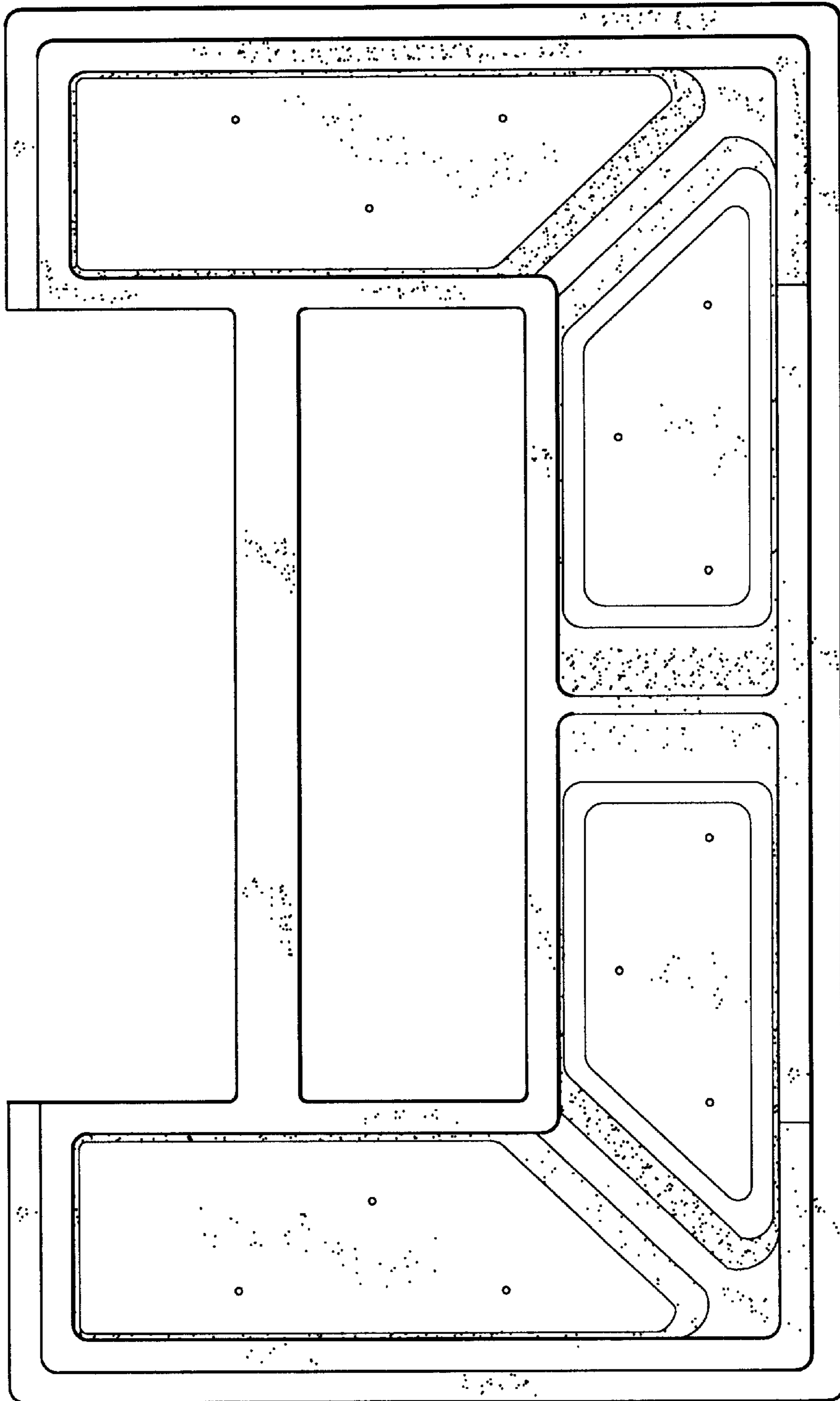


Fig. 5

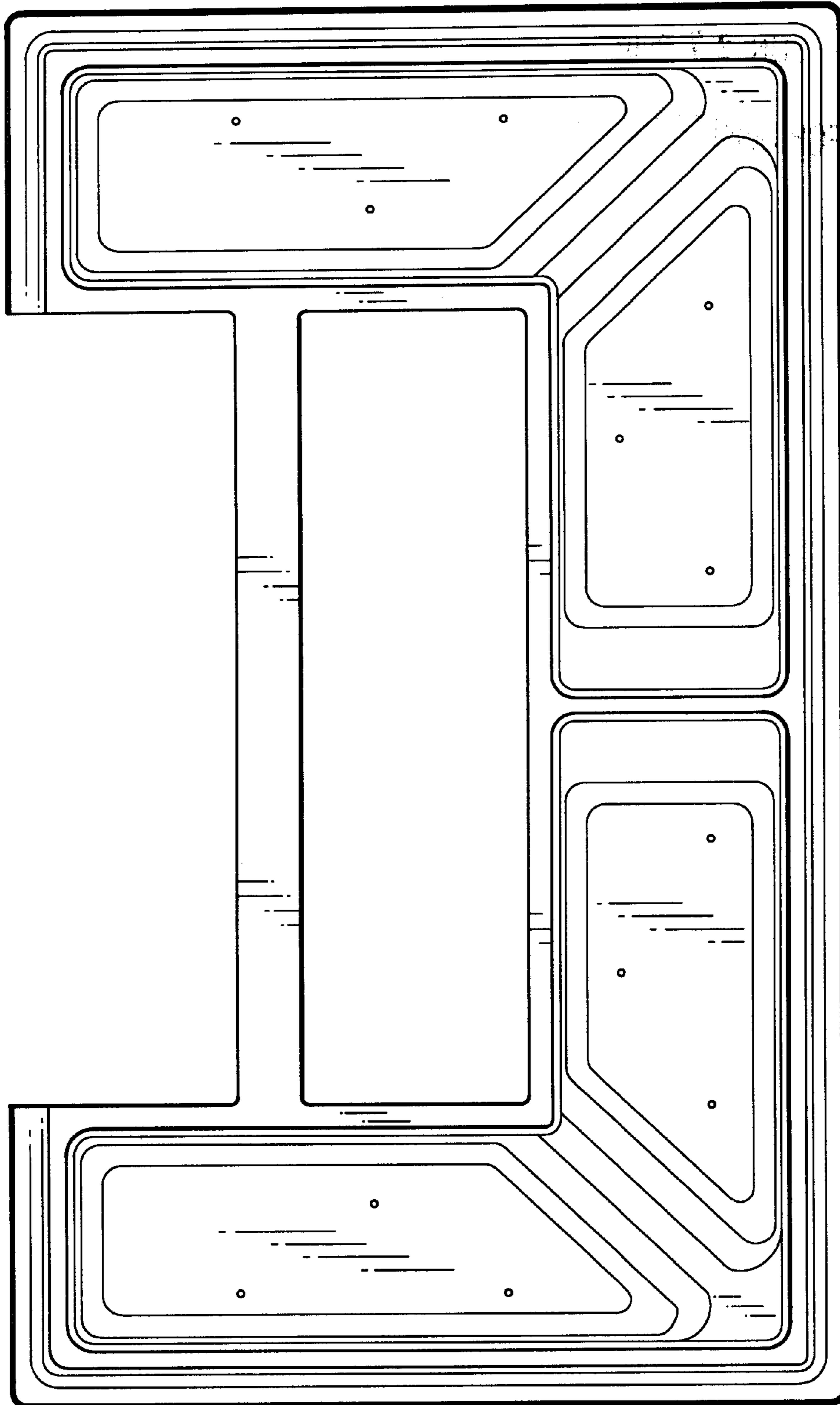


Fig. 6