



US00D469579S

(12) **United States Design Patent**  
**Thorpe et al.**

(10) **Patent No.:** **US D469,579 S**

(45) **Date of Patent:** **\*\* Jan. 28, 2003**

(54) **LIPSTICK CONTAINER**

(75) Inventors: **Timothy Thorpe**, Chislehurst (GB);  
**Rebecca Louise Goswell**, Richmond (GB)

(73) Assignee: **HCT Limited**, Hong Kong (CN)

(\*\*) Term: **14 Years**

(21) Appl. No.: **29/166,148**

(22) Filed: **Aug. 22, 2002**

(51) **LOC (7) Cl.** ..... **28-02**

(52) **U.S. Cl.** ..... **D28/85; D28/76; D28/83**

(58) **Field of Search** ..... D28/76, 77, 78-91;  
D9/341, 420, 423, 418; 132/286-318; 206/385,  
581, 823, 235; 401/88, 192

(56) **References Cited**

**U.S. PATENT DOCUMENTS**

D228,419 S	*	9/1973	Bettonica	.....	D28/78
D229,119 S	*	11/1973	Litton	.....	D28/76
D243,124 S		1/1977	Horowitz	.....	D86/10
D278,750 S	*	5/1985	Pisani et al.	.....	D28/4
4,815,608 A	*	3/1989	Silberberg	.....	132/295
D307,196 S		4/1990	McClure	.....	D28/79
D309,043 S	*	7/1990	Bakic	.....	D28/78
D347,297 S		5/1994	Vesco	.....	D28/77

**FOREIGN PATENT DOCUMENTS**

XH DM/056 378 \* 3/2001 ..... 28/2

\* cited by examiner

*Primary Examiner*—Ted Shooman

*Assistant Examiner*—C. Tuttle

(74) *Attorney, Agent, or Firm*—Norris, McLaughlin & Marcus

(57) **CLAIM**

The ornamental design for a lipstick container, as shown and described.

**DESCRIPTION**

FIG. 1 is a top perspective view showing our new design with its cover in a closed position;

FIG. 2 is a front elevational view showing the cover in its closed position;

FIG. 3 is a right side elevational view showing the cover in its closed position;

FIG. 4 is a back elevational view showing the cover in its closed position;

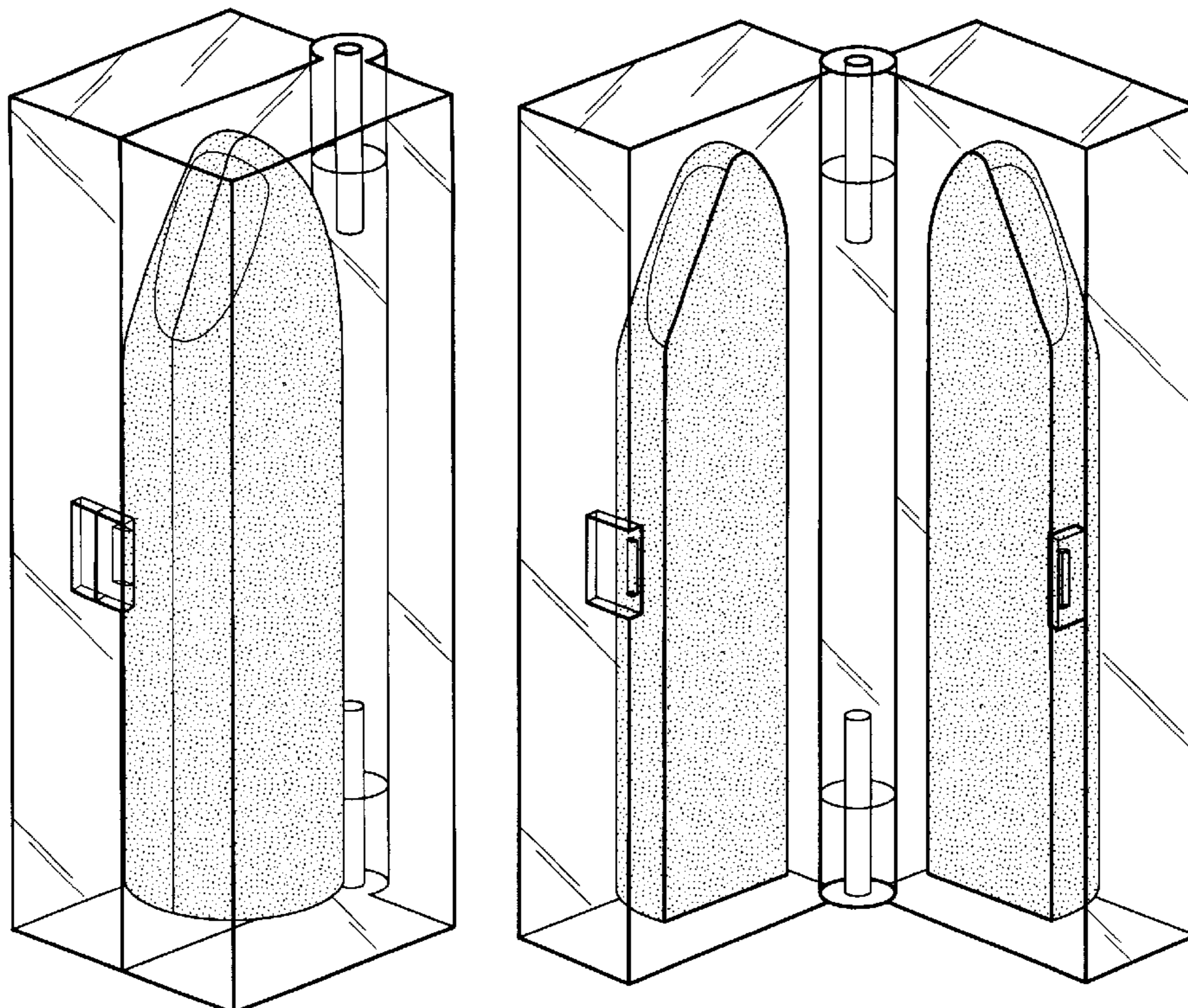
FIG. 5 is a left side elevational view showing the cover in its closed position;

FIG. 6 is a top plan view showing the cover in its closed position;

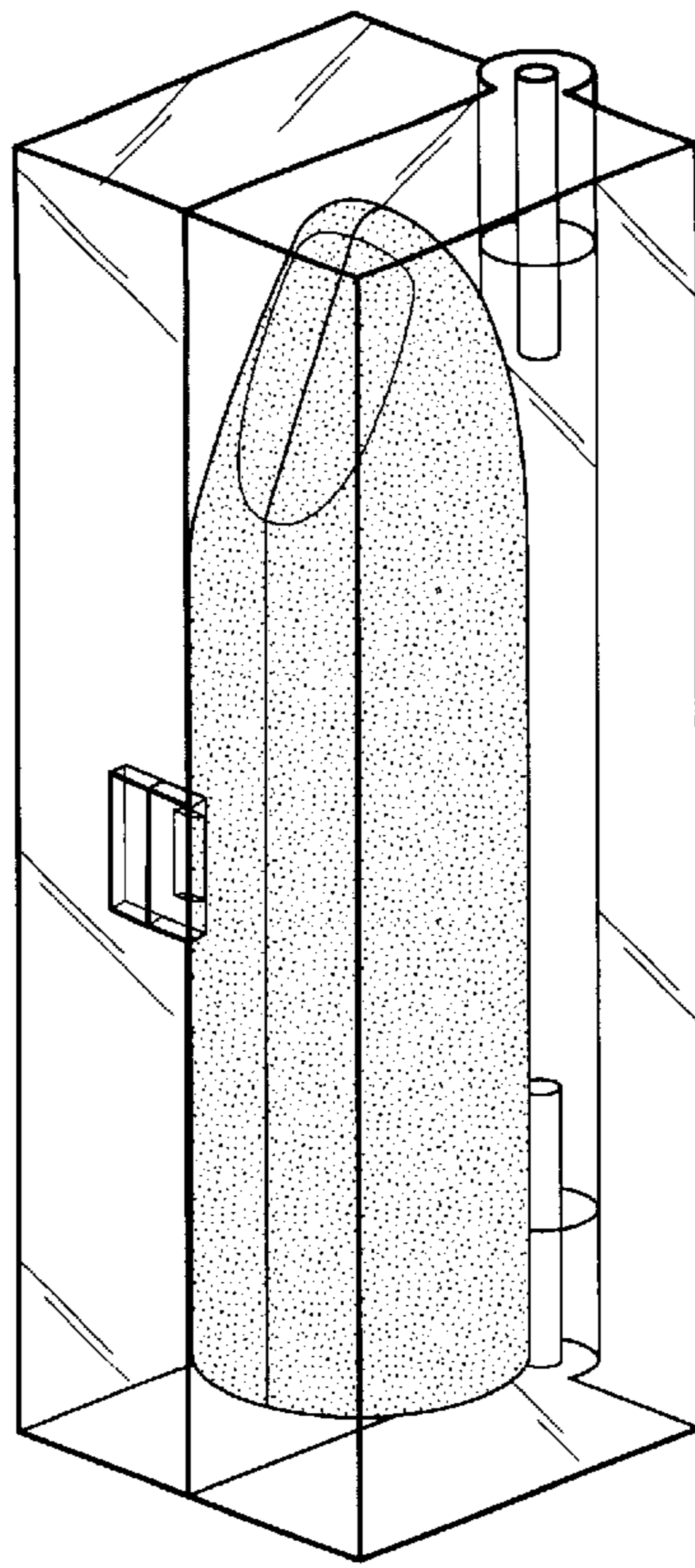
FIG. 7 is a bottom plan view showing the cover in its closed position; and,

FIG. 8 is a top perspective view showing the cover in its open position.

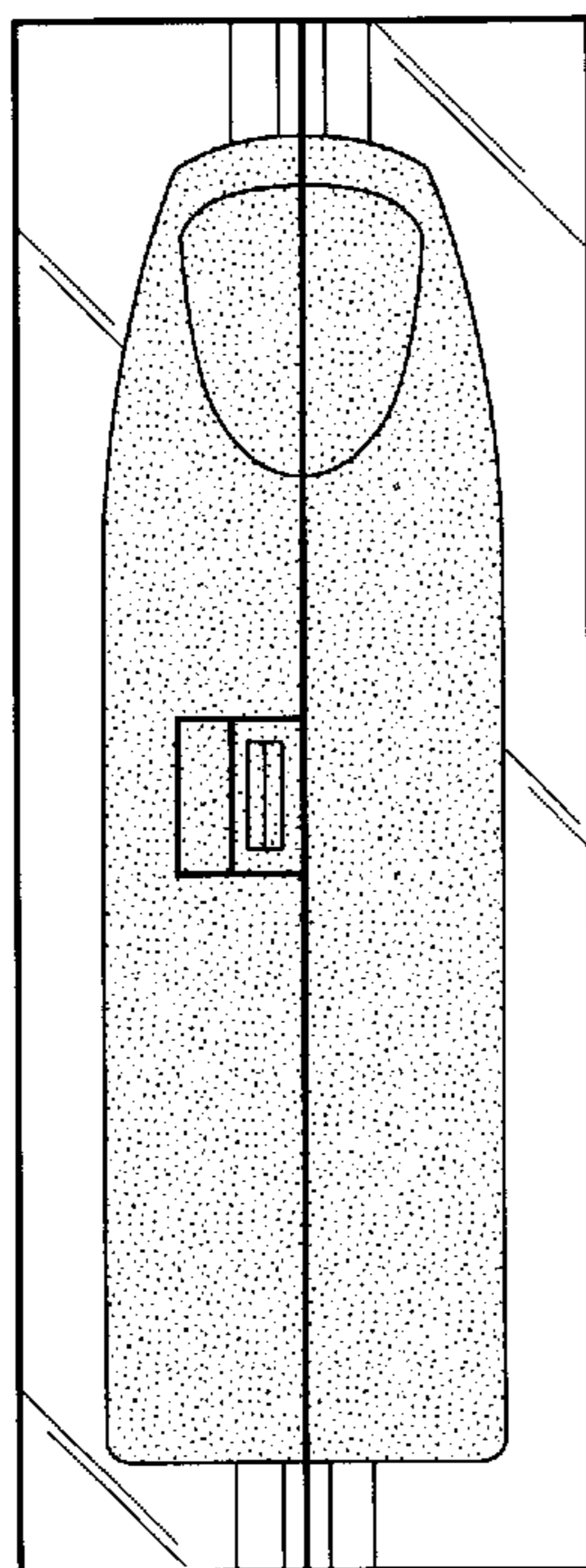
**1 Claim, 3 Drawing Sheets**



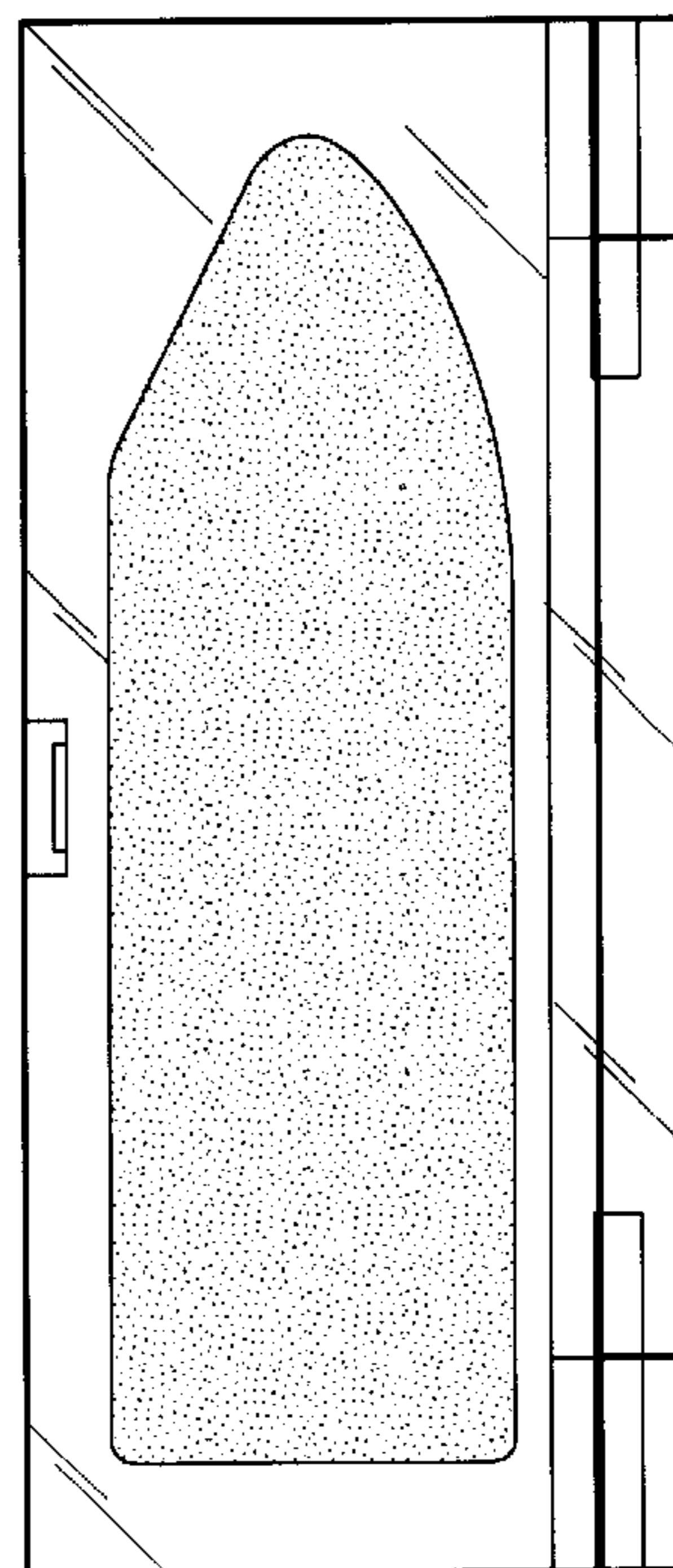
**FIG. 1**



**FIG. 2**

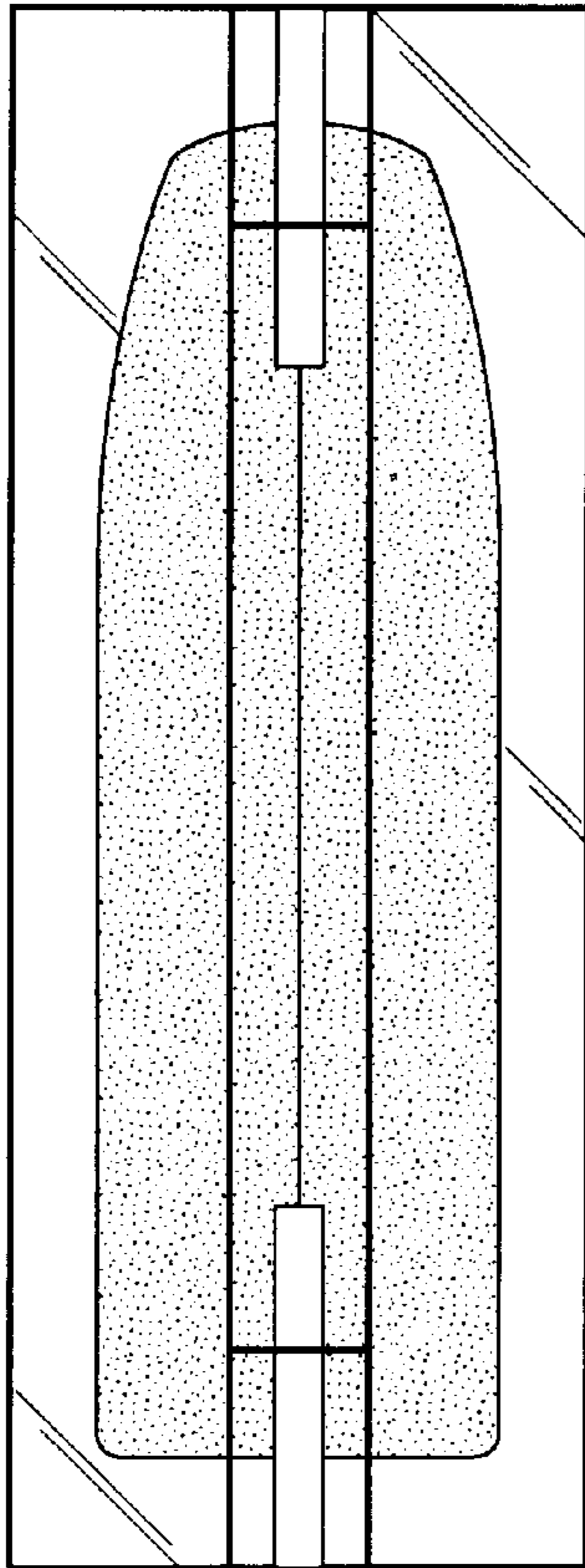


**FIG. 3**

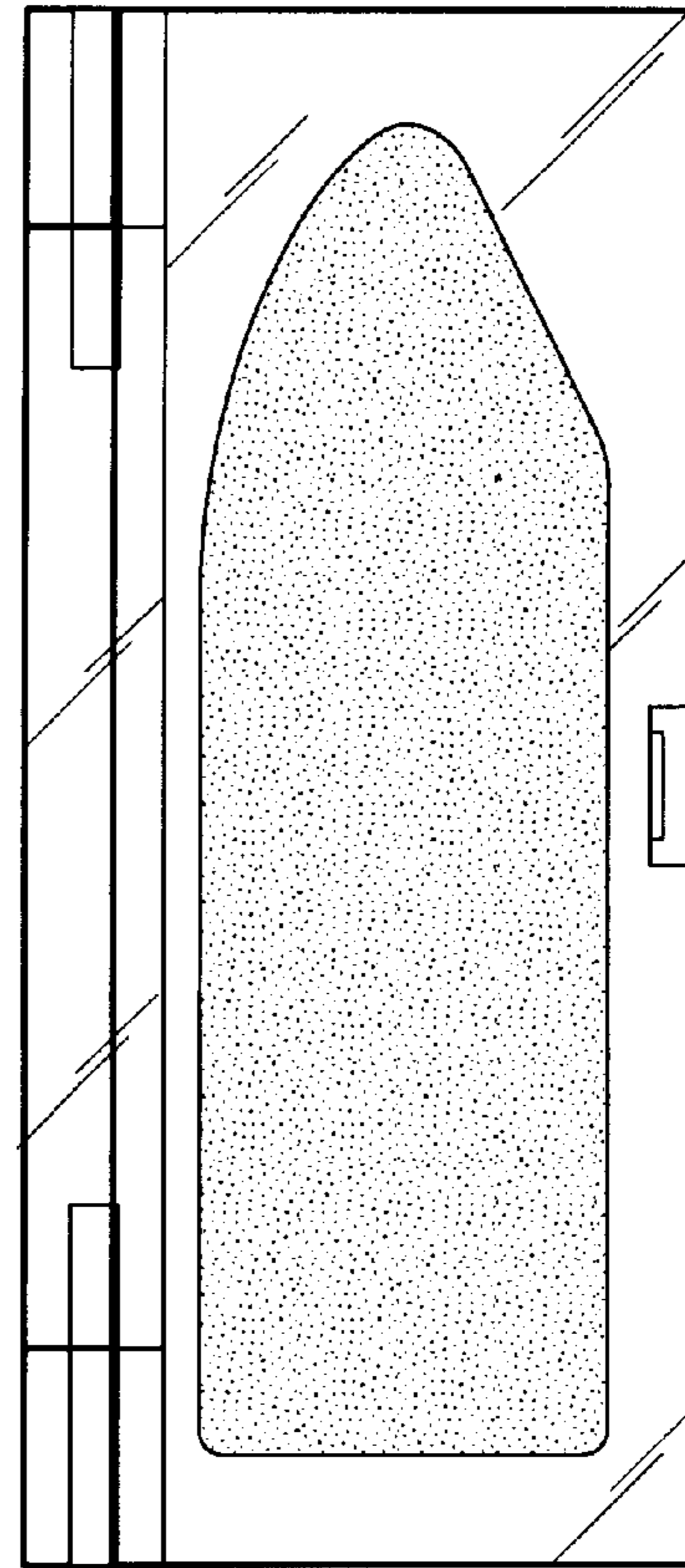




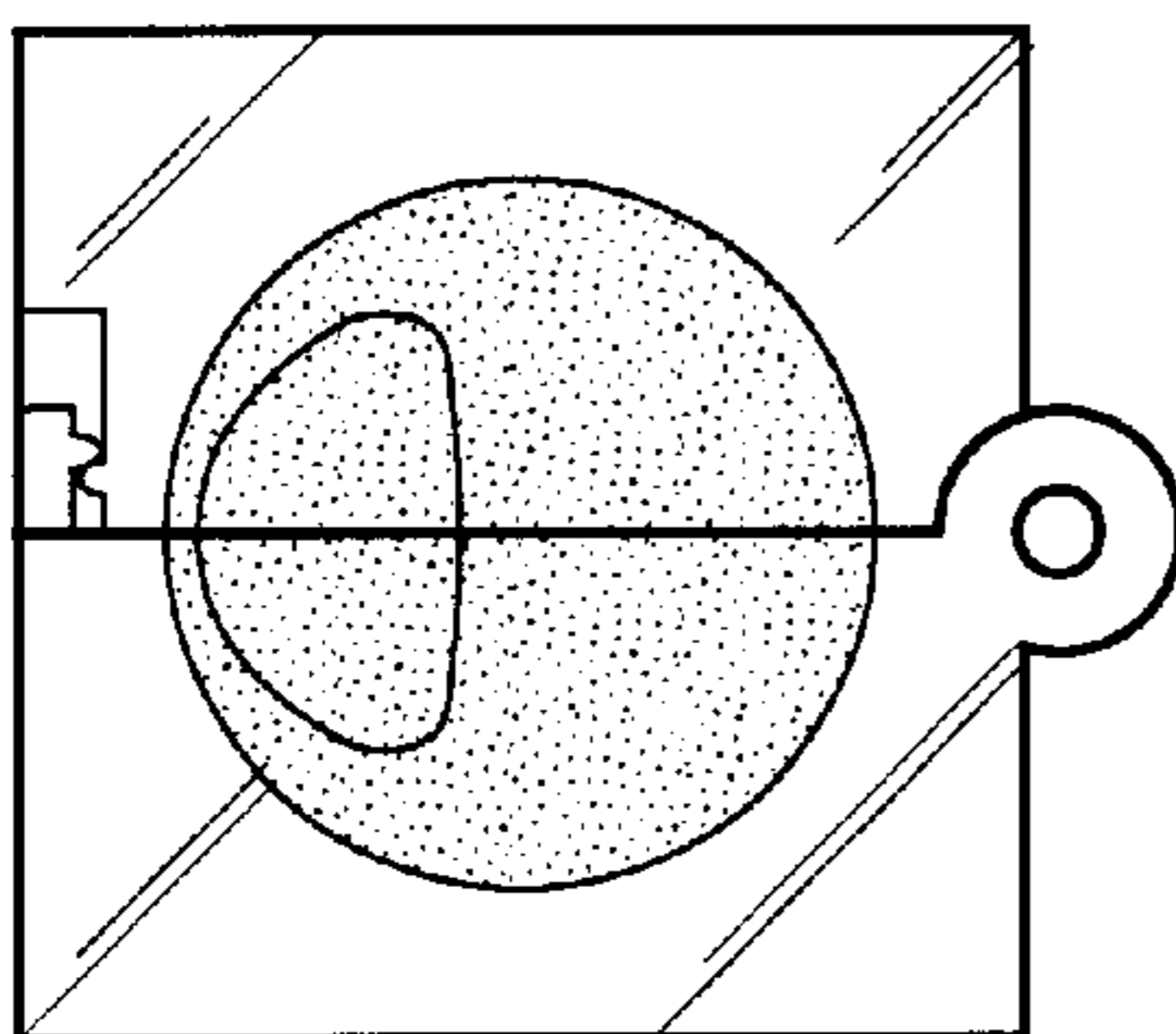
**FIG. 4**



**FIG. 5**



**FIG. 6**



**FIG. 7**

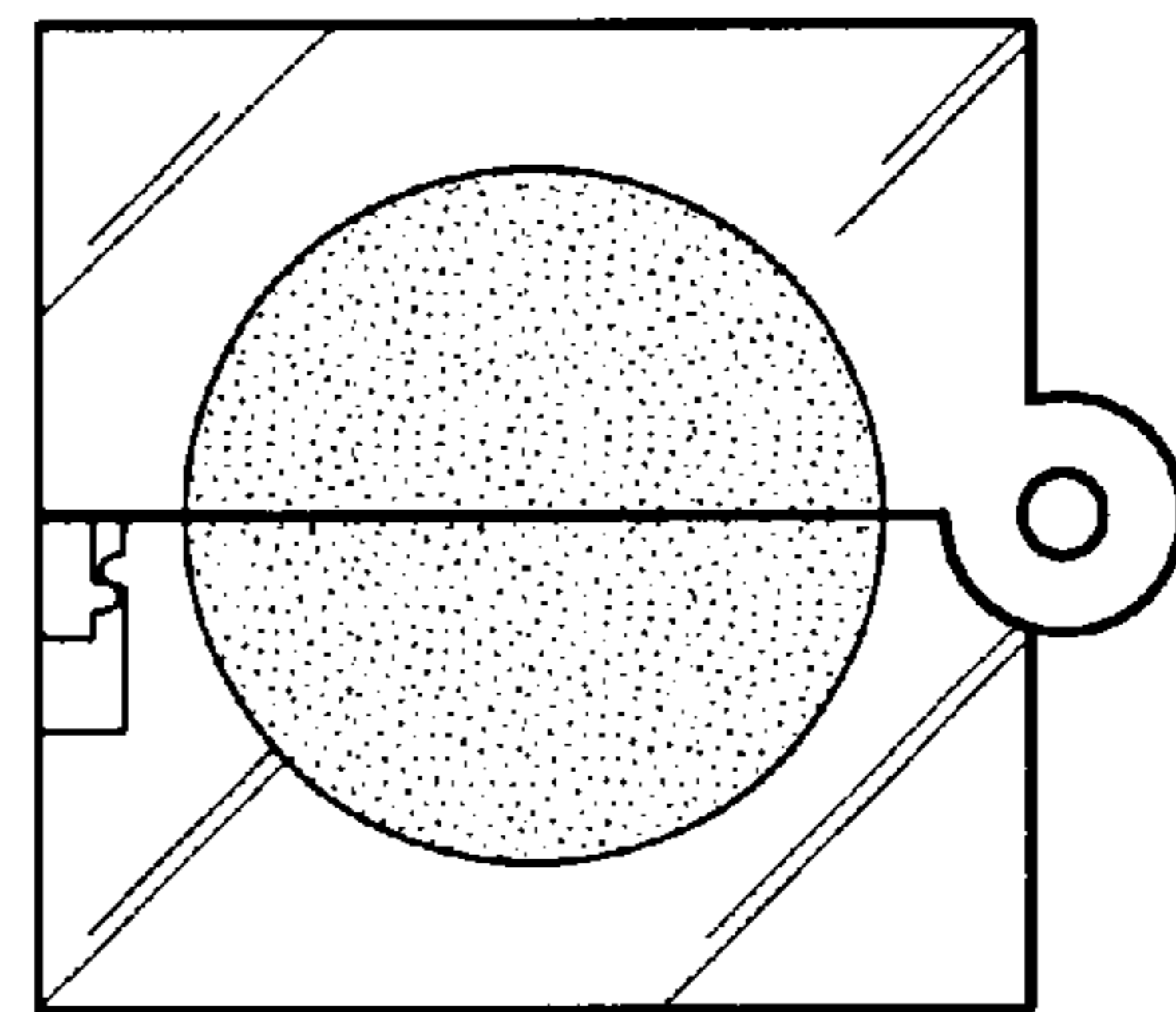


FIG. 8

